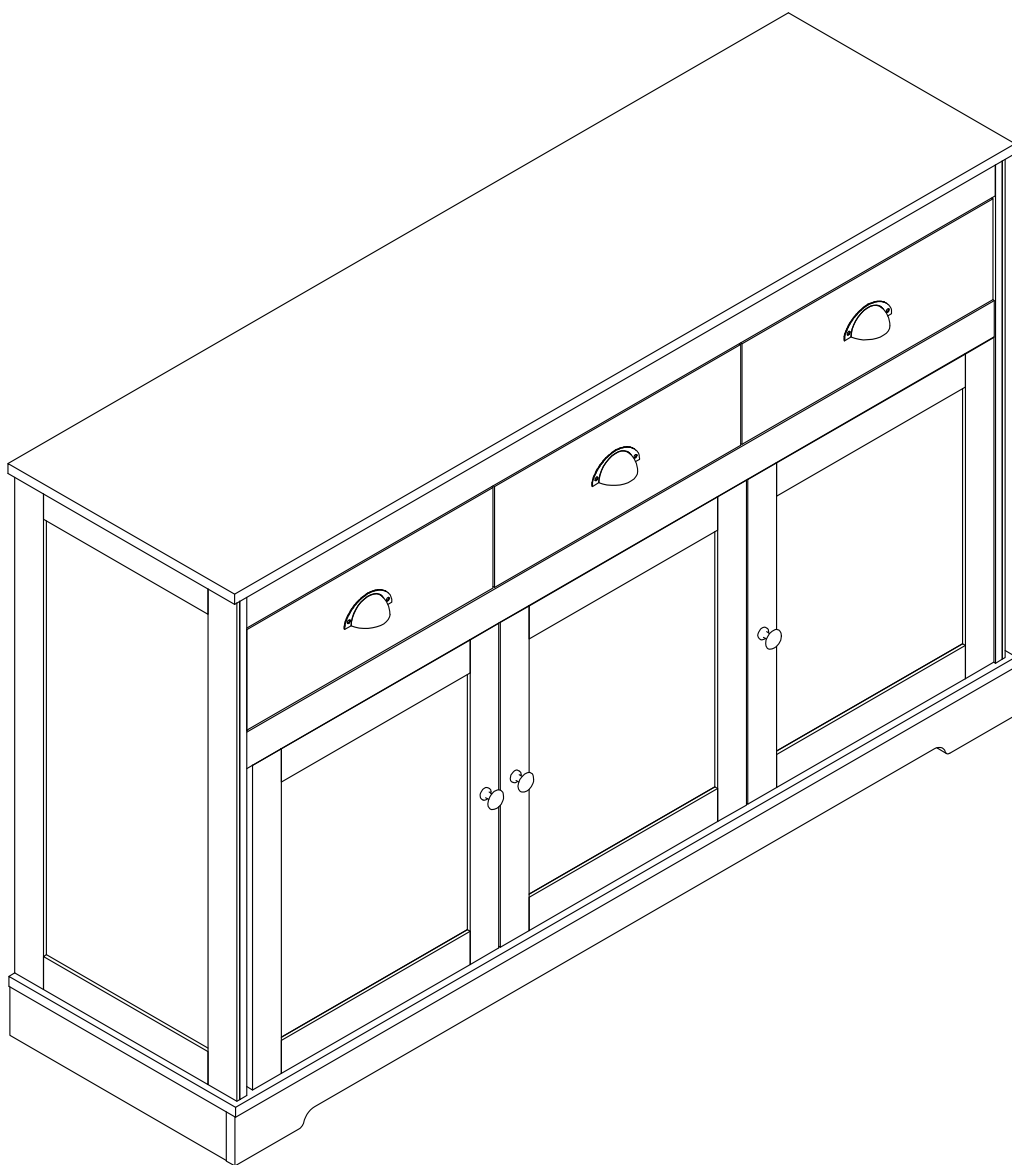
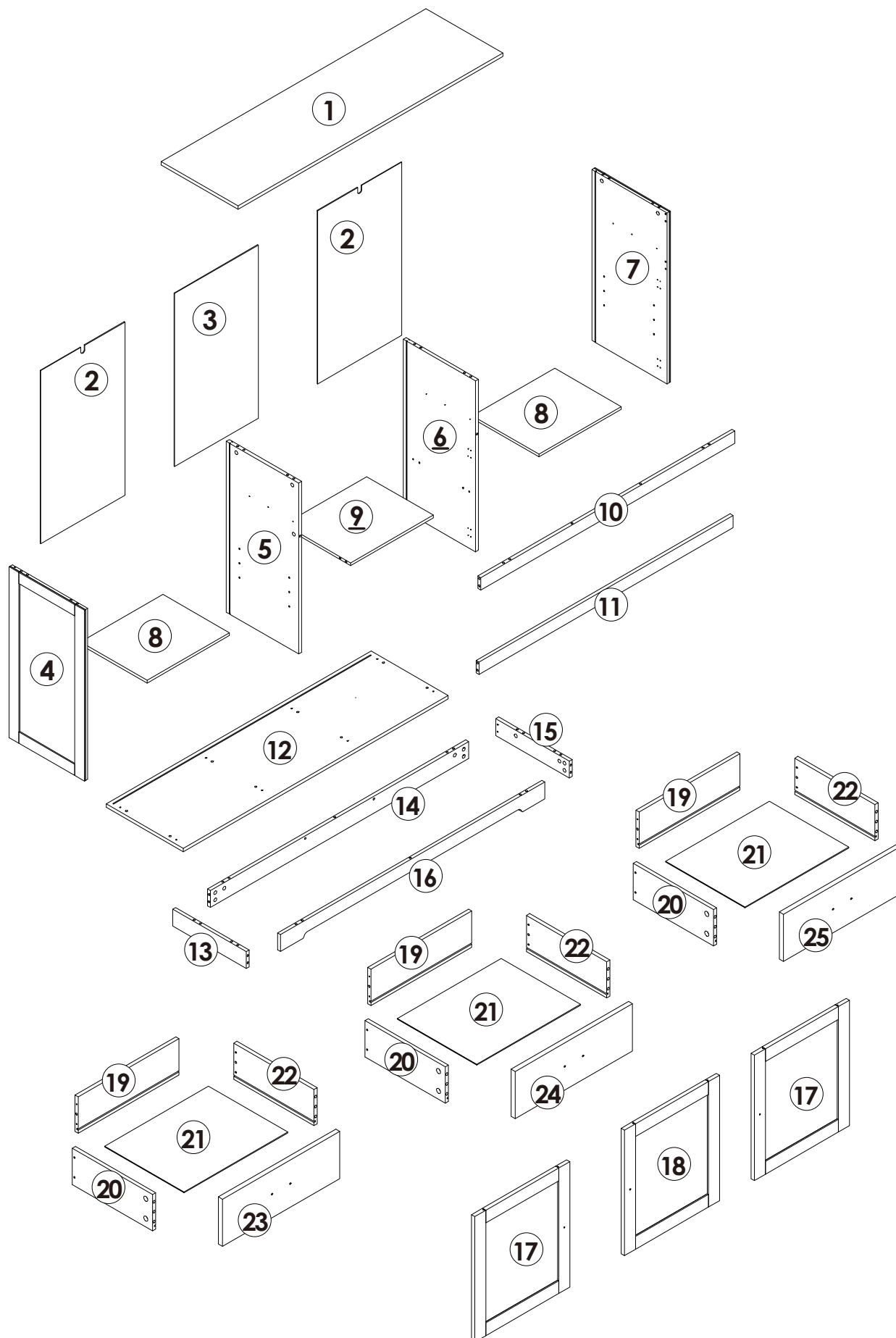


User's Manual





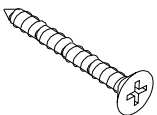
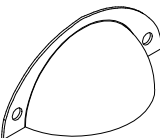
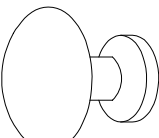


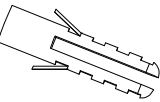

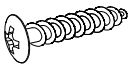

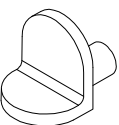

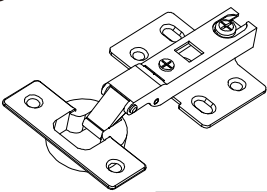
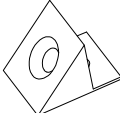
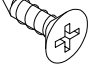
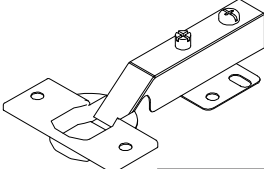
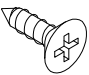

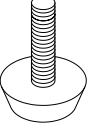
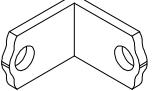
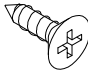
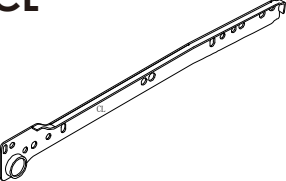
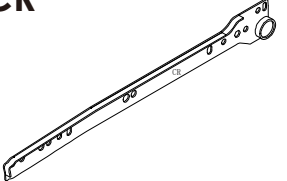
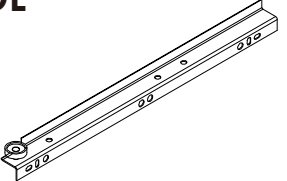
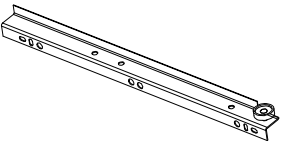
Kitchen island



Parts List(EN) / Teile Liste(DE)

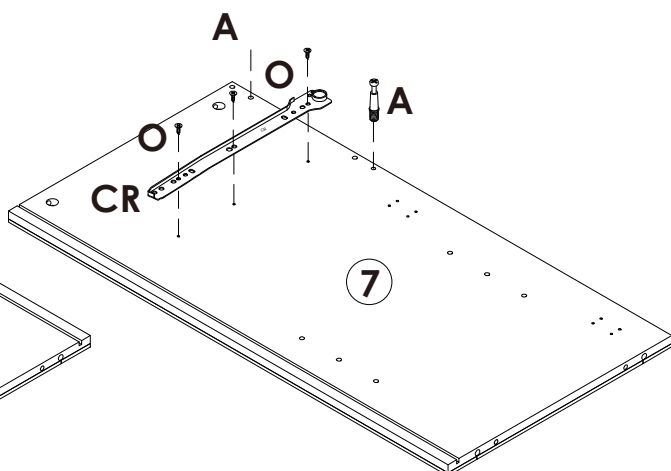
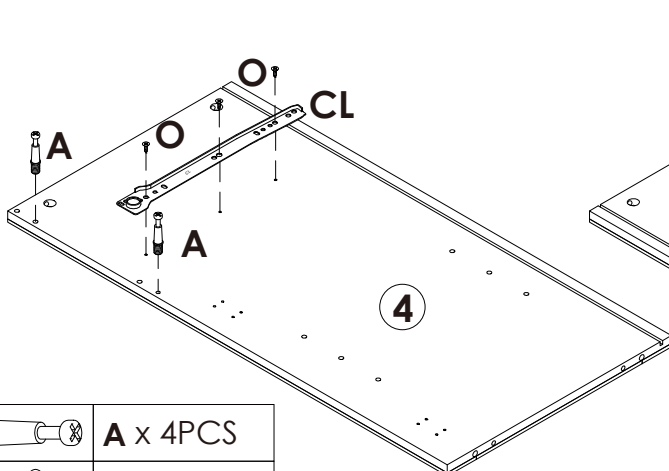
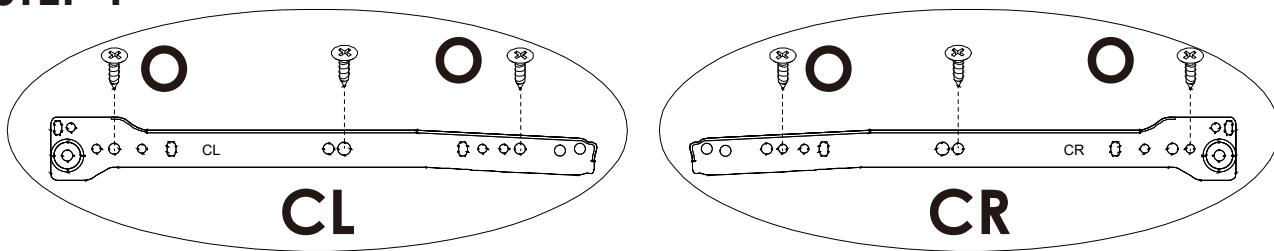


Parts List(EN) / Teile Liste(DE)

<p>A</p>  <p>M6×32mm 50+2PCS</p>	<p>B</p>  <p>Φ15×9.5mm 50+2PCS</p>	<p>C</p>  <p>Φ6×30mm 48+2PCS</p>	<p>D</p>  <p>M4×45mm 8+1PCS</p>
<p>E</p>  <p>M4×38mm 12+1PCS</p>	<p>F</p>  <p>3PCS</p>	<p>G</p>  <p>3PCS</p>	<p>H</p>  <p>M4×20mm 3PCS</p>
<p>I</p>  <p>2PCS</p>	<p>J</p>  <p>2PCS</p>	<p>K</p>  <p>M4×12mm 2PCS</p>	<p>L</p>  <p>M4×32mm 2PCS</p>
<p>M</p>  <p>Φ21mm 10+1PCS</p>	<p>N</p>  <p>8+1PCS</p>	<p>O</p>  <p>M3.5×12mm 66+2PCS</p>	<p>P</p>  <p>4PCS</p>
<p>Q</p>  <p>14+1PCS</p>	<p>R</p>  <p>M3×14mm 14+1PCS</p>	<p>S</p>  <p>2PCS</p>	<p>T</p>  <p>M3×14mm 6PCS</p>
<p>U</p>  <p>1PC</p>	<p>V</p>  <p>1PC</p>	<p>W</p>  <p>4PCS</p>	<p>X</p>  <p>M3.5×14mm 8+1PCS</p>
<p>CL</p>  <p>L300mm 3PCS</p>	<p>CR</p>  <p>L300mm 3PCS</p>	<p>DL</p>  <p>L300mm 3PCS</p>	<p>DR</p>  <p>L300mm 3PCS</p>

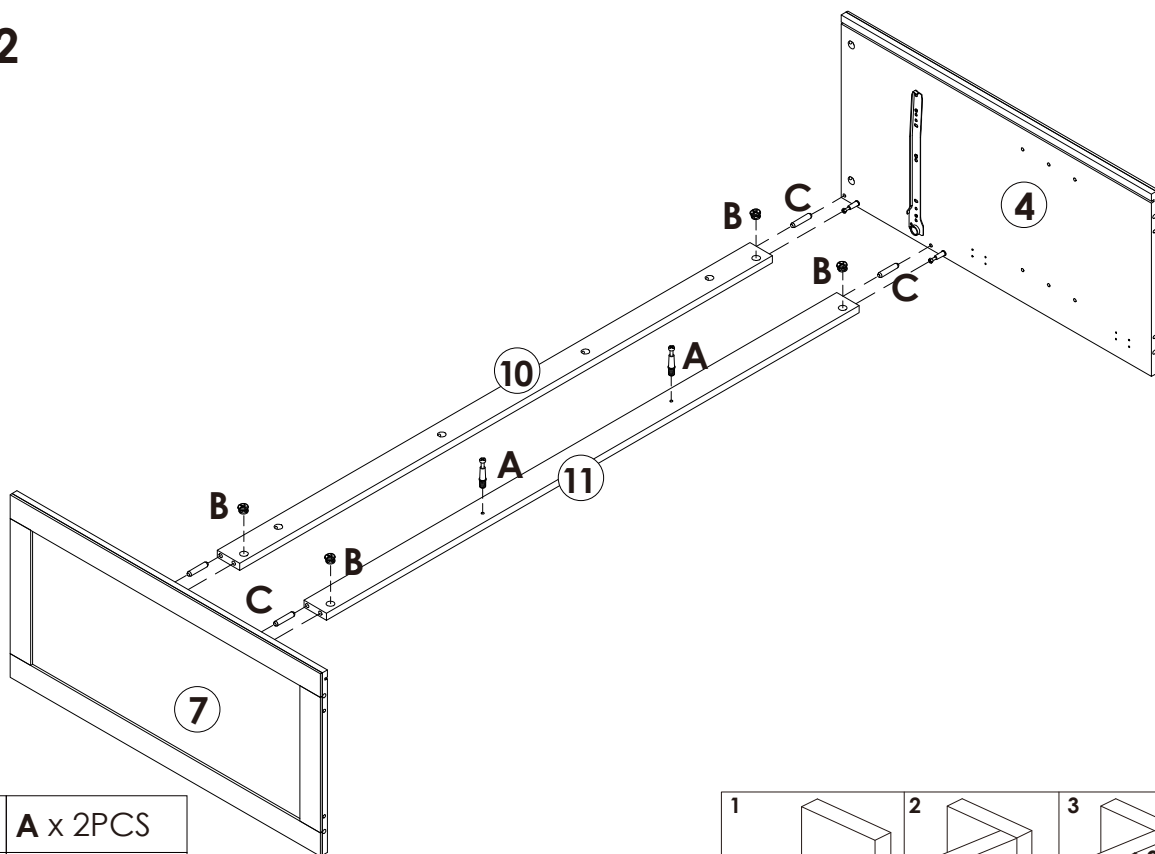
Assembly Steps(EN) / Montageschritte(DE)

STEP 1

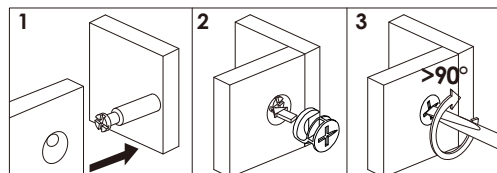


	A x 4PCS
	O x 6PCS
	CL x 1PC
	CR x 1PC

STEP 2

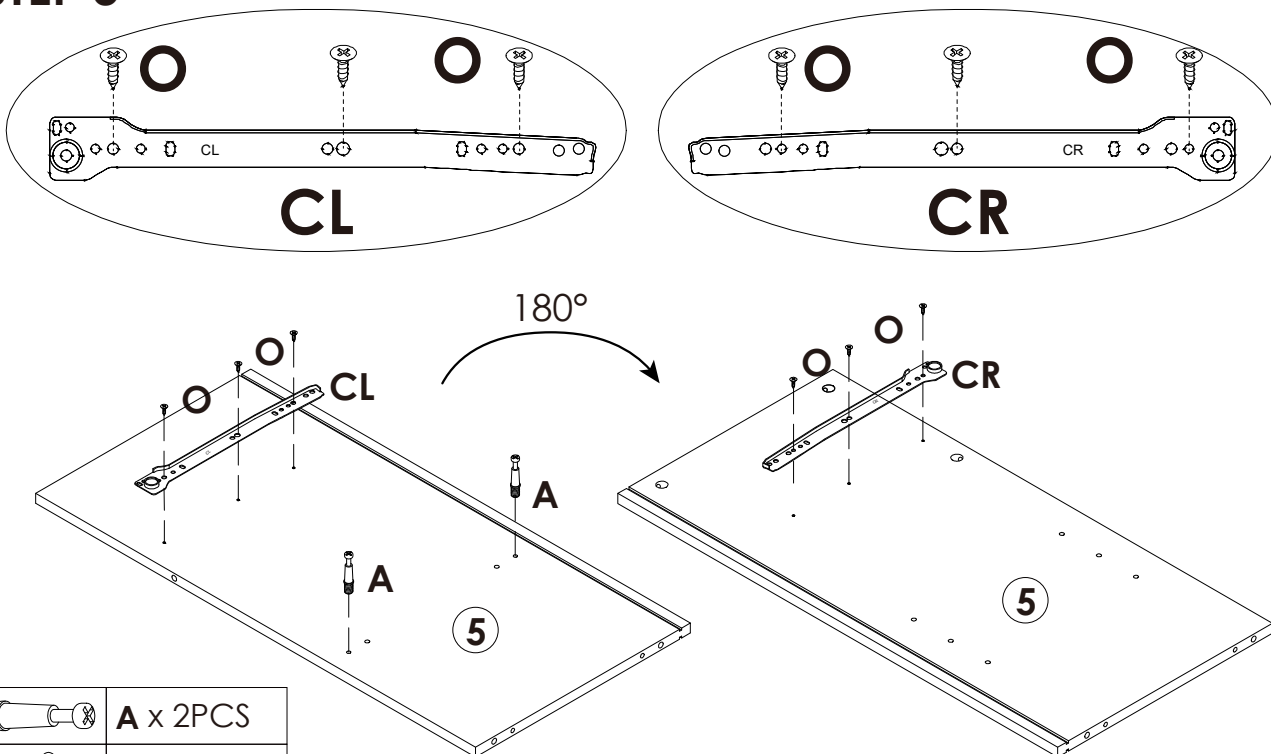


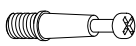



	A x 2PCS
	B x 4PCS
	C x 4PCS



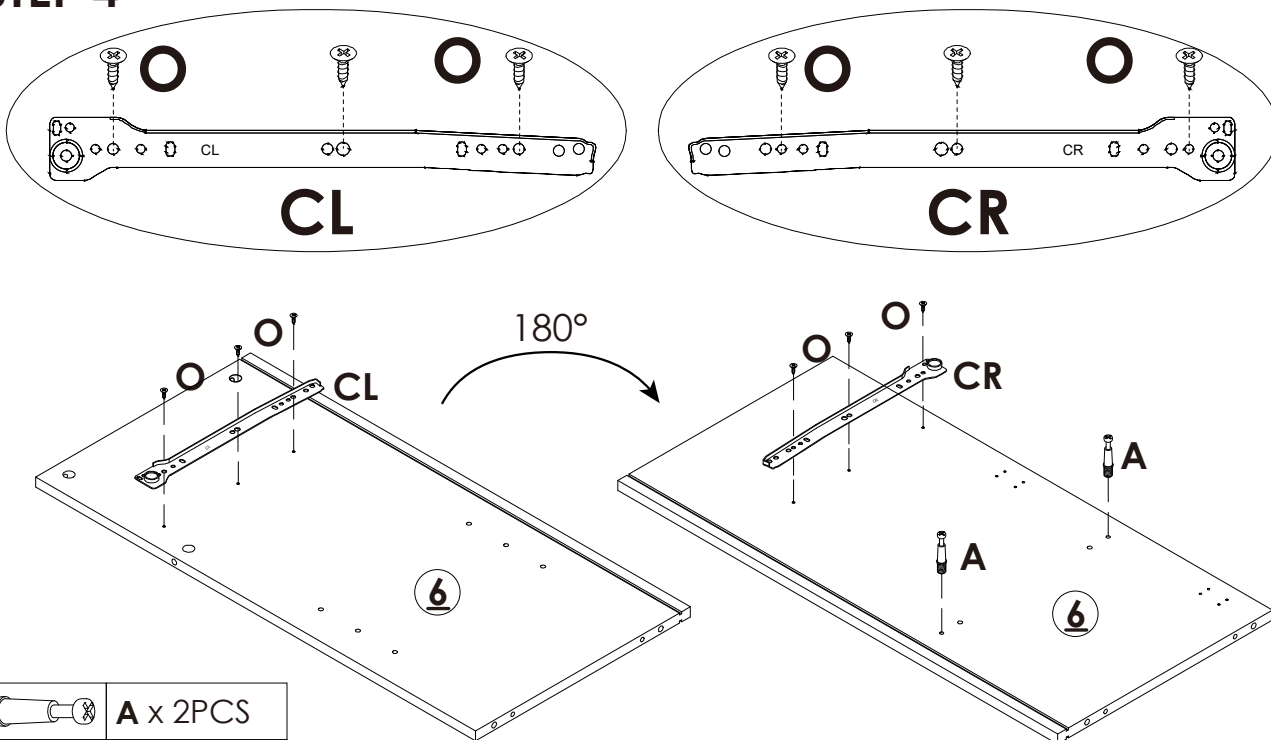
Assembly Steps(EN) / Montageschritte(DE)

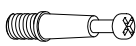



STEP 3



	A x 2PCS
	O x 6PCS
	CL x 1PC
	CR x 1PC

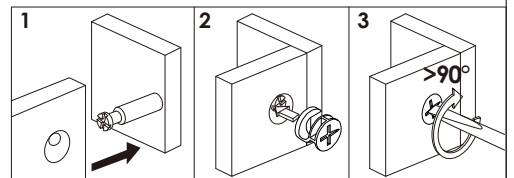
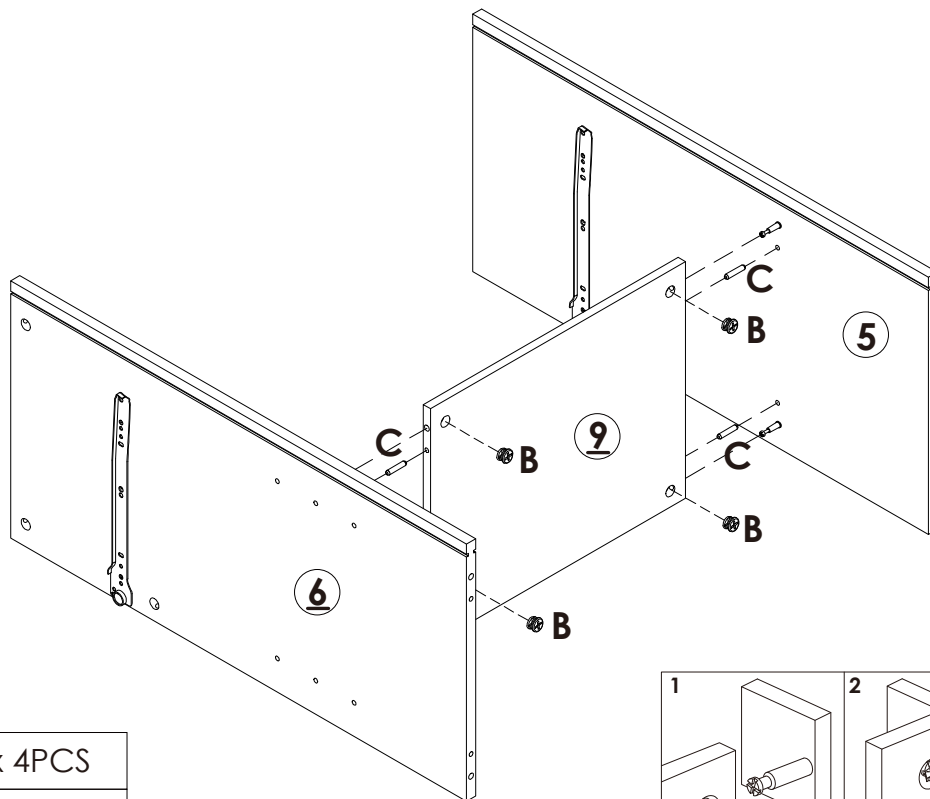
STEP 4

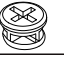
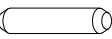


	A x 2PCS
	O x 6PCS
	CL x 1PC
	CR x 1PC

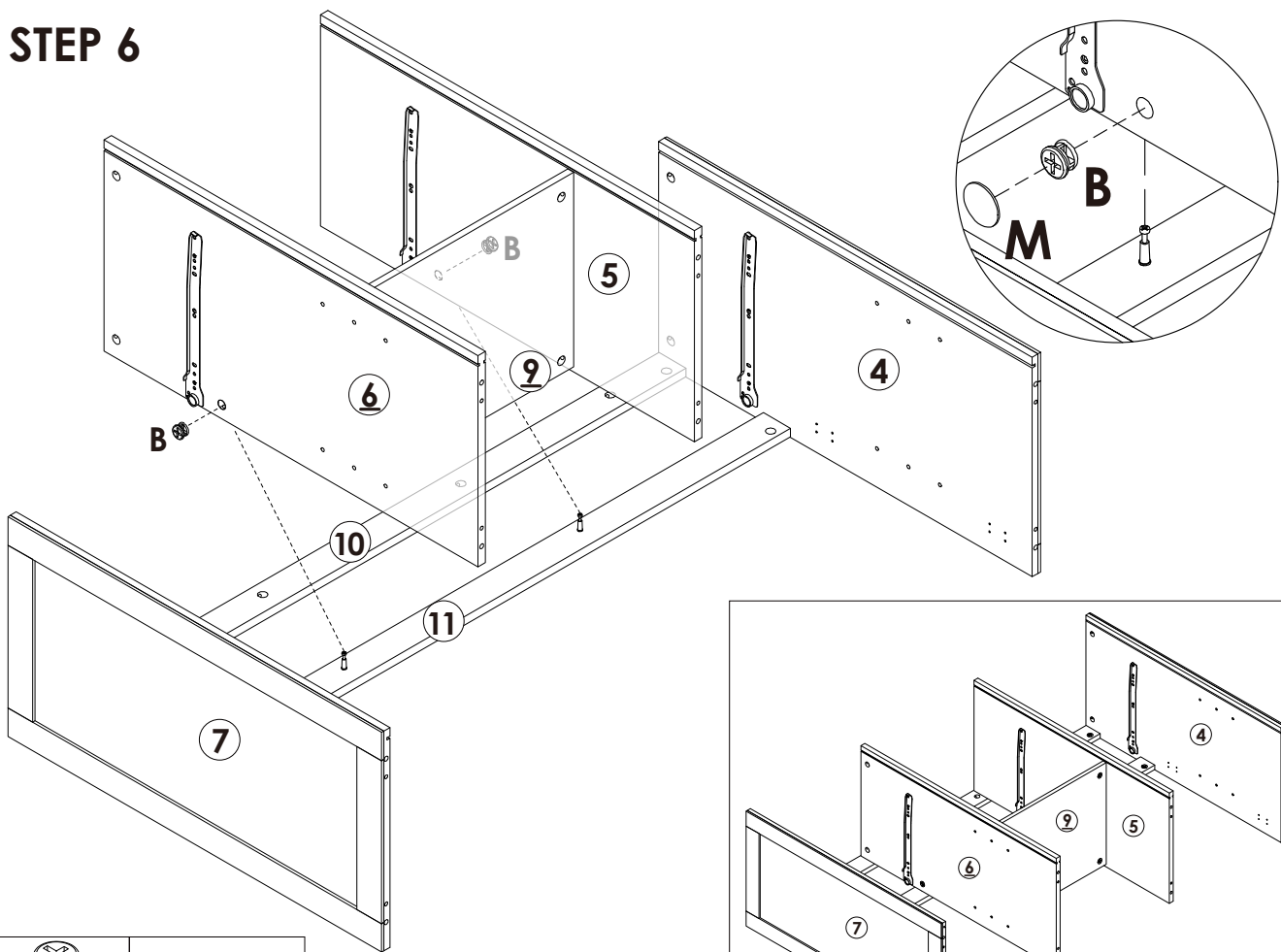
Assembly Steps(EN) / Montageschritte(DE)

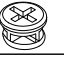

STEP 5



	B x 4PCS
	C x 4PCS

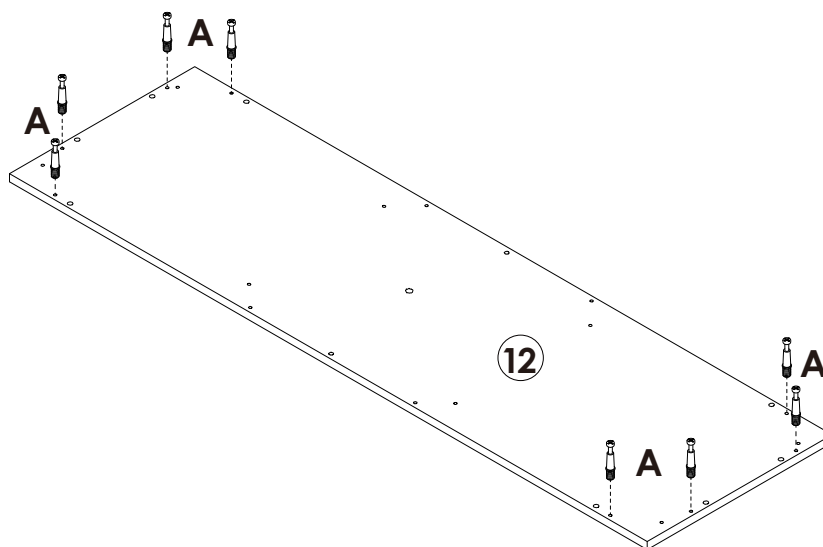
STEP 6



	B x 2PCS
	M x 2PCS

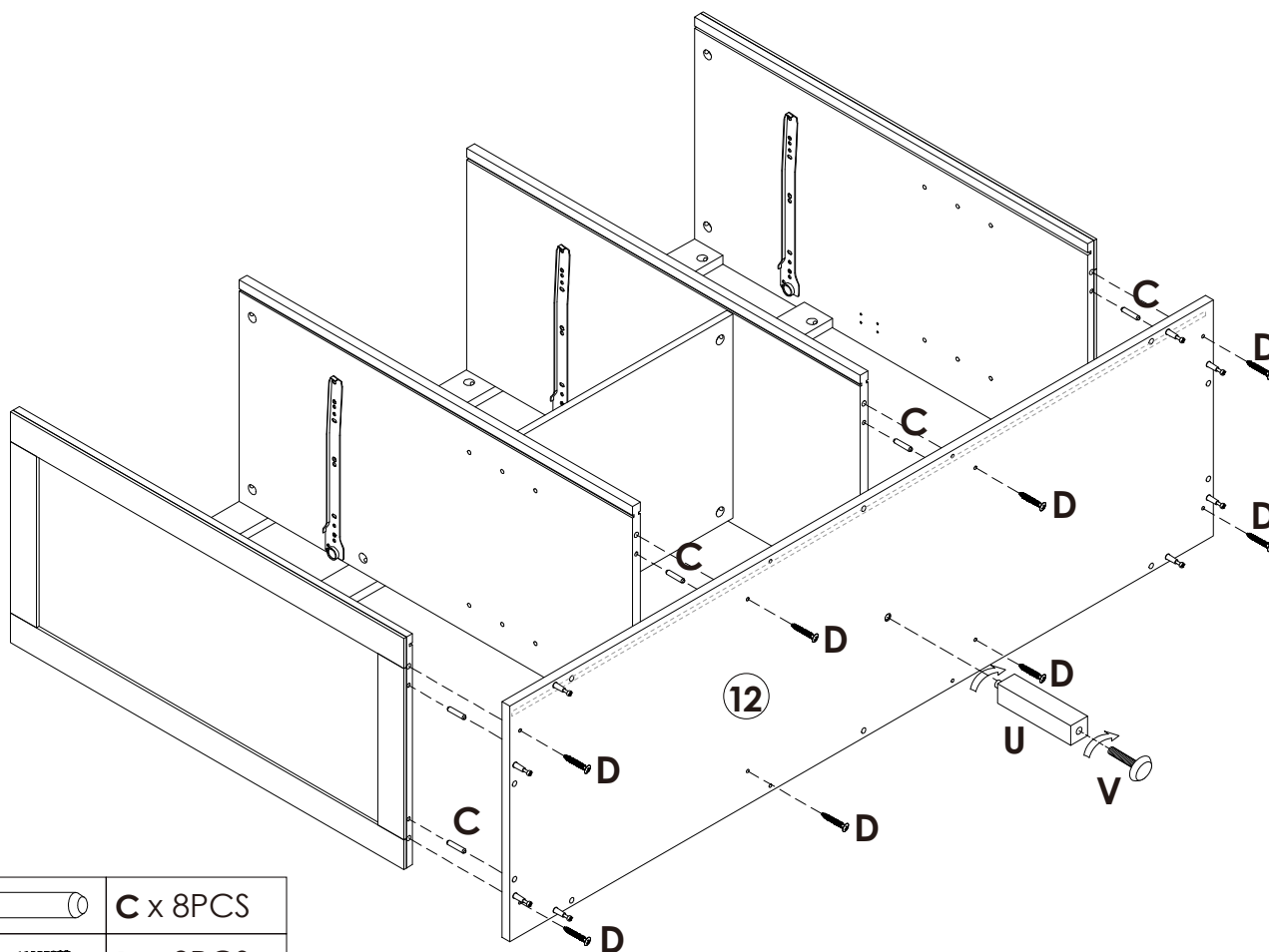
Assembly Steps(EN) / Montageschritte(DE)

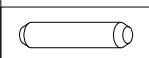

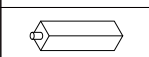
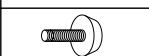
STEP 7



 A x 8PCS

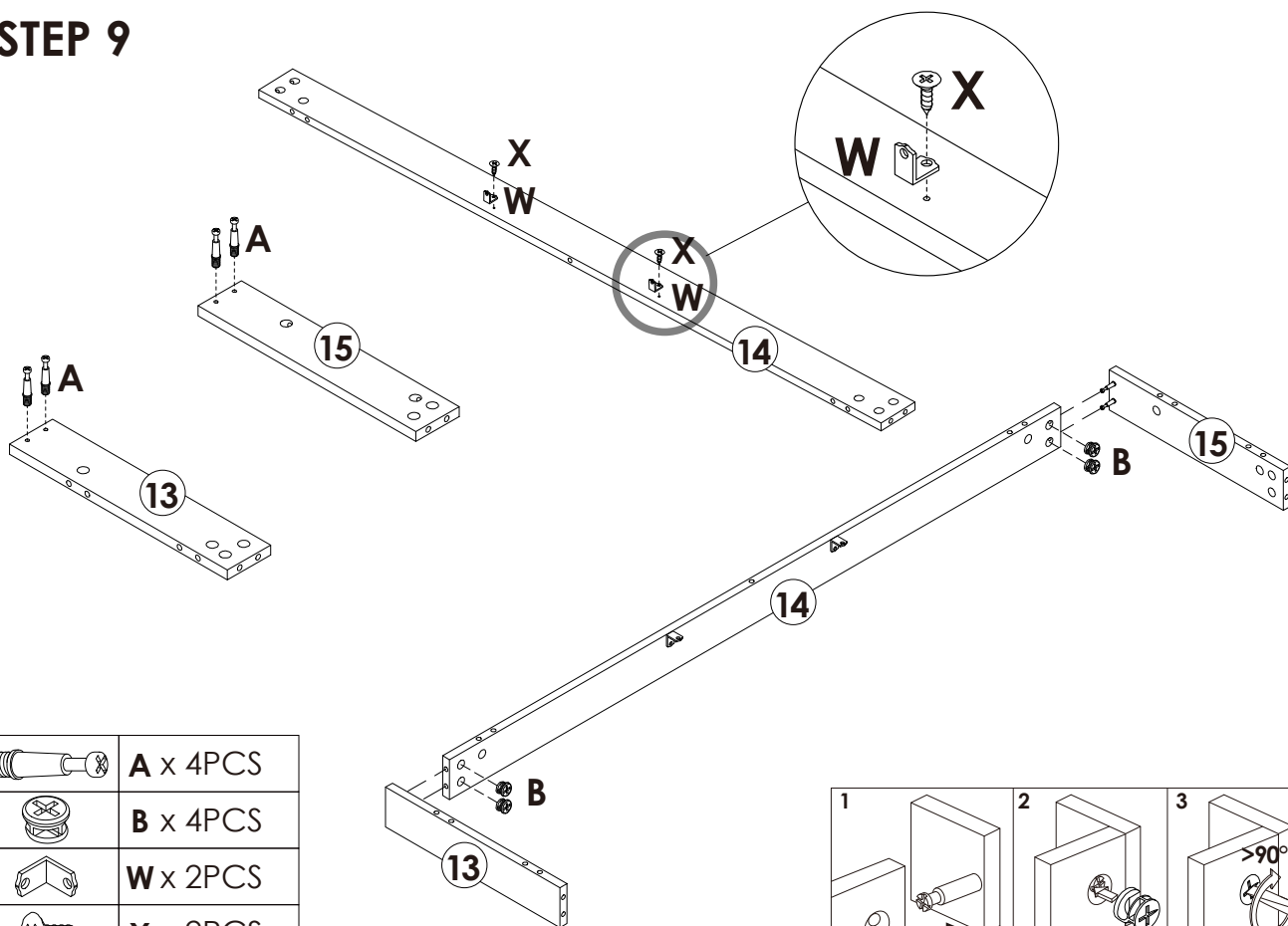
STEP 8



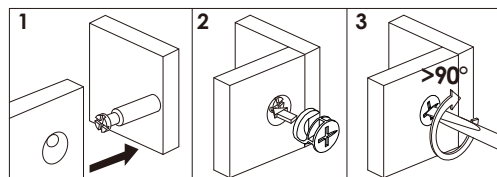
	C x 8PCS
	D x 8PCS
	U x 1PC
	V x 1PC

Assembly Steps(EN) / Montageschritte(DE)

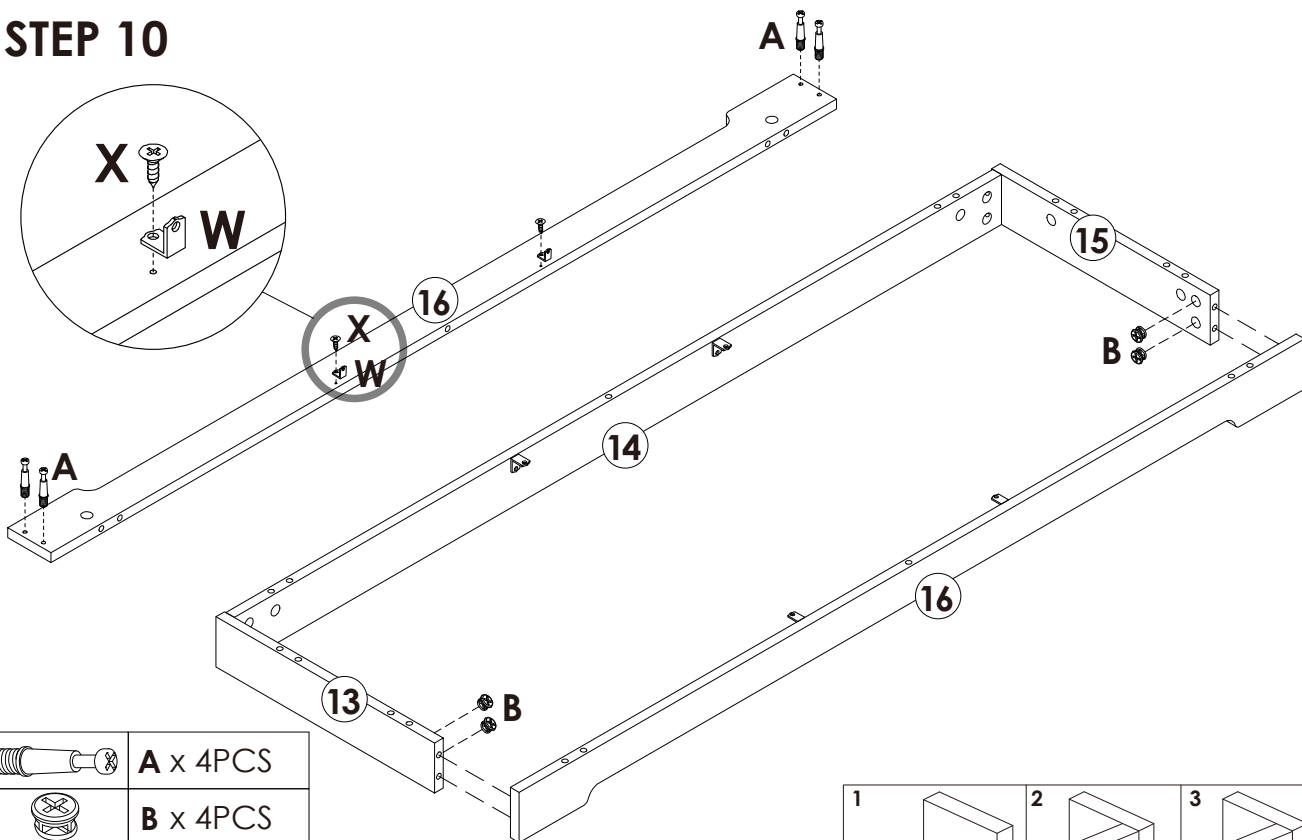
STEP 9



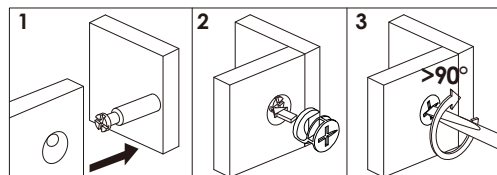
	A x 4PCS
	B x 4PCS
	W x 2PCS
	X x 2PCS



STEP 10

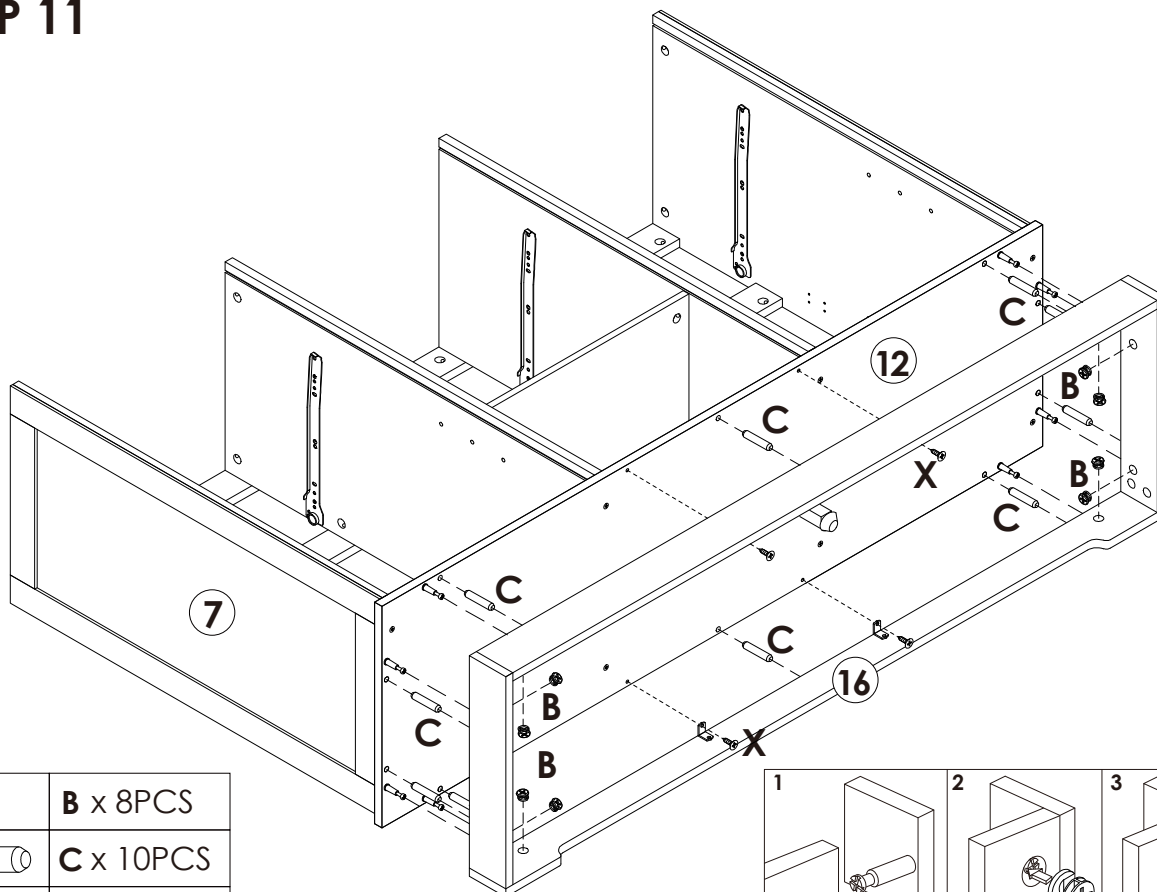





	A x 4PCS
	B x 4PCS
	W x 2PCS
	X x 2PCS

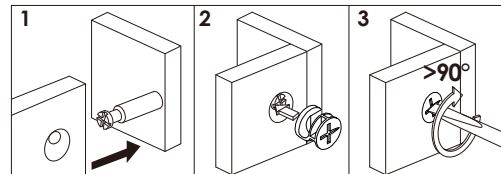


Assembly Steps(EN) / Montageschritte(DE)

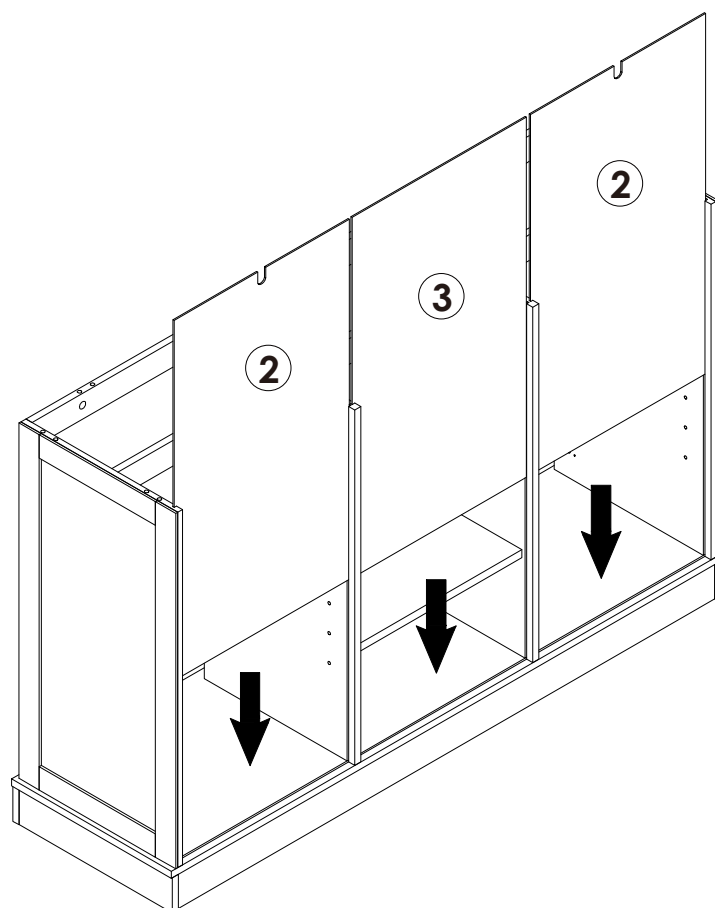
STEP 11



	B x 8PCS
	C x 10PCS
	X x 4PCS



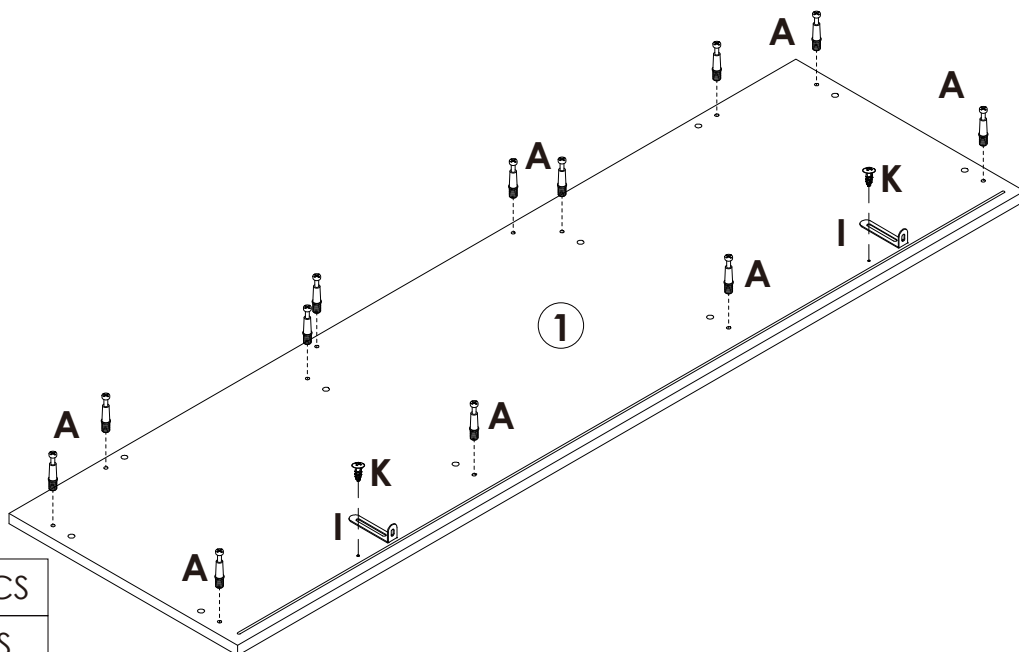
STEP 12

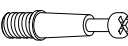




Assembly Steps(EN) / Montageschritte(DE)

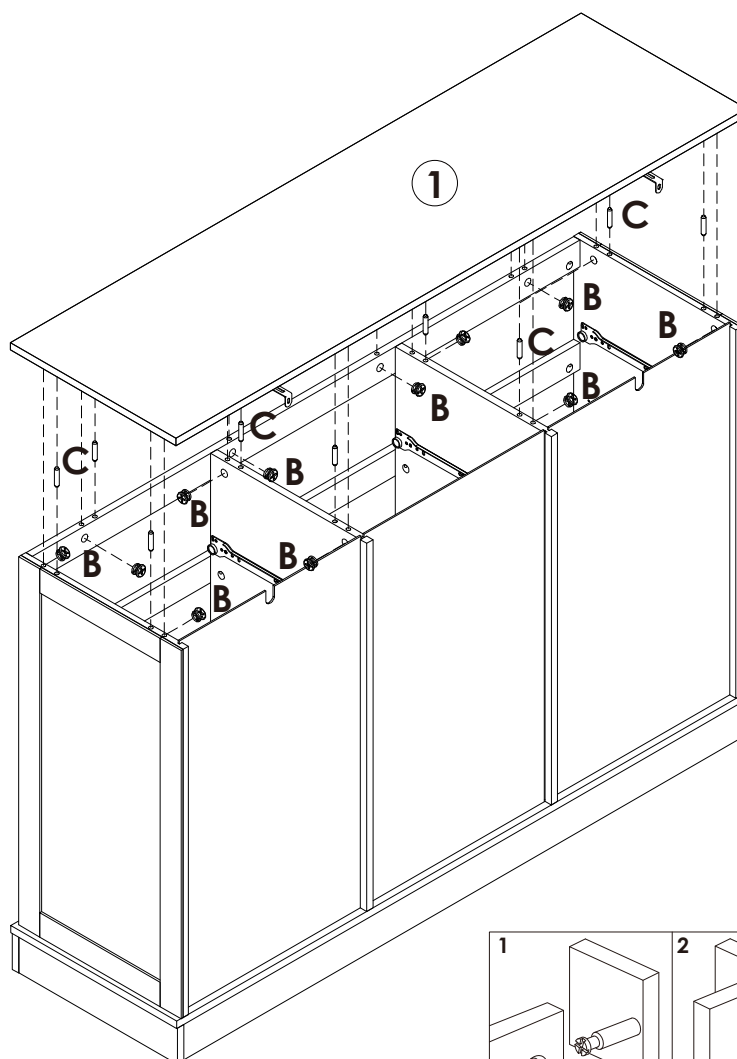
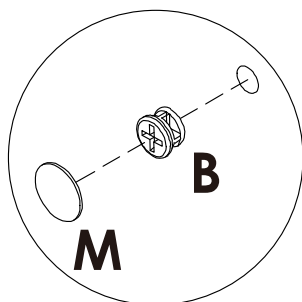
STEP 13




Please refer to the installation method and position on Step 13 - Lock the long side of the "I" L-shaped metal plate to the ① board with the "K" short screw.

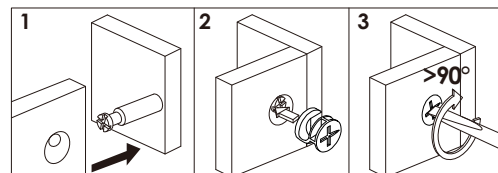


	A x 12PCS
	I x 2PCS
	K x 2PCS

STEP 14

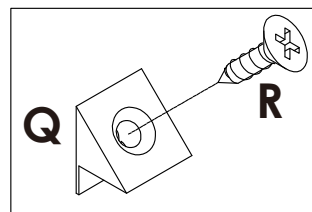
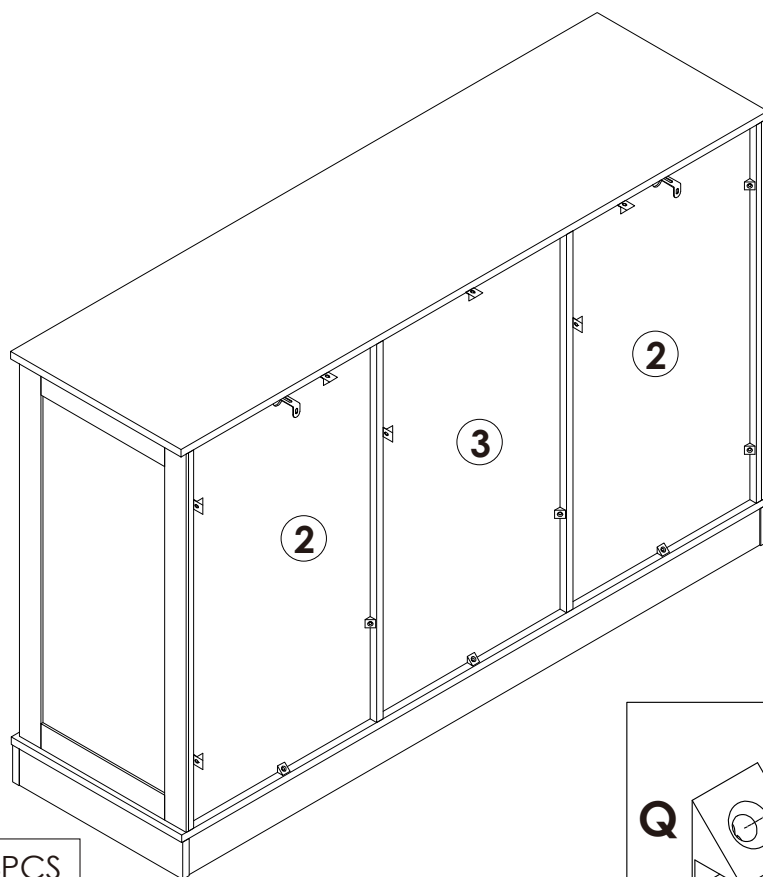




	B x 12PCS
	C x 10PCS
	M x 8PCS



Assembly Steps(EN) / Montageschritte(DE)

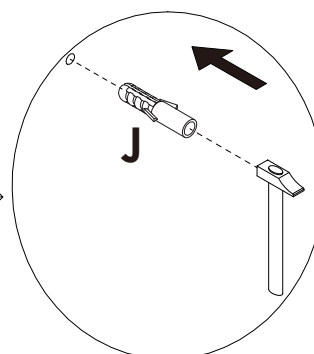
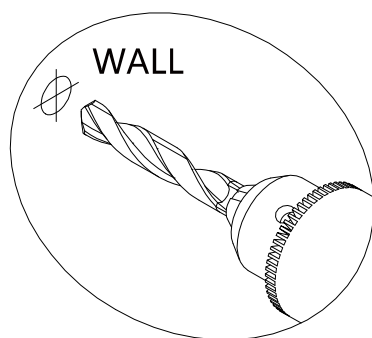
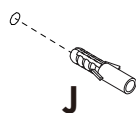
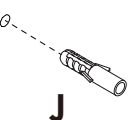
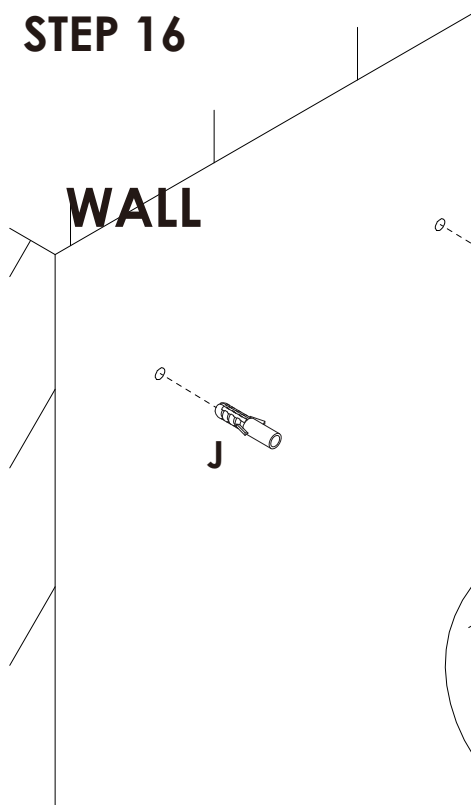
STEP 15



	R x 14PCS
	Q x 14PCS

STEP 16

Please refer to Step 16 - Drill 2 holes in the wall at the required height and position for anti-falling device after product installed, and then put the "J" plastic part into the hole.



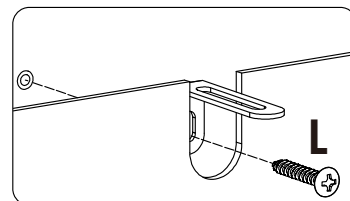
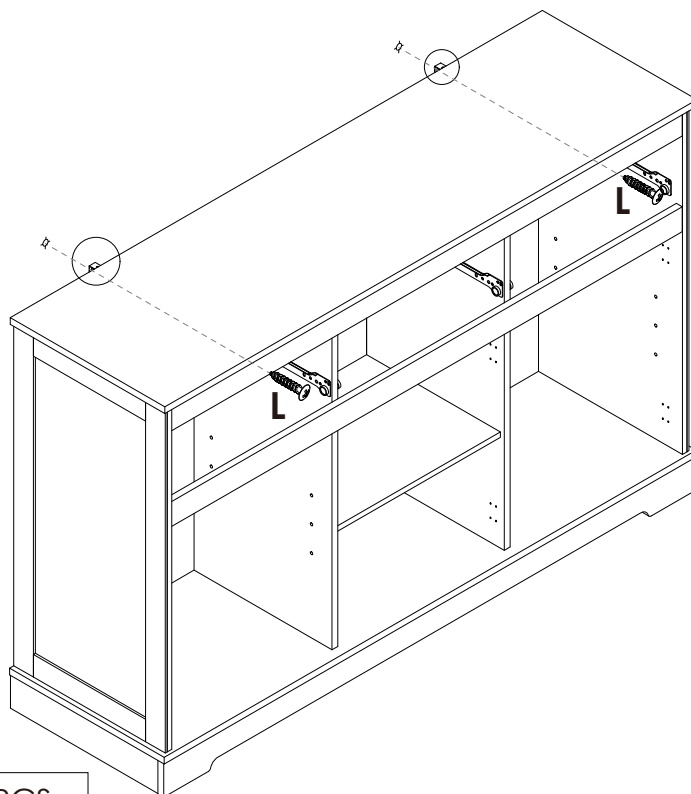
	J x 2PCS
---	----------

Assembly Steps(EN) / Montageschritte(DE)

STEP 17

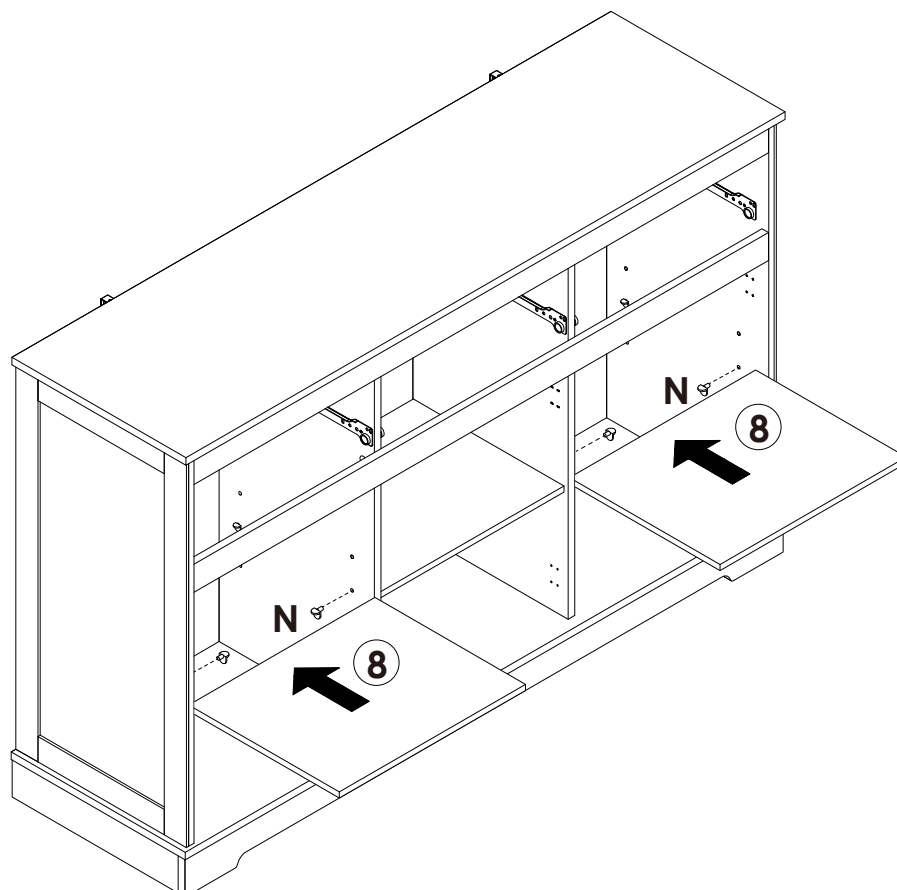
Move the cabinet to the appropriate position, and then use the "L" long screw to lock the plastic part in the wall through the holes of L-shaped metal plate.

WALL



L x 2PCS

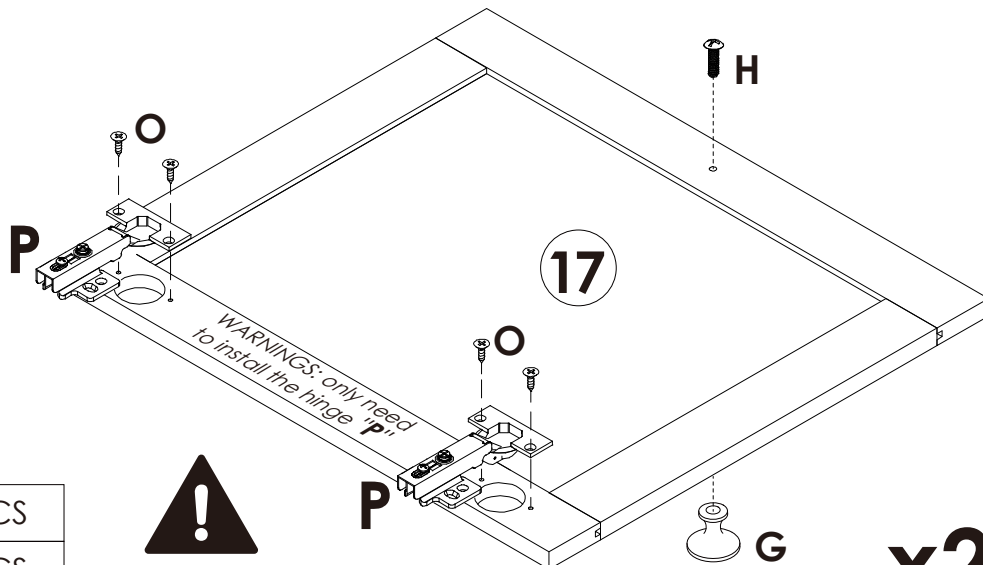
STEP 18



N x 8PCS

Assembly Steps(EN) / Montageschritte(DE)

STEP 19

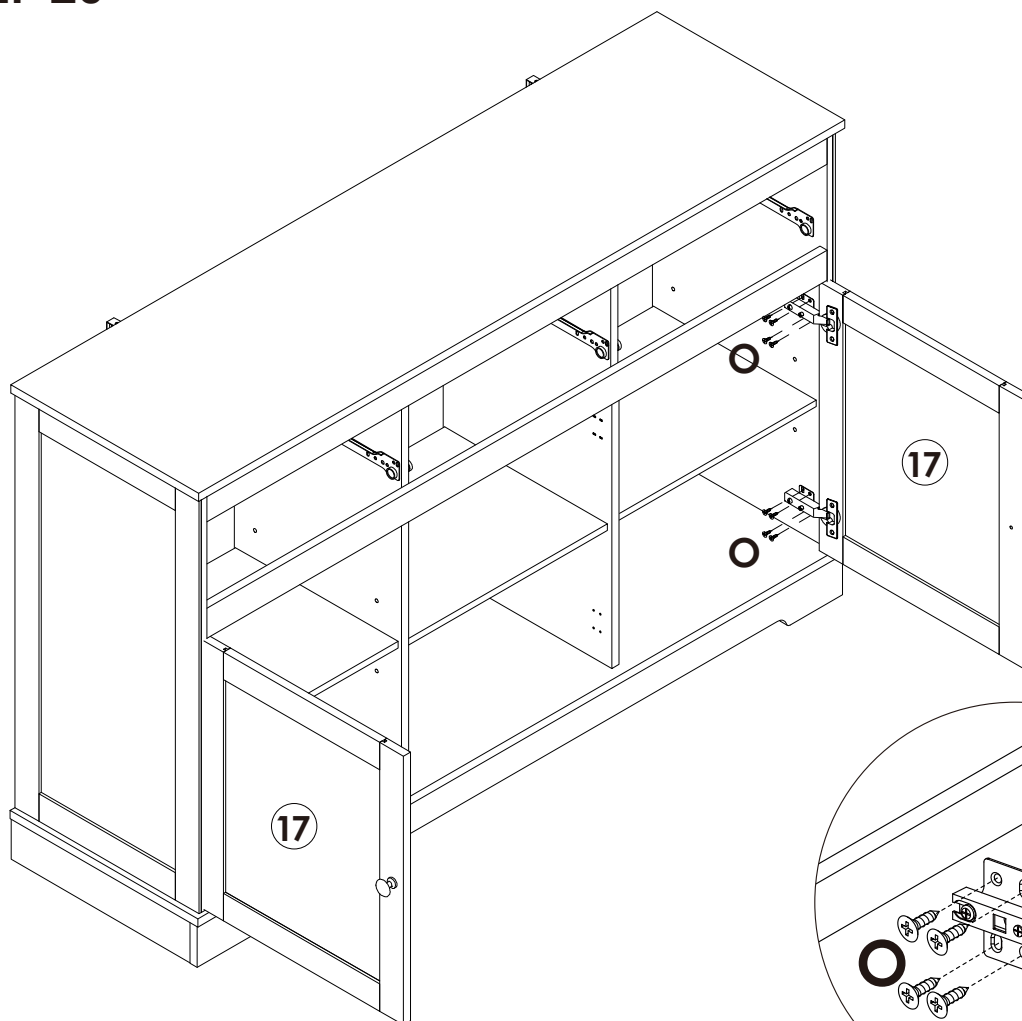


	G x 2PCS
	H x 2PCS
	O x 8PCS
	P x 4PCS

! WARNINGS: only need to install the hinge "P"

x2

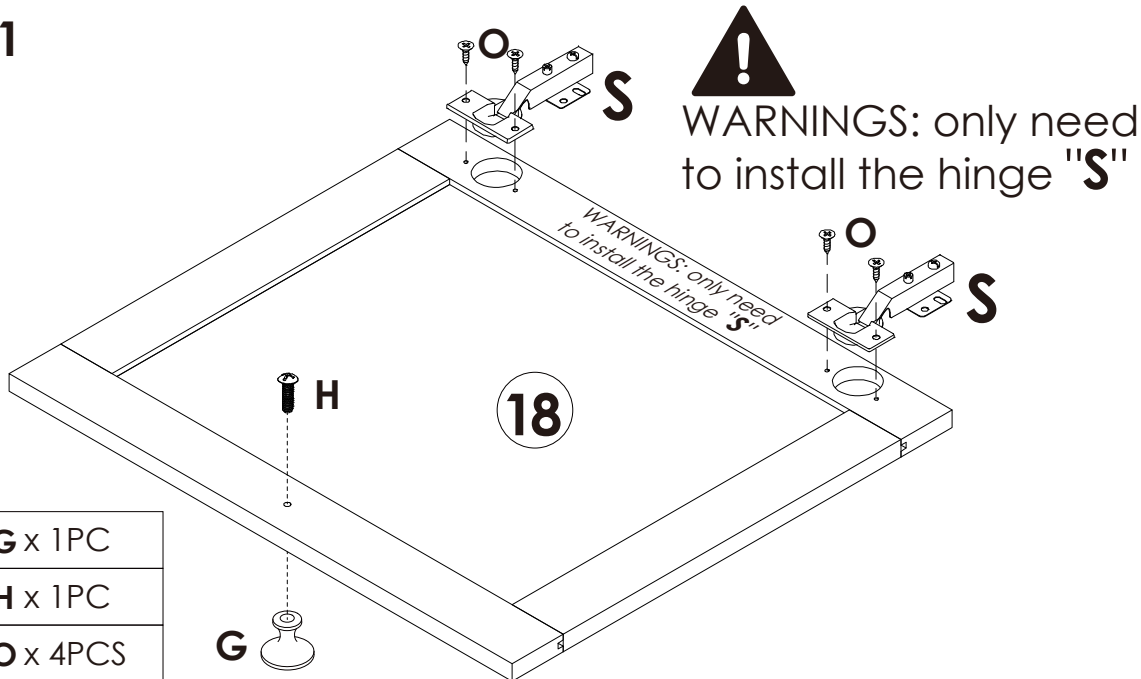
STEP 20



	O x 16PCS
--	------------------

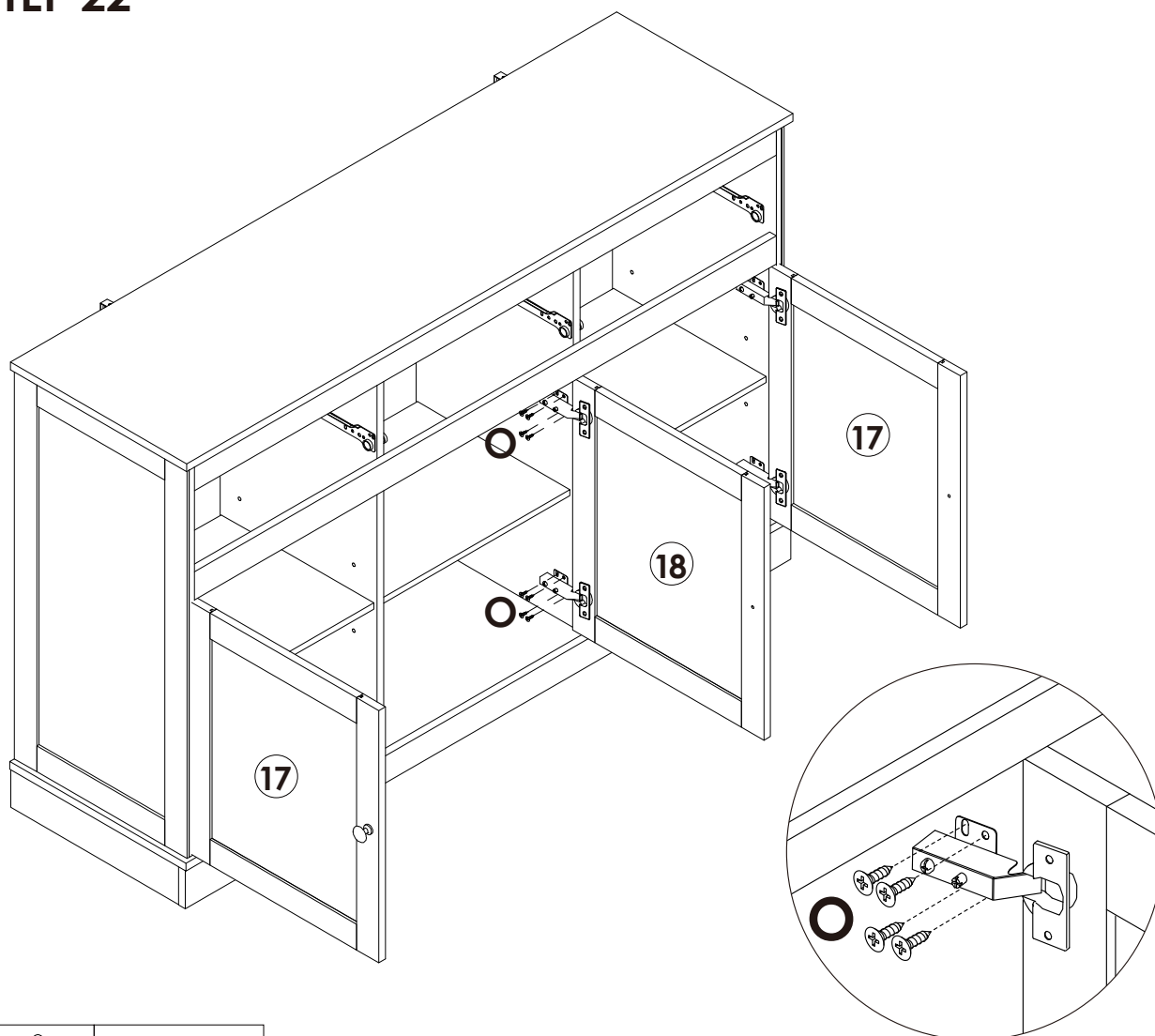
Assembly Steps(EN) / Montageschritte(DE)

STEP 21



	G x 1PC
	H x 1PC
	O x 4PCS
	S x 2PCS

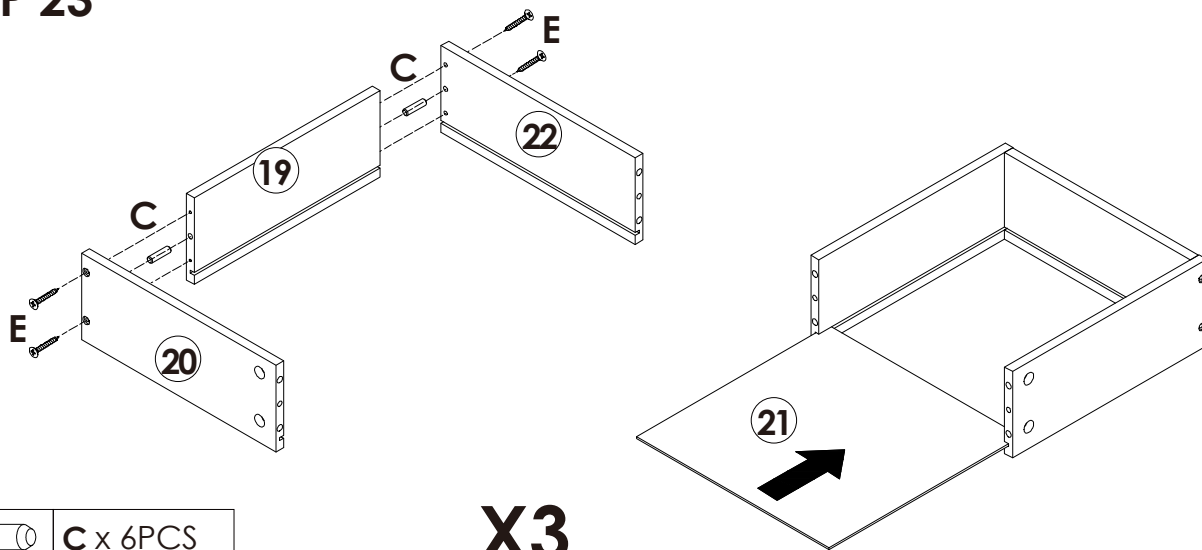
STEP 22



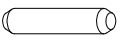

	O x 8PCS
--	-----------------

Assembly Steps(EN) / Montageschritte(DE)

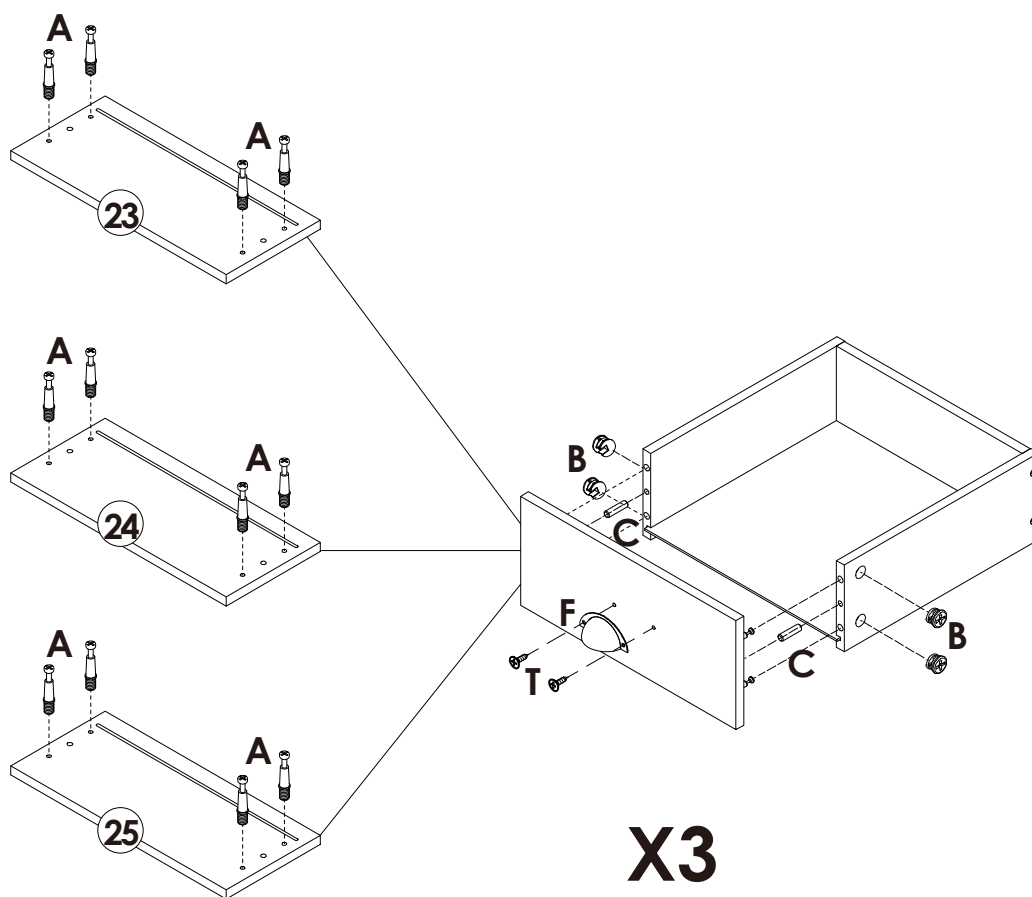
STEP 23








X3

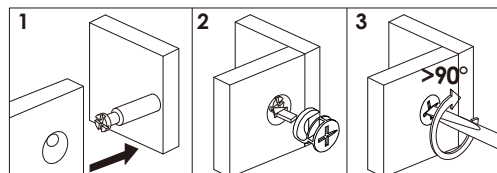
	C x 6PCS
	E x 12PCS

STEP 24



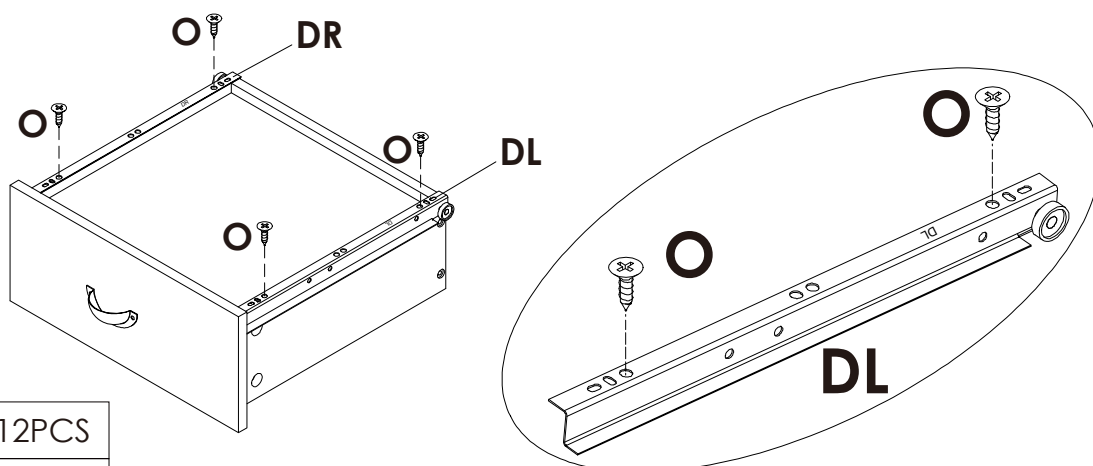
X3




	A x 12PCS
	B x 12PCS
	C x 6PCS
	F x 3PCS
	T x 6PCS



Assembly Steps(EN) / Montageschritte(DE)

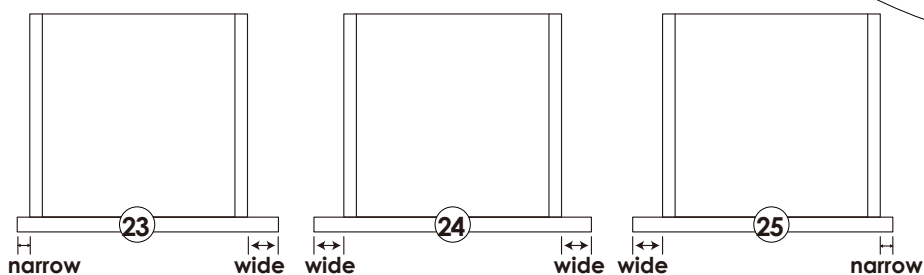
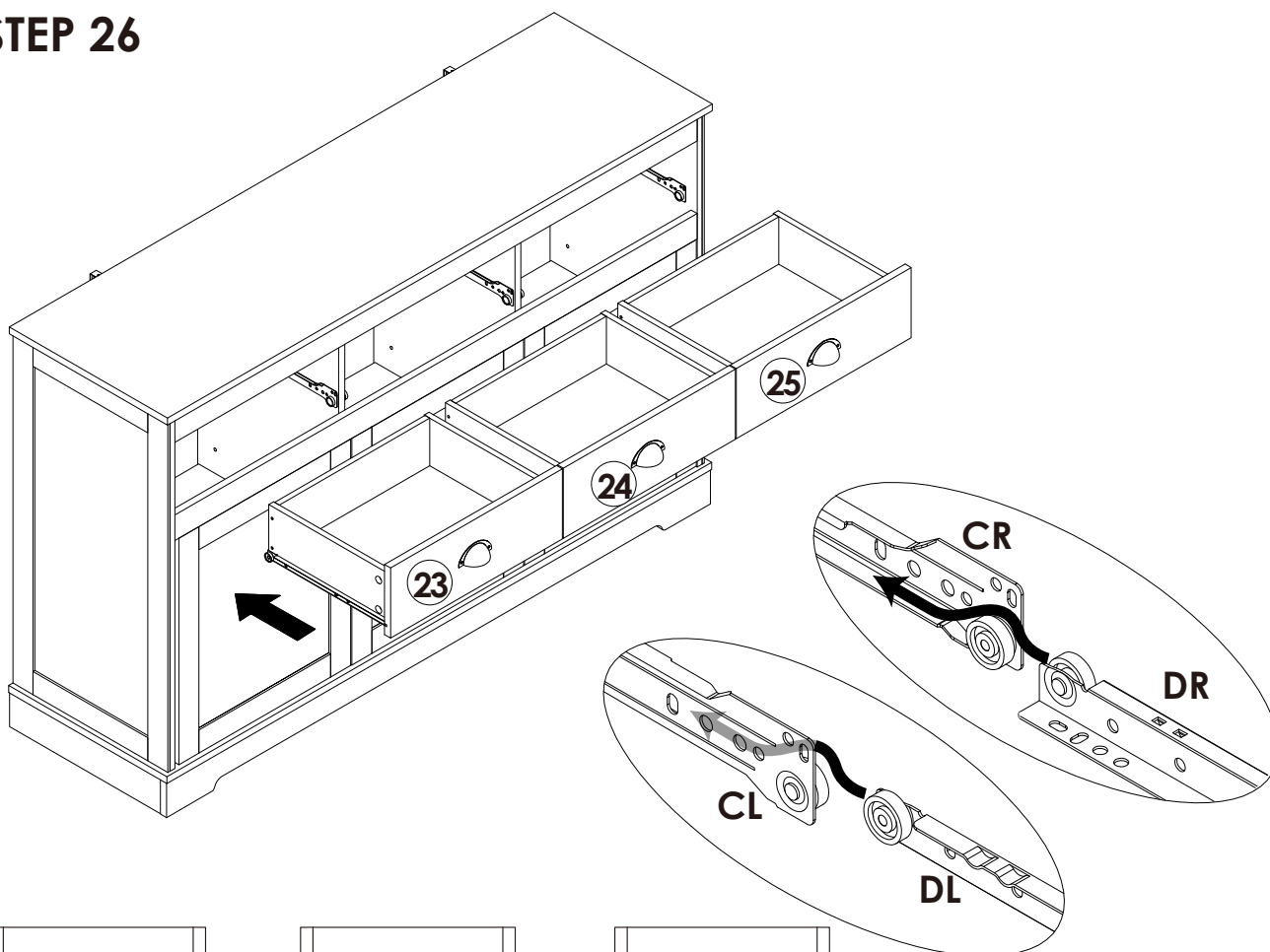
STEP 25



	O x 12PCS
	DL x 3PCS
	DR x 3PCS

X3

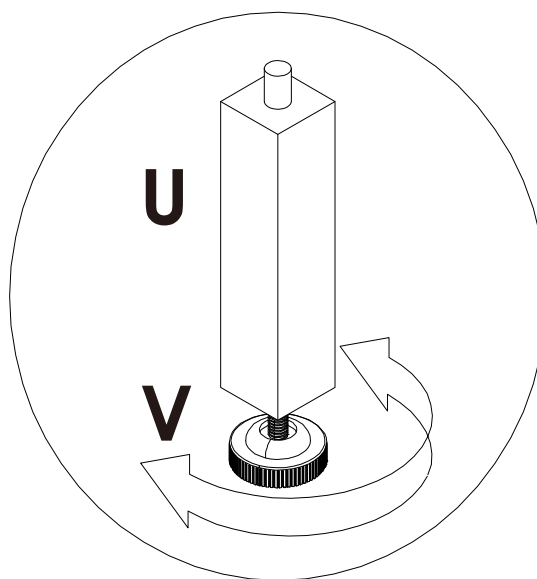
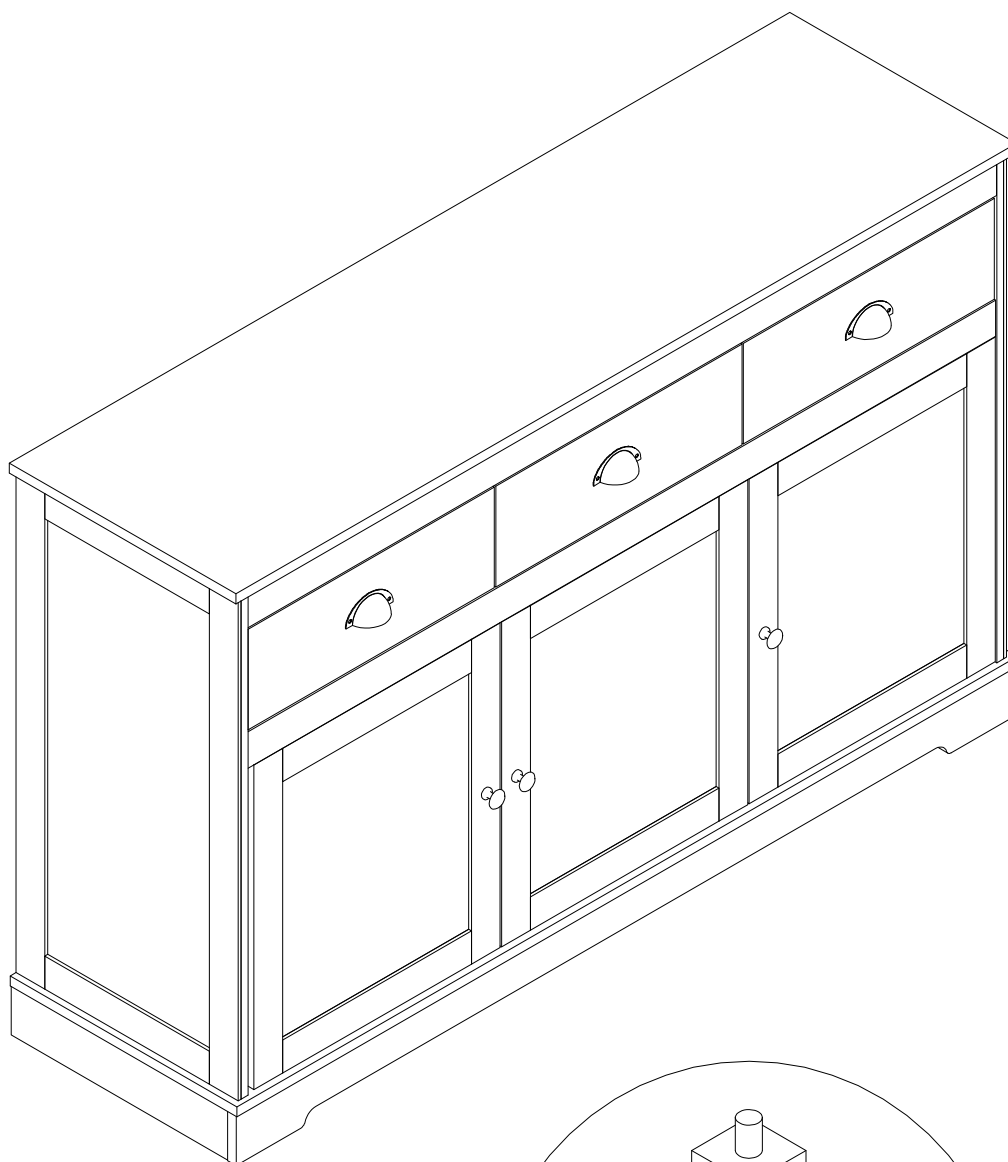
STEP 26



Please identify #23 #24 and #25.

Make sure #23 is for left drawer and #25 is for right drawer.

STEP 27

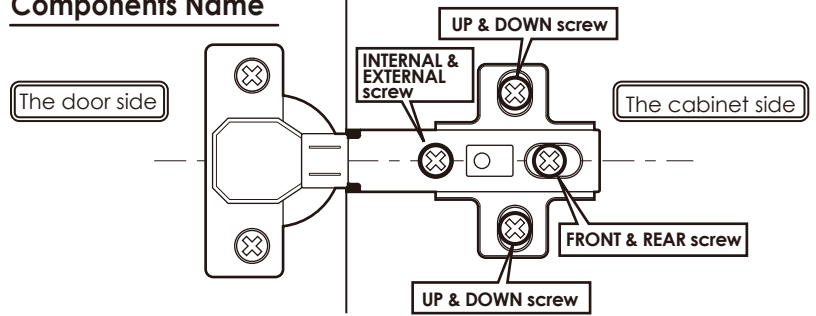


Notice: Dear customer, if you feel the cabinet is unstable , you can adjust the leg in the middle to improve it.

The ways to adjust the door

- Before adjusting the hinge, please check whether the cabinet is skewed.
- If the skew can not be repaired, please remove the anti-tipping device first, then adjust the cabinet to vertical position.
- Please adjust the hinge with the door open.
- Please operate it with more than 2 people, one person holds the door and the other one adjusts the screw.

Components Name

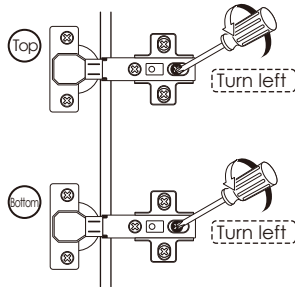


When door is crooked



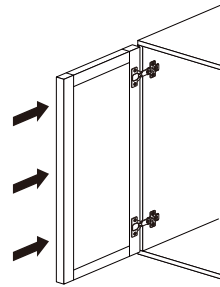
Please take the following steps to adjust first.

- 1 Rotate the "front and rear screws" to the left

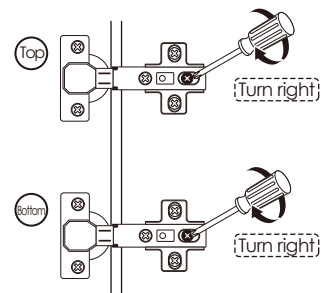


※ After adjusting the "front and rear screw", the door still does not change, please turn the "internal & external screw" to the right slightly.

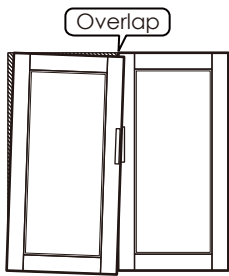
- 2 Push the door to the cabinet



- 3 Rotate the "front and rear screws" to the right

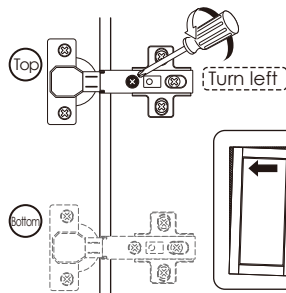


When door is leaning

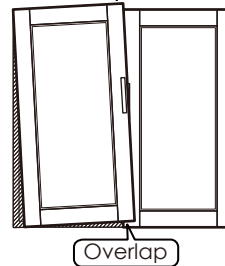


Protruding to the underside

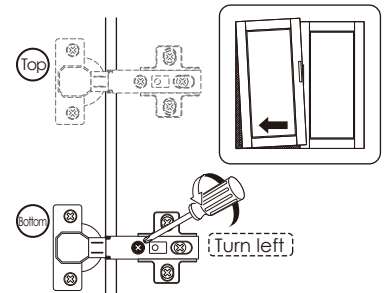
- 1 Turn "internal & external screw" to the left can make the top of the door tilted outward.



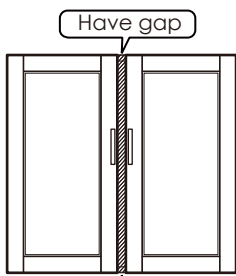
Protruding to the upside



- 1 Turn "internal & external screw" to the left can make the bottom of the door tilted outward.

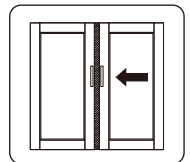
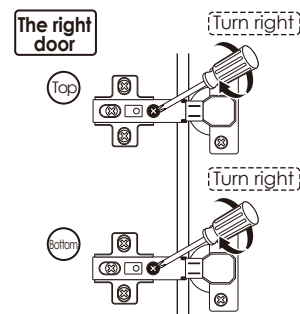
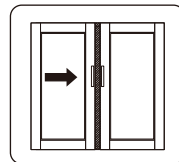
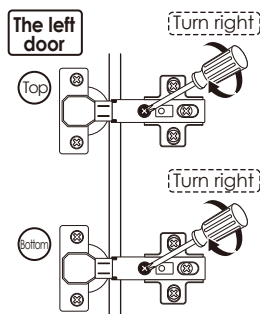


When 2 doors are not tight



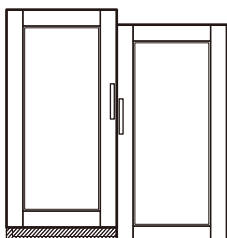
Have gap

- 1 Turn "internal & external screw" to the right can make the door approach inside. Please adjust the doors little by little.



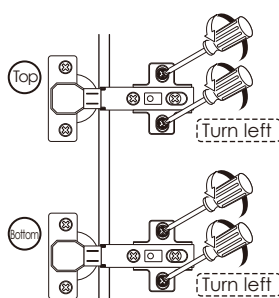
※ If the 2 doors are overlap, please turn the "internal & external screw" to the left.

When the door is higher on top

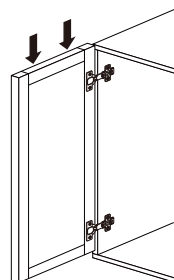


Have gap

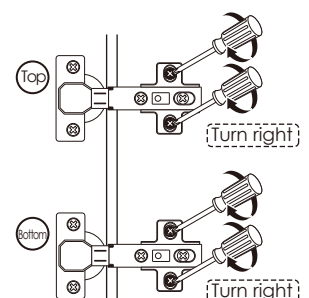
- 1 Turn "up & down screw" to the left



- 2 Lower the door's height so that 2 doors are of the same height.



- 3 Turn "up & down screw" to the right



※ If the door is lower on bottom, please lift up the left door slightly on step 2



WARNING



Children have died from furniture tipover. To reduce the risk of furniture tipover:

- **ALWAYS** install tipover restraint provided.
- **NEVER** allow children to stand, climb or hang on drawers, doors, or shelves.
- **NEVER** open more than one drawer at a time.
- **Place heaviest items in the lowest drawers.**