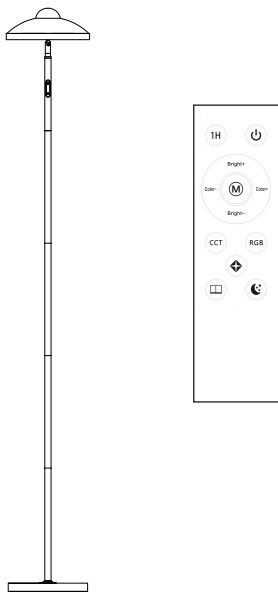


Floor Lamp



Please pay attention to the warning signs
Read the instructions with caution before
operating and keep it properly

Warning

1. Before assembly, lay out all parts on a clean, flat surface and inspect each part for defects that may have occurred during shipping.
2. Inspect the wire insulation for any cuts, abrasions, or exposed copper that may have occurred during shipping. If there are any defects, DO NOT continue assembly. Please contact our customer service team immediately.
3. Consult a qualified electrician if you have any electrical questions.
4. To reduce the likelihood of tipping over, we recommend placing the lamp behind furniture and keeping children and pets away.
5. Never drape clothes over the lamp.
6. To prevent children from suffocating and choking, keep them away from packing materials.
7. Please keep this manual and pass it along when transferring the product.

Specifications

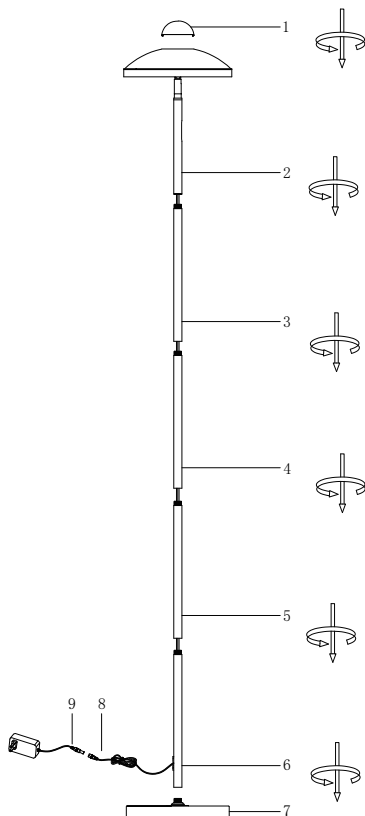
- Product Height: 69.3 IN (176cm)
- Wire Length: 70.8 IN (180cm)
- Input Voltage: 120Vac 60Hz
- LED: 15W,3000-6000K; 3W,RGB

One-Year Limited Warranty

We provide a one-year warranty for materials and workmanship from the date of purchase. Please note that the warranty does not cover damage caused by personal misuse or improper installation. Kindly attach your Order ID and Name so that our dedicated customer service team can assist you more efficiently.



1. This label is affixed next to the laser light source on the product
2. Caution – Use of controls or adjustments, or performance of procedures other than those specified herein may result in hazardous radiation exposure.
3. The laser safety classification of this product is based on IEC 60825-1:2014.
4. The laser safety classification of this product is based on EN 60825-1: 2014 + A11:2021.
5. The laser module information is as follows:
Wavelength: 530 ± 10 nm
Beam divergence: 1.5 mrad
Maximum output power: 285 μ W
Laser safety level: CLASS 1



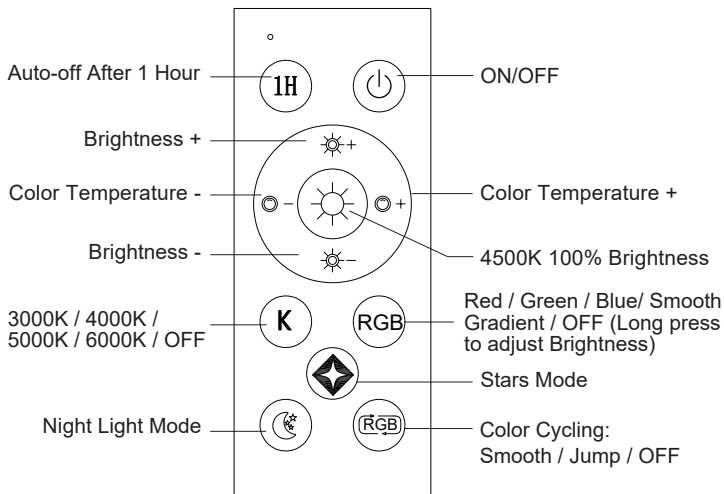
Short Press:
 Laser – RGB – Laser&RGB
 – OFF

Long Press in RGB Mode:
 Adjust Brightness



Short Press:
 3000K–4000K–5000K–6000K

Long Press:
 Adjust Brightness



Auto-off after 1 Hour: The bulb flashes once when pressed, indicating that the 1-hour timer mode has been activated. The timer will be canceled automatically if the lamp is turned on or off using the plug or remote control during the countdown.

Brightness: 10%-100%

Color Temperature: 3000-6000K

K: Control the main light switch after turning on the light

Stars Mode: Press to turn on/off the Star Lights

Memory Function: the floor lamp can remember the mode of the brightness you settled before closing.

If the remote control is unresponsive, please try re-pairing it:

Within 1 minute of powering on, press and hold the ON/OFF button. The light will flash three times to indicate successful pairing.

The remote control does not include batteries.