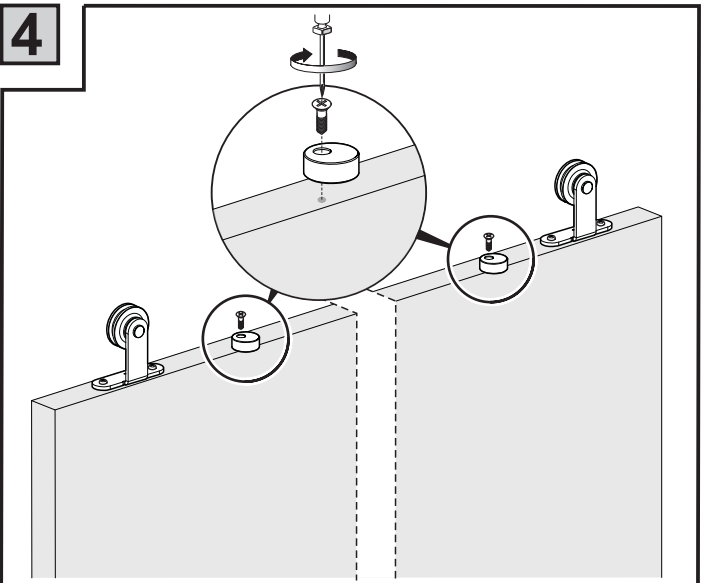
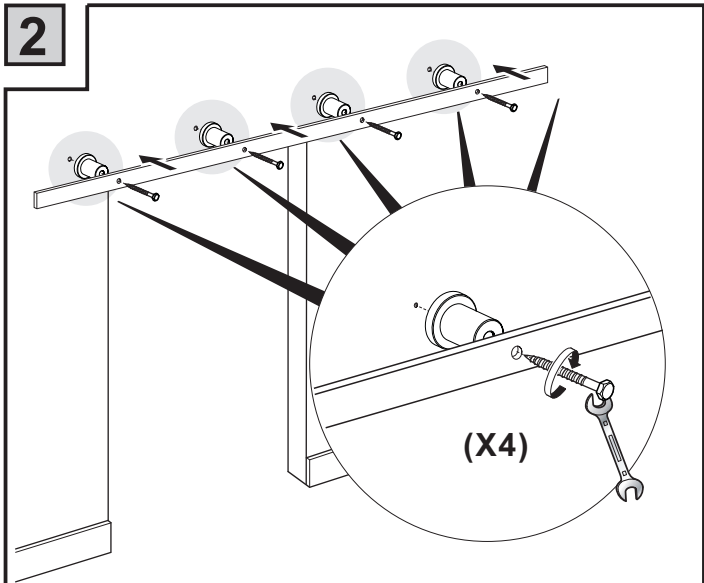
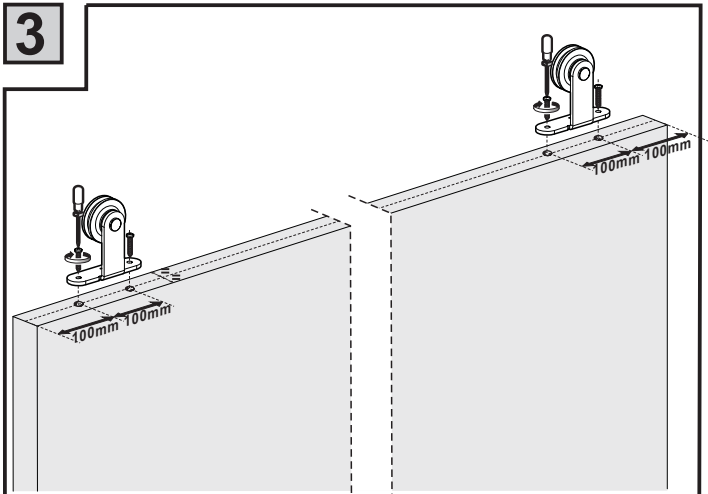
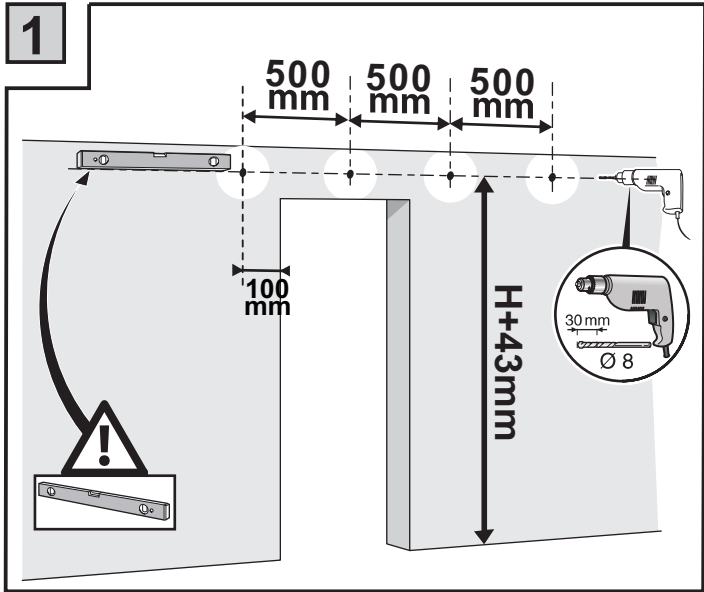
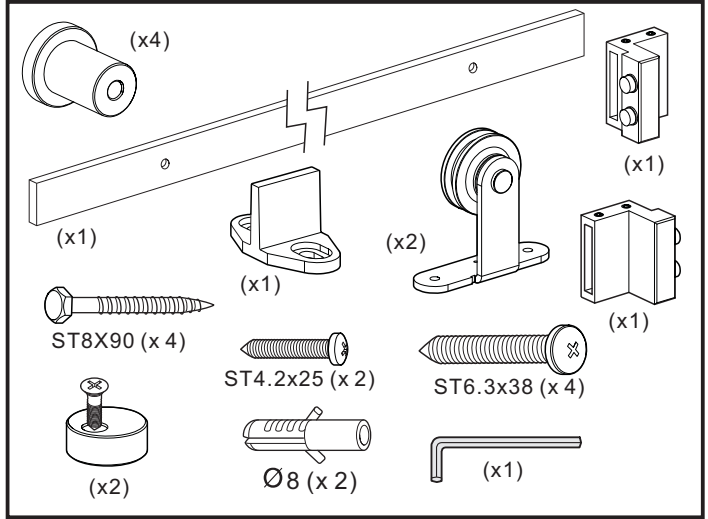
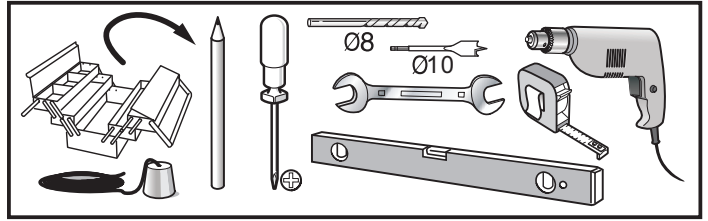
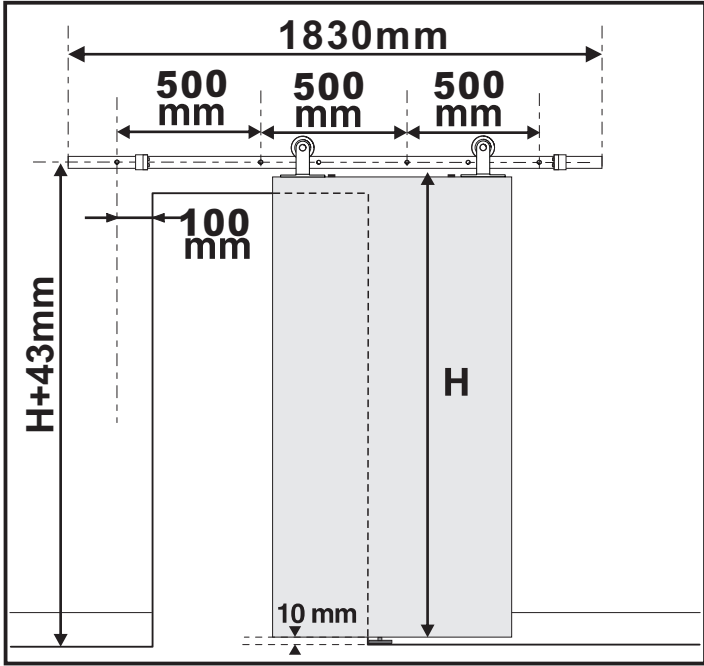
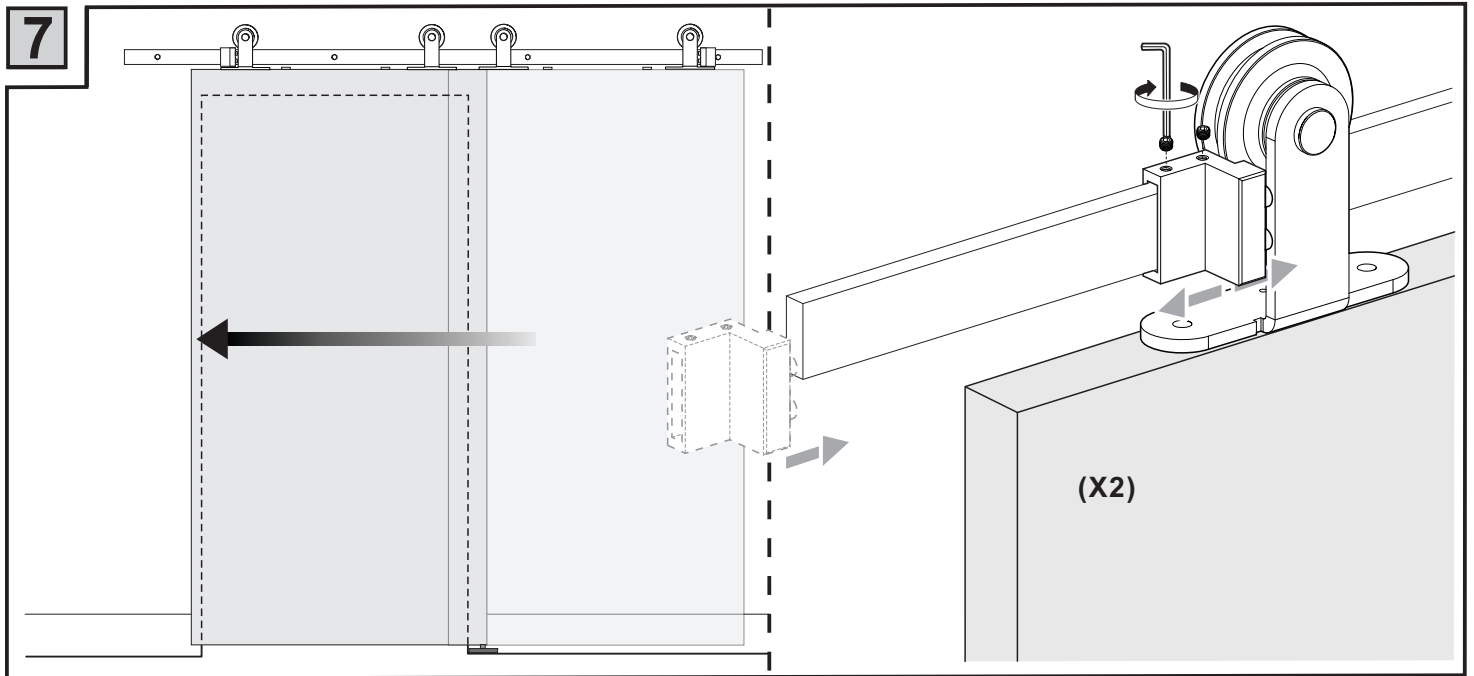
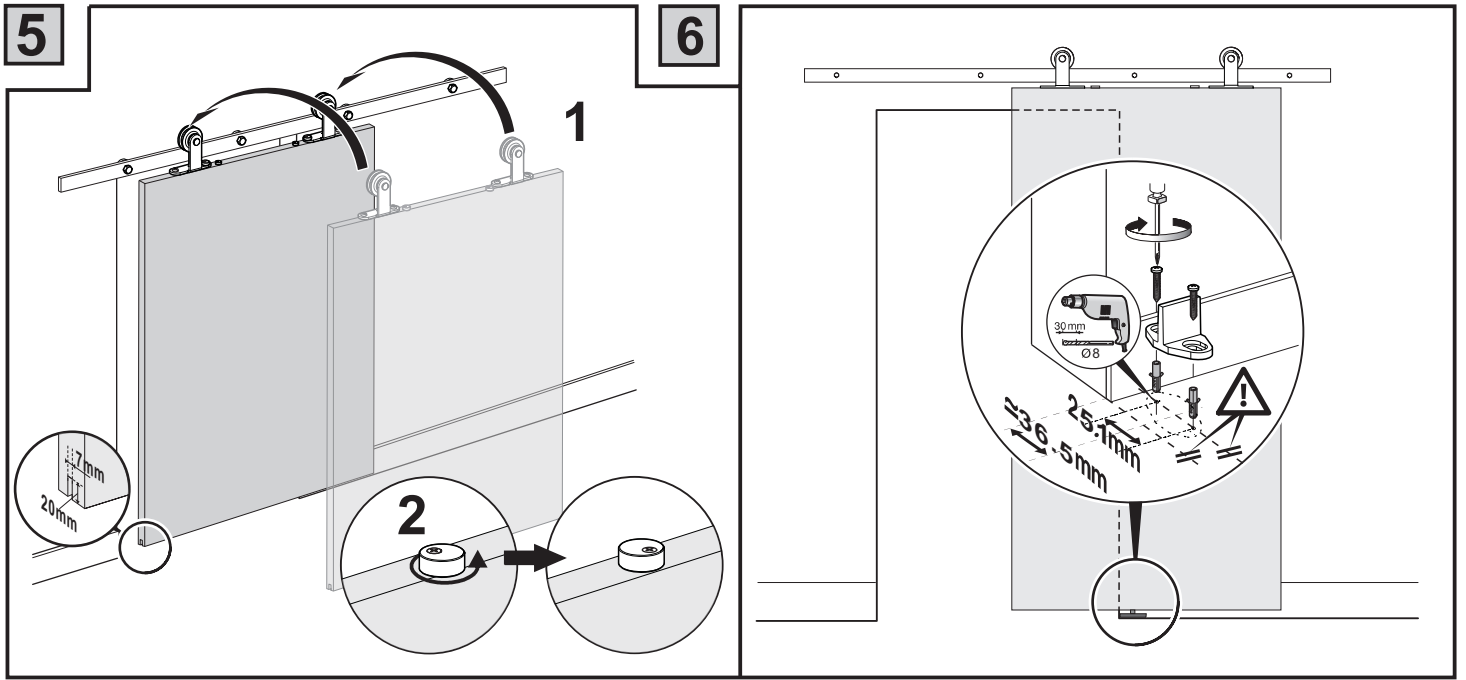


# Installation Manual





1830=72"  
 500=19.69"  
 100=3.94"  
 43=1.69"