

Metal Storage Cabinet Instruction Manual

Your new Metal Storage Cabinet has arrived and it will make your life so much easier. That's why we put so much effort into designing it to perfectly fit your needs.

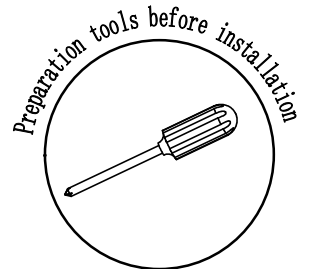
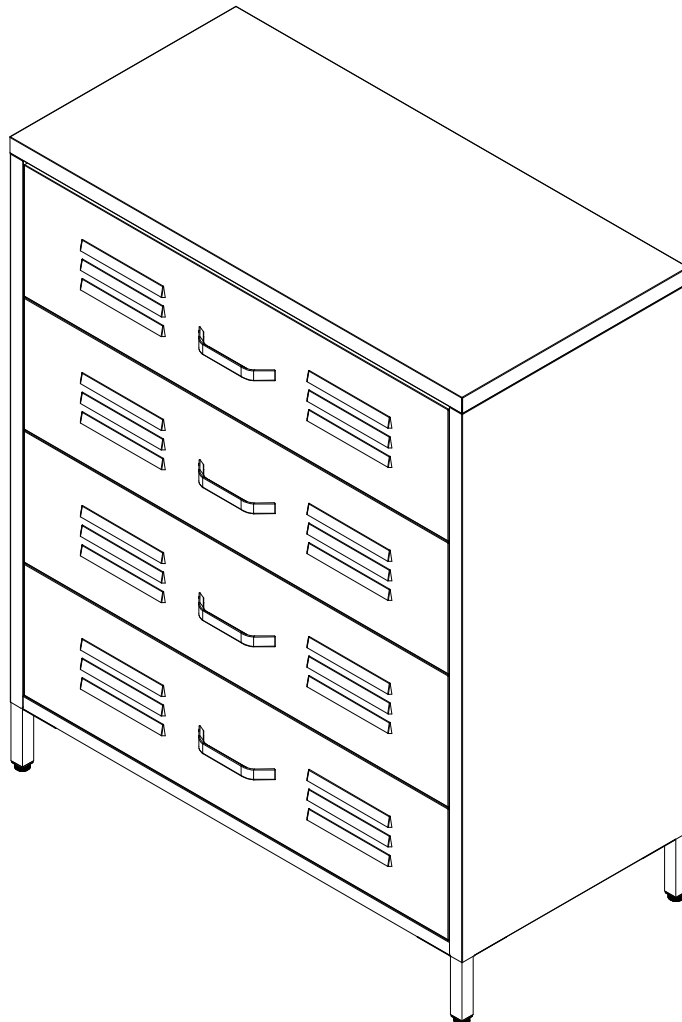
But first things first, we need to install it!
When we say 'we', we mean we're going to guide you, step by step.

We created this instructions manual so that you won't feel overwhelmed and We also know that sometimes things just don't seem to fit, so don't hesitate to contact with our Amazon Customer Associate if you have questions or need help!

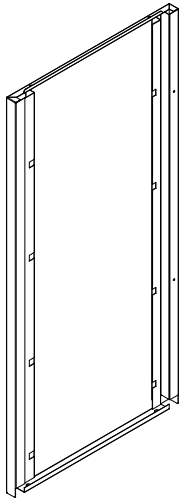
Missing A PART? DON' T WORRY, WE GOT YOUR BACK!

Compare the sketch on the next page with your package. Are all the pieces there? However, sometimes error happen, so if anything is missing or damage, just send us an email and we will make sure to fix it!

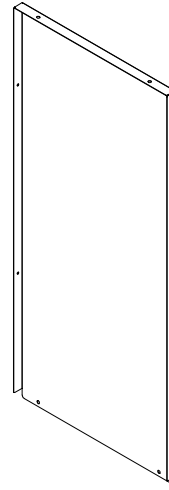
If you find scratches on the sides of the product after you open the package.
DON' T WORRY, this is the protection of express packages.



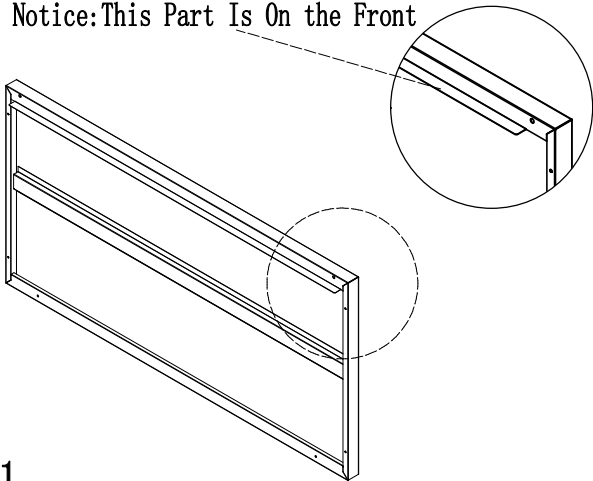
A*1



B*2

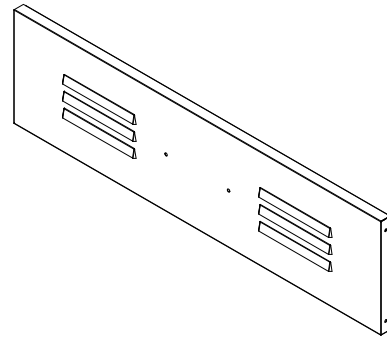


Notice: This Part Is On the Front

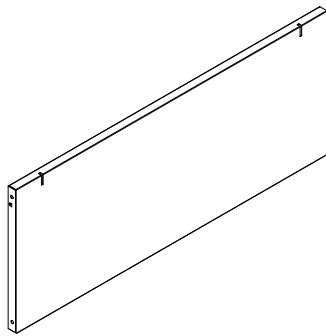


C*1

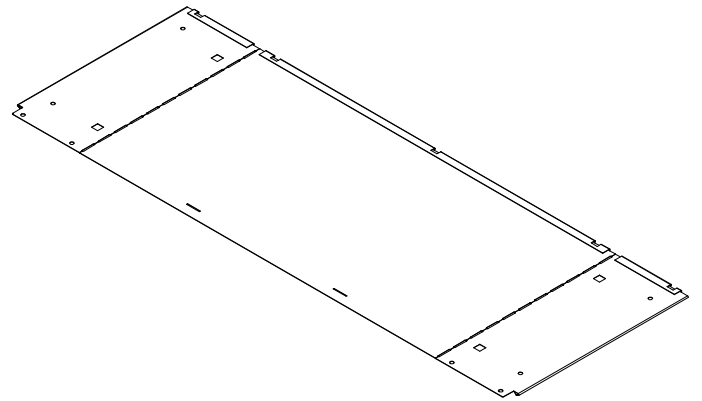
D*4



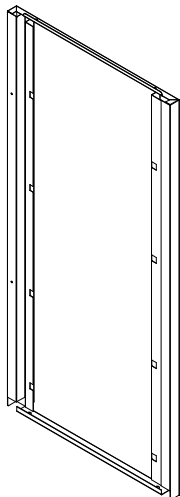
E*4



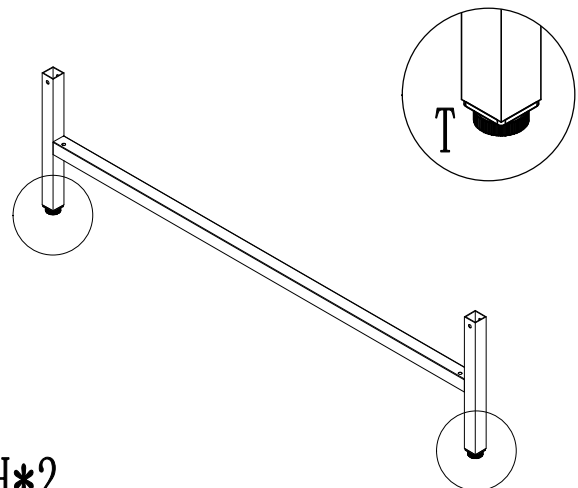
F*4

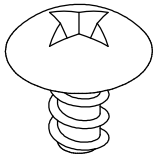


J*1



H*2

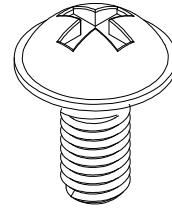




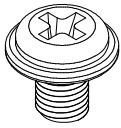
I*50



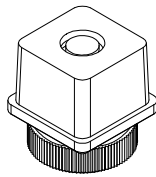
Q*2



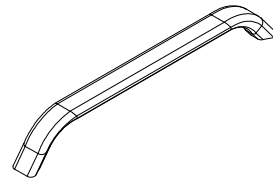
K*2



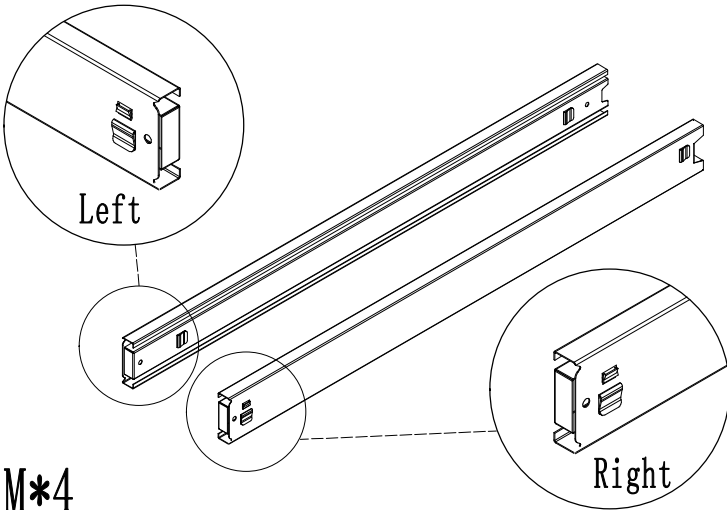
L*8



T*4

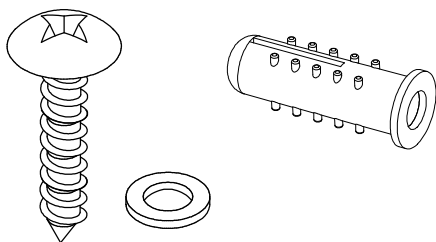


G*4



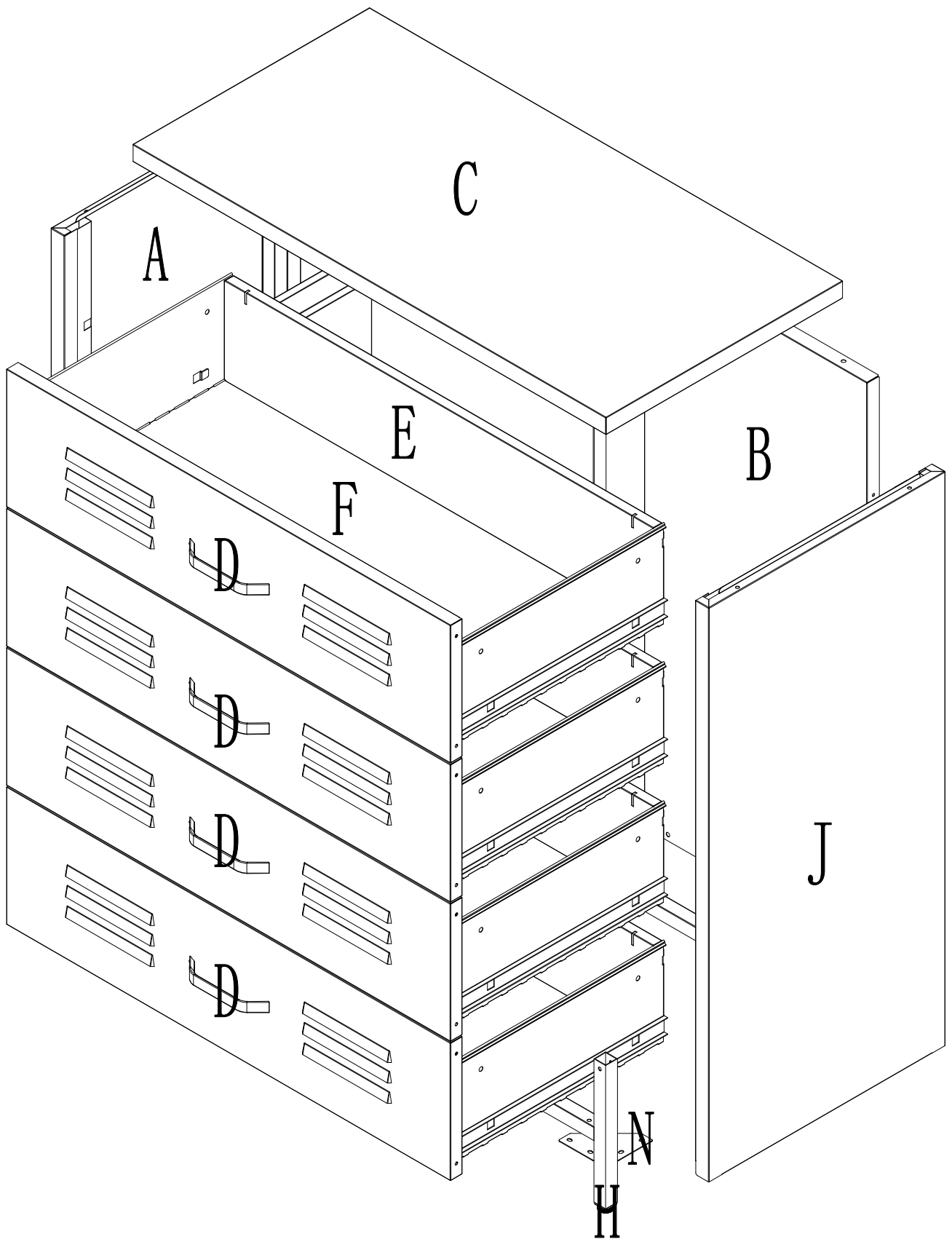
M*4

N*4

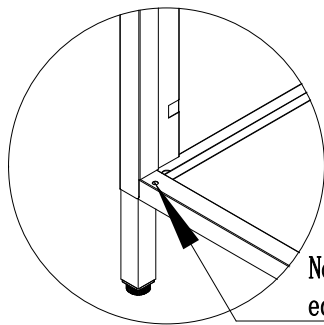
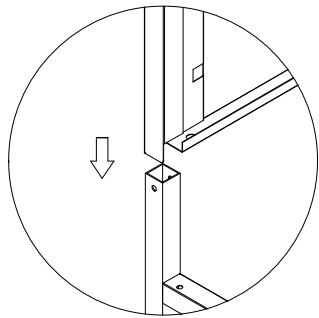


S*2

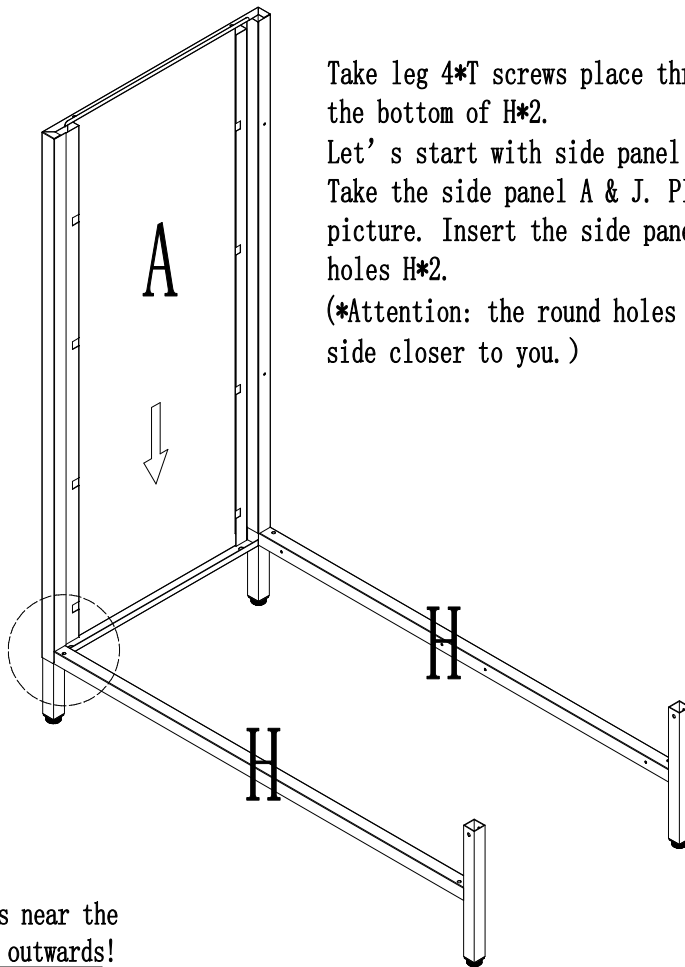
P*2



1



Notice: The holes near the edge are facing outwards!

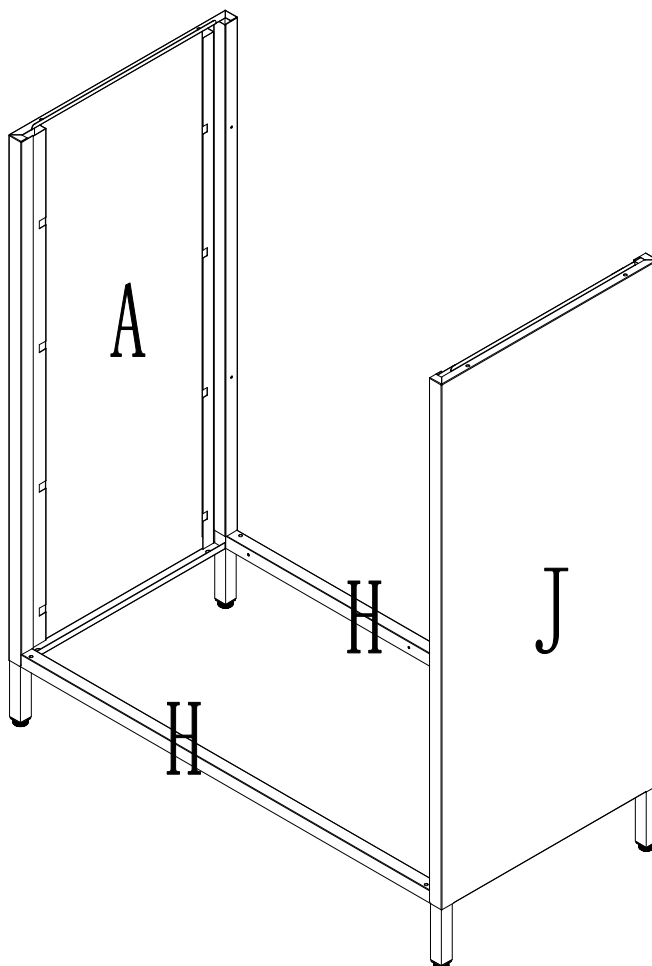


Take leg 4*T screws place through the holes in the bottom of H*2.

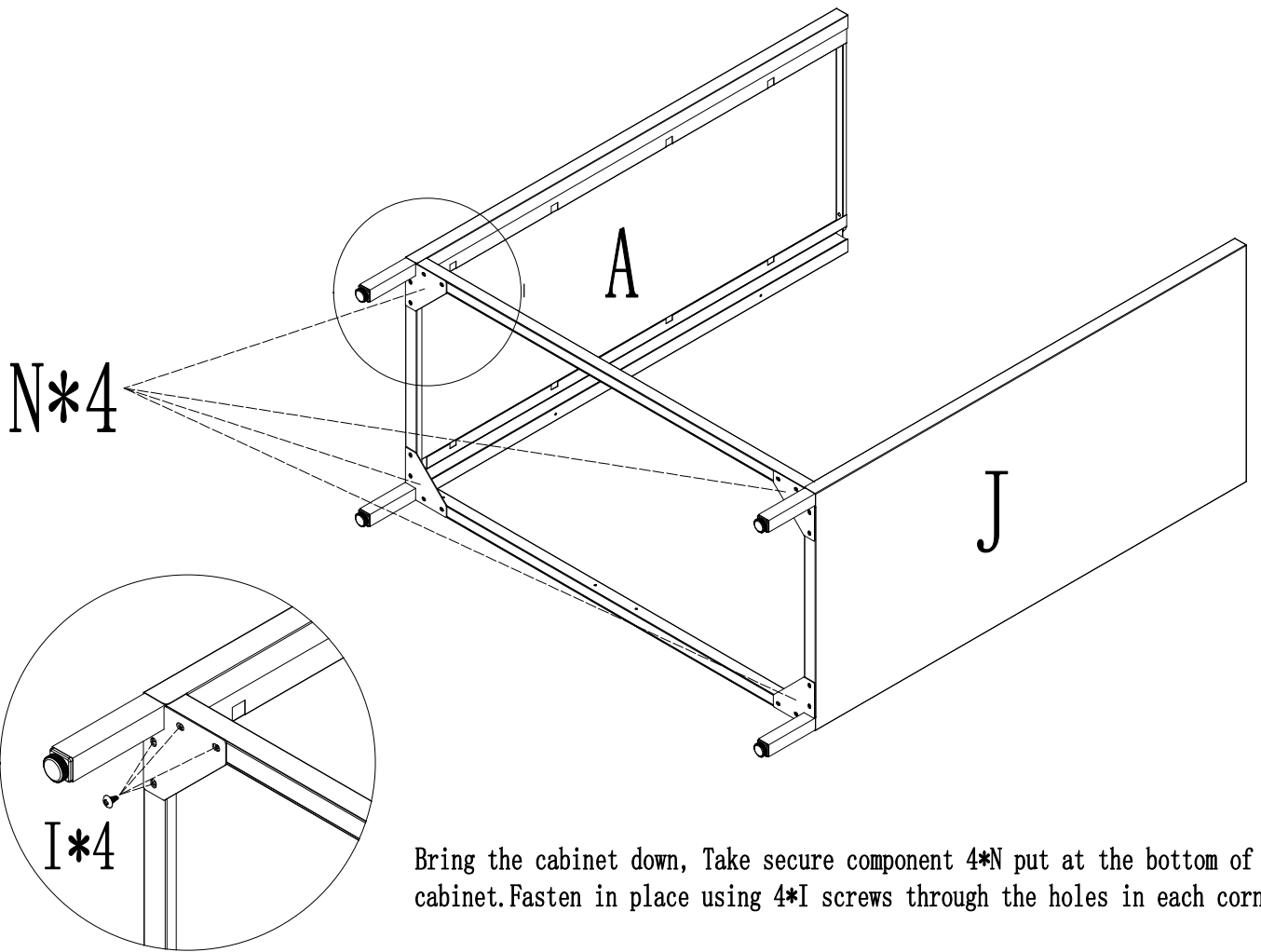
Let's start with side panel of the cabinet. Take the side panel A & J. Place as shown in the picture. Insert the side panel through the round holes H*2.

(*Attention: the round holes should be on the side closer to you.)

2

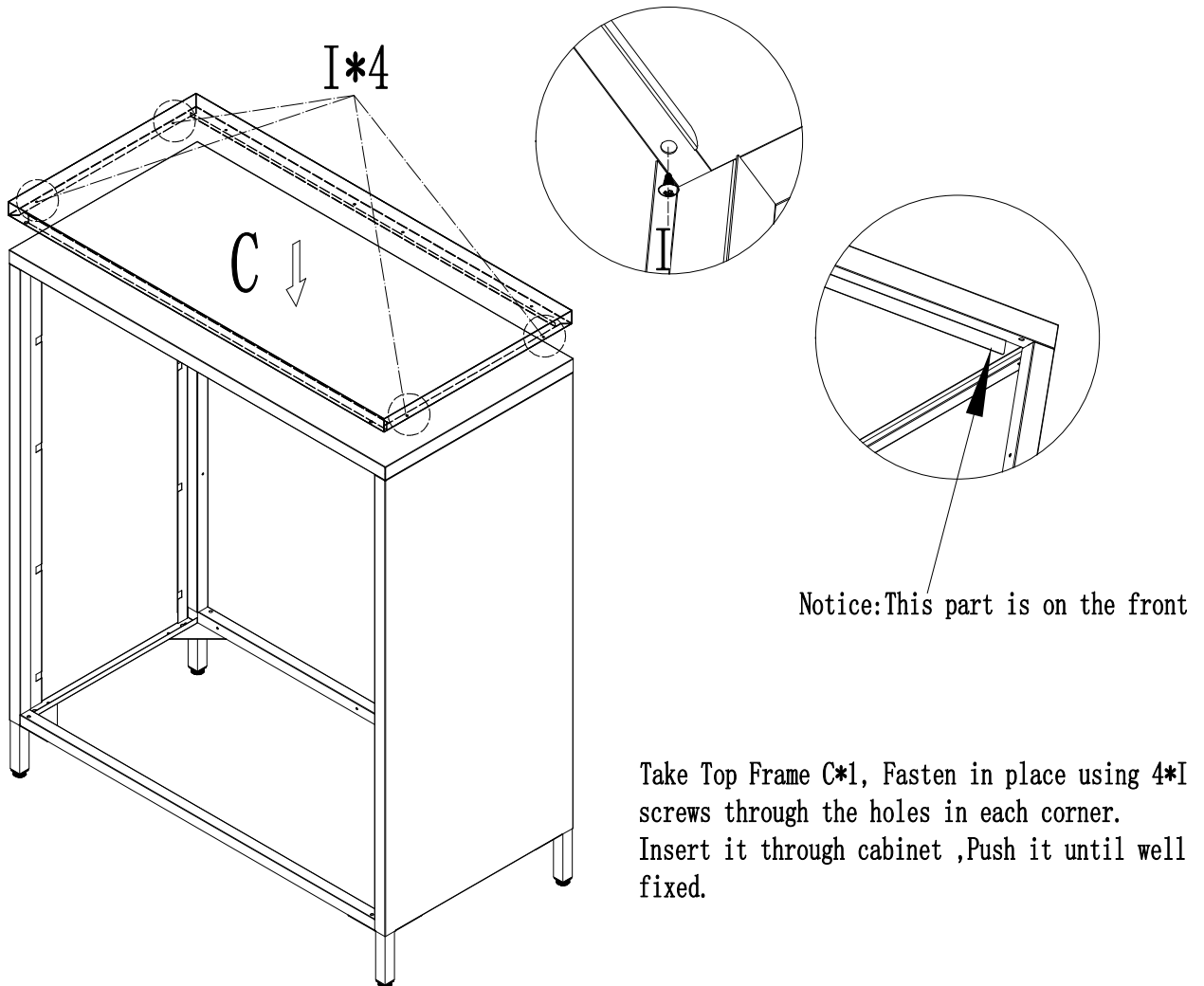


3



Bring the cabinet down, Take secure component 4*N put at the bottom of cabinet. Fasten in place using 4*I screws through the holes in each corner.

4

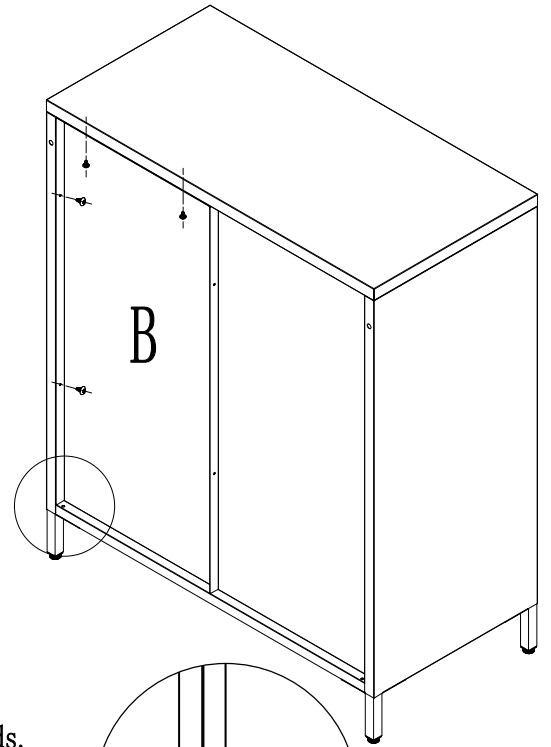
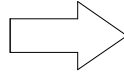
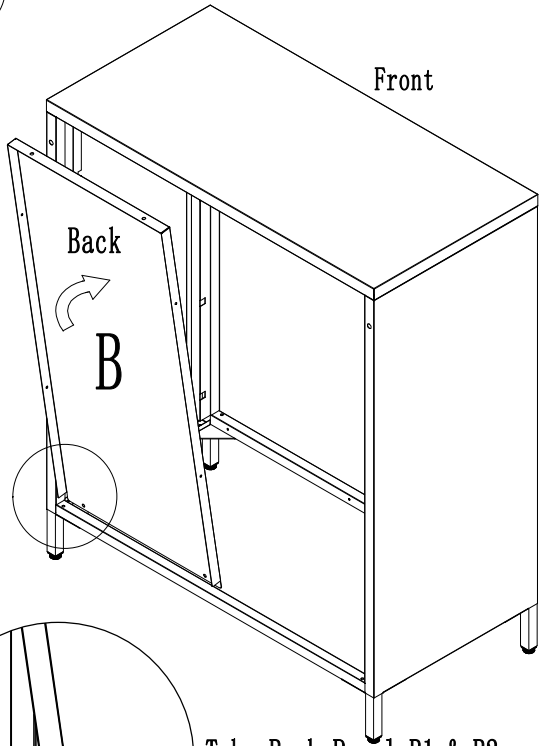


Notice: This part is on the front

Take Top Frame C*1, Fasten in place using 4*I screws through the holes in each corner. Insert it through cabinet, Push it until well fixed.

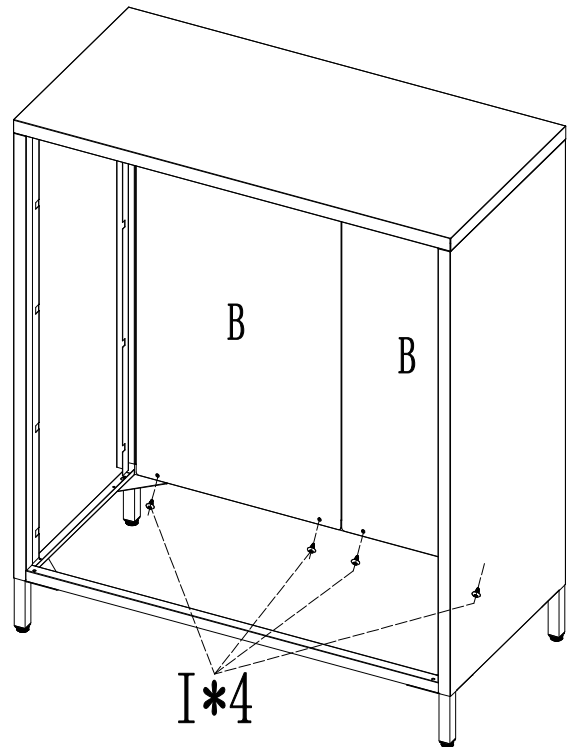
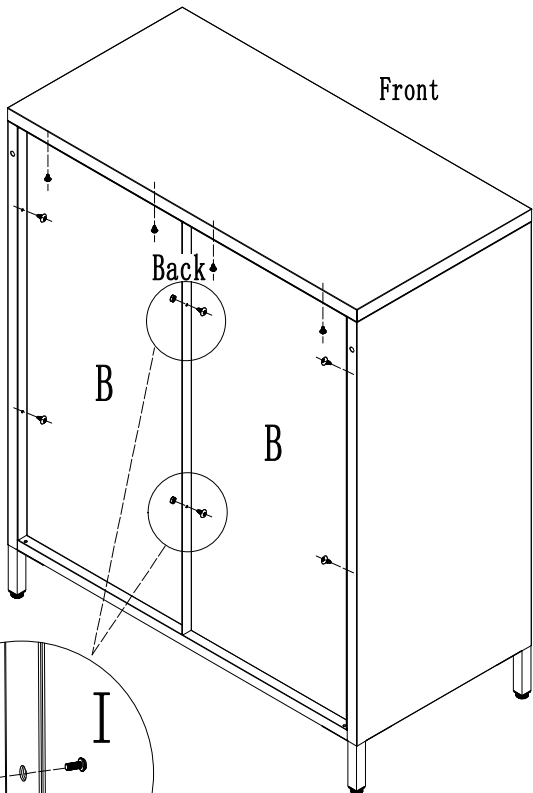
5

Notice: The concave side faces outward!

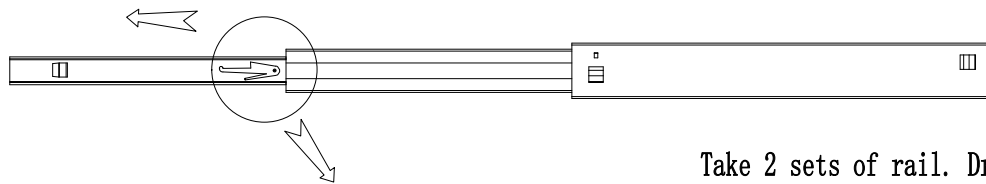


Take Back Panel B1 & B2.
 The frame with round holes must be pointing upwards.
 Overlap & align the holes of the interior frames.
 Fasten in place using 14I & 2Q screws.
 2*I screws on the left side & 2*I screws on the right side.
 4*I screws on the top, 2*I and 2*Q in the middle.
 Make sure the last 4*I screws installed from the inside.

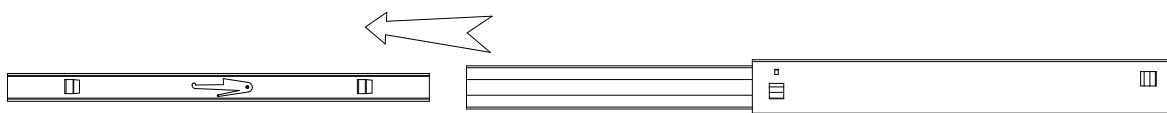
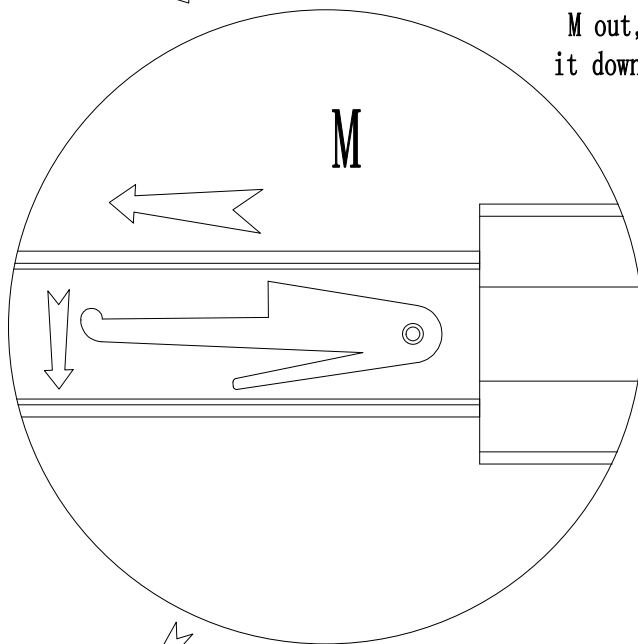
6



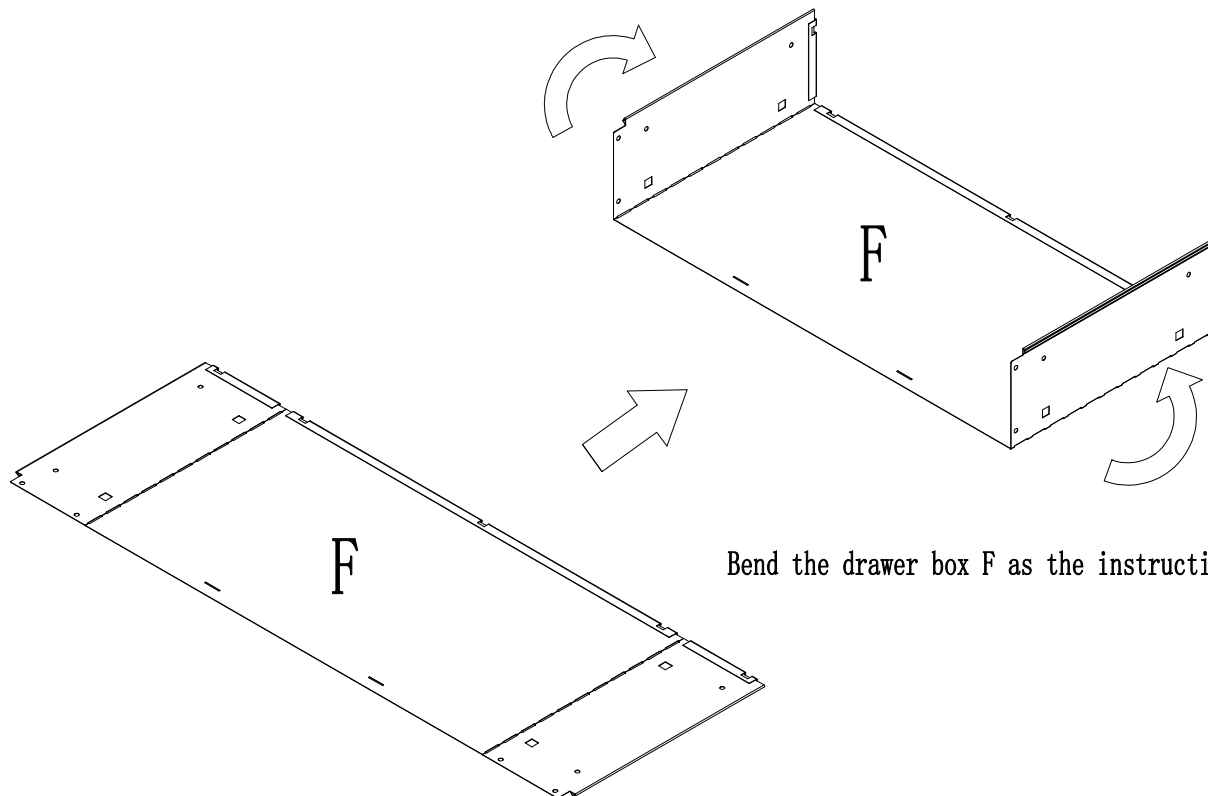
7



Take 2 sets of rail. Draw the slide rail M out, and you can see a switch, press it down to draw the first part of rail out.

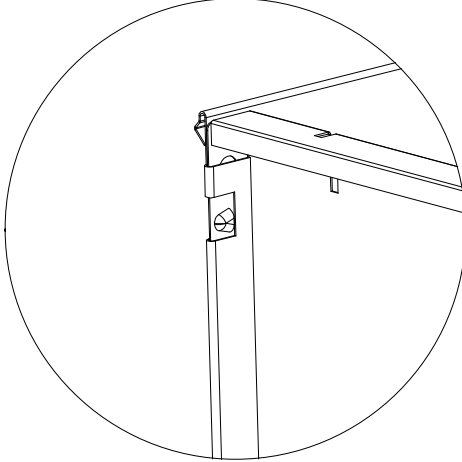


8

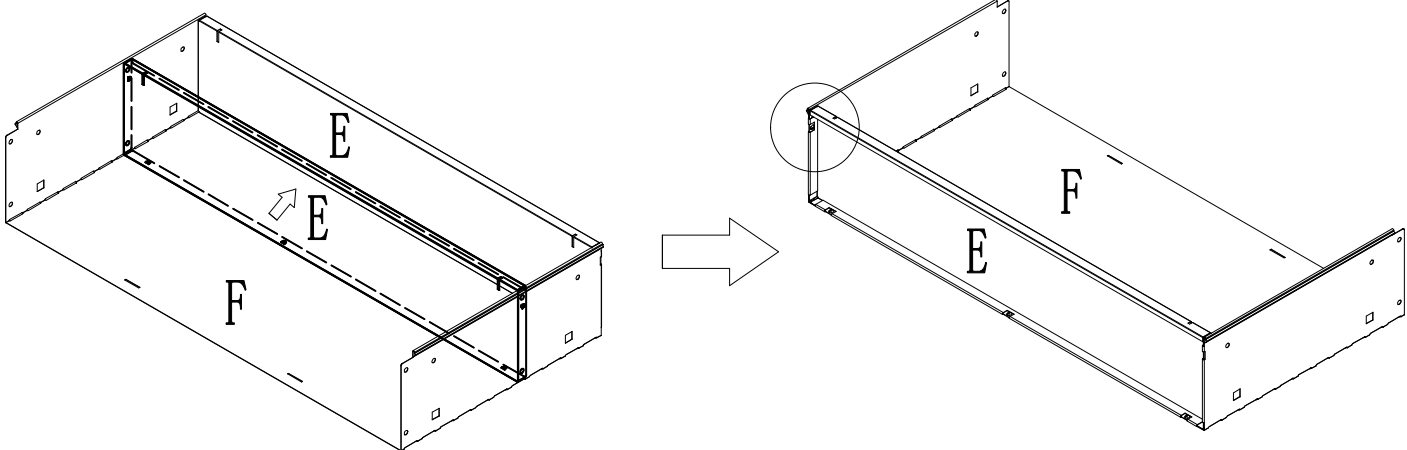


Bend the drawer box F as the instruction shown.

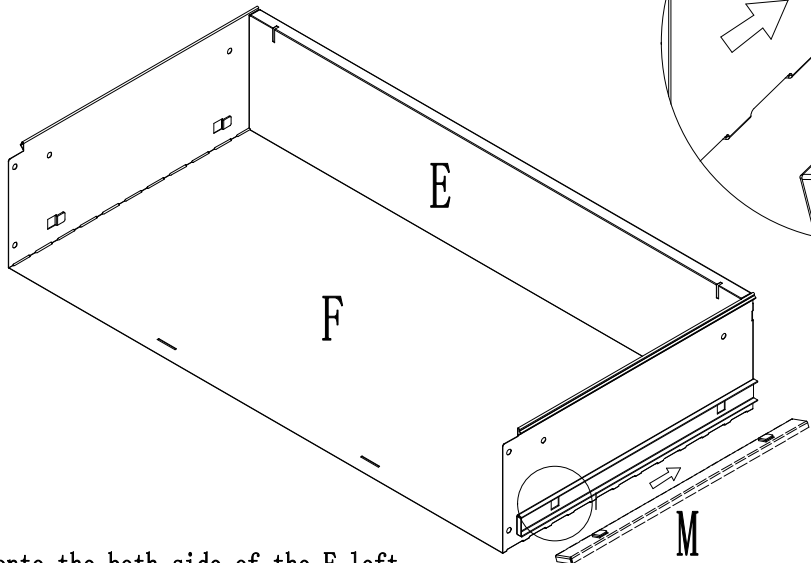
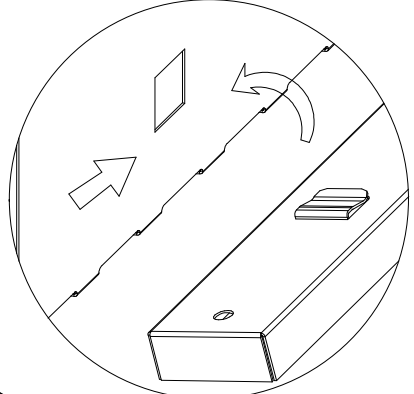
9



Take parts E, insert the middle of F and push the back drawer seal to the end.

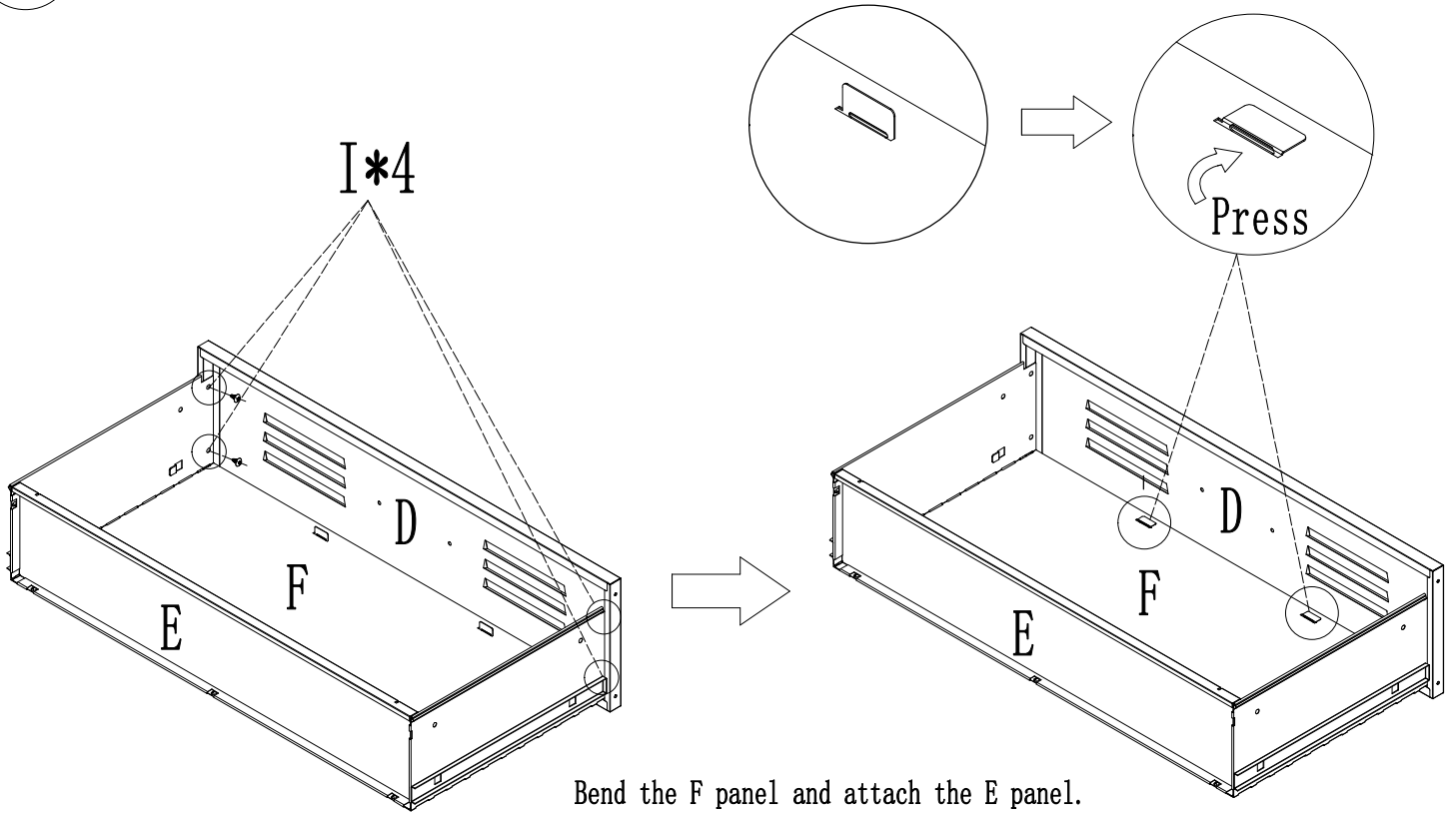


10



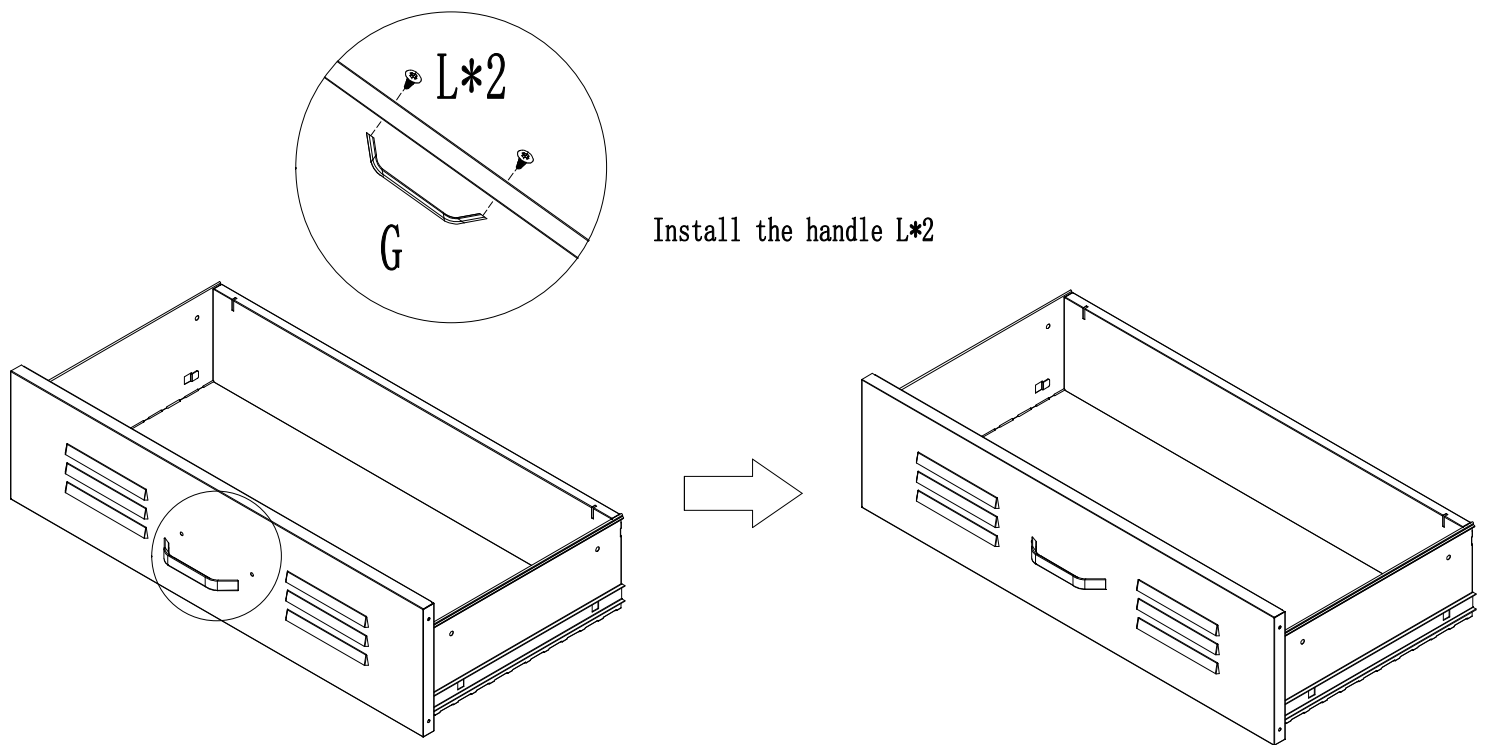
Fix the inner rails M*4 onto the both side of the F left and right drawer panel.

11



Bend the F panel and attach the E panel.
Install the drawer D, using 4*I screws.
Bend the metal clips (show like in the picture)

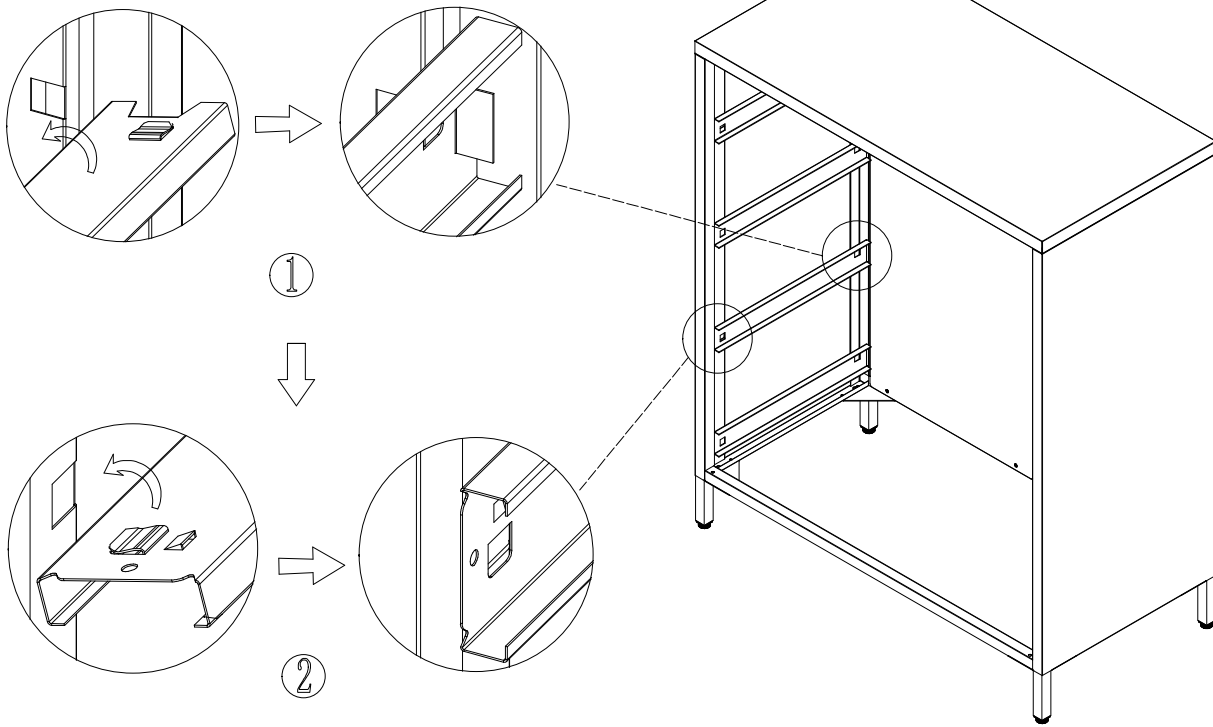
12



Install the handle L*2

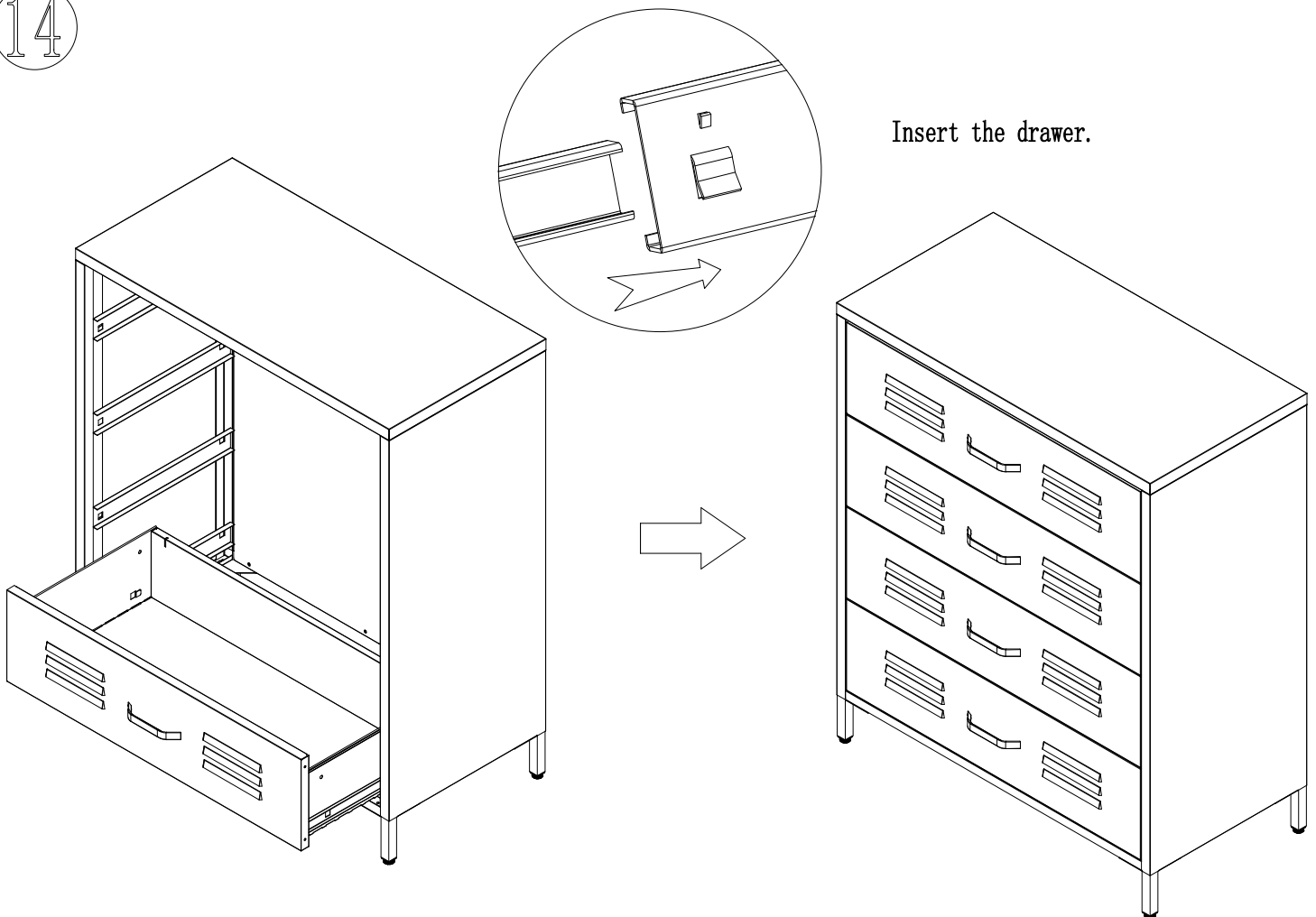
13 Notice: Distinguish the left and right slide rail.

Install the outer rails M*4 onto the left and right Side Panel A & J.

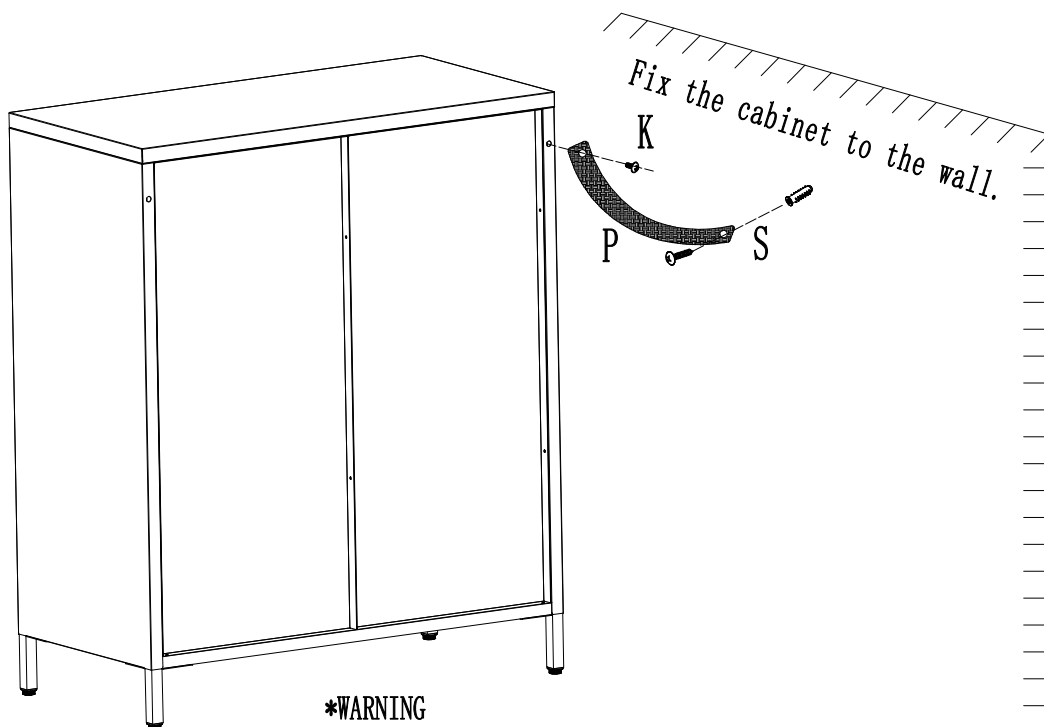


14

Insert the drawer.



15



***WARNING**

(Serious or fatal crushing injuries can occur from furniture tip-over. To prevent this furniture from tipping over it must be permanently fixed to the wall.)

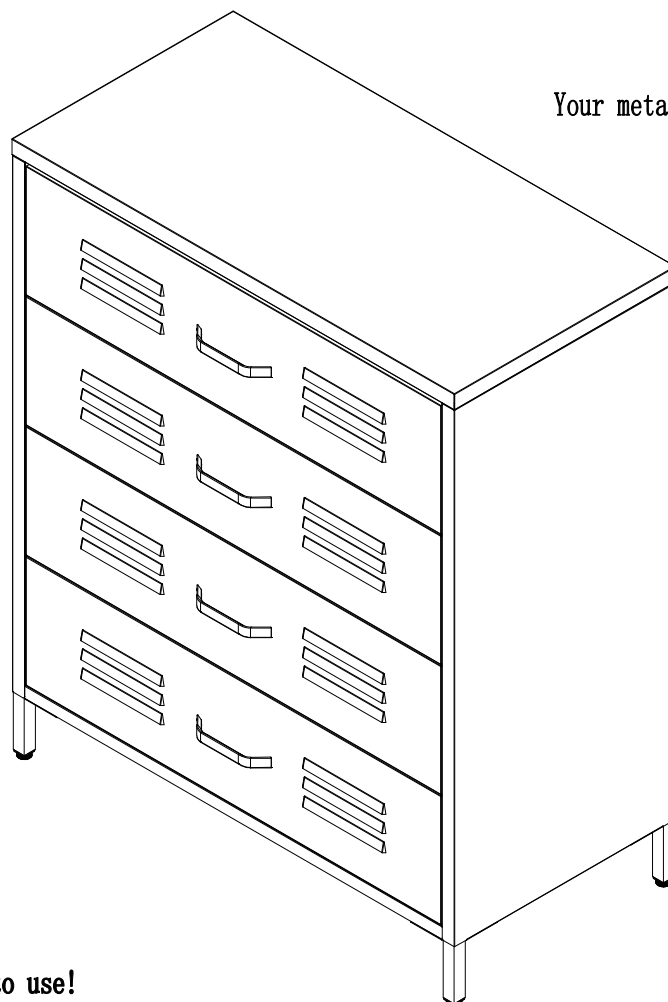
Push the metal cabinet against the wall. Mark the places on the wall there you are going to drill.

Take the Percussion Drill. Drill holes in the marked places.

Take wall plugs S screws insert in the drilled holes using a hammer

Fix the wall anchors to the wall using 1 screw S&P

16



Your metal cabinet is ready to use!

Congratulation!

Your metal cabinet is ready to use!