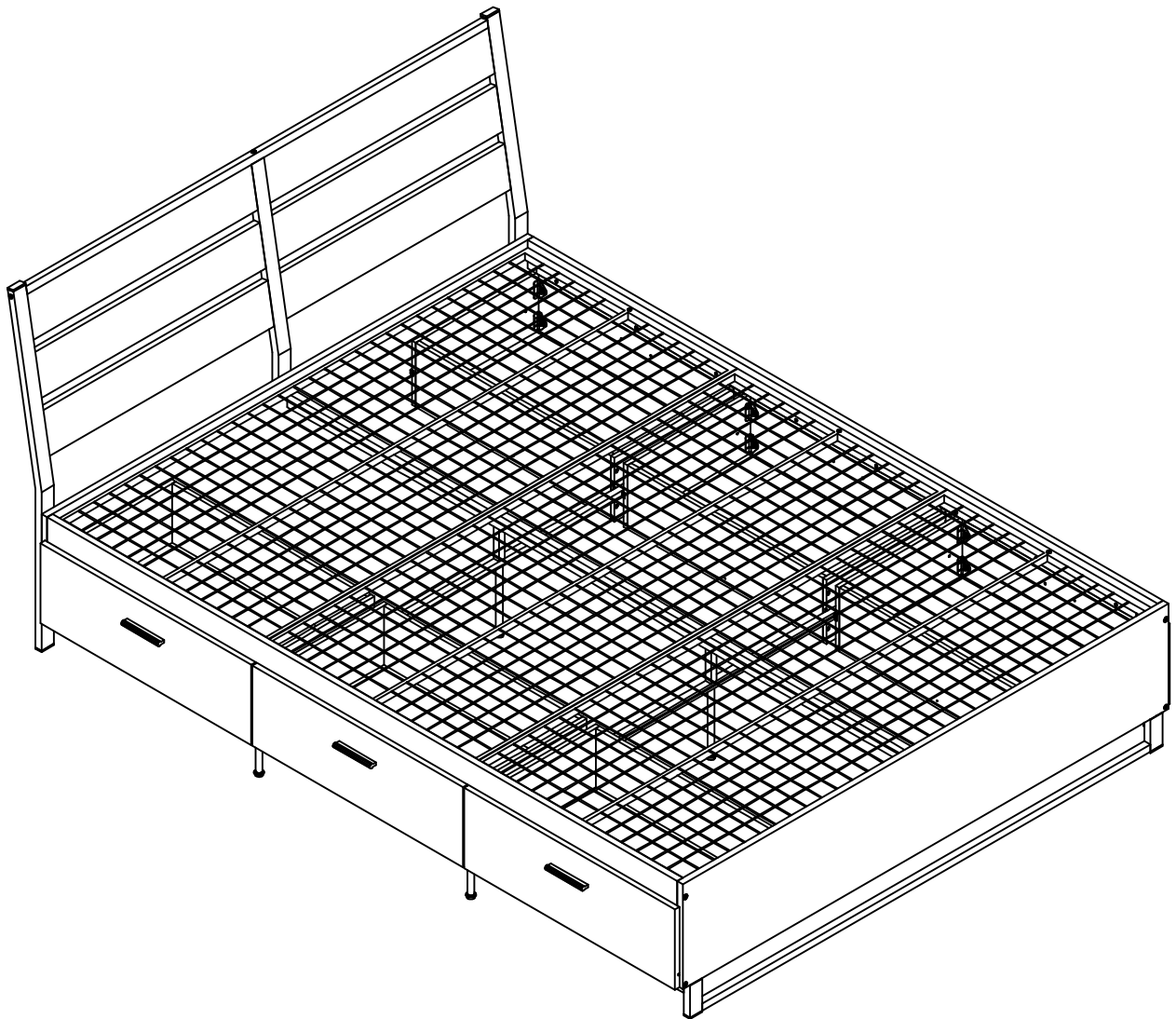
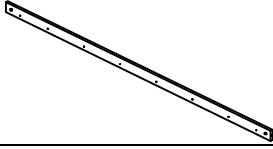
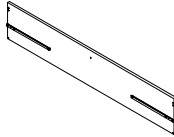
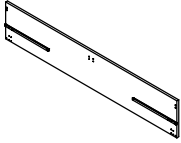
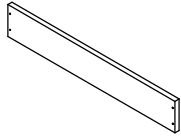
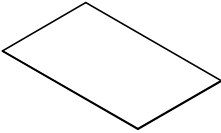

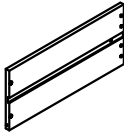
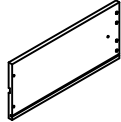
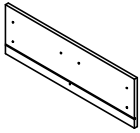
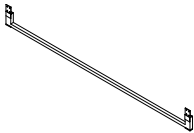





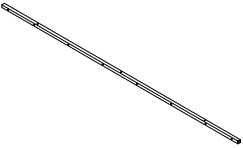
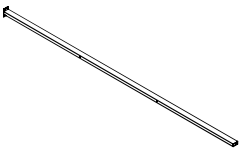
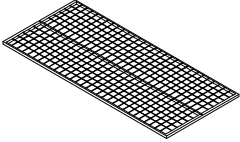
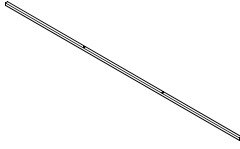
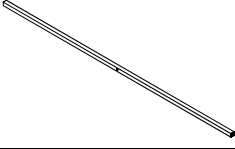
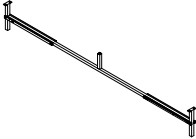
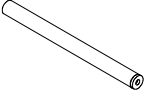
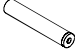

ASSEMBLY INSTRUCTION

Thank you for purchasing the quality product. Be sure to check all packing material carefully for small parts which may have come loose inside the carton during shipment. Separate, identify and count all parts and metal hardware. Compare with all parts list to be sure all parts are present. If any part(s) are missing or damaged, please contact your local furniture dealer. For efficient and speedy service, please indicate the model number and code letter of part(s) needed.

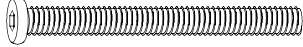
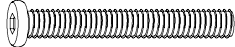





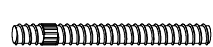



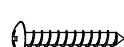






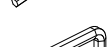


** Do not fully tighten screws until fully assembled ***

| COMPONENT PARTS | | | |
|-----------------|--|----------|-----|
| DESCRIPTION | PART NAME | QTY(PCS) | BOX |
| ① | SIDE PANEL  | 2 | |
| ② | HEADBOARD  | 1 | |
| ③ | FOOTBOARD  | 1 | |
| ④ | UPPER HEADBOARD  | 6 | |
| ⑤ | (DRAWER) BOTTOM PANEL  | 6 | |
| ⑥ | (DRAWER) REAR PANEL  | 6 | |
| ⑦ | (DRAWER) SIDE PANEL-LEFT  | 6 | |
| ⑧ | (DRAWER) SIDE PANEL-RIGHT  | 6 | |
| ⑨ | (DRAWER) FRONT PANEL  | 6 | |
| ⑩ | IRON FRAME OF BED END  | 1 | |
| ⑪ | IRON TUBE OF BED HEAD-RIGHT  | 1 | |

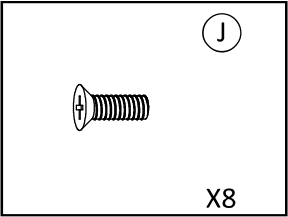
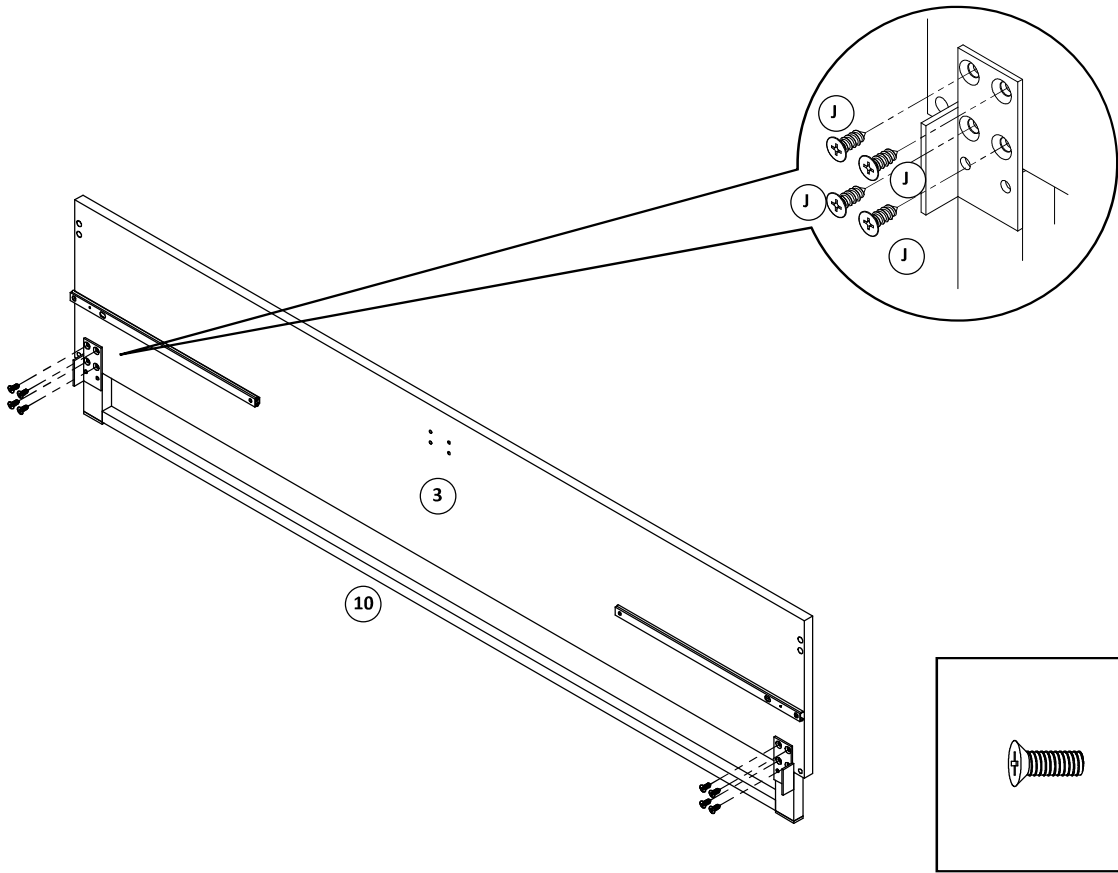
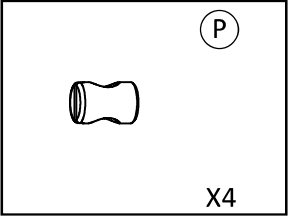
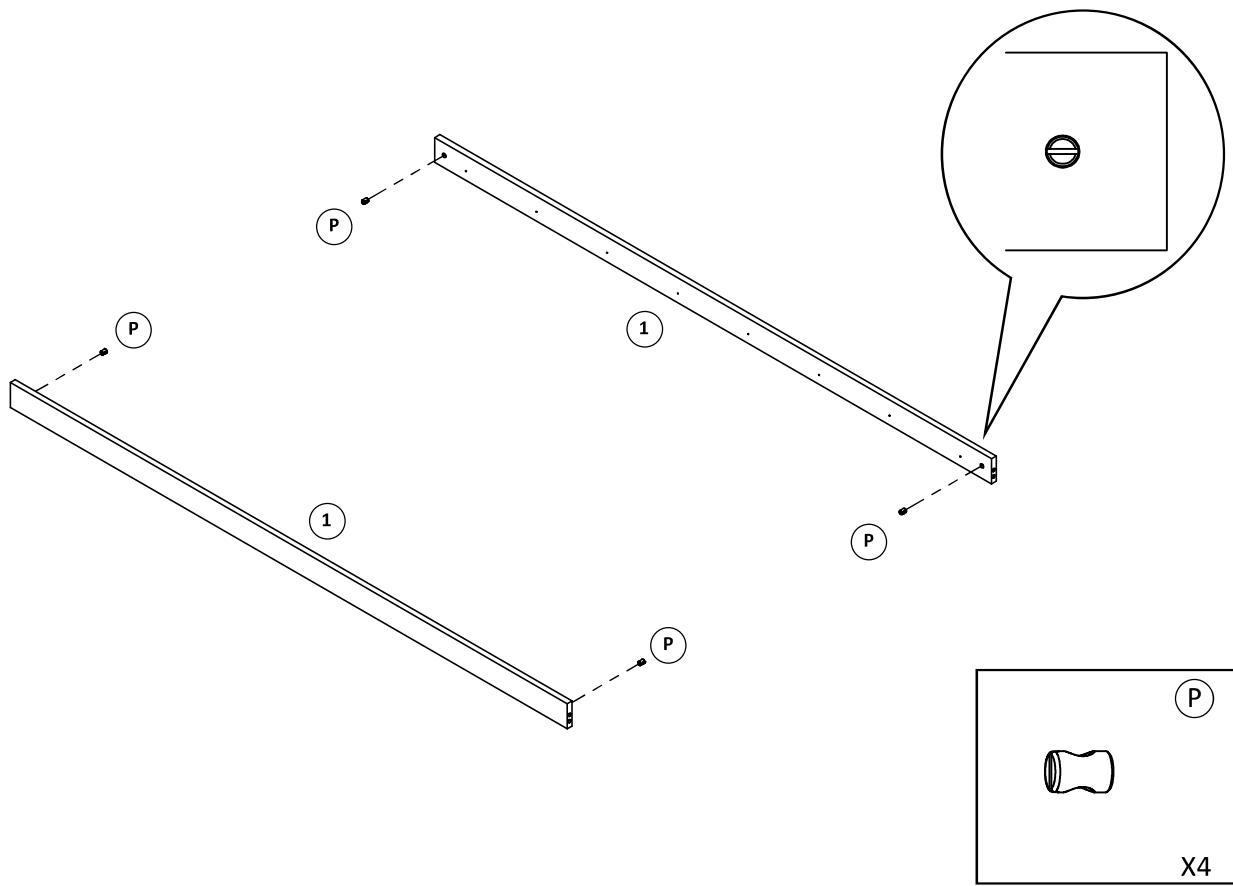
| | | | |
|---|---|--|---|
| ⑫ | IRON TUBE OF BED HEAD-LEFT |  | 1 |
| ⑬ | IRON TUBE OF BED HEAD-MIDDLE |  | 1 |
| ⑭ | IRON TUBE OF BED SIDE |  | 2 |
| ⑮ | SUPPORTIVE TUBE FOR BEDSTEAD |  | 1 |
| ⑯ | BEDSTEAD |  | 3 |
| ⑰ | SUPPORTIVE TUBE FOR BEDSIDE |  | 2 |
| ⑱ | IRON TUBE FOR UPPER HEADBOARD |  | 1 |
| ⑲ | H-SHAPE TUBE FOR DRAWER |  | 2 |
| ⑳ | SUPPORTIVE TUBE FOR H-SHAPE TUBE(LARGE) |  | 2 |
| ㉑ | SUPPORTIVE TUBE FOR H-SHAPE TUBE(SMALL) |  | 4 |
| ㉒ | DRAWER BOTTOM FASTENING |  | 6 |

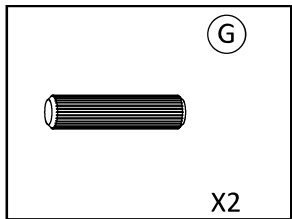
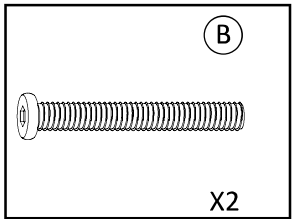
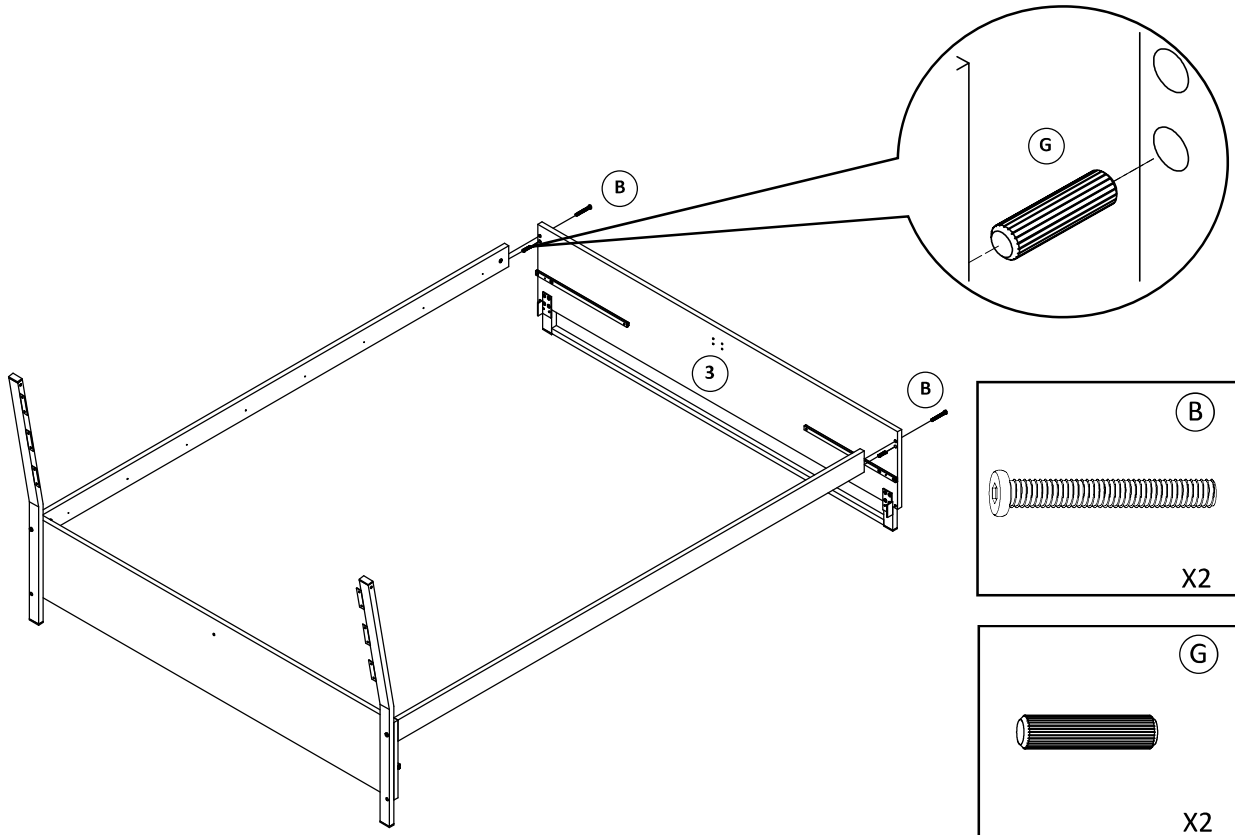
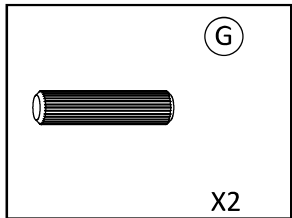
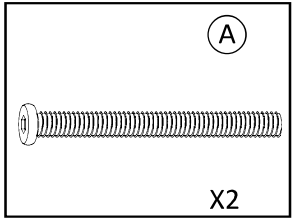
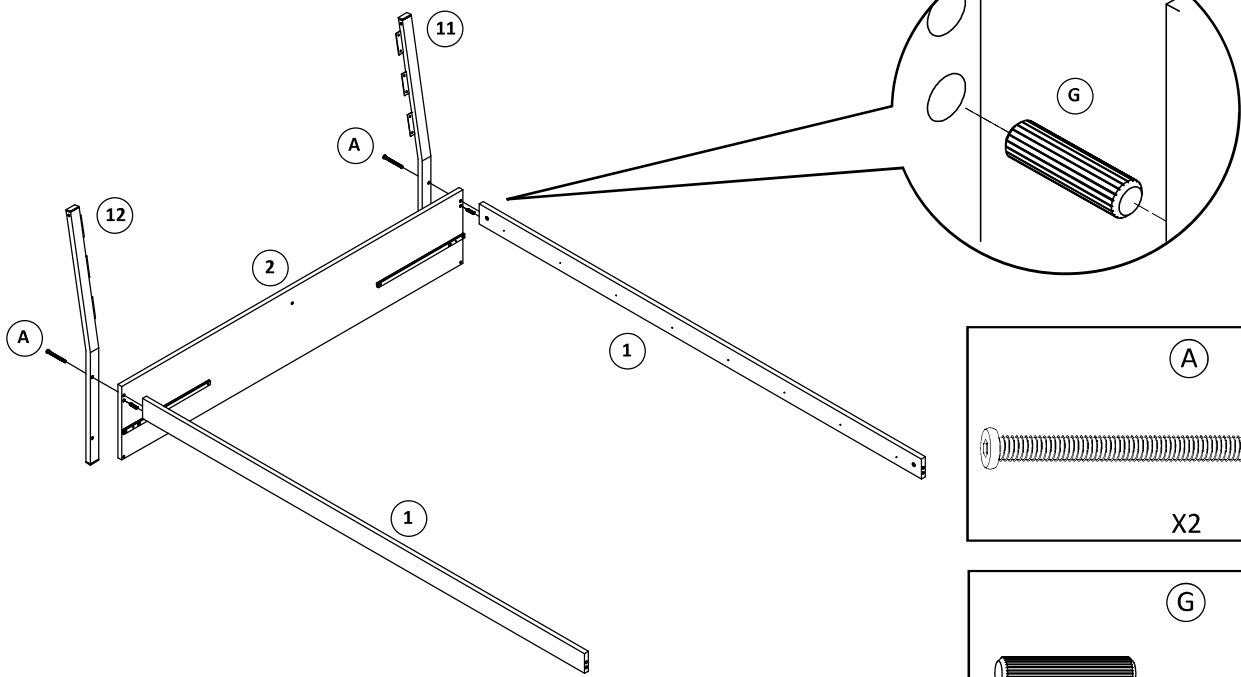
HARDWARE REQUIRED

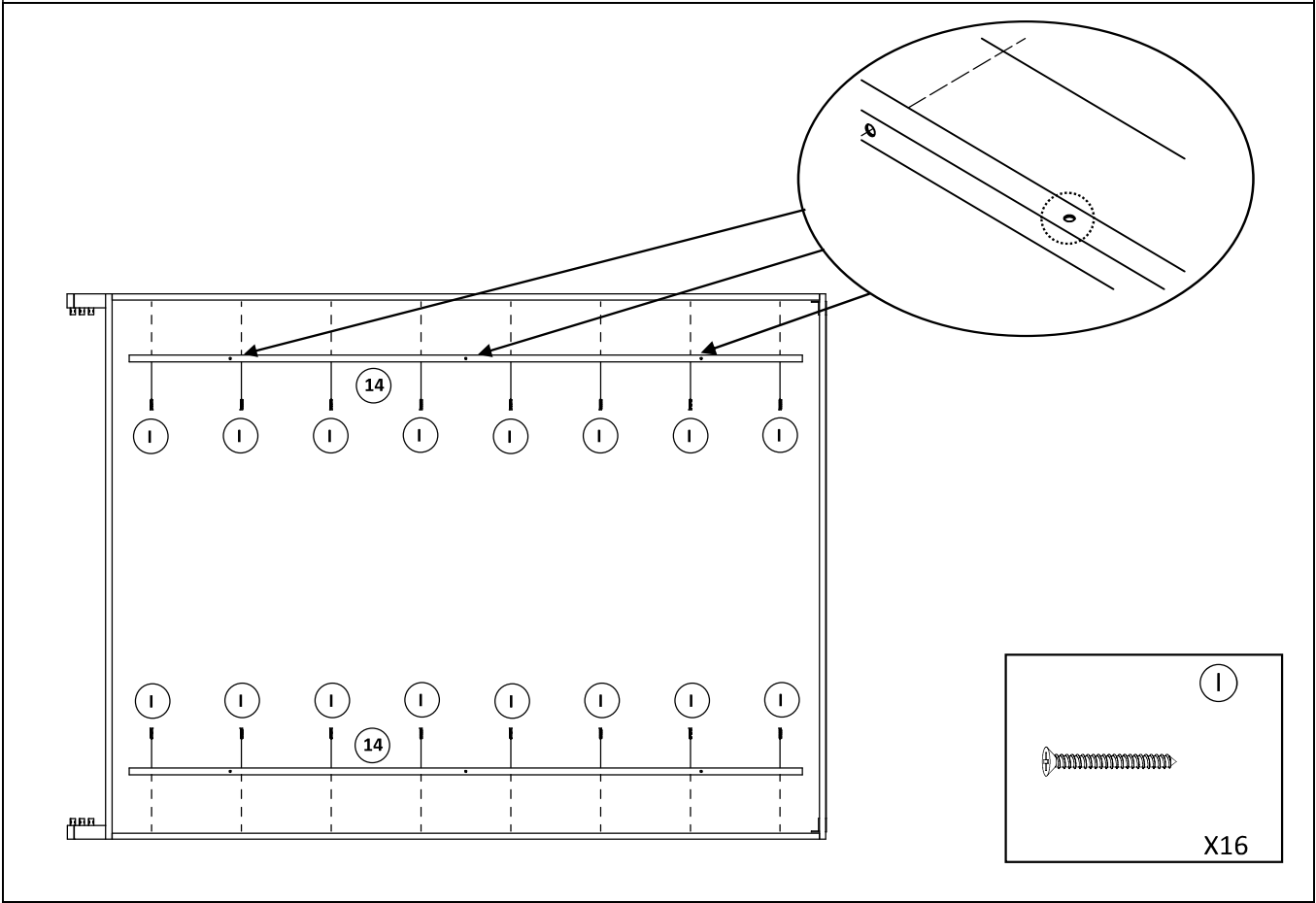
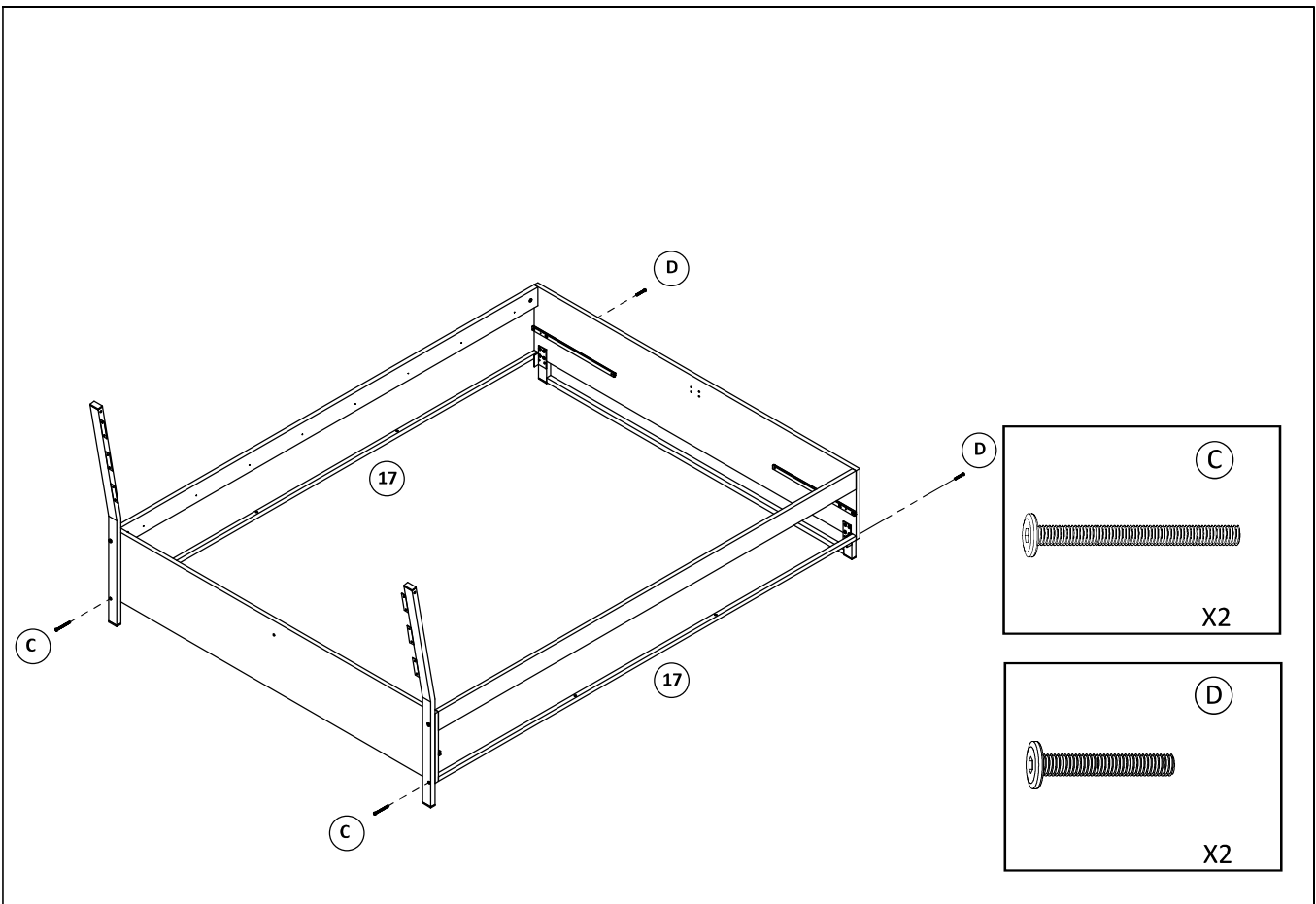
| | | | | | |
|-----|---|----------------|---------|----|-----|
| (A) |  | ALLEN BOLT | M8X80MM | 2 | PCS |
| (B) |  | ALLEN BOLT | M8X63MM | 2 | PCS |
| (C) |  | ALLEN BOLT | M6X63MM | 8 | PCS |
| (D) |  | ALLEN BOLT | M6X38MM | 2 | PCS |
| (E) |  | ALLEN BOLT | M6X12MM | 8 | PCS |
| (F) |  | ALLEN BOLT | M6X35MM | 6 | PCS |
| (G) |  | WOODEN PEG | | 4 | PCS |
| (H) |  | HANGER BOLTS | M6X50MM | 6 | PCS |
| (I) |  | PHILLIPS SCREW | M4X38MM | 40 | PCS |
| (J) |  | PHILLIPS SCREW | M6X14MM | 36 | PCS |
| (K) |  | PHILLIPS SCREW | M4X15MM | 36 | PCS |
| (L) |  | PHILLIPS SCREW | M4X21MM | 12 | PCS |
| (M) |  | PHILLIPS SCREW | M4X12MM | 12 | PCS |
| (N) |  | WASHER | | 12 | PCS |
| (O) |  | HANDLE | | 6 | PCS |
| (P) |  | CROSS HOLE NUT | | 4 | PCS |
| (Q) |  | STUD | | 6 | PCS |
| (R) |  | ALLEN WRENCH | | 1 | PCS |
| (S) |  | ALLEN WRENCH | | 1 | PCS |

Attention

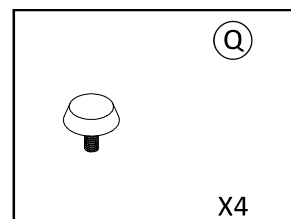
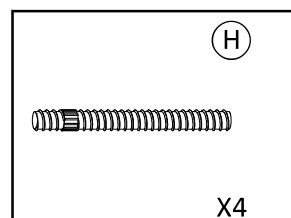
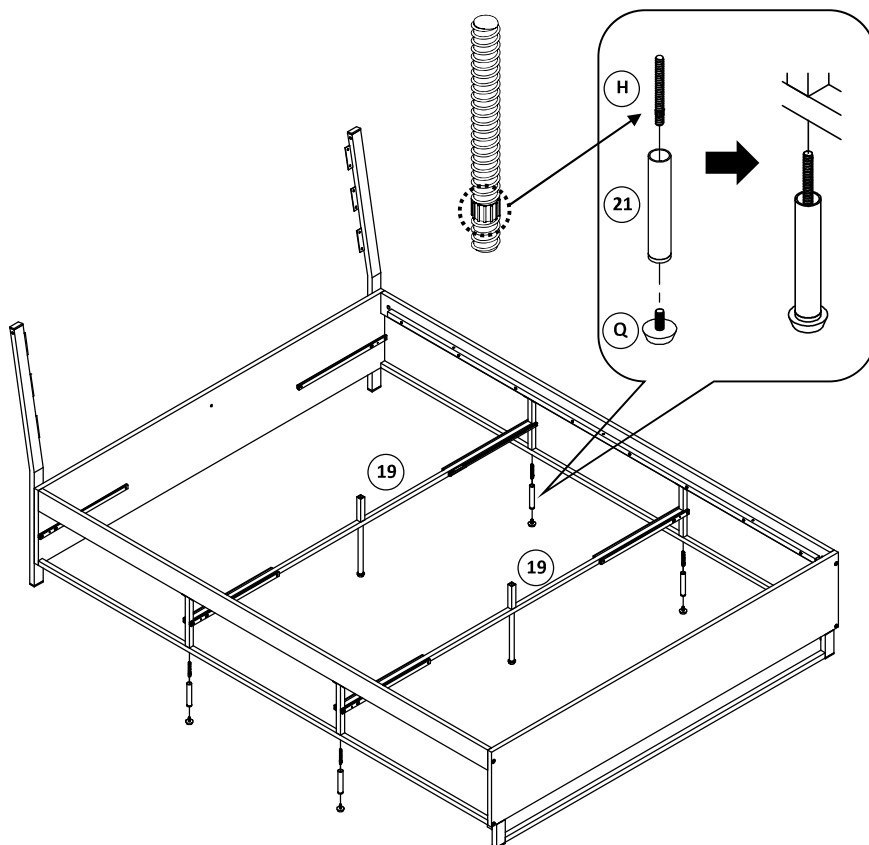
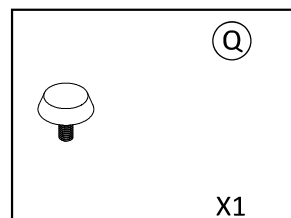
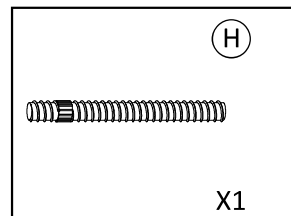
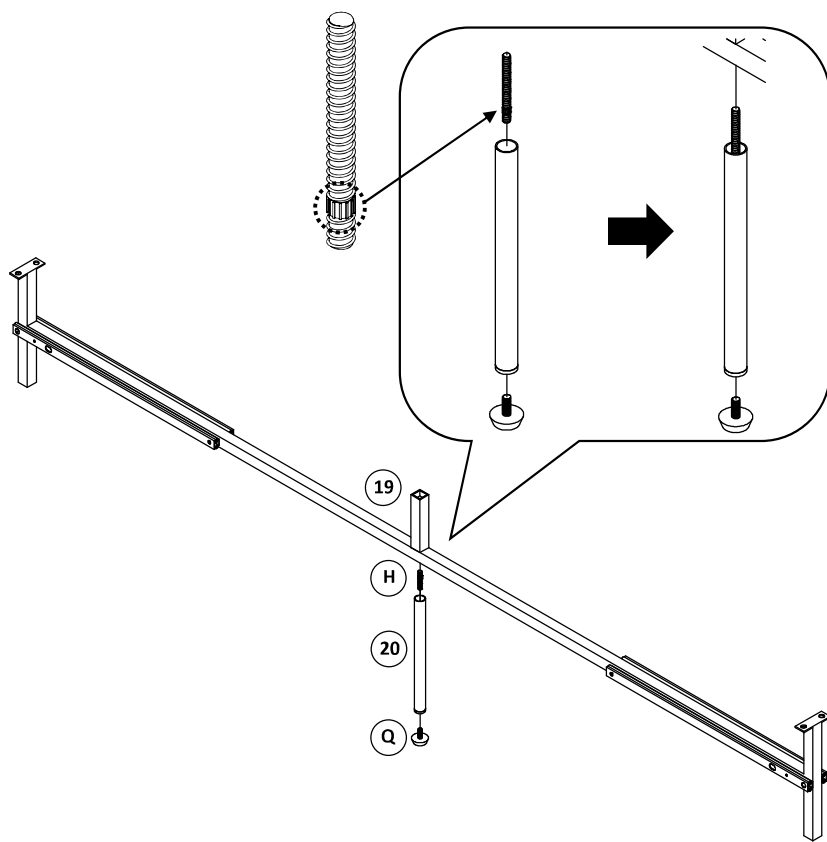
***Some number parts listed on the instruction sheet may not be in parts bag as they may already be assembled.
Carefully check parts and packing materials prior to ordering replacements.

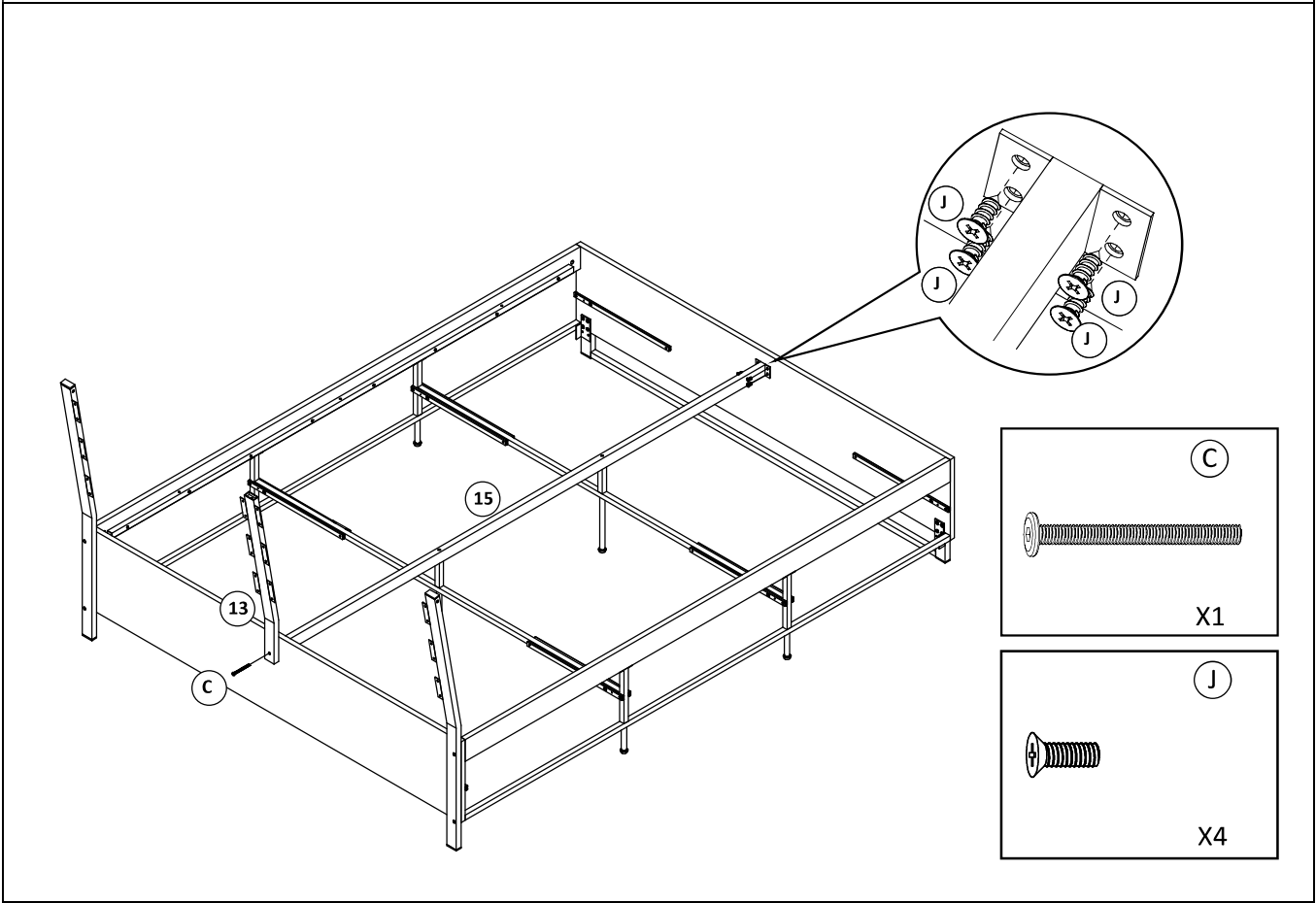
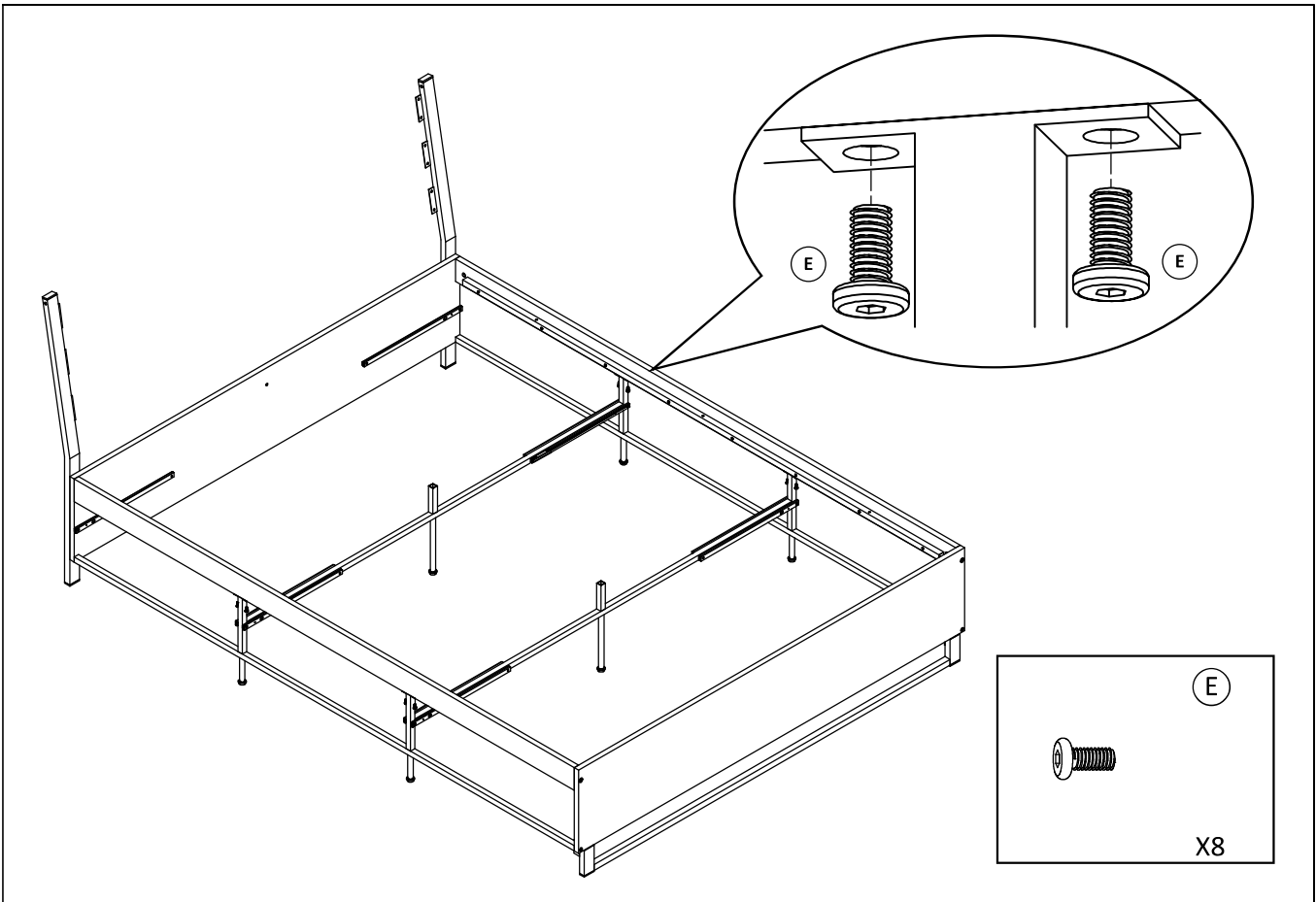


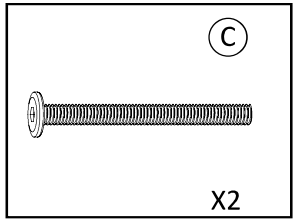
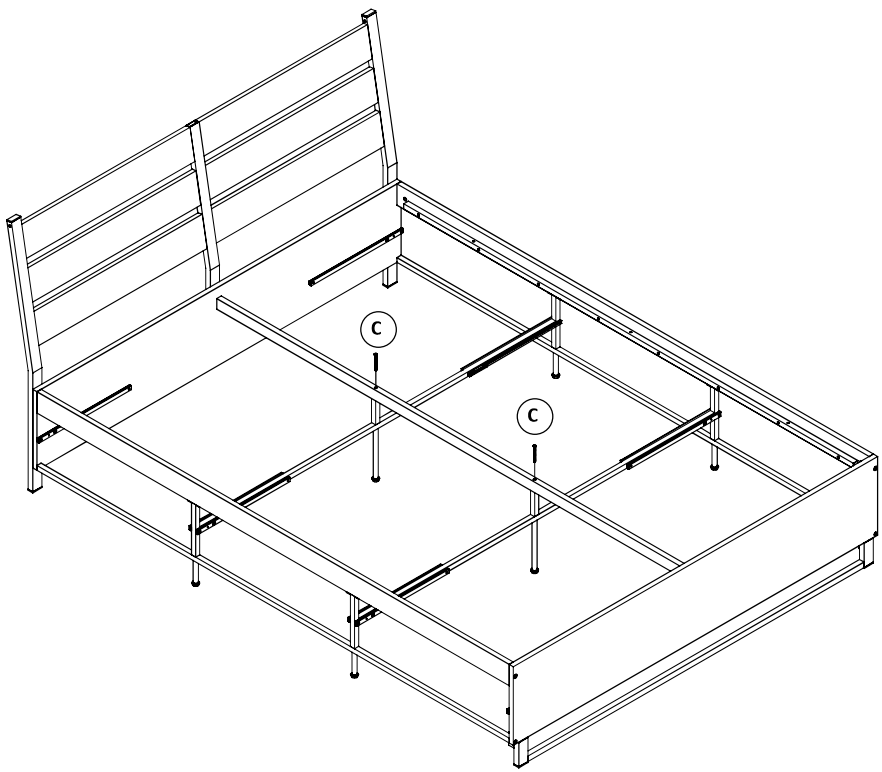
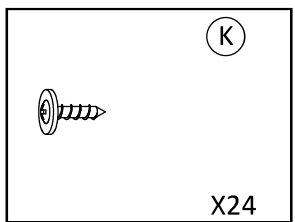
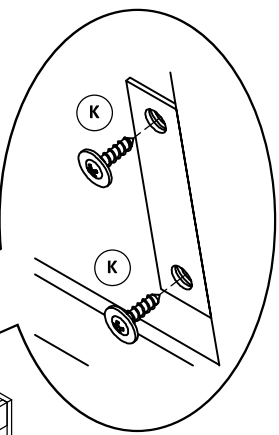
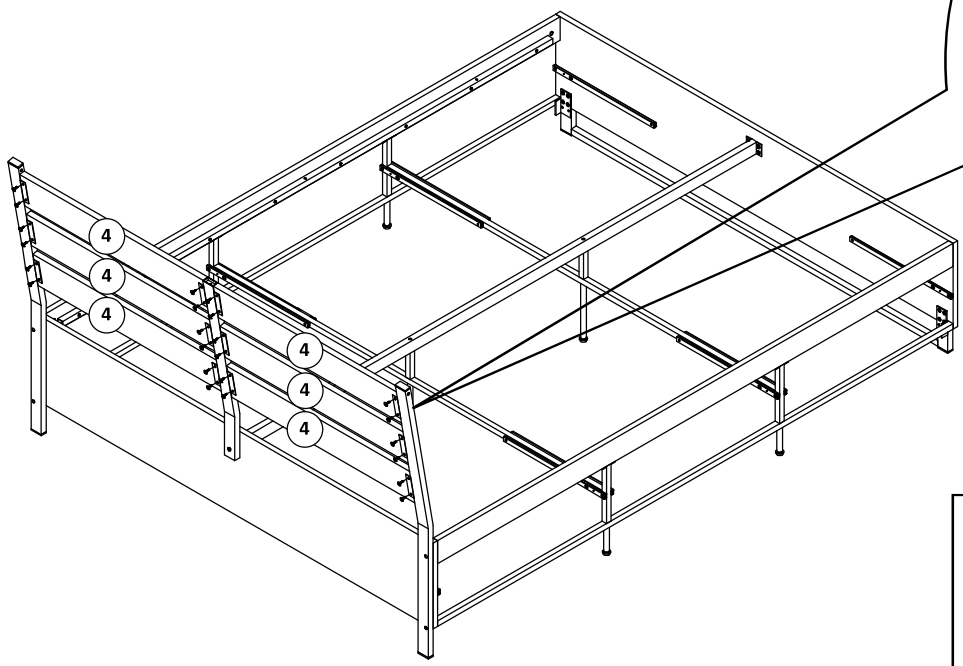


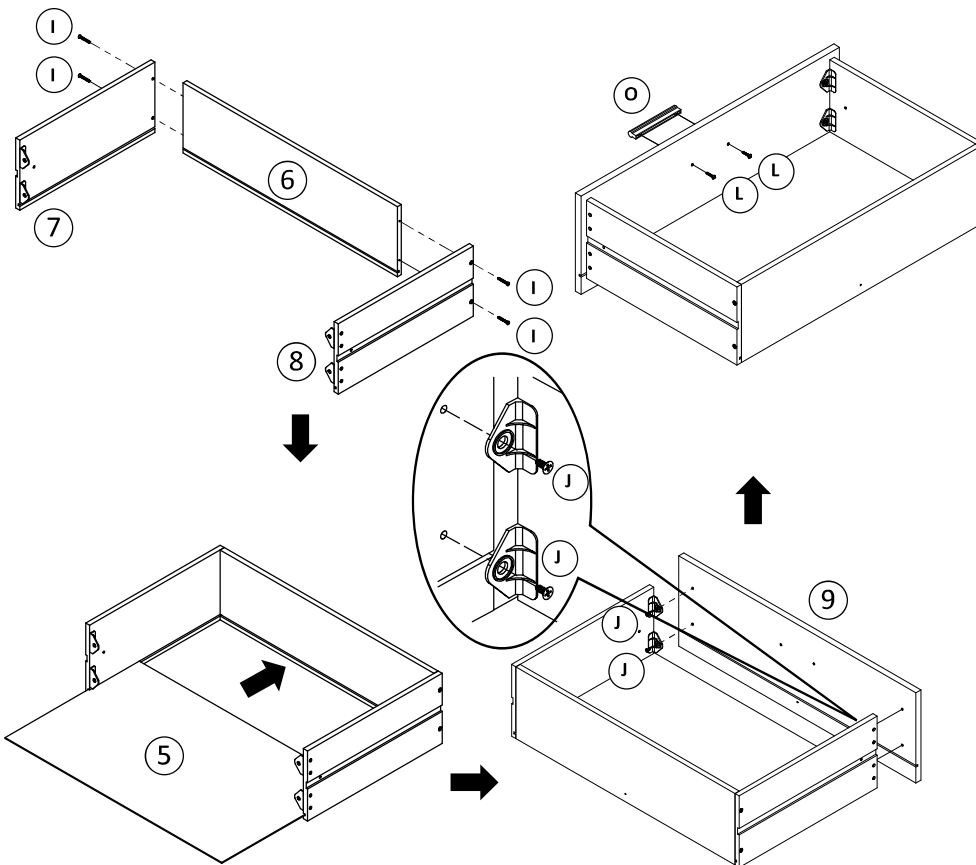
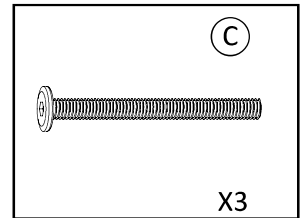
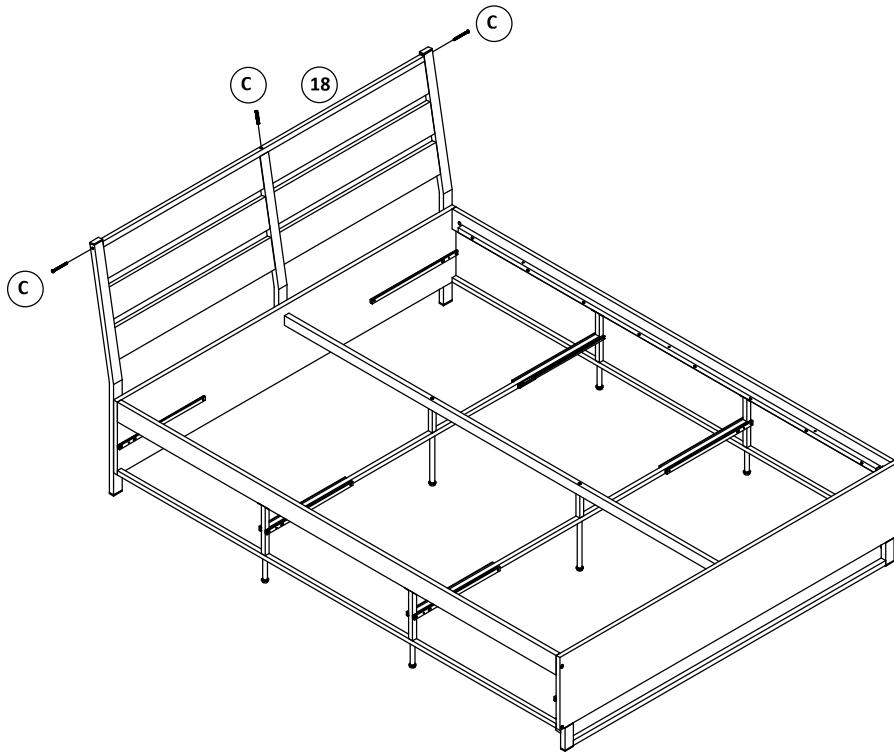


X2

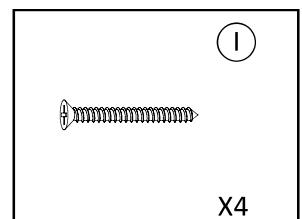
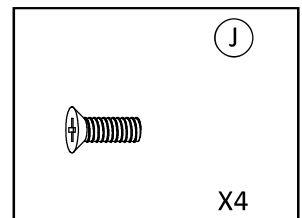
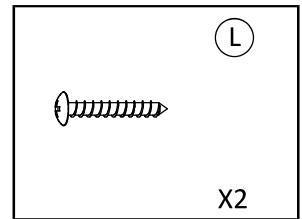








X6



X6

