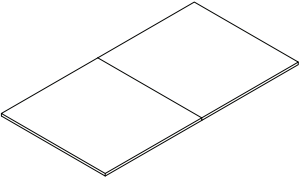
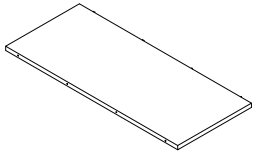
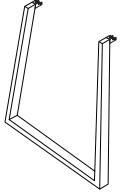
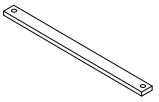
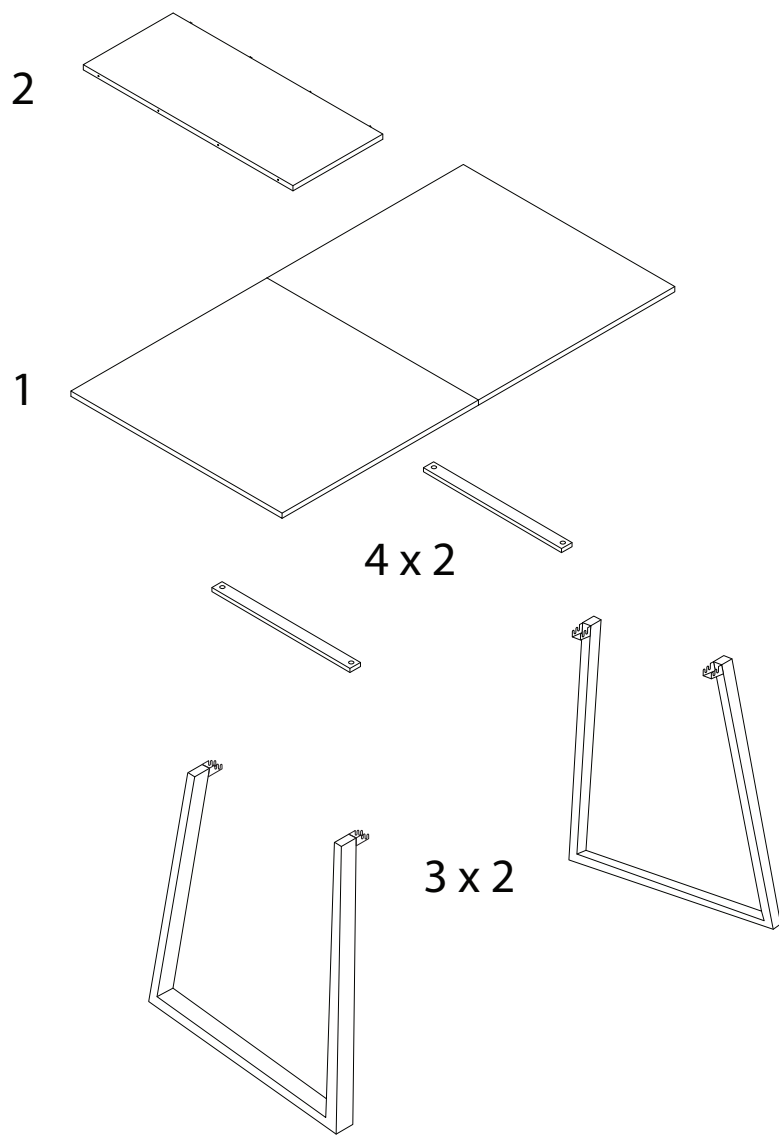
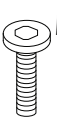
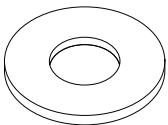
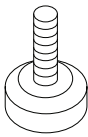



40'

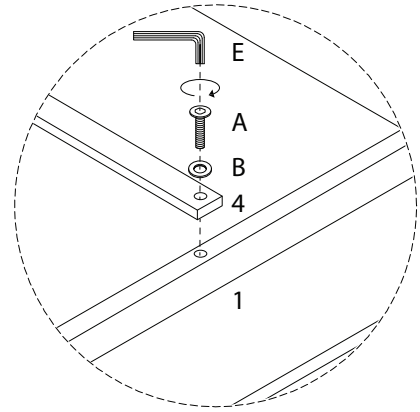
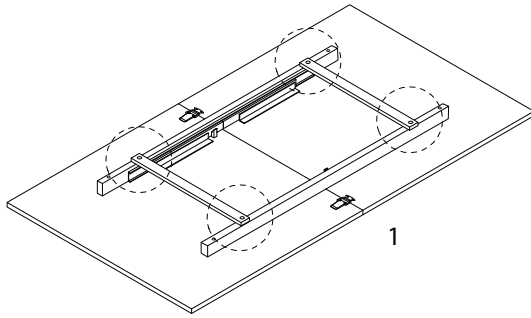
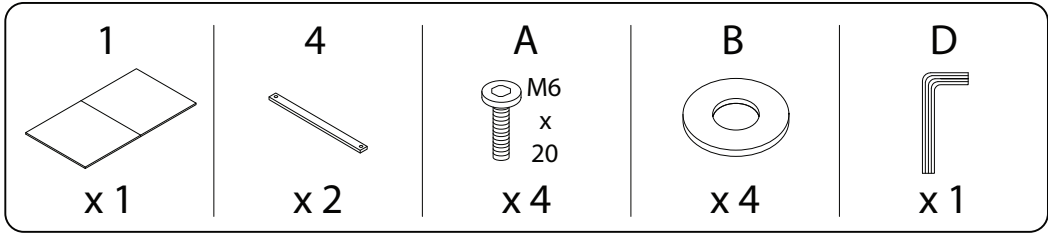
2

<p>1</p>  <p>x 1</p>	<p>2</p>  <p>x 1</p>	<p>3</p>  <p>x 2</p>	<p>4</p>  <p>x 2</p>
---	---	--	---

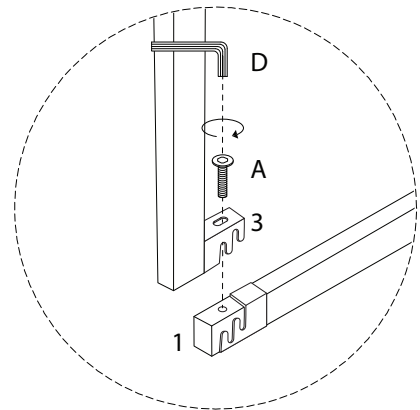
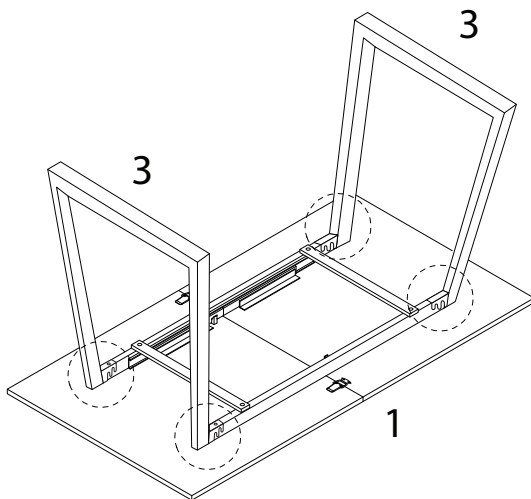
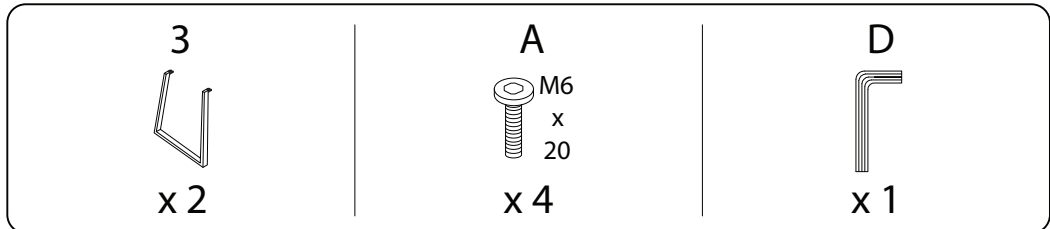


<p>A</p>  <p>M6 x 20</p> <p>x 8</p>	<p>B</p>  <p>x 4</p>	<p>C</p>  <p>x 4</p>	<p>D</p>  <p>x 1</p>
--	---	--	---

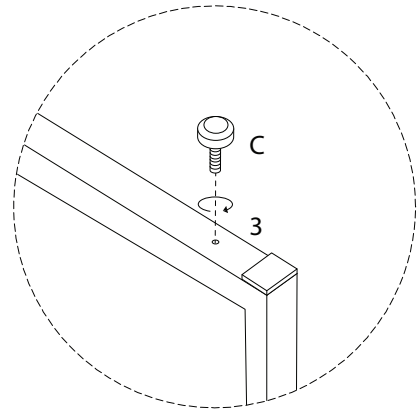
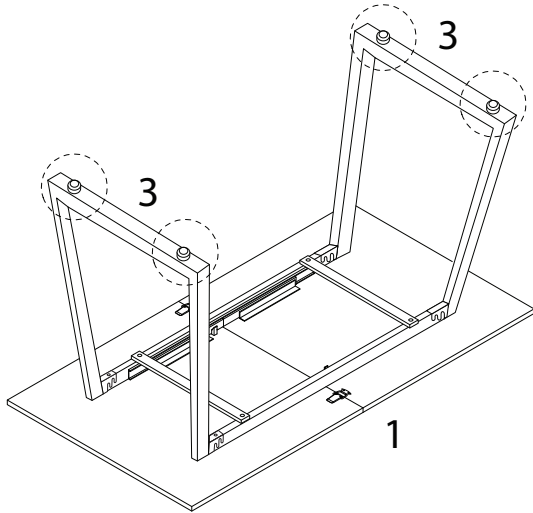
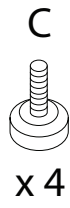
1



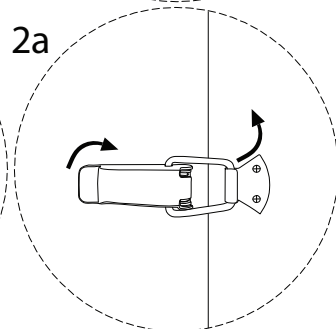
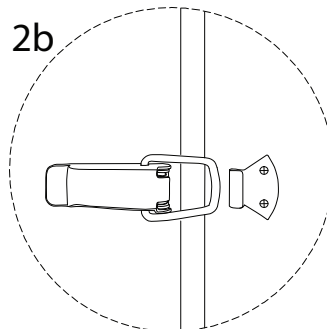
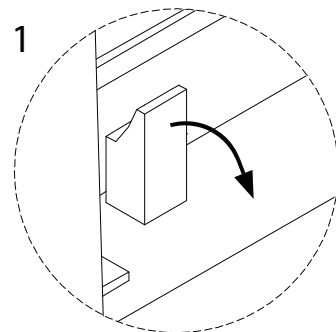
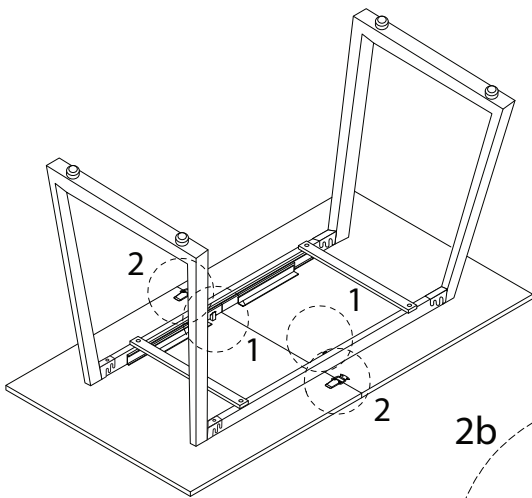
2



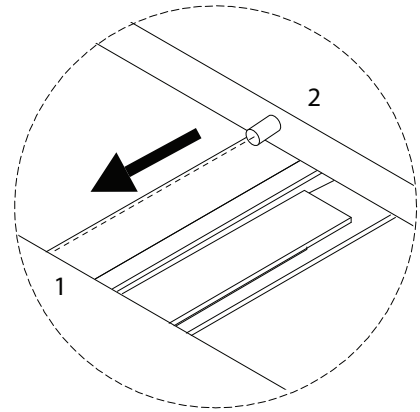
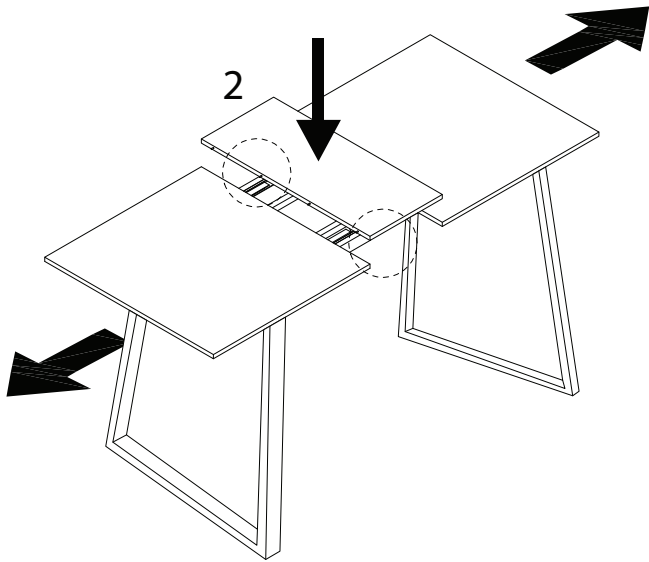
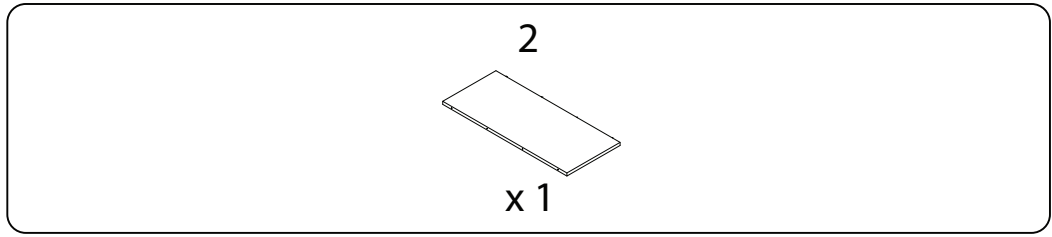
3



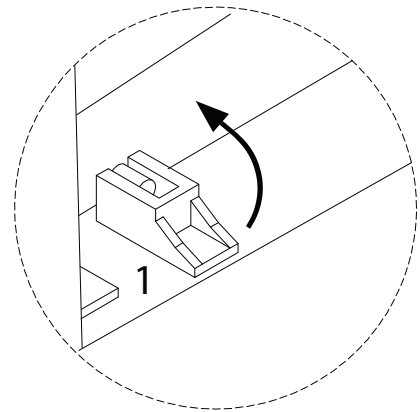
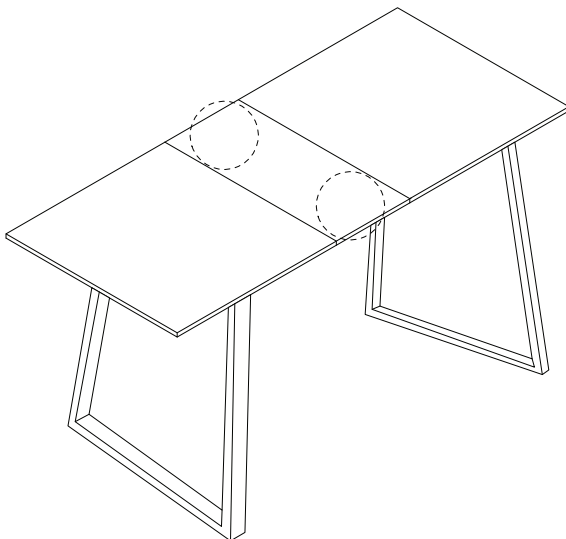
4



5



6



7

