

"Lakewood" 118" Ext Dining Table



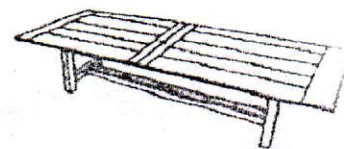
DEAR CUSTOMER,

Congratulations on your purchase of this Solid Teak Table!

To assemble this table, you need 1 Medium Hammer

Please unpack the carton and check that you have all components listed.

IMPORTANT: Please ensure all color coded components match up to each other in order to correctly build the furniture.



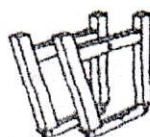
LIST OF COMPONENTS:



6x Bolts
(Set)



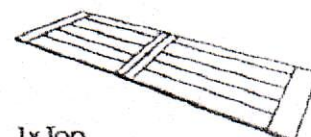
4x Thick Dowels



2x Legs



1x Rail



1x Top

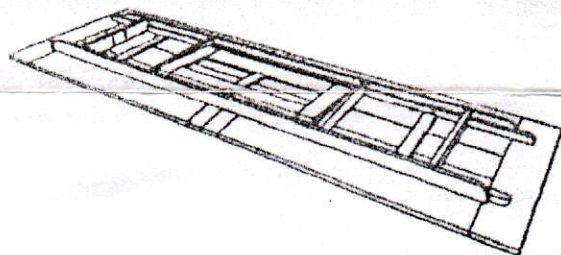


1x Umbrella Plug



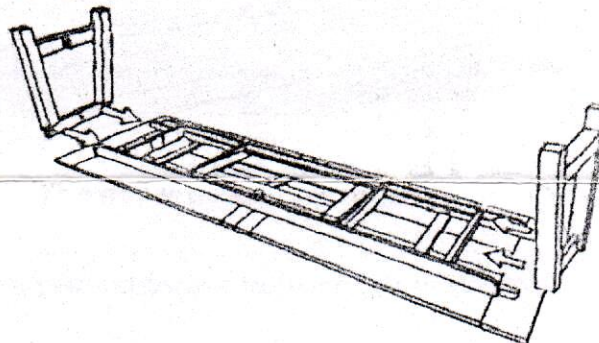
2x Half
Umbrella Plugs

STEP 1/6



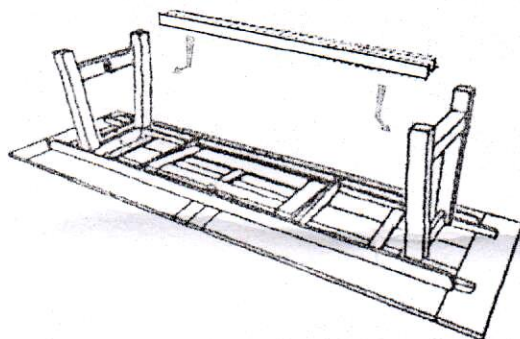
Lay Top section upside down on flat surface.

STEP 2/6



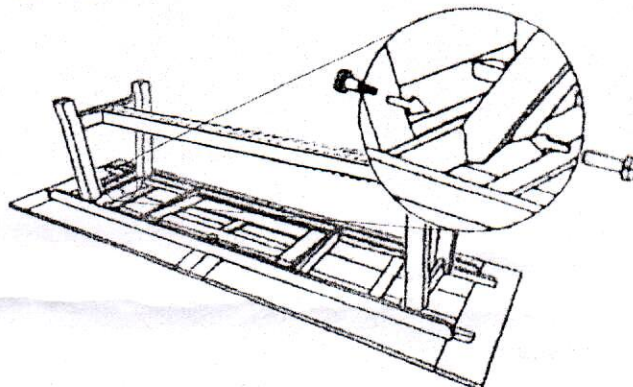
Insert Leg sections into the Top, as shown in the picture above.

STEP 3/6



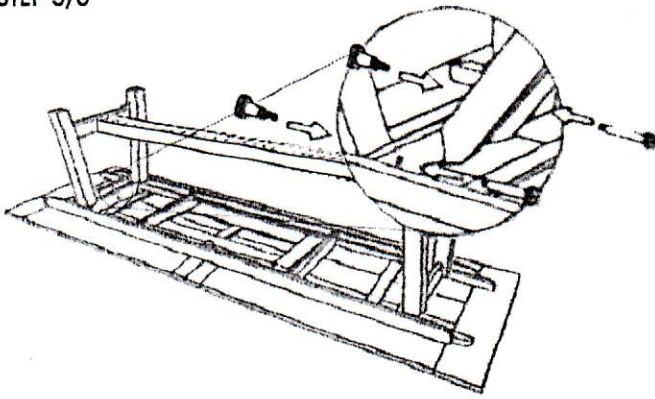
Insert Rail section into the structure, as shown in the picture above.

STEP 4/6



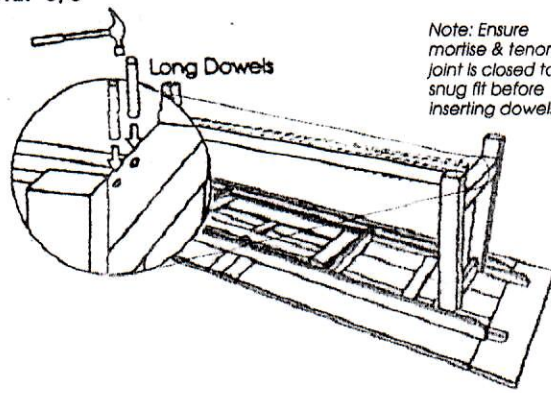
Insert and tighten Bolt (Set) into the middle hole on the leg support, as shown in the picture. Repeat step for the other side.

STEP 5/6



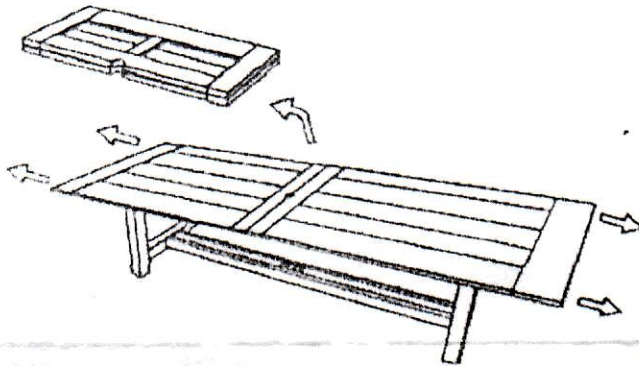
Insert and tighten 2 Bolts into the pre-drilled holes on the leg support, as shown in the picture. Repeat step for the other side.

STEP 6/6



Note: Ensure mortise & tenon joint is closed to a snug fit before inserting dowels.

Insert 2 Dowels into the pre-drilled holes under the leg by using Medium Hammer carefully. Repeat step for the other side.



ADDITIONAL INFORMATIONS

To open extension(s):
Slide table top open. Raise extension(s) and swivel them out of its storage position. Slide the table top back and ensure that the joints of top and extension(s) are closed.

To stow away extension(s):
Slide table top open until the stoppers. Release the extension(s) from their locking-pins so that they can swivel freely into their storage compartment. Slide table top back to their closed position.

NOTES:

- You have to take the extension(s) away to put umbrella in unextended-mode.
- 2x Half Umbrella Plugs are only usable in extended-mode.

Congratulations, you have just finished building your own Solid Teak Table,