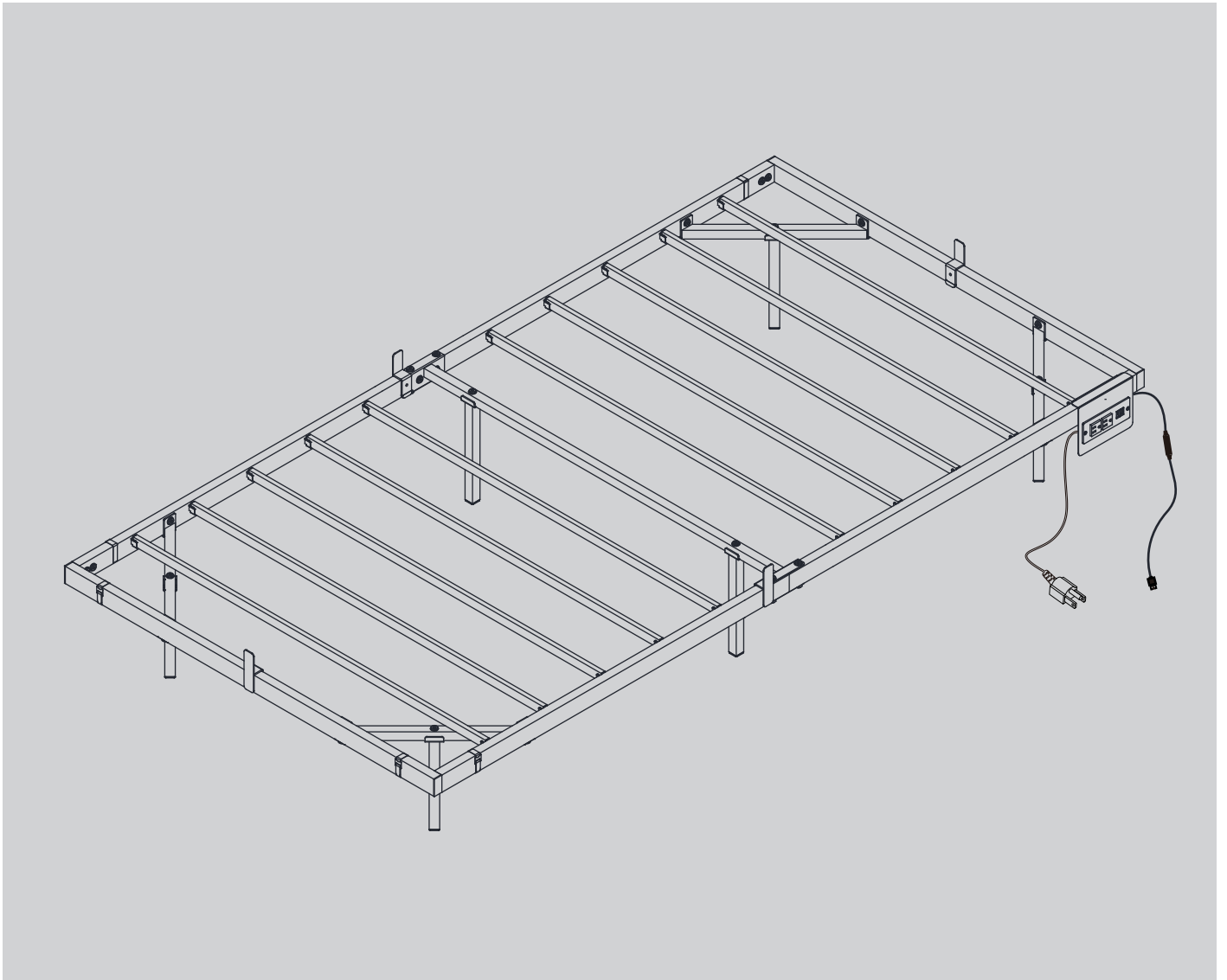






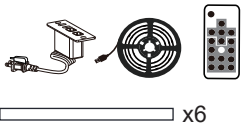
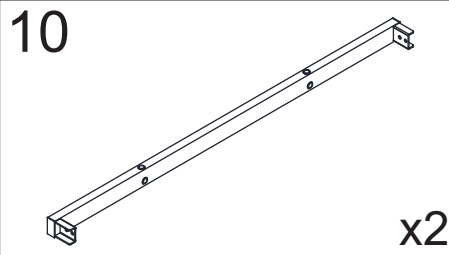
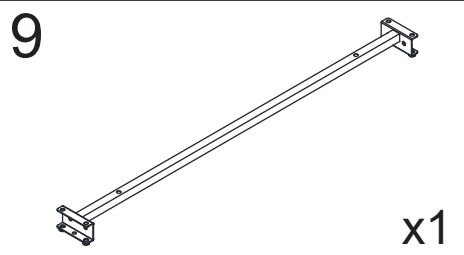
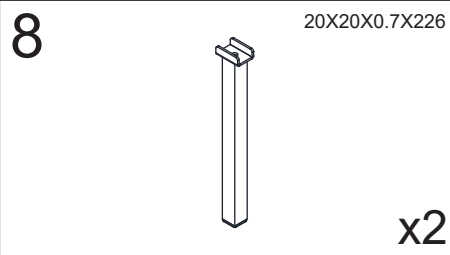
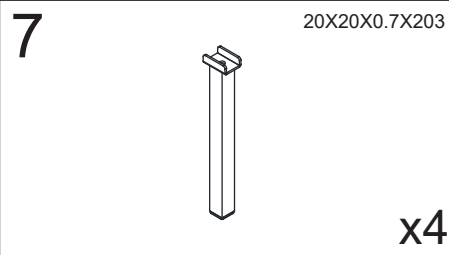
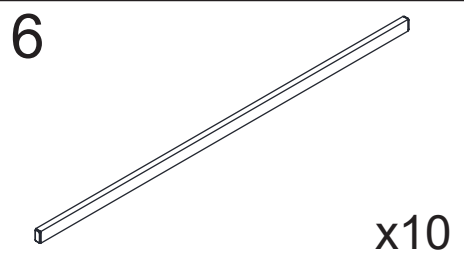
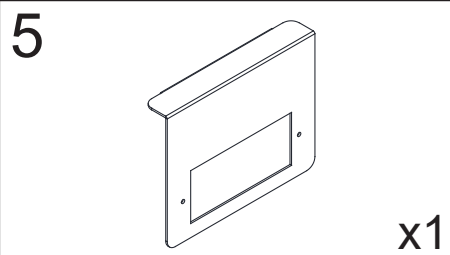
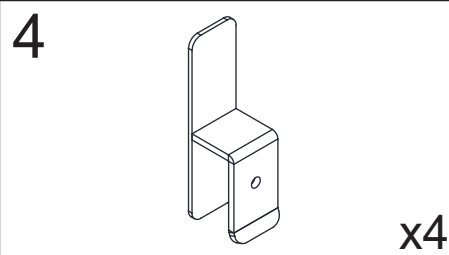
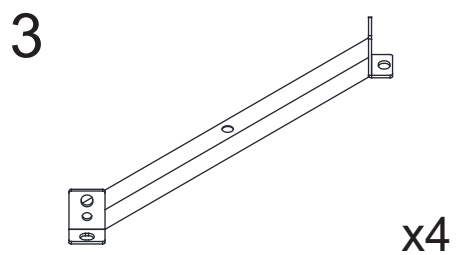
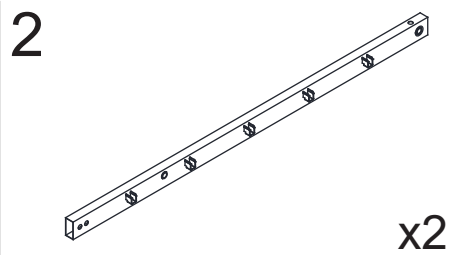
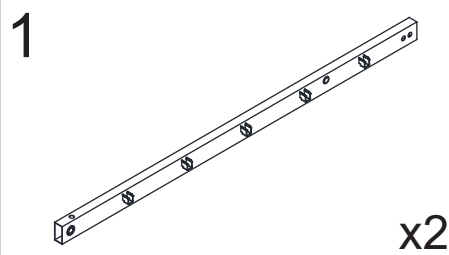
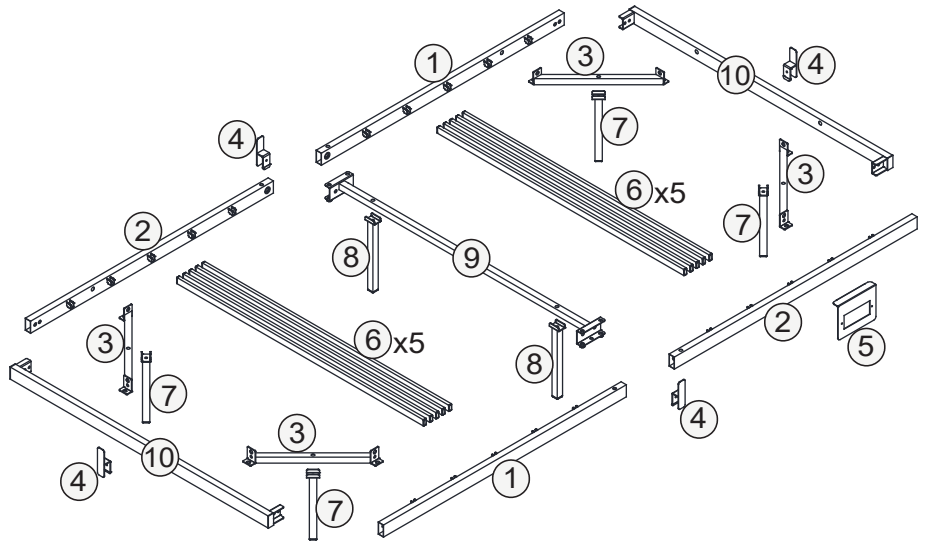


BED FRAME

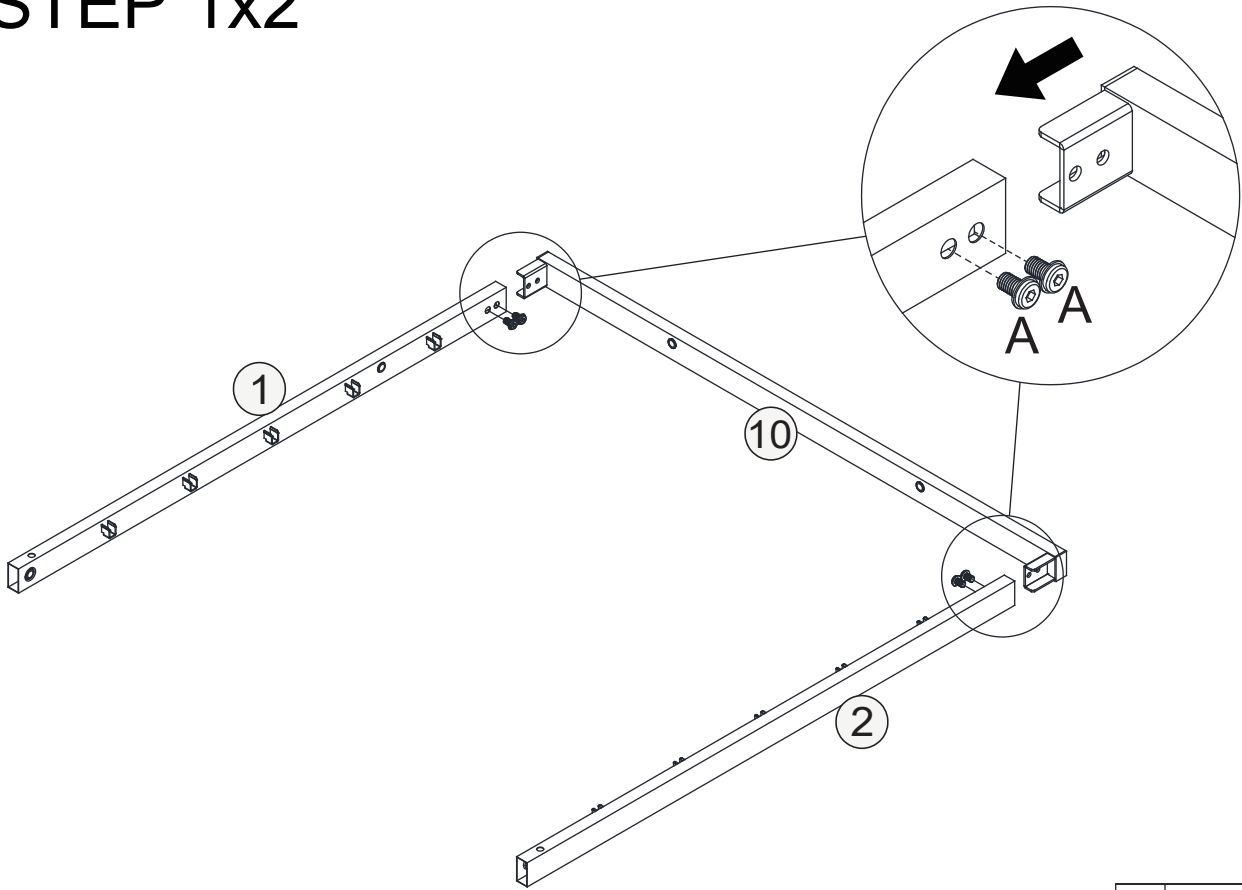


Thank you for choosing our products, please assemble and use it following the instructions.

A		M8X14	x28
B		M8X30	x6
C		M8X55	x4
E		M4X10	x2
F		M6	x1
G		M8	x1
D			x1

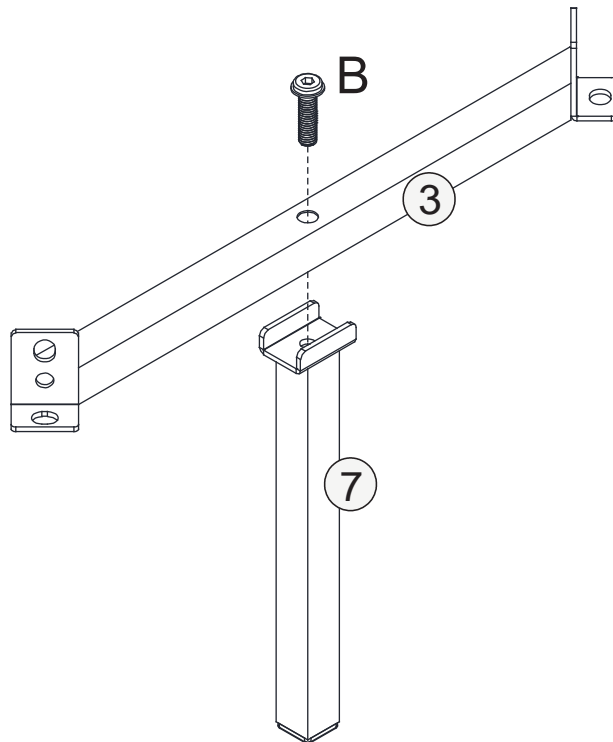


STEP 1x2



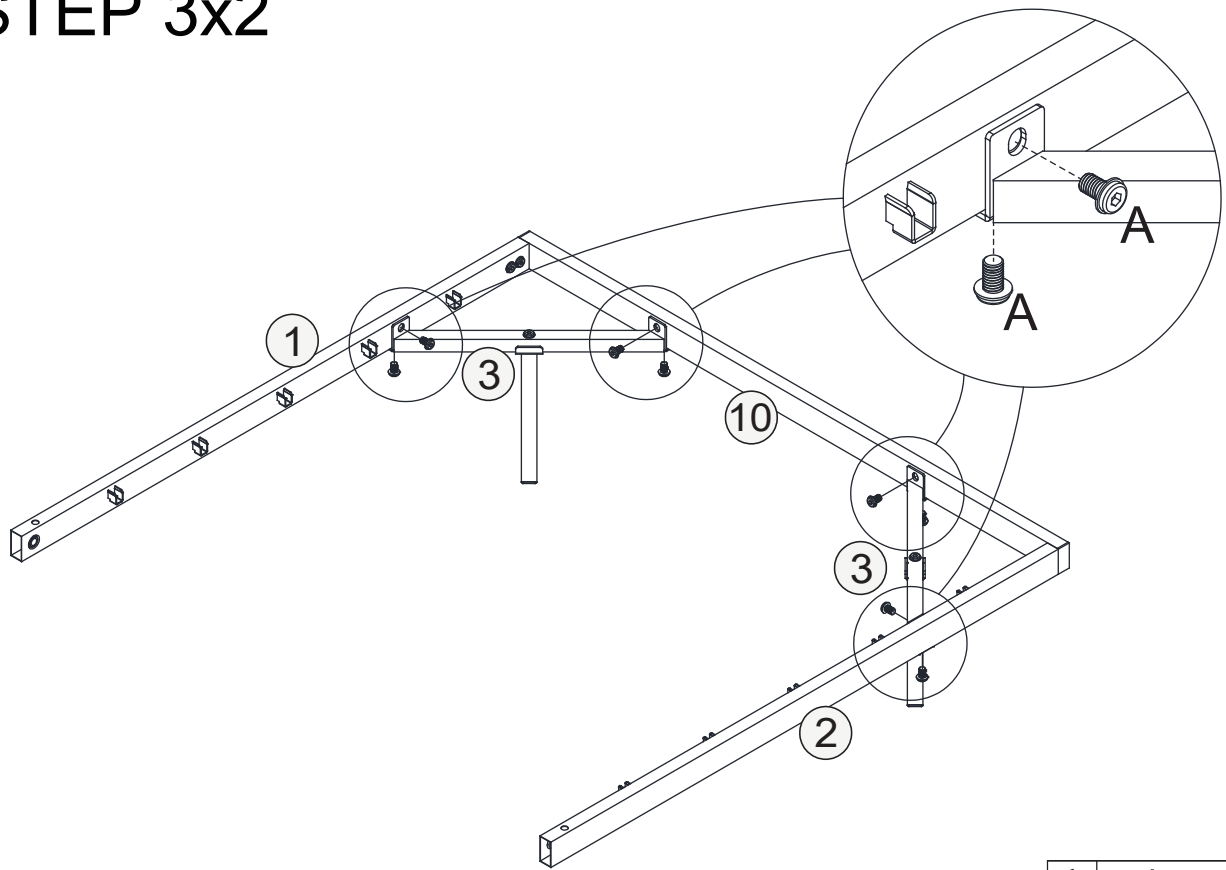
A		x8
---	---	----

STEP 2x4



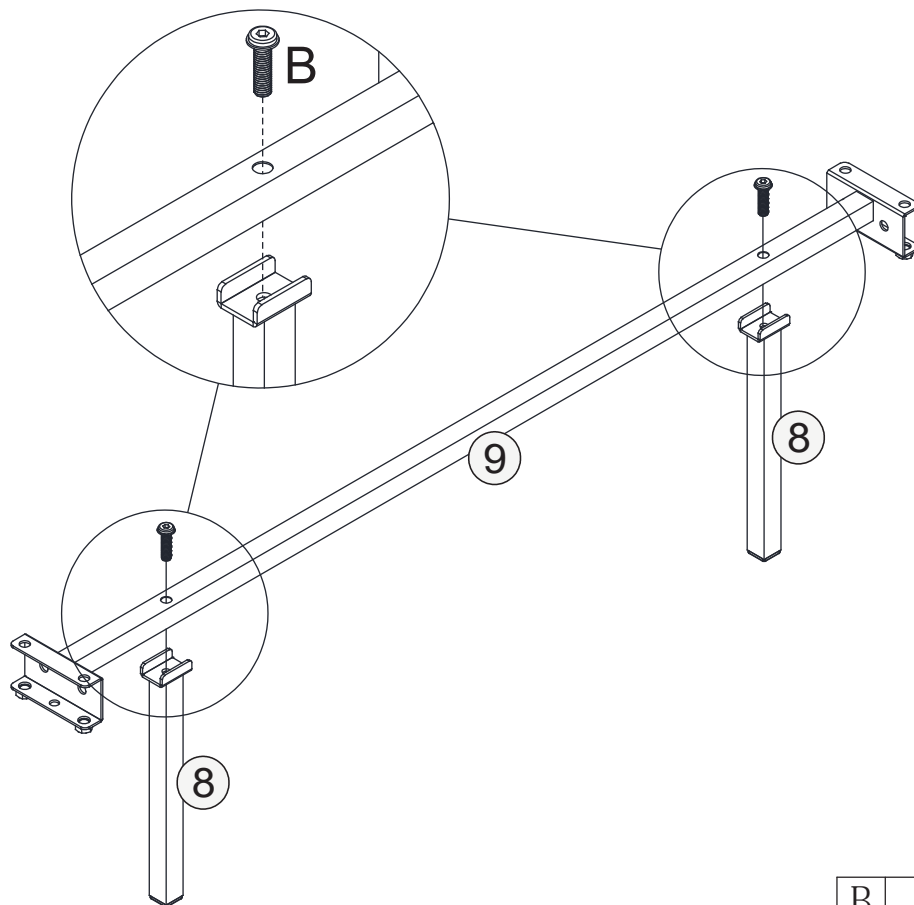
B		x4
---	---	----

STEP 3x2



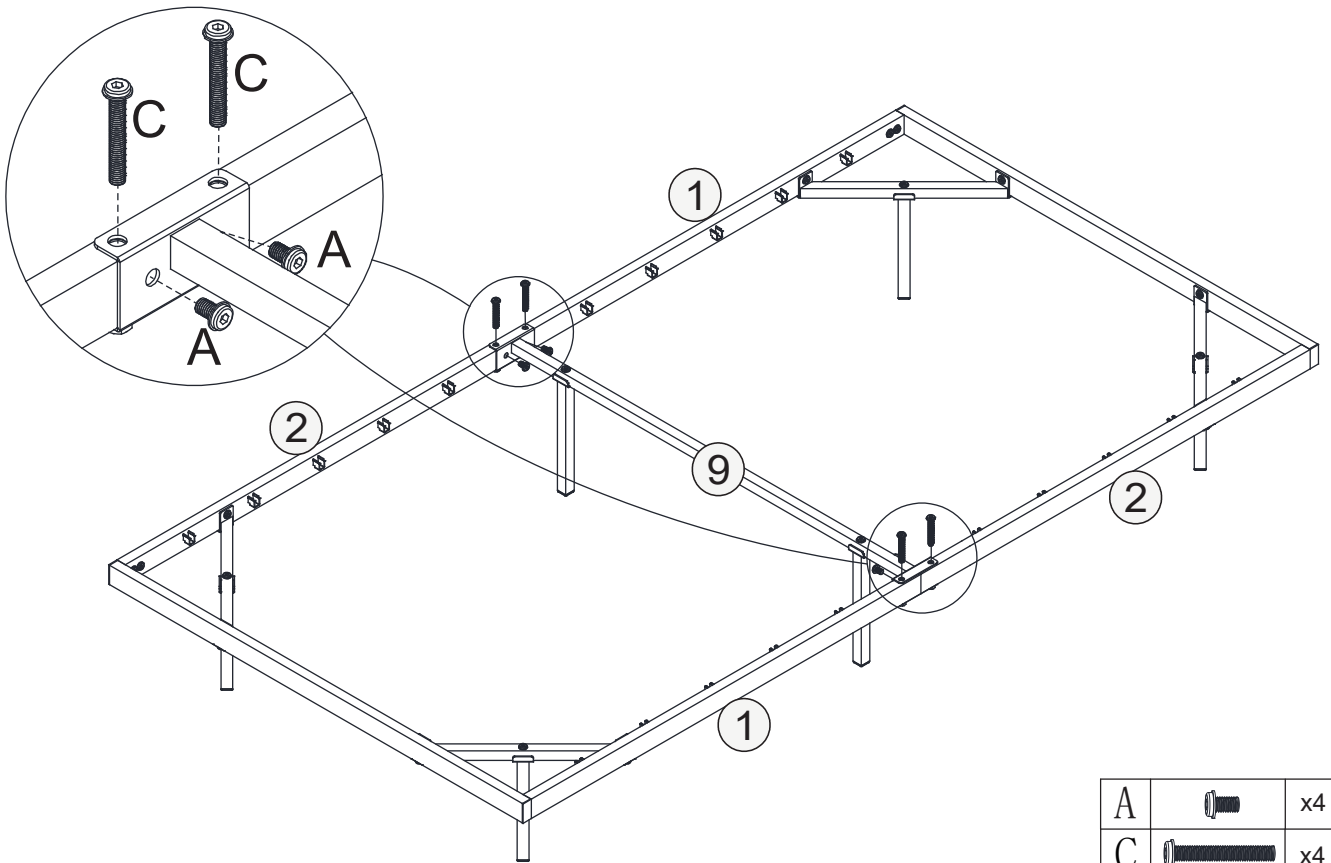
A		x16
---	---	-----

STEP 4



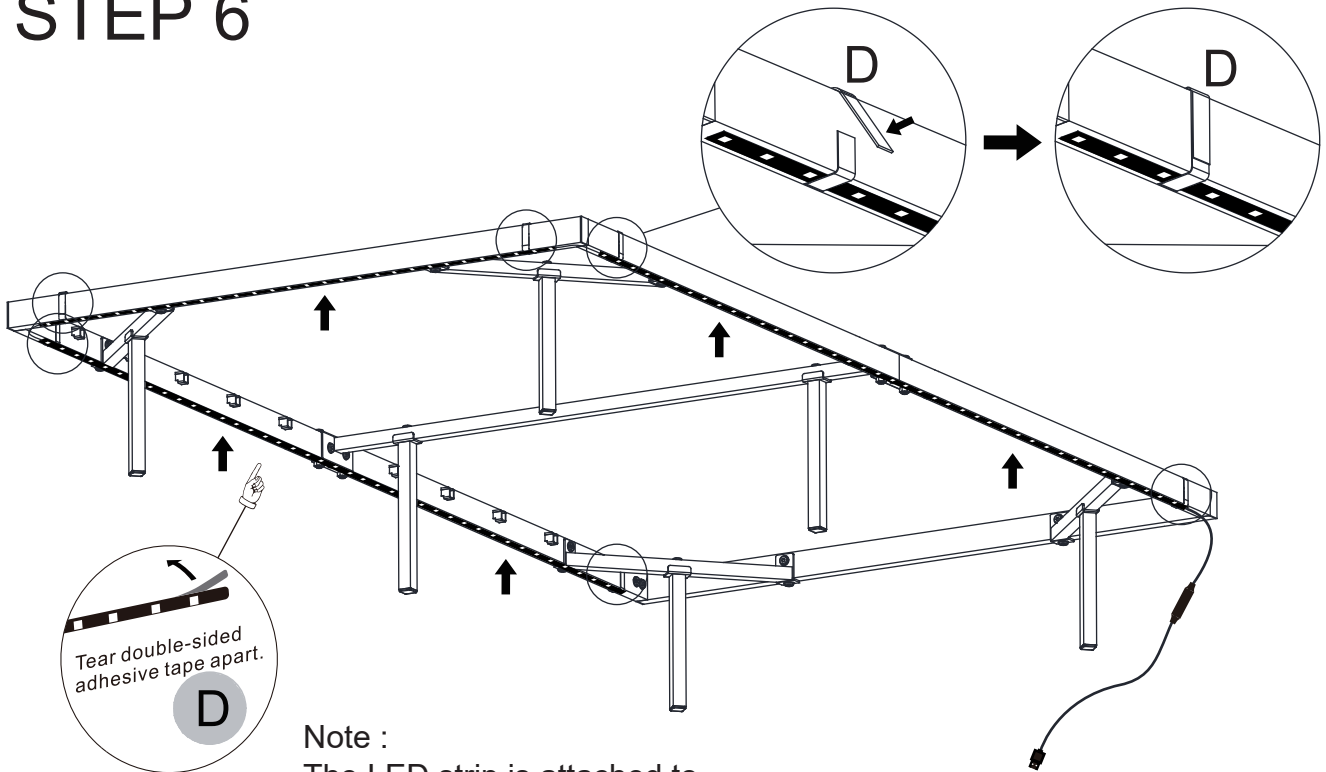
B		x2
---	---	----

STEP 5



A		x4
C		x4

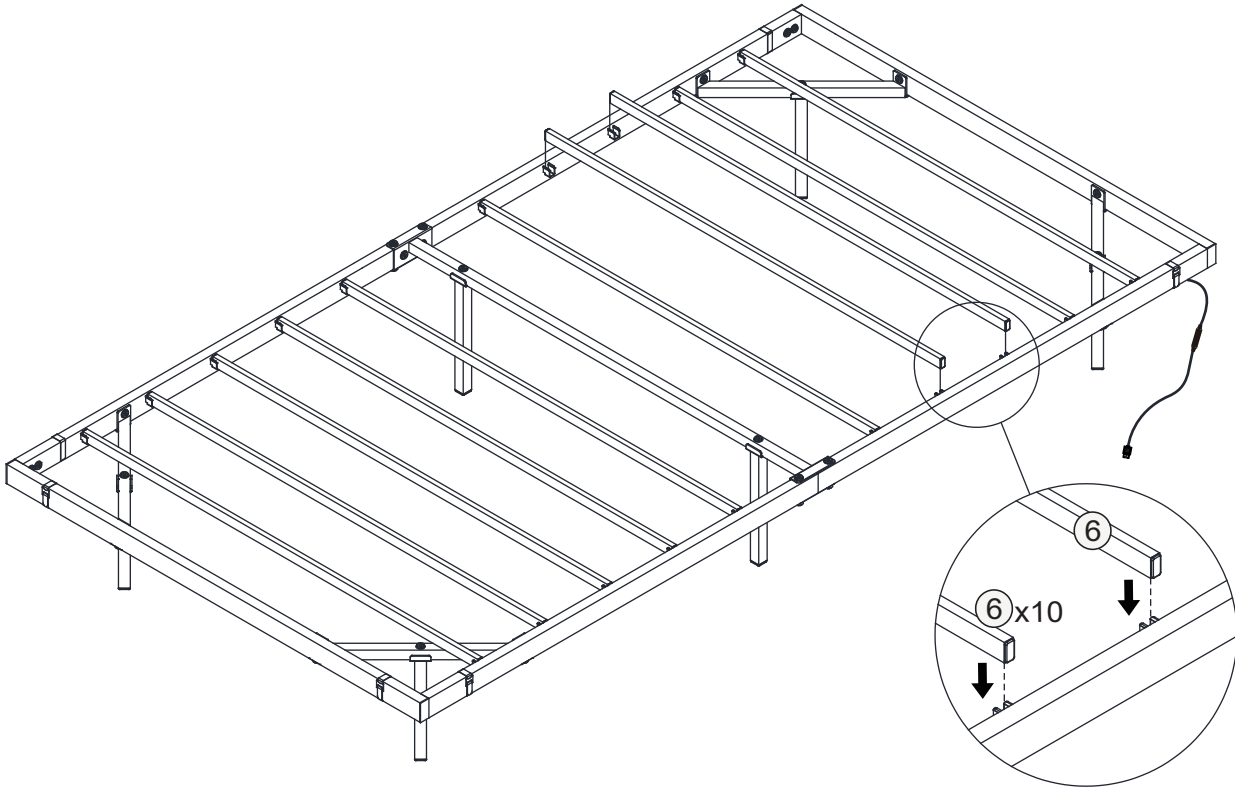
STEP 6



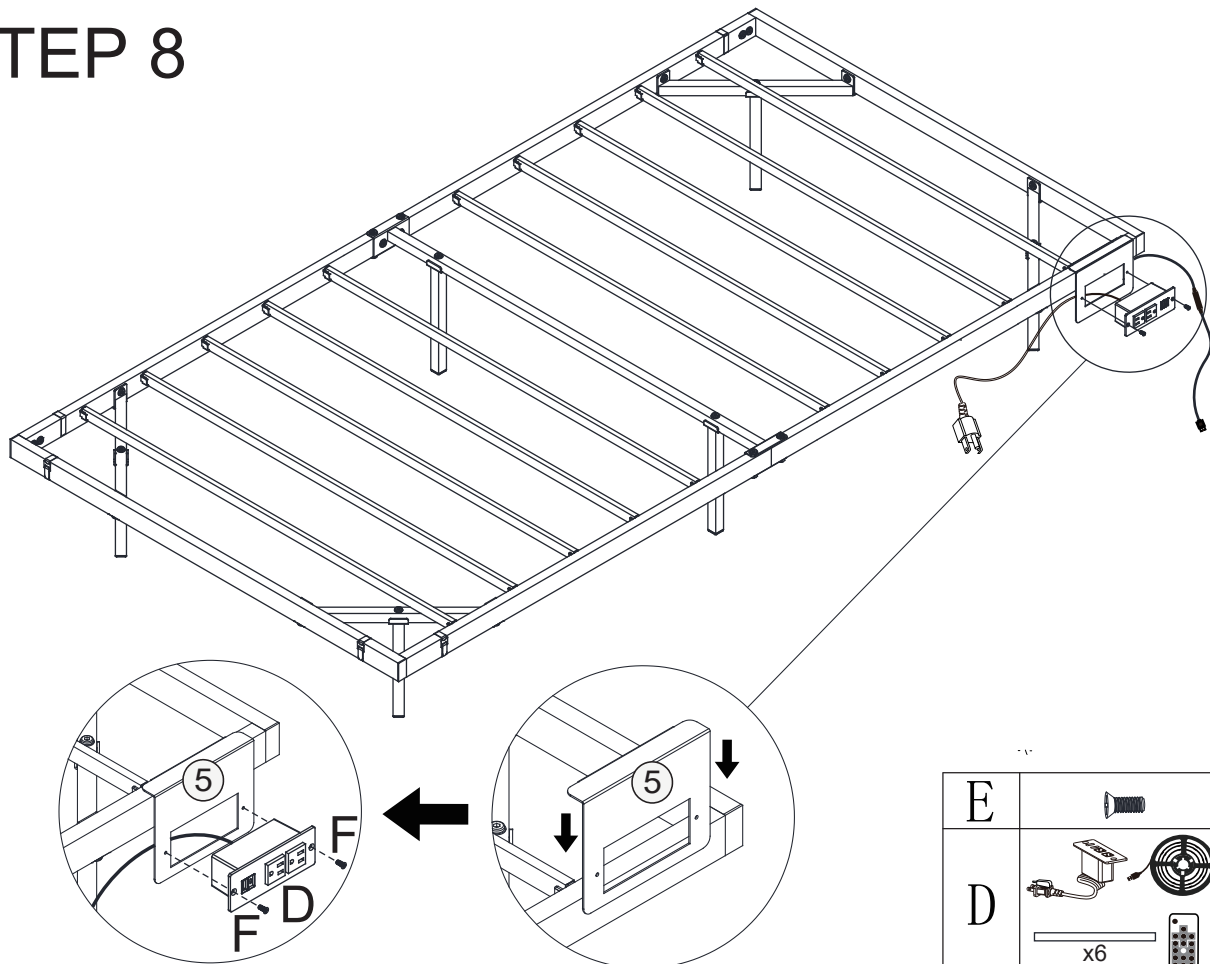
Note :
The LED strip is attached to the place as shown on the graph




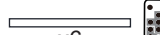
D		x1
		x6

STEP 7

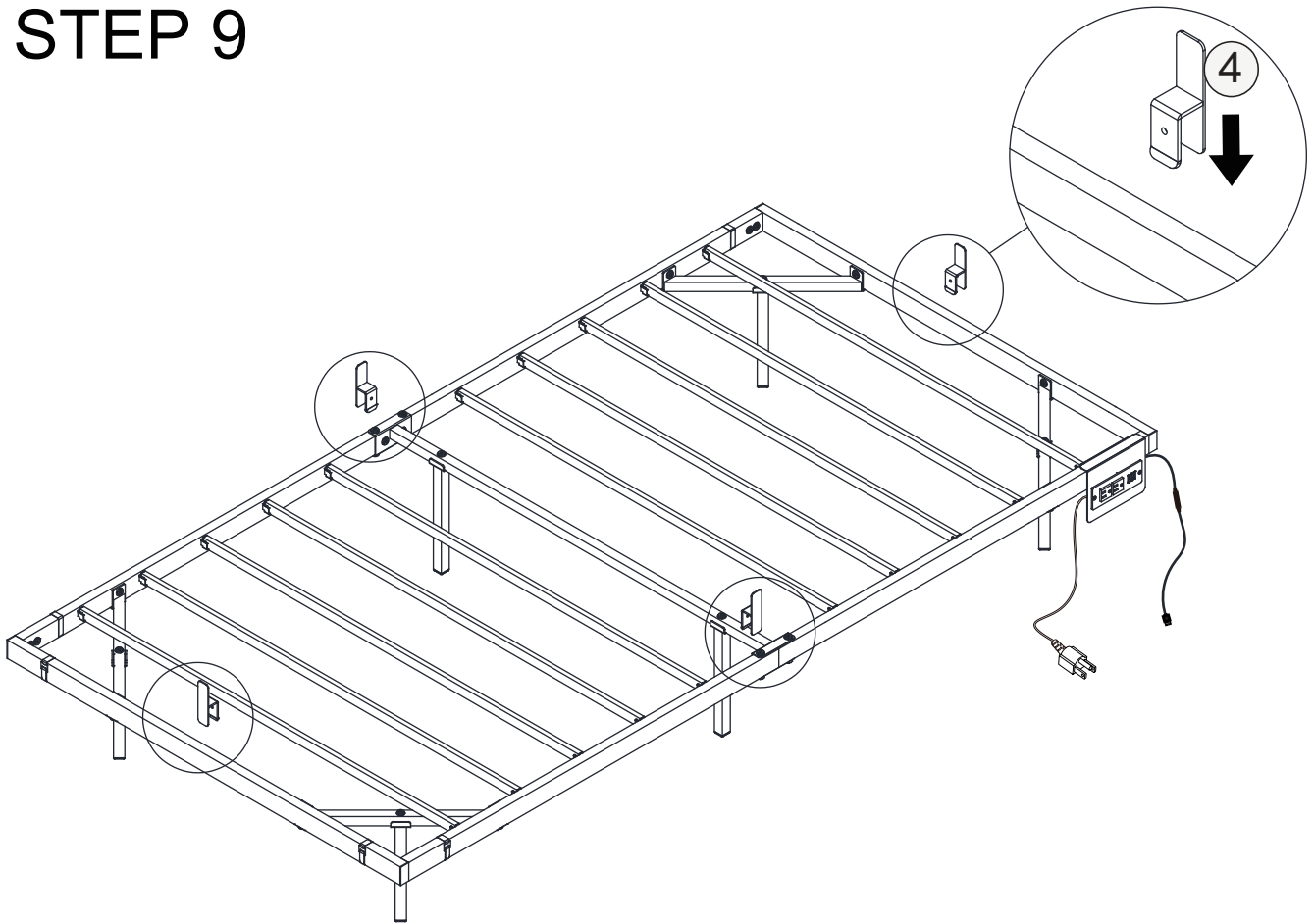


STEP 8



E		x2
D	   x6	x1

STEP 9



STEP 10

