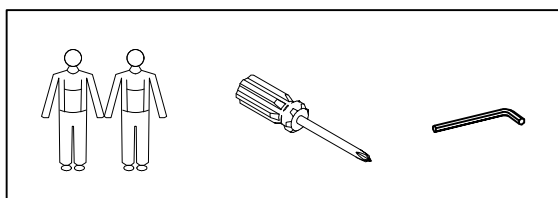
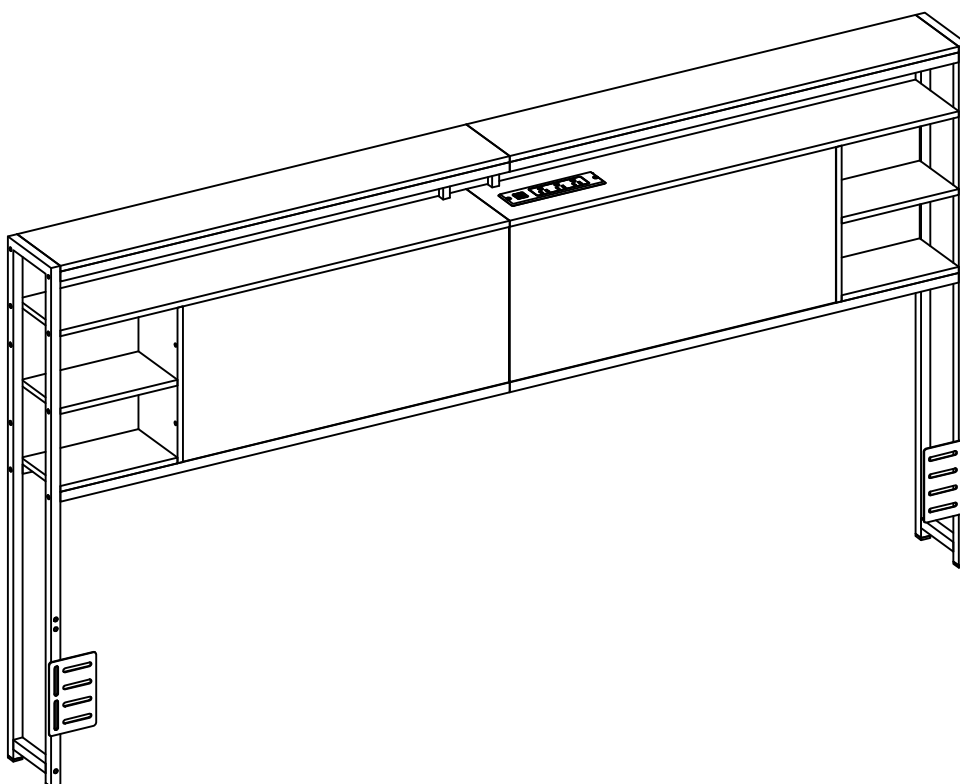


HEADBOARD WITH LED LIGHT

ASSEMBLY INSTRUCTION



CAUTION

Put the screws in loosely until all pieces are together and then tighten them all.
It will save your time if you make a mistake while installing.

Dear Customers,

Thank you for purchasing our products.

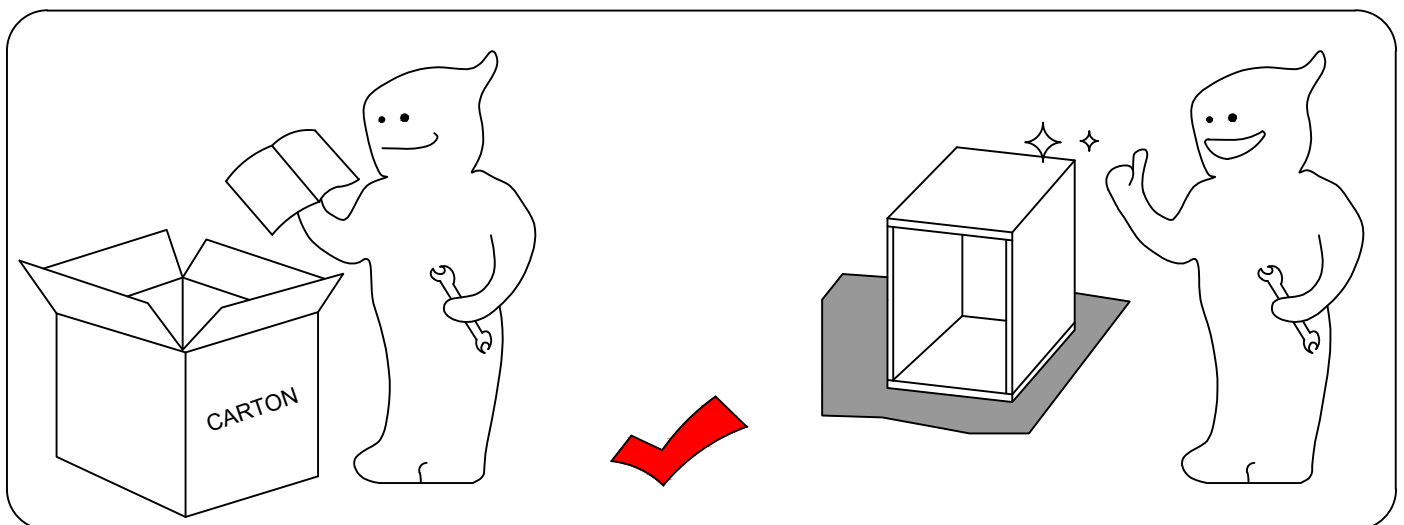
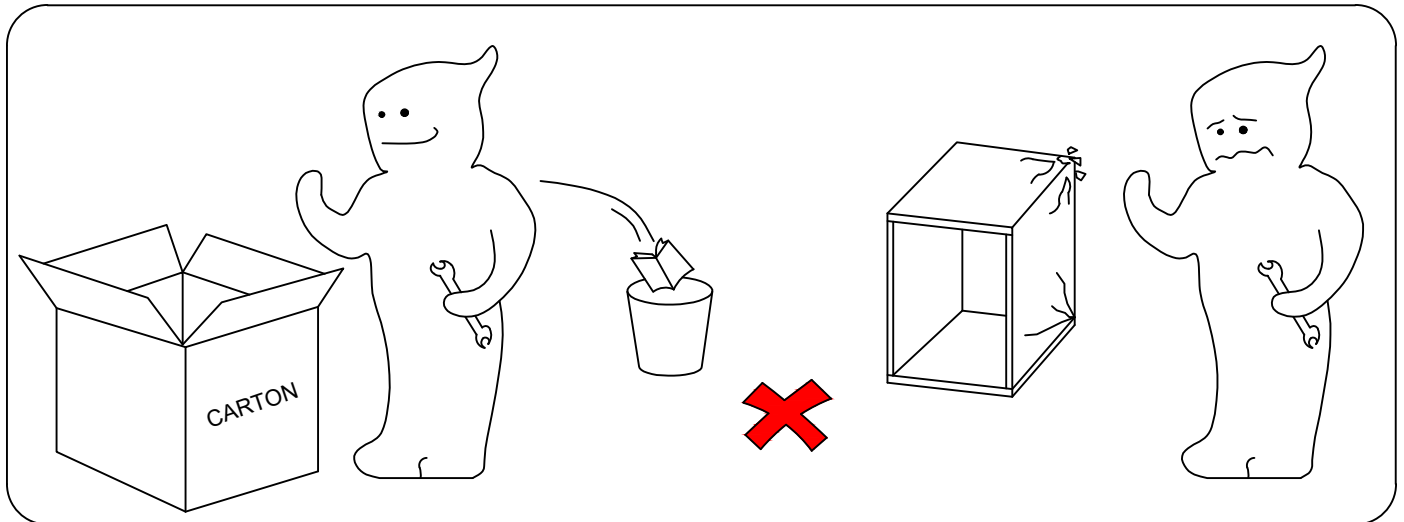
As a reliable seller, we have been pursuing to provide customers with 100% satisfied products and services, so we hope that you will enjoy this shopping experience.

If you find any damage, missing parts, or dissatisfaction after receiving the product, please contact us freely at the first time. We will provide you with a 100% satisfactory solution.

Thanks again for your order. Please feel free to contact us from our store or **the email address on the carton** in case of any problem regarding assembling or the product itself. We will do everything we can to resolve it.



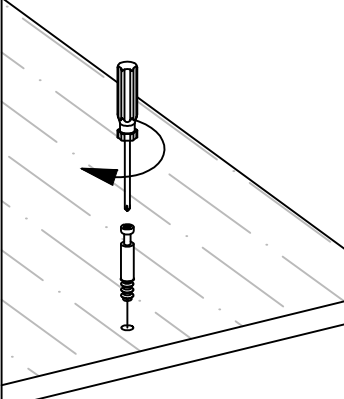
Please follow the instruction manuals and use a pad to protect the product during your assembly.



Using Camlocks

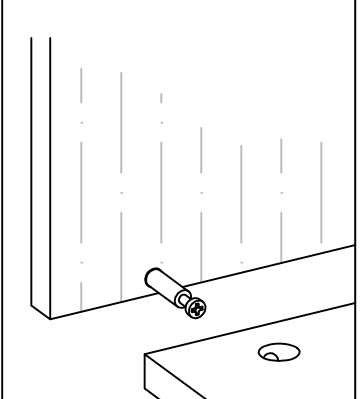
Connect the male camlock as directed in the assembly instructions using a screwdriver.

1 DO NOT OVER TIGHTEN



Push the male camlock into the entry hole.

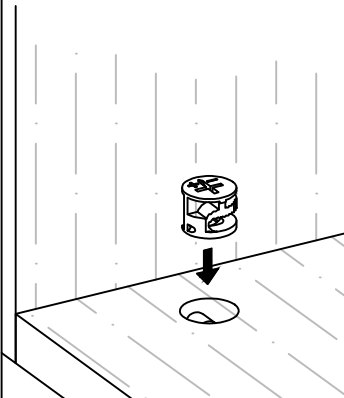
2



Insert the female camlock as shown in the instruction.

Note: ensure that the arrow on the top of the camlock points toward the entry hole for the male camlock.

3

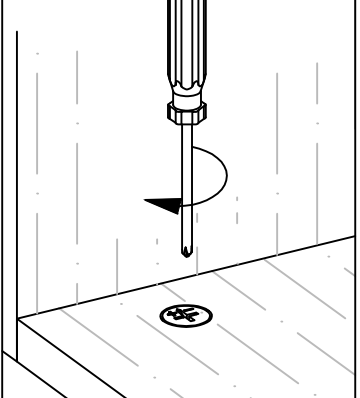


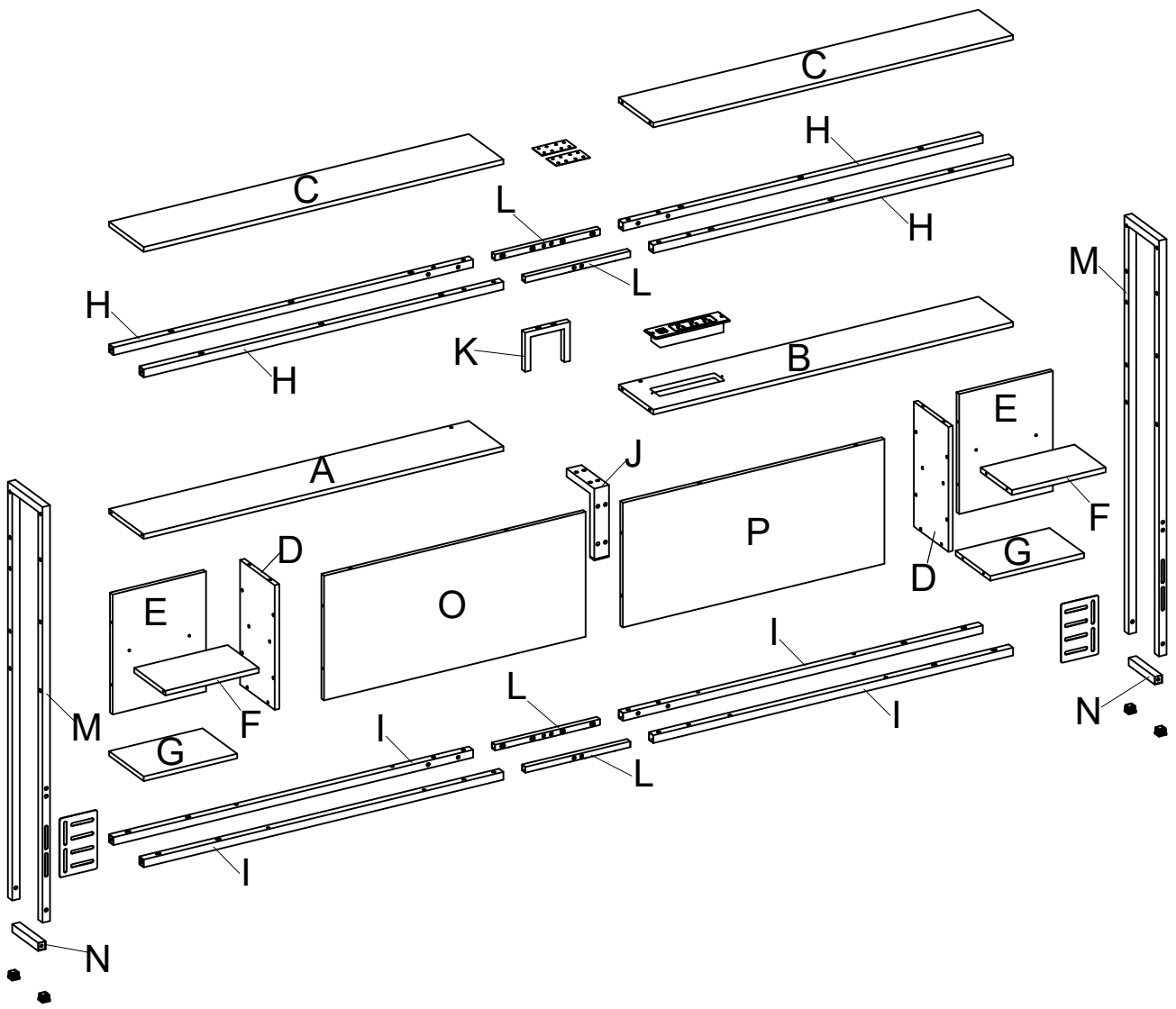
Turn the female camlock clockwise with a screwdriver.

You should feel a click when the camlock is locked in place.

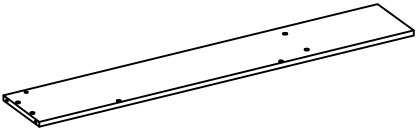
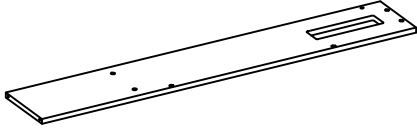
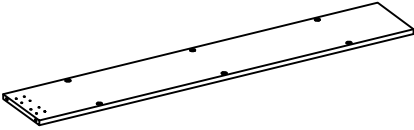
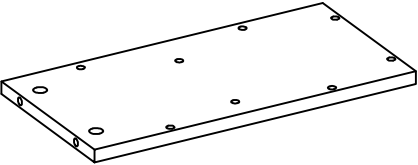
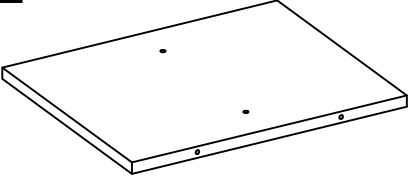
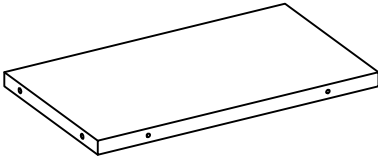
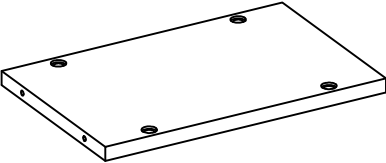
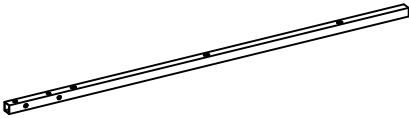
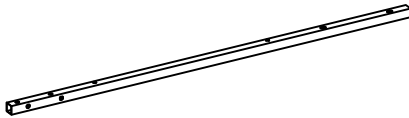
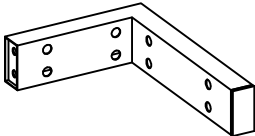
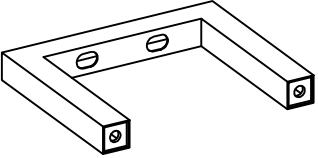
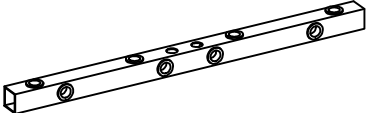
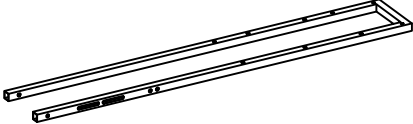
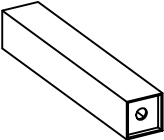
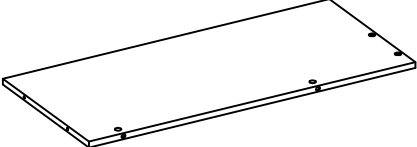
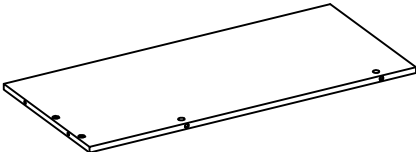
The joint is now secure.

4

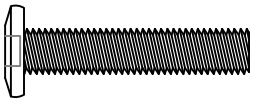

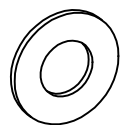
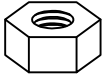
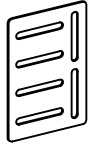



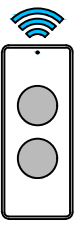
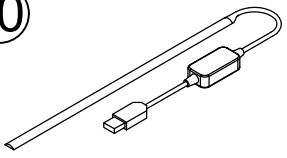


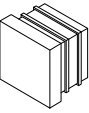
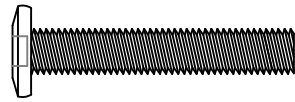
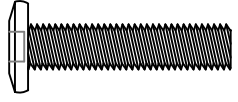
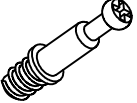

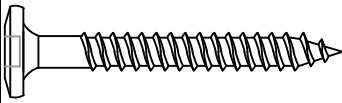

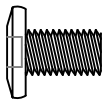
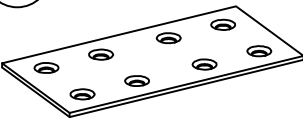
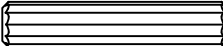


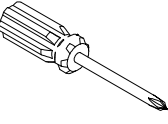




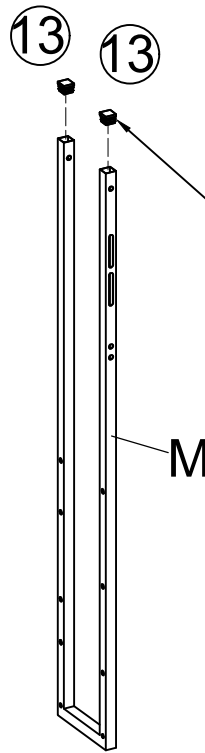
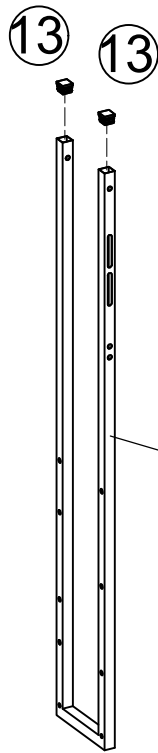
PART LIST

<p>A</p>  <p>1 pc</p>	<p>B</p>  <p>1 pc</p>	<p>C</p>  <p>2 pcs</p>
<p>D</p>  <p>2 pcs</p>	<p>E</p>  <p>2 pcs</p>	<p>F</p>  <p>2 pcs</p>
<p>G</p>  <p>2 pcs</p>	<p>H</p>  <p>4 pcs</p>	<p>I</p>  <p>4 pcs</p>
<p>J</p>  <p>1 pc</p>	<p>K</p>  <p>1 pc</p>	<p>L</p>  <p>4 pcs</p>
<p>M</p>  <p>2 pcs</p>	<p>N</p>  <p>2 pcs</p>	<p>O</p>  <p>1 pc</p>
<p>P</p>  <p>1 pc</p>		

HARDWARE LIST

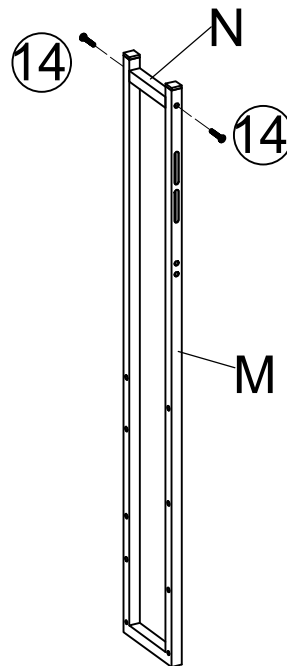
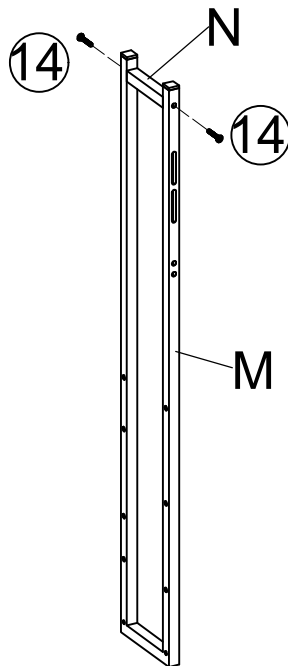
<p>1</p>  <p>M6x30 4 pcs</p>	<p>2</p>  <p>M6x55 4 pcs</p>	<p>3</p>  <p>M6x16x1.0 16 pcs</p>	
<p>4</p>  <p>8 pcs</p>	<p>5</p>  <p>2 pcs</p>	<p>6</p>  <p>10mm 1 pc</p>	<p>7</p>  <p>M3x12 35 pcs</p>
<p>8</p>  <p>1 pc</p>	<p>9</p>  <p>RF Remote Control 1 pc</p>	<p>10</p>  <p>King: 180cm Queen: 140cm 1 pc</p>	<p>11</p>  <p>3 pcs</p>
<p>12</p>  <p>11 pcs</p>	<p>13</p>  <p>20x20 4 pcs</p>	<p>14</p>  <p>M6x35 14 pcs</p>	<p>15</p>  <p>M6x27 30 pcs</p>
<p>16</p>  <p>M6x28 8 pcs</p>	<p>17</p>  <p>Ø12 8 pcs</p>	<p>18</p>  <p>M5x45 26 pcs</p>	<p>19</p>  <p>M4x30 4 pcs</p>
<p>20</p>  <p>M6x10 30 pcs</p>	<p>21</p>  <p>2 pcs</p>	<p>22</p>  <p>M6x30 6 pcs</p>	<p>23</p>  <p>M6x40 4 pcs</p>
<p>24</p>  <p>M4 1 pc</p>	<p>25</p>  <p>1 pc</p>		

STEP 1



Please use a hammer or solid tools (not included) to knock the footpads into the frame.

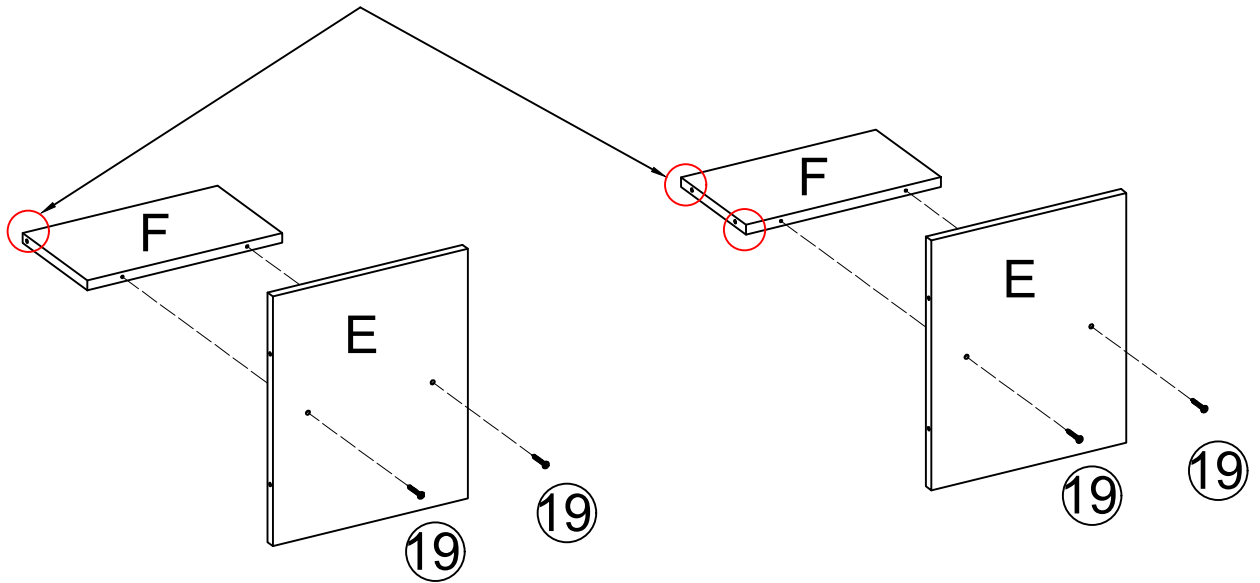
STEP 2




STEP 3

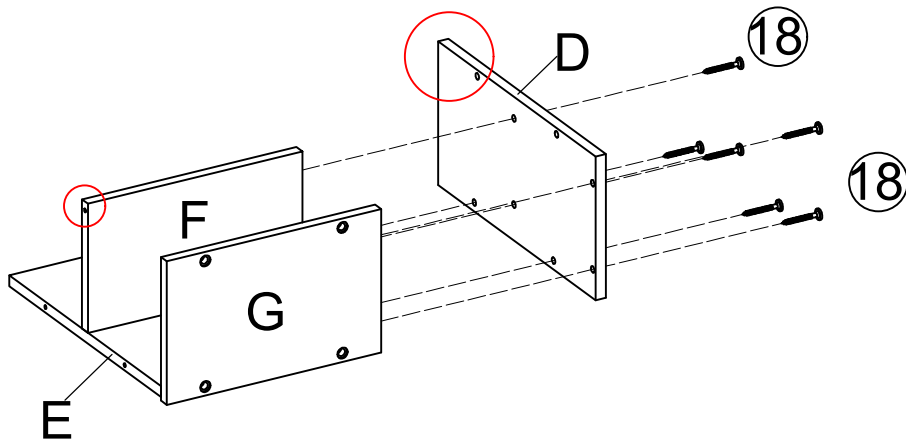
19  x4

Keep the holes of the Part F toward this direction as shown

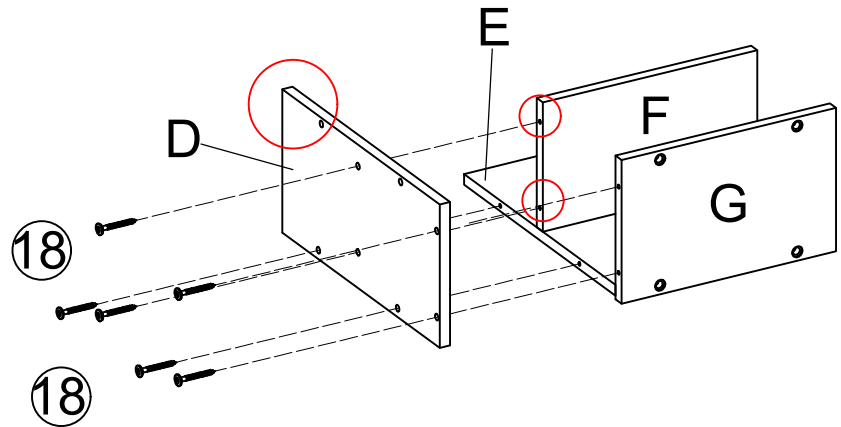


STEP 4

18  x12

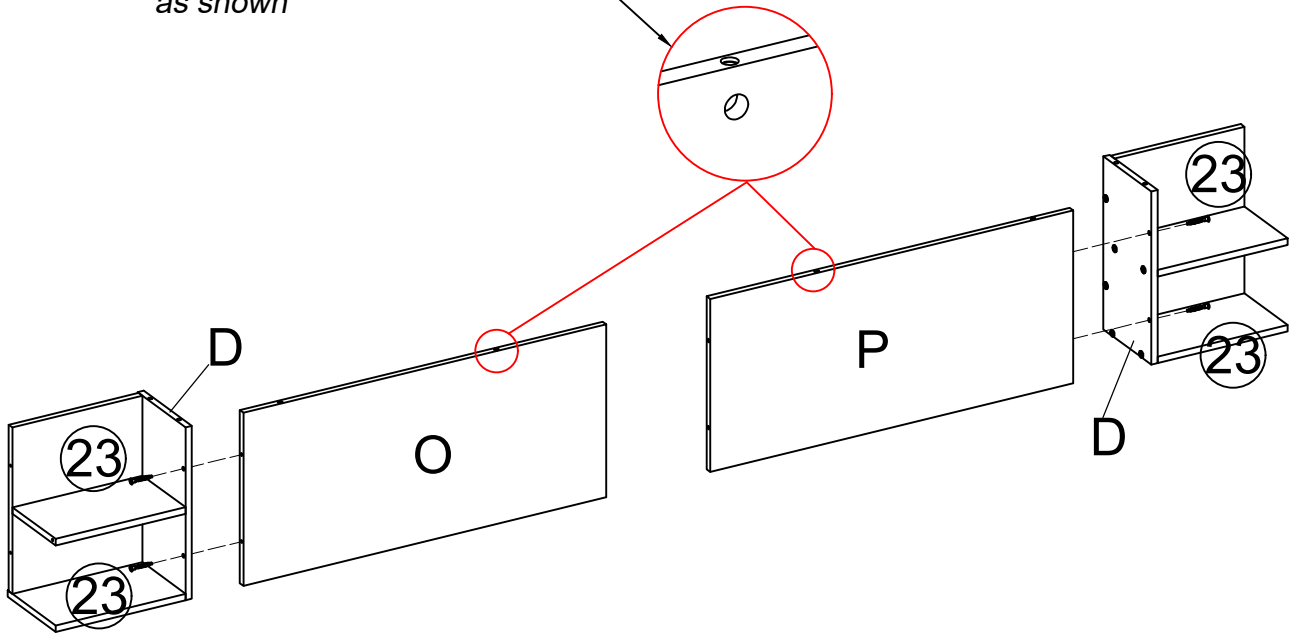
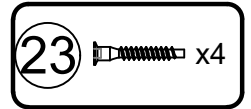


Keep the holes of the Part D and Part F toward this direction as shown

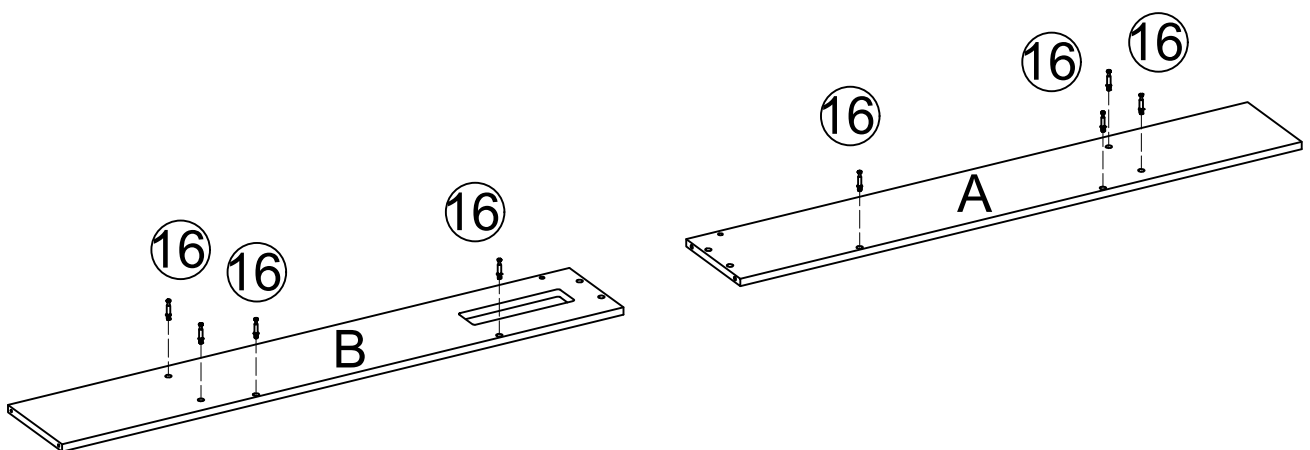
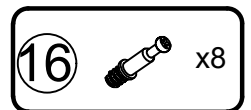


STEP 5


Keep the holes of the Part O
and Part P toward this direction
as shown

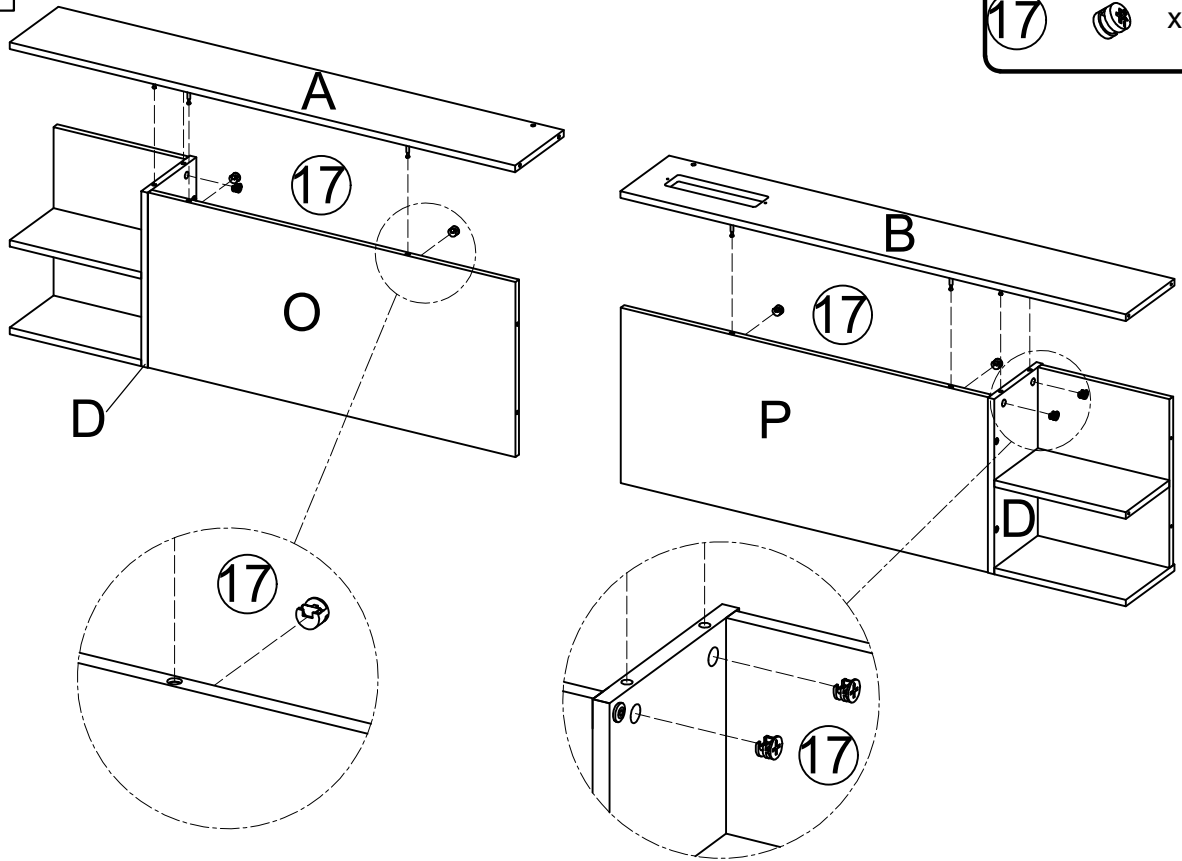


STEP 6




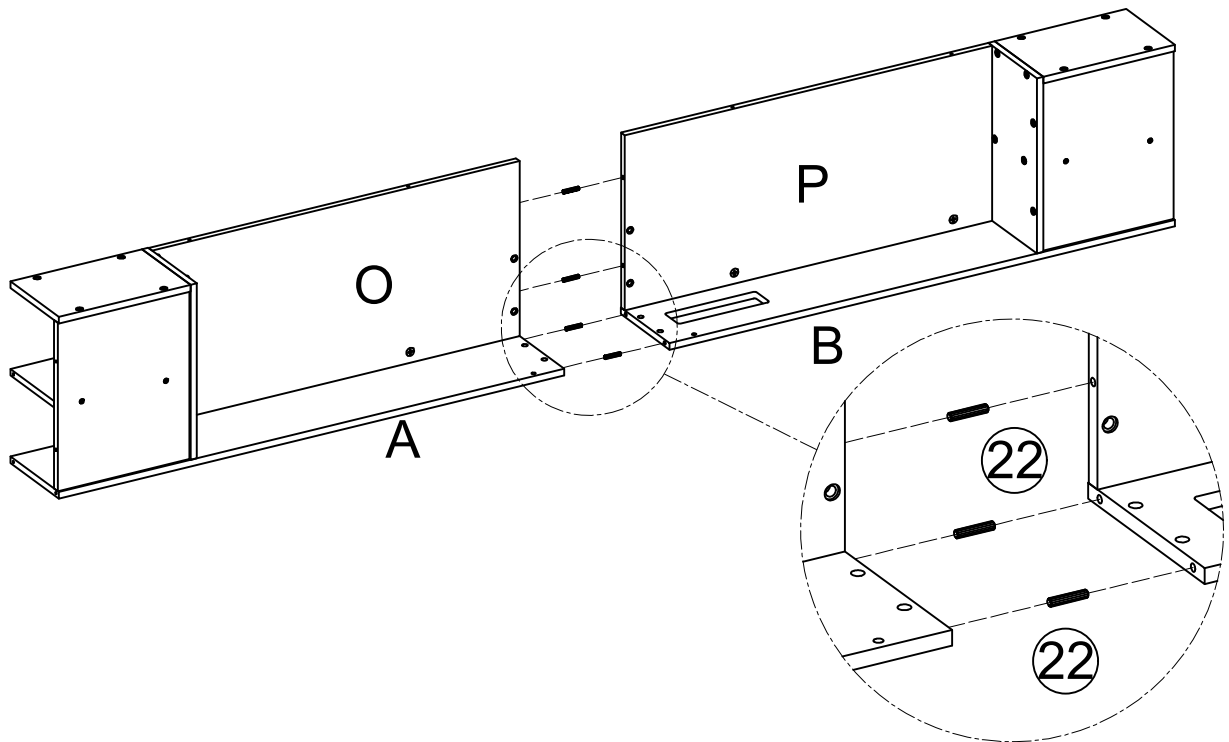
STEP 7

17  x8



STEP 8

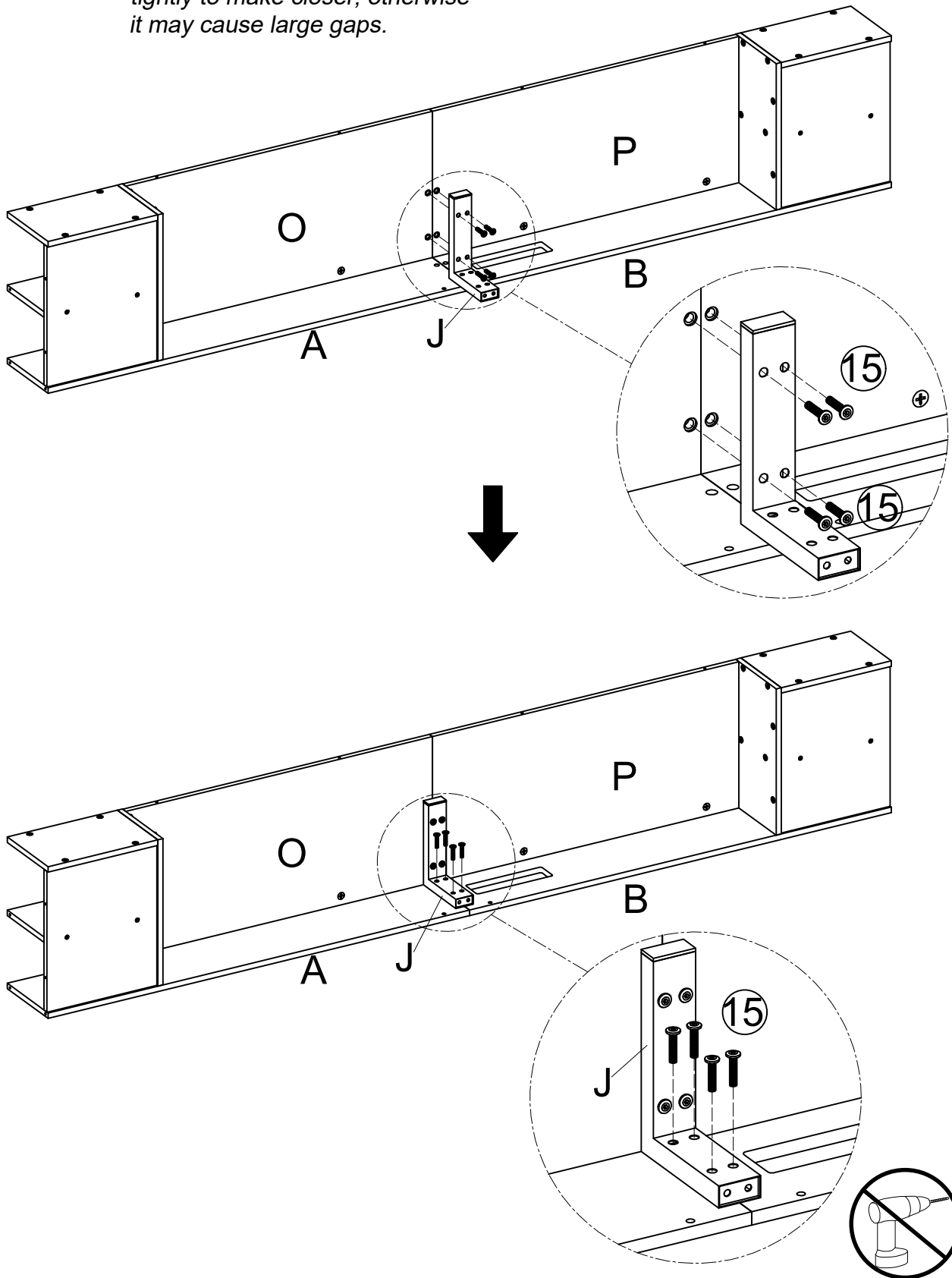
22  x4




STEP 9

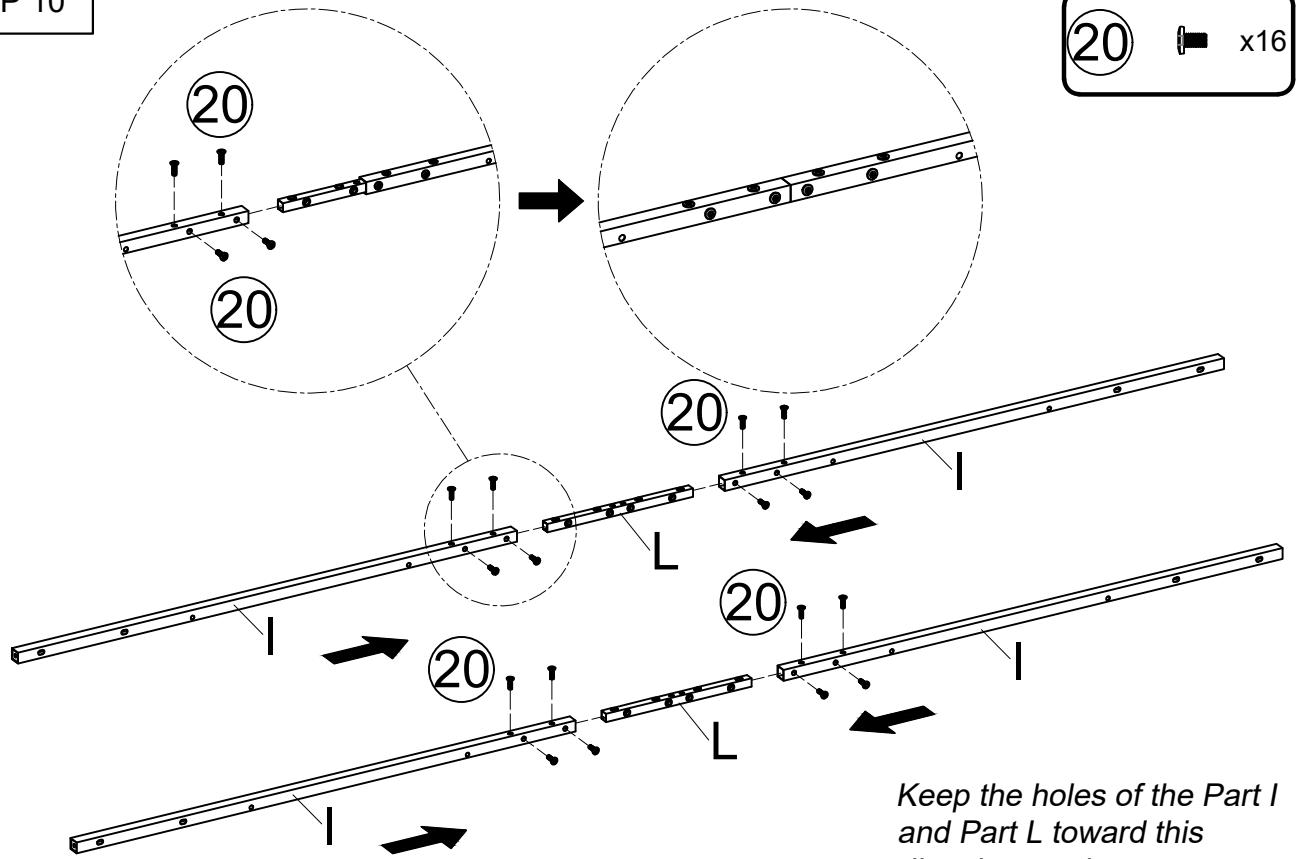
15  x8

Note: Before tightening the screws, push the wood boards tightly to make closer, otherwise it may cause large gaps.





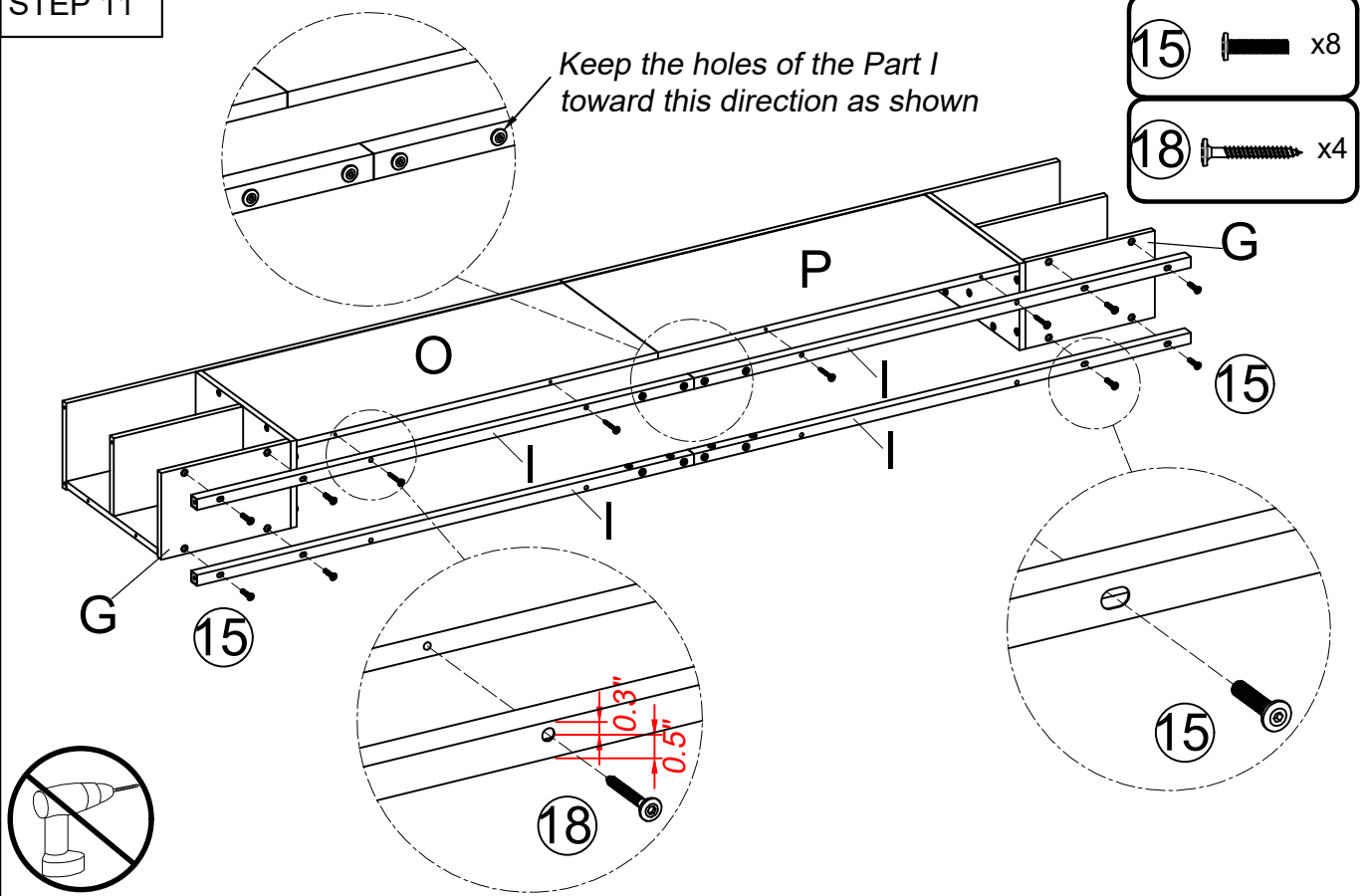
STEP 10

20  x16






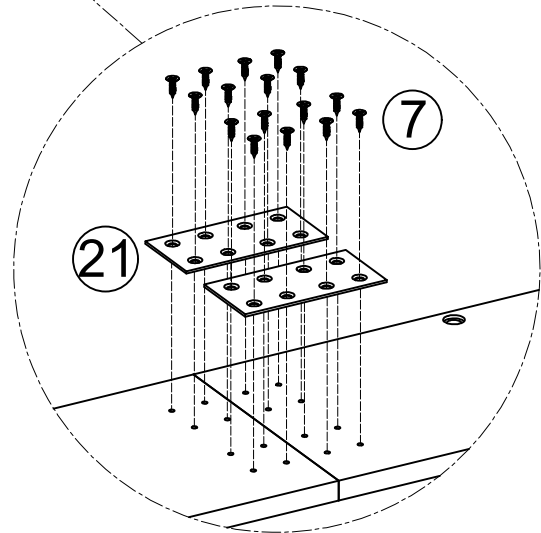
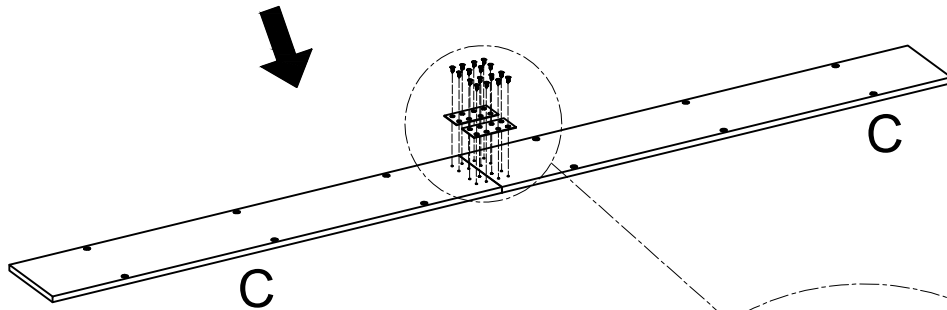
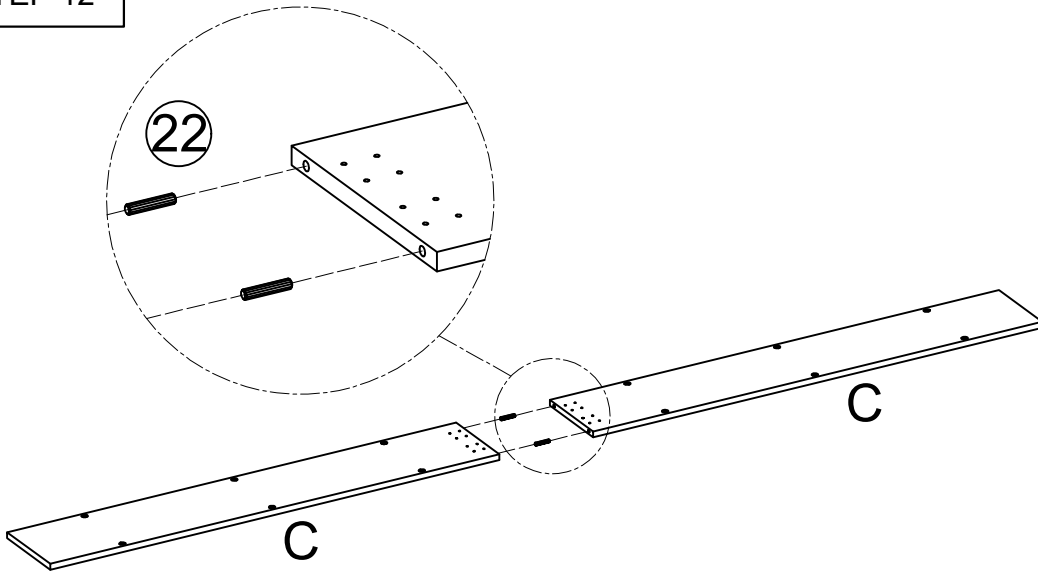
STEP 11

15  x8
18  x4



STEP 12


- ⑦  x16
- ②①  x2
- ②②  x2

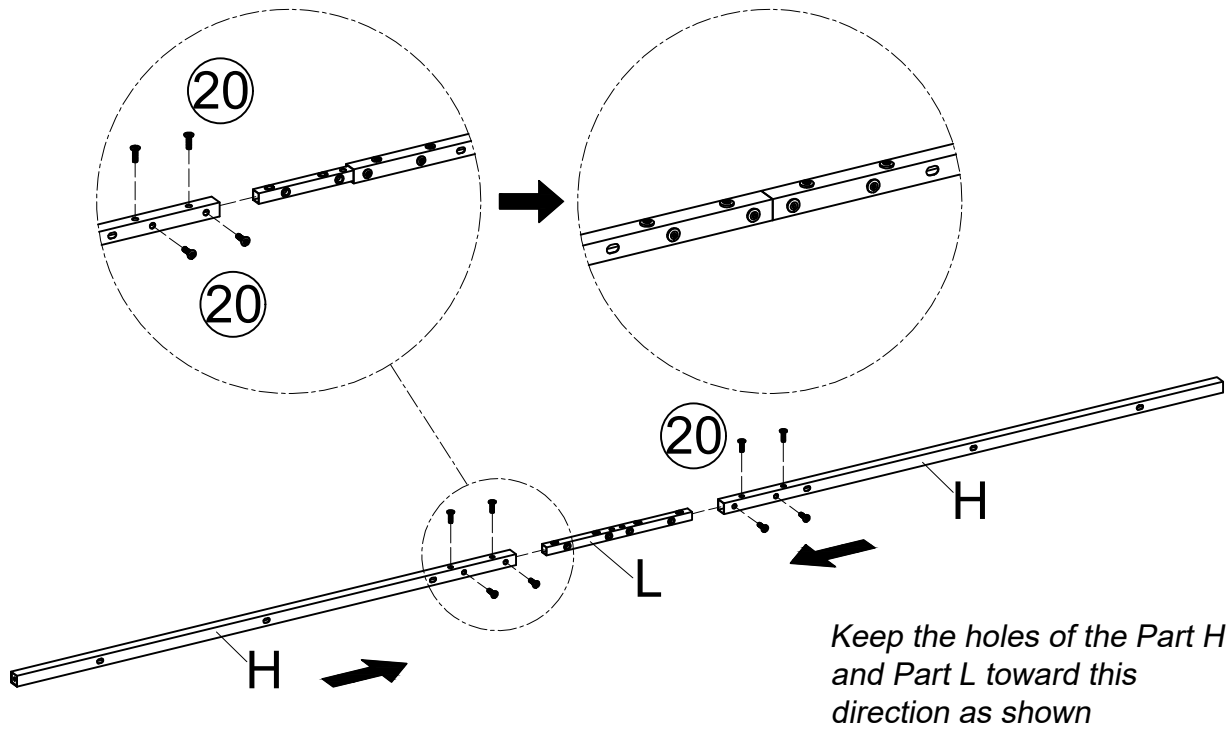


Note: Before tightening the screws, push the wood boards tightly to make closer, otherwise it may cause large gaps.



STEP 13

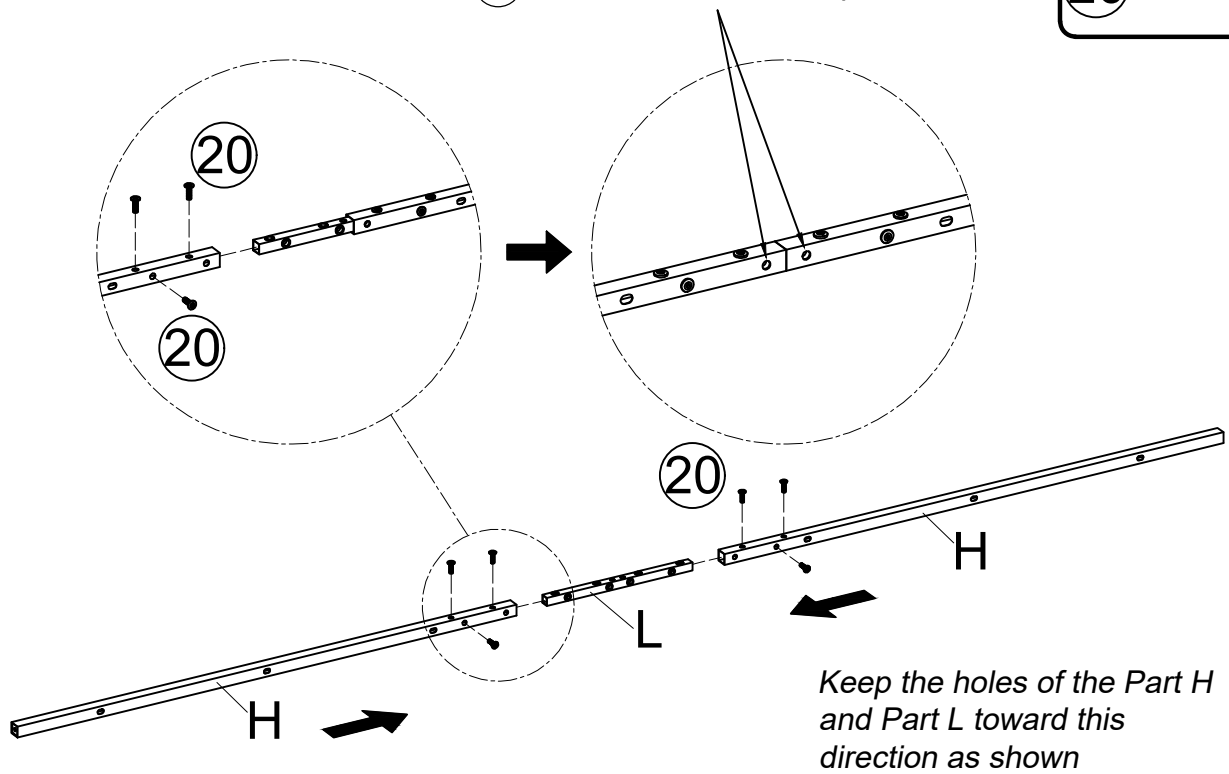
20  x8




STEP 14

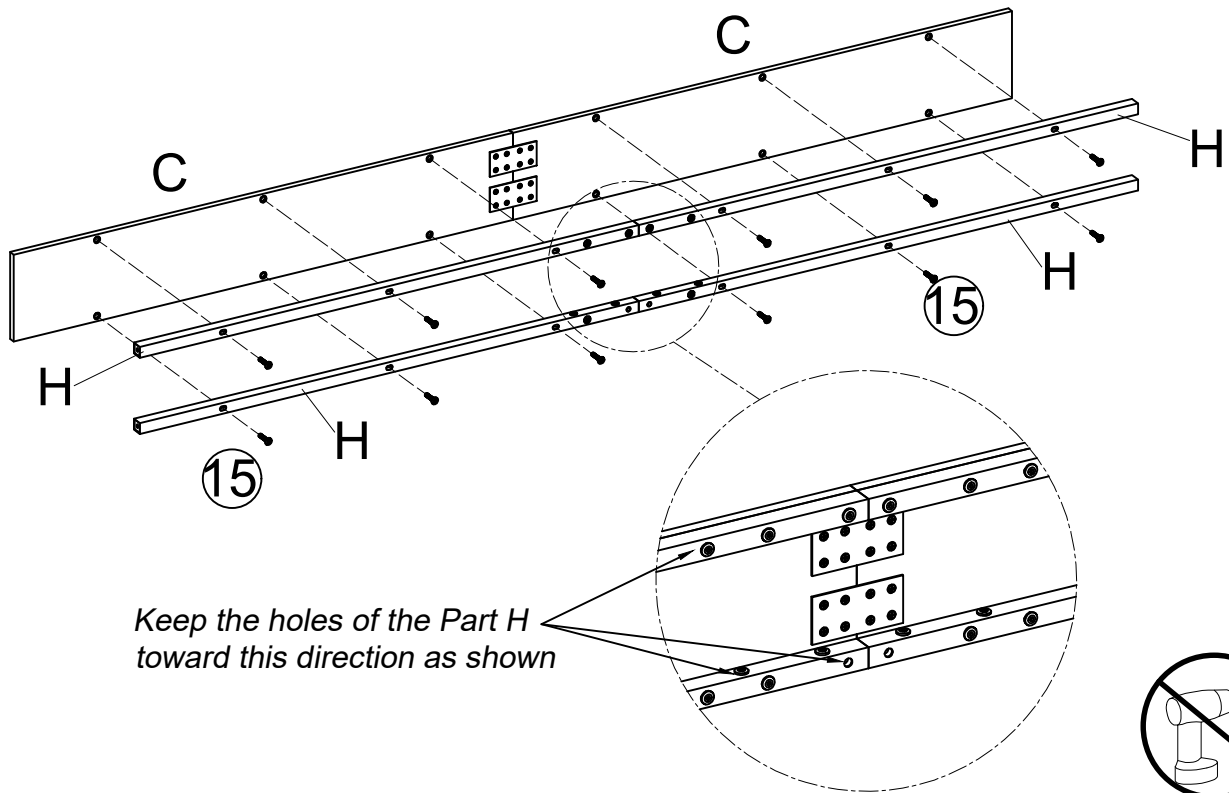
NOTE: two screws 20 used less than last step as shown.

20  x6




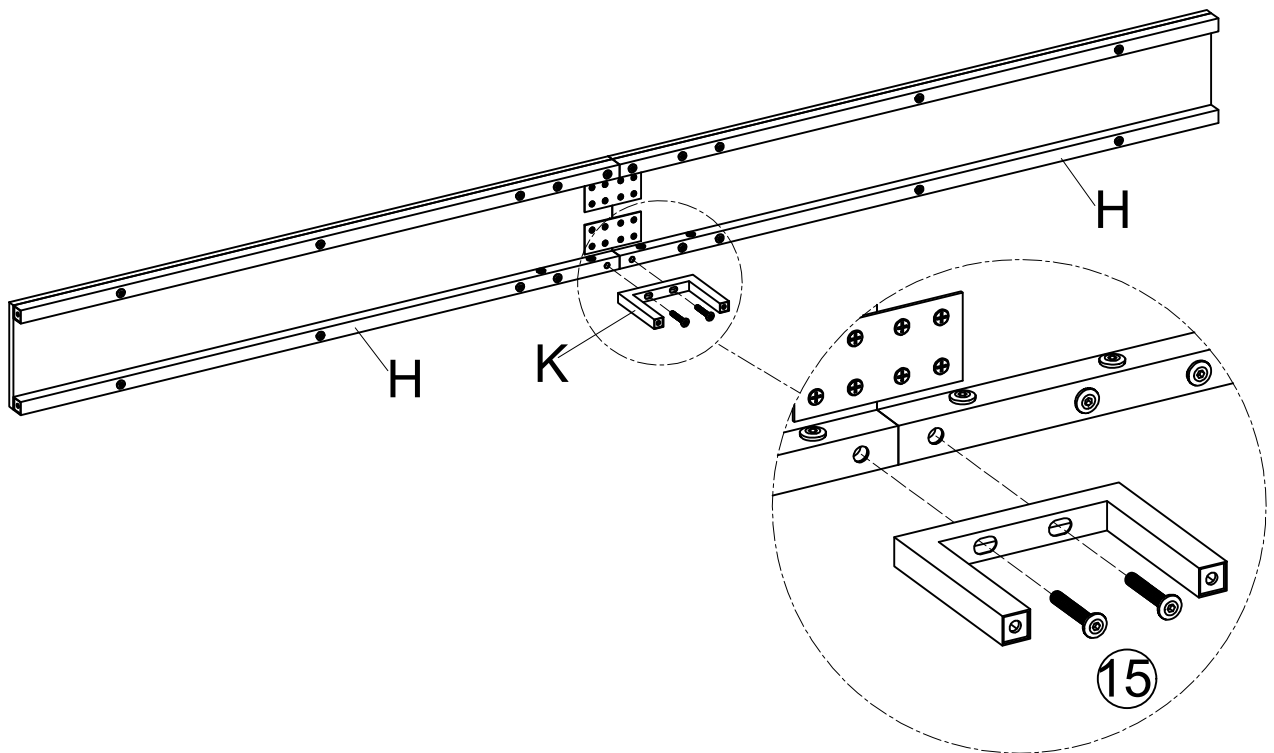
STEP 15

15  x12




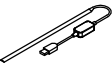


STEP 16

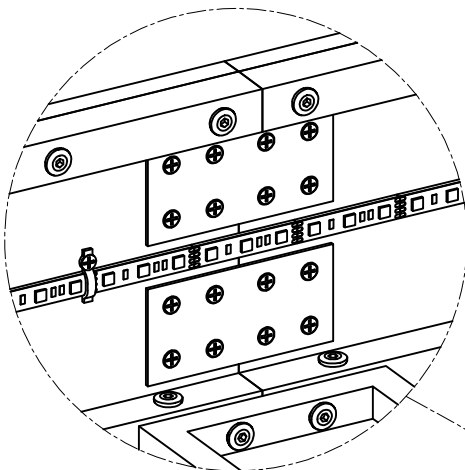
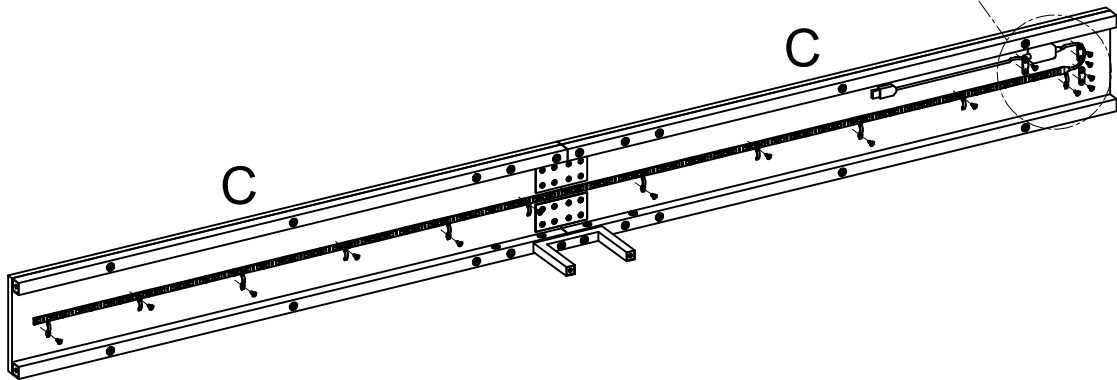
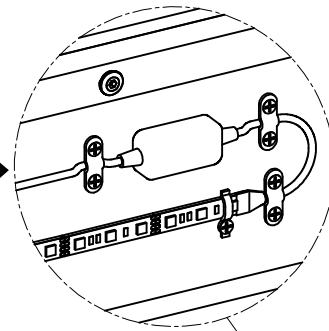
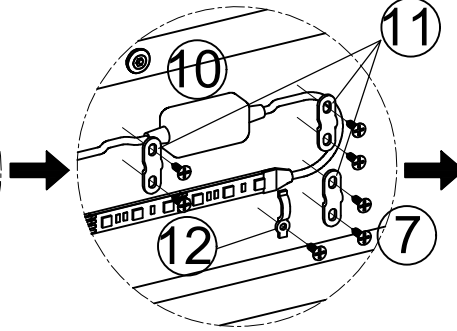
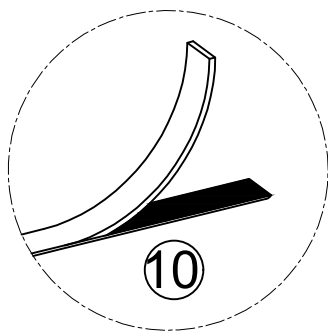
15  x2



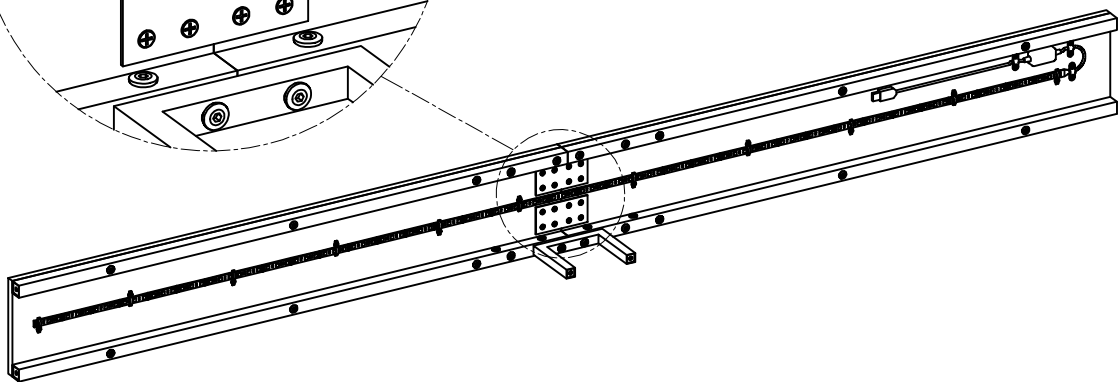
STEP 17

Tear off the tape of the LED strip, stick the LED strip to the bottom of top panels(C). Fix the LED strip with plastic clips. Note: Do not cover the lamp beads.

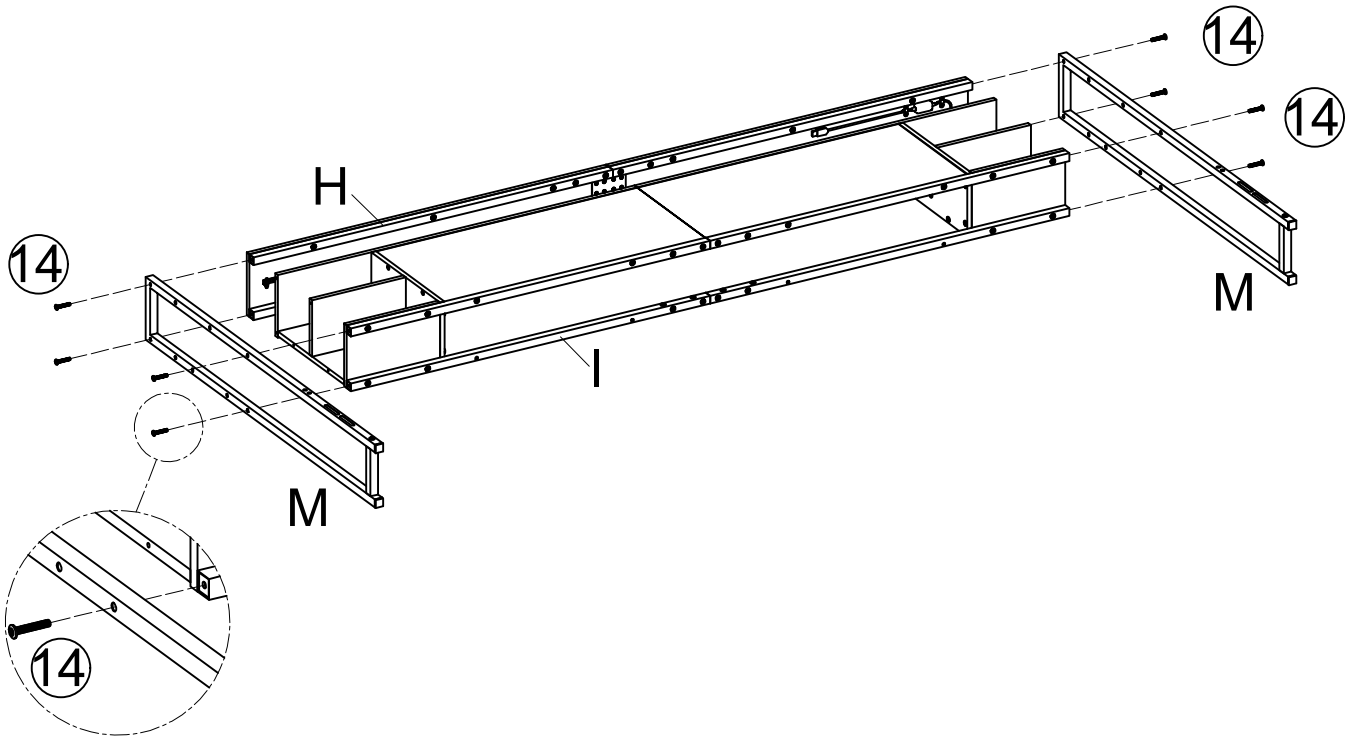
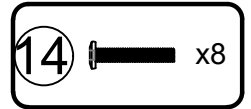
- 7  x17
- 10  x1
- 11  x3
- 12  x11



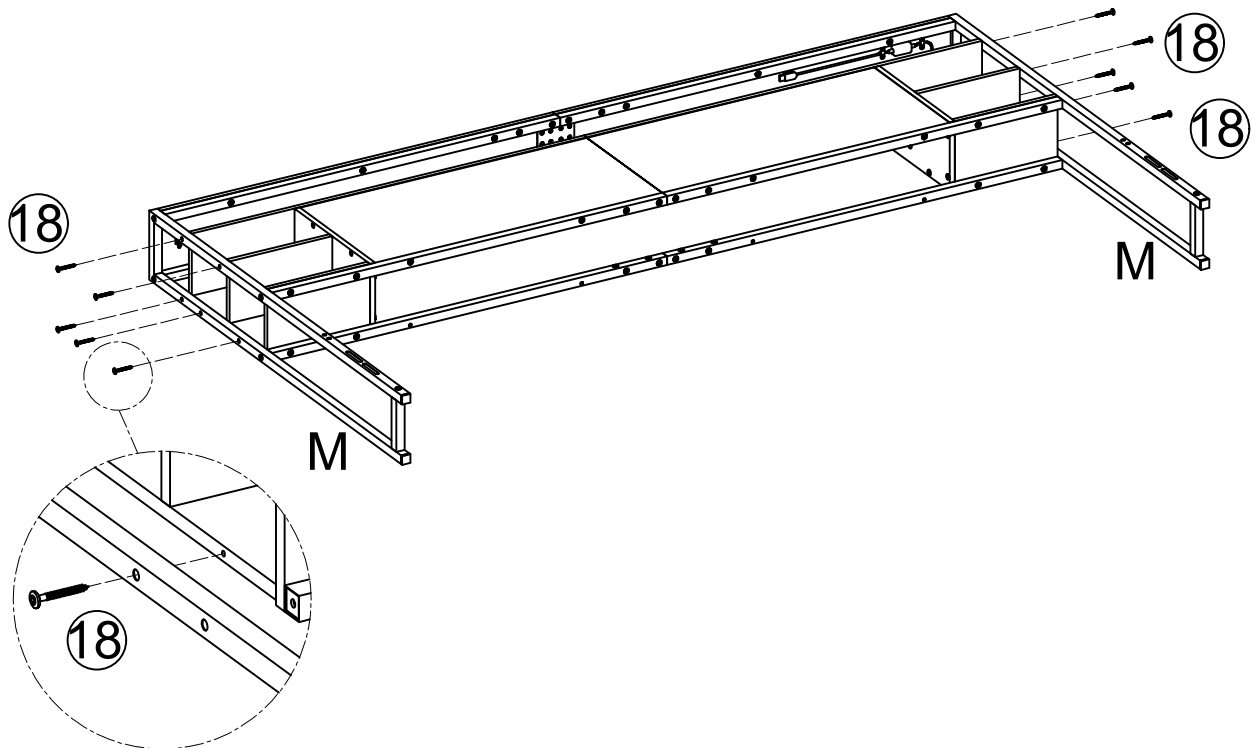
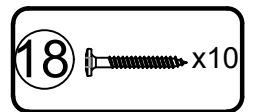
NOTE: please make sure the LED strip is in proper position first before tear off the tape.



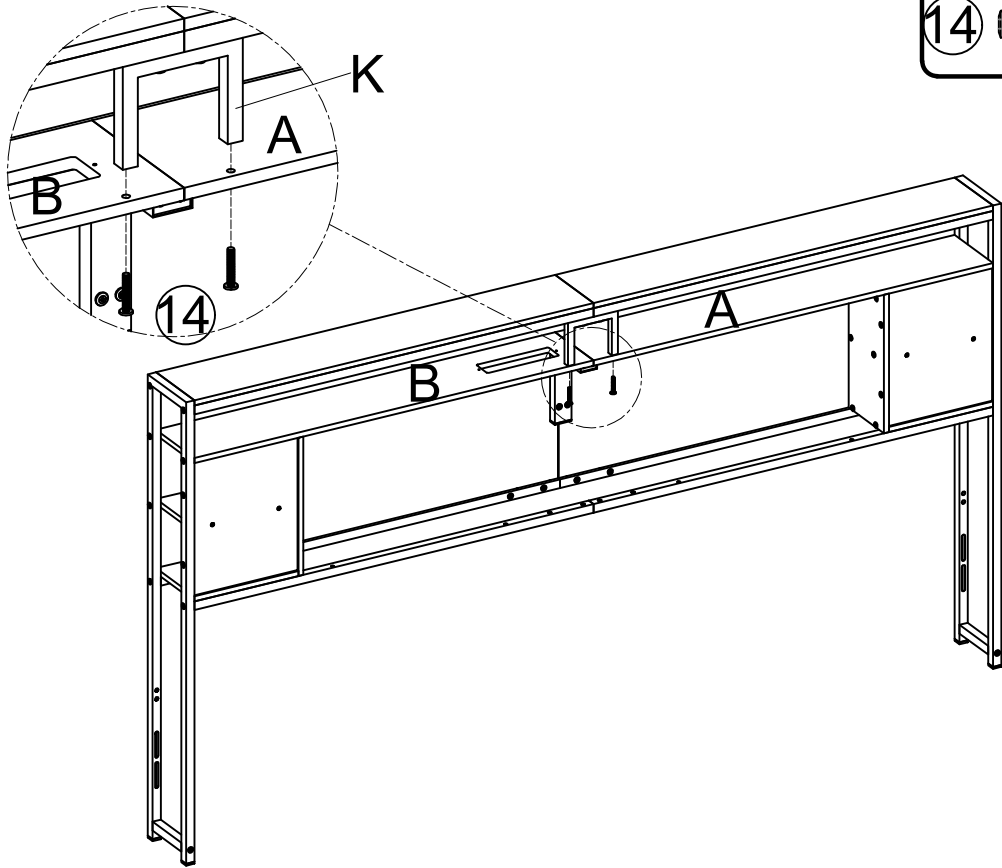
STEP 18



STEP 19

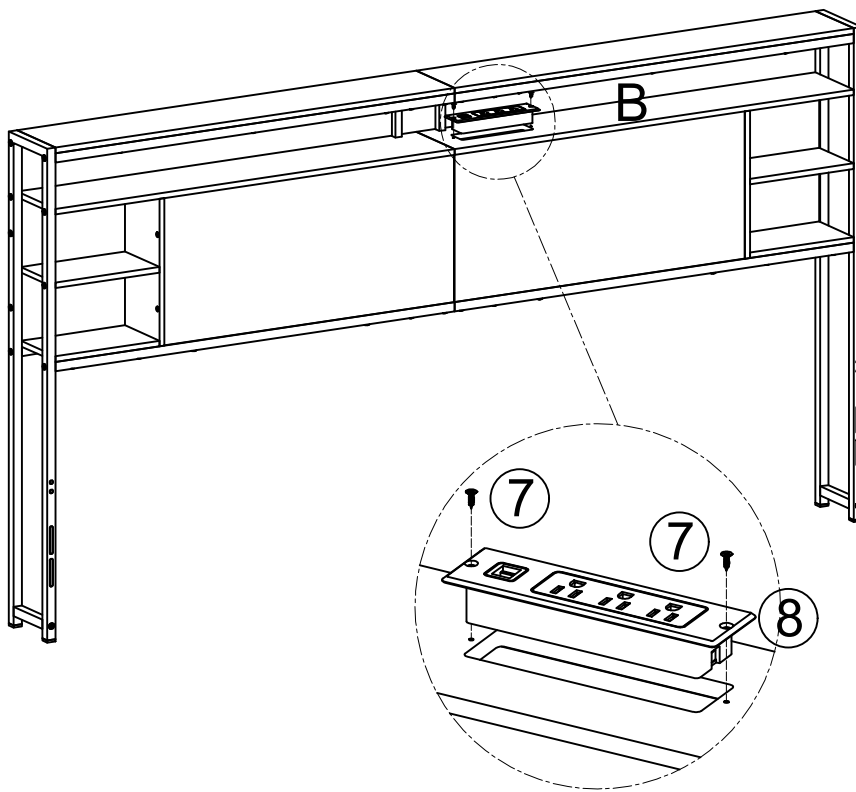


STEP 20



14 x2

STEP 21



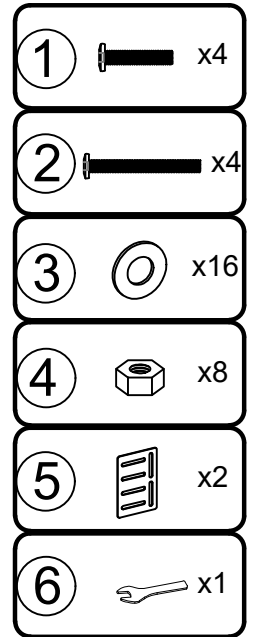
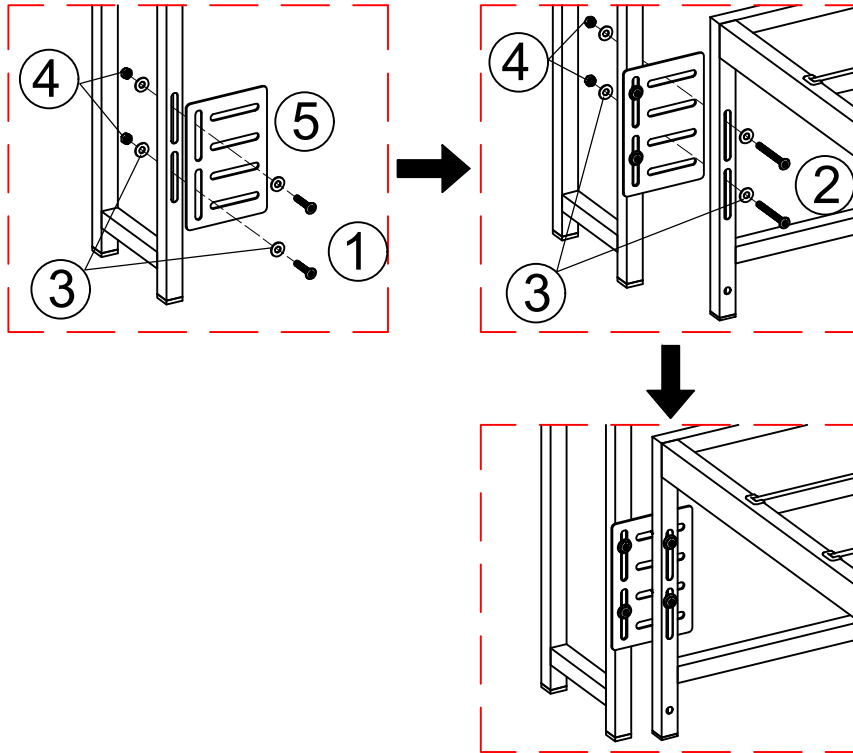
7 x2

8 x1



Bed Frame Adapter

When the installation distance between the headboard bracket and the bed frame (not included) is too large or too small, an adjustable board can be used to link.



When the installation distance between the headboard bracket and the bed frame (not included) is just fine, an adjustable board can also be used to link.

