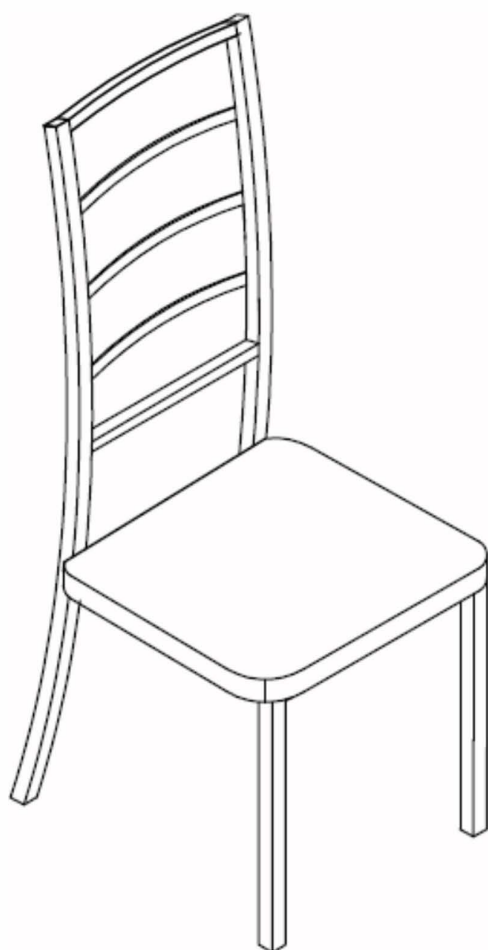


ASSEMBLY INSTRUCTIONS



TOOLS REQUIRED



Allen Wrench

(Included)



**Philips
Screwdriver**

(Not Included)



**2 - Persons
Recommended**

ASSEMBLY RATING



EASY → DIFFICULT

The Assembly Rating is a 5-point system showing the level of effort needed to assemble a specific product.

Thank you for your purchase!

We hope you enjoy this new addition to your home for many years to come.

Our commitment to providing quality products does not simply end when you purchase our product. We fully stand behind our products from start to finish. Our customer service department is available and can help with assembly questions as well as, if necessary, replacing damaged or missing parts. To help expedite our service, please have these assembly instructions readily available, along with your order receipt.



CHECK BEFORE STARTING

Are you missing anything?

Double-check all parts, hardware and accessories listed on Page 6 are accounted for.

Should we send any replacements?

Are there any irregularities or flaws in the parts? We can send replacements!

Check out our Quick Tips!

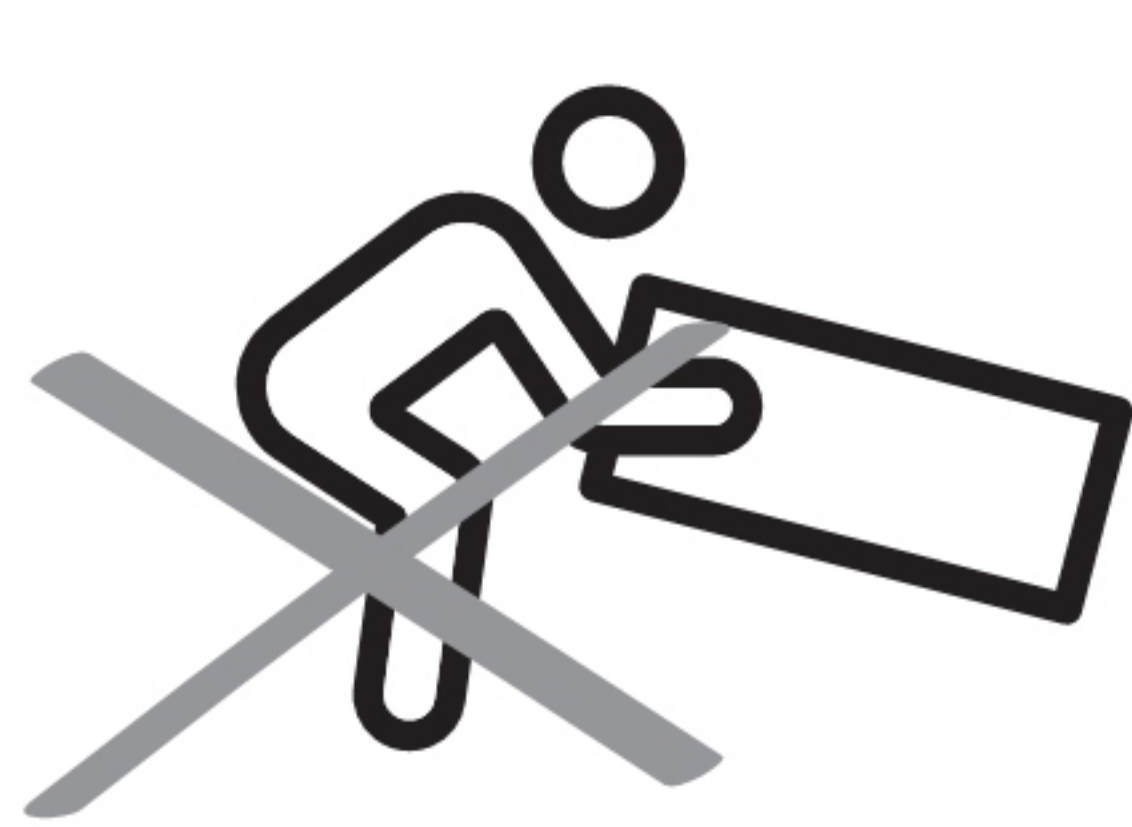
We recommend reviewing the pre-assembly handouts. Even experts need a refresher now and then!

Prep Time!

Please review the assembly instructions and all diagrams prior to assembling. Arrange parts as recommended on Page 7 and group identical hardware together to make assembling easier.

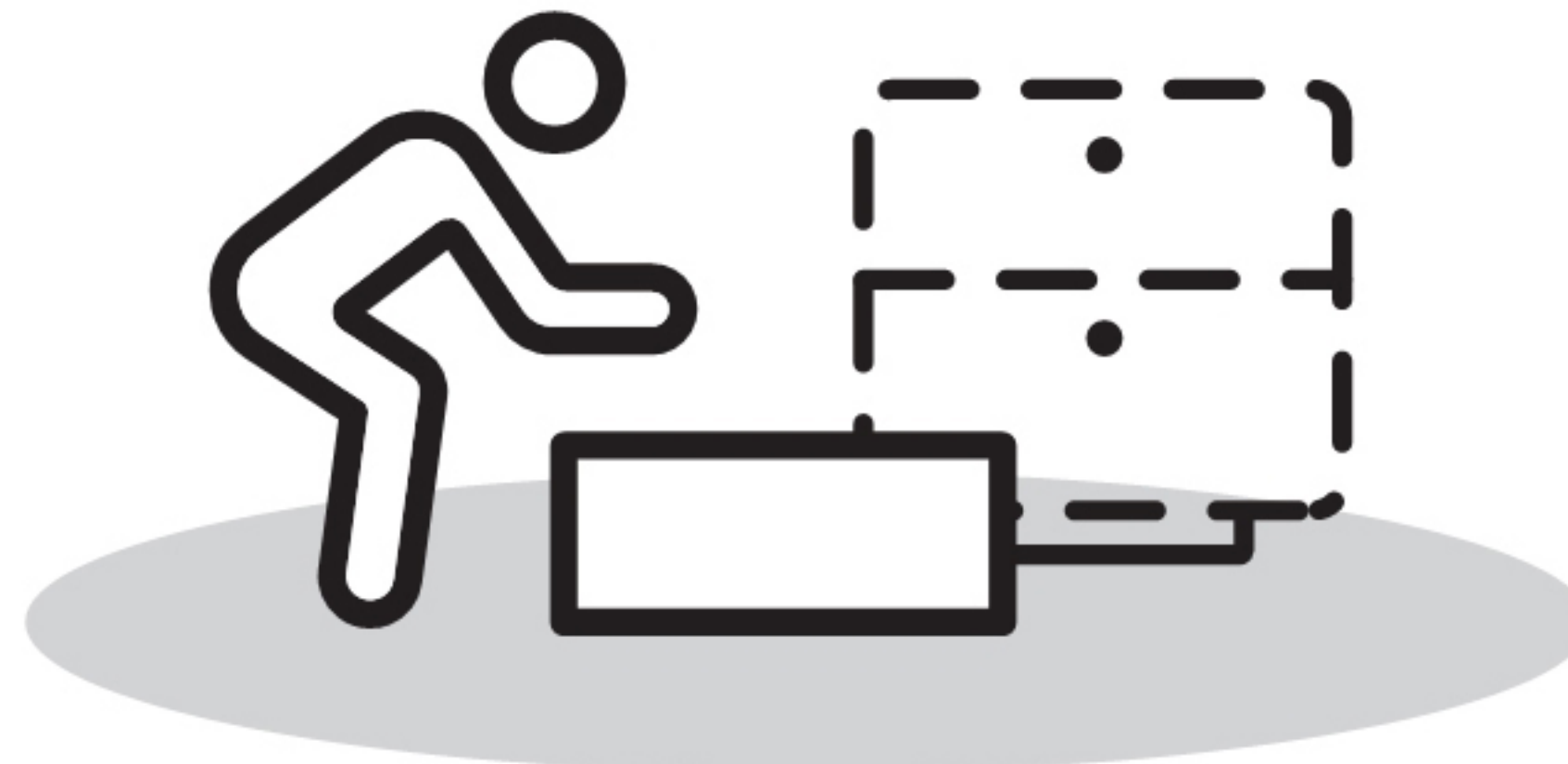
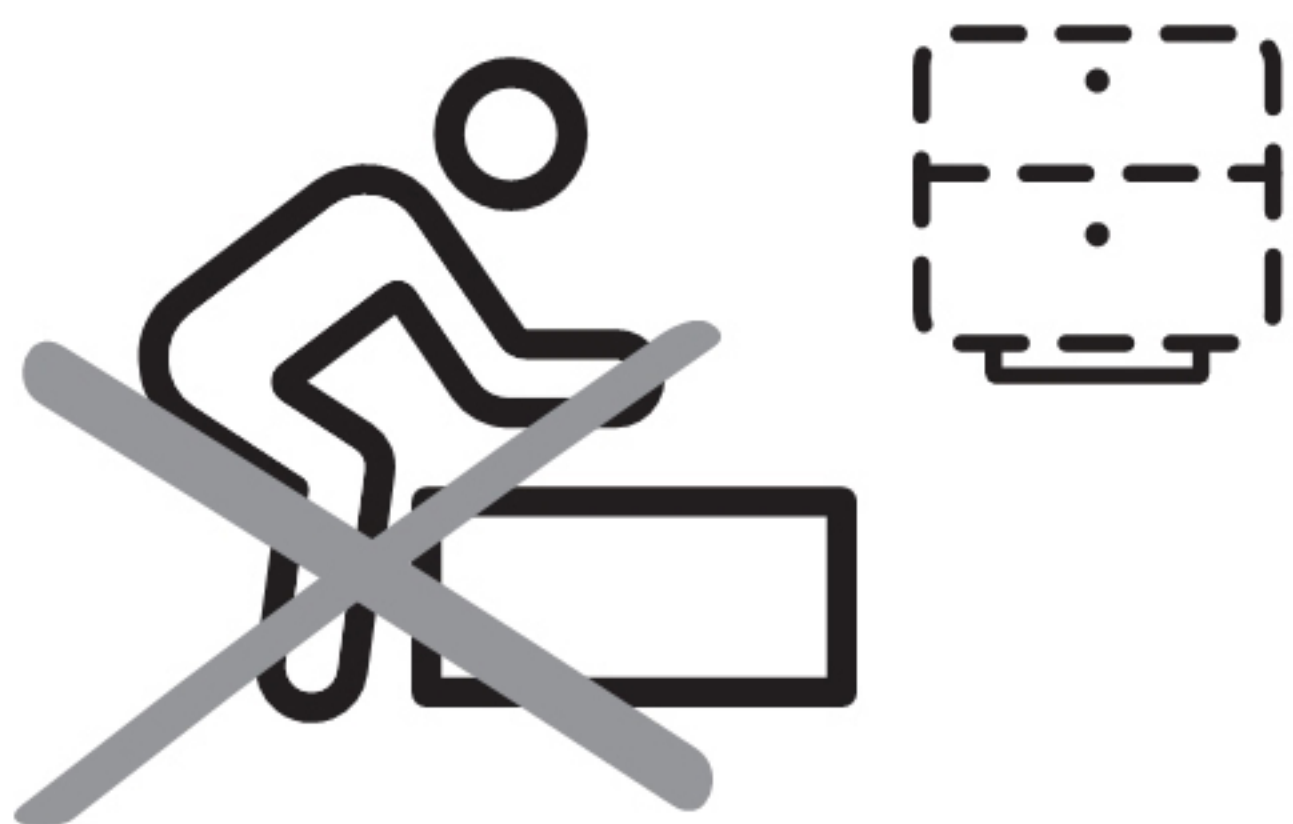
PRE ASSEMBLY INTRODUCTION

We understand building ready-to-assemble furniture can be a challenging experience for some. To help avoid confusion, we have provided some helpful tips that may speed up the process.



Teamwork

ALWAYS have at least two people to help with transporting and assembling the product to avoid potential injury and/or damage.



Suitable Location

Assembling near the area of the intended location is highly recommended.



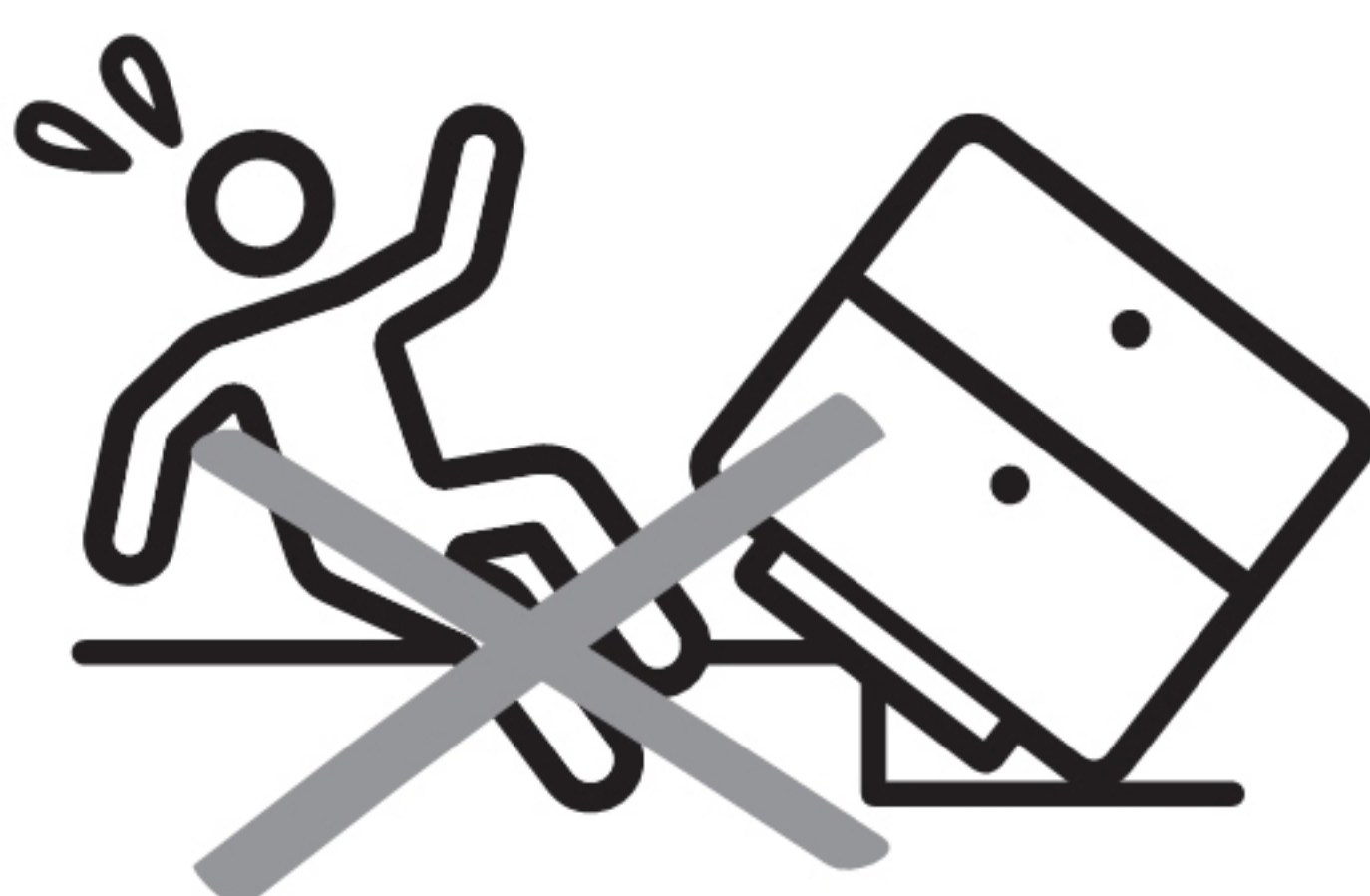
Sufficient Space

Make sure you have enough space to move around during the assembly.



Avoid Scratches

Use cardboard, blankets or a carpeted area while assembling furniture to prevent scratches.



Flat Surface

Make sure the furniture rests on a flat and level surface with each leg evenly touching the floor.

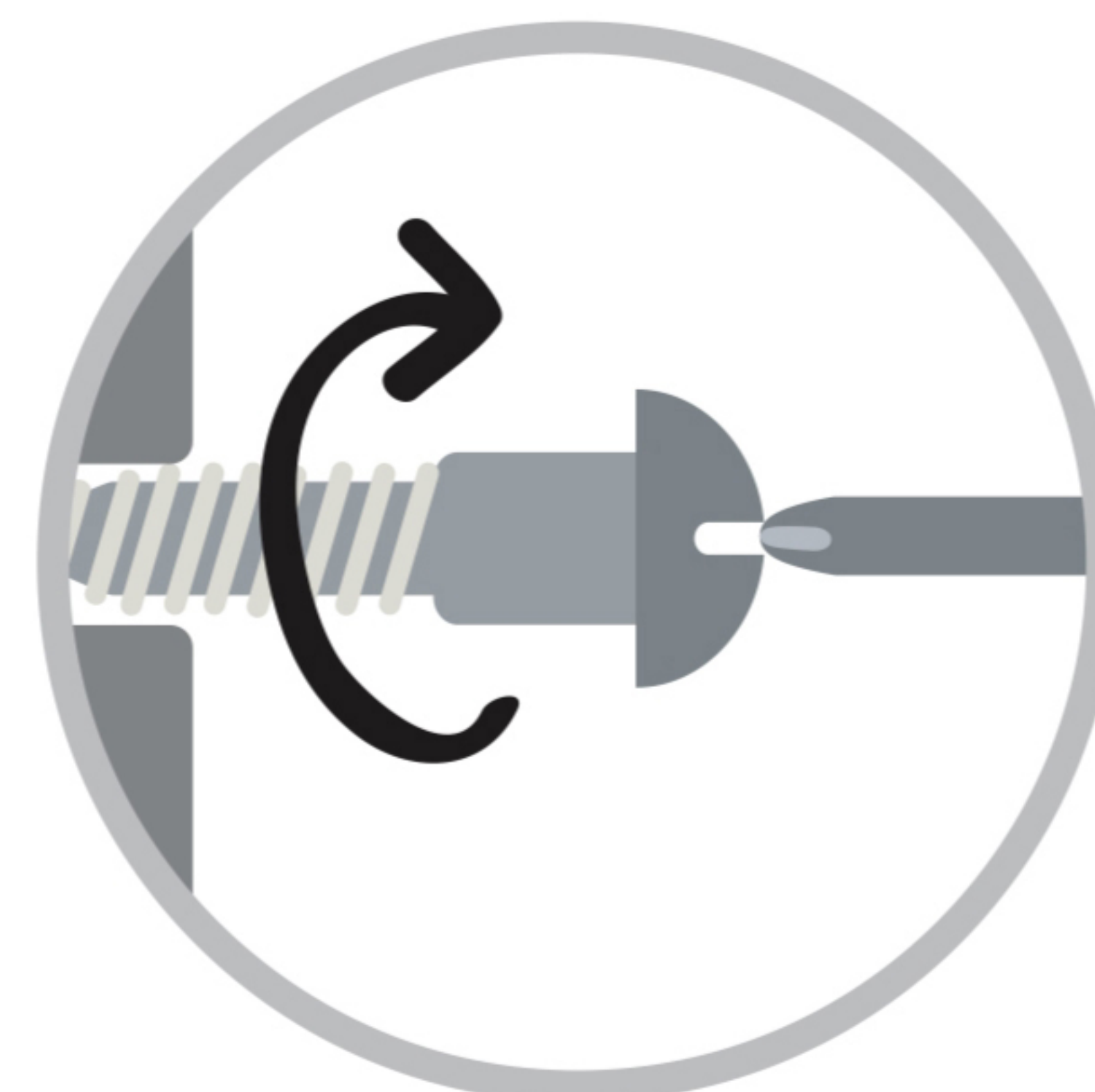
ASSEMBLY AND CARE ADVICE



FAILURE TO FOLLOW THE GUIDELINES BELOW MAY RESULT IN INJURY AND/OR PROPERTY DAMAGE.



Position each part correctly and insert screws or bolts into their respective holes.



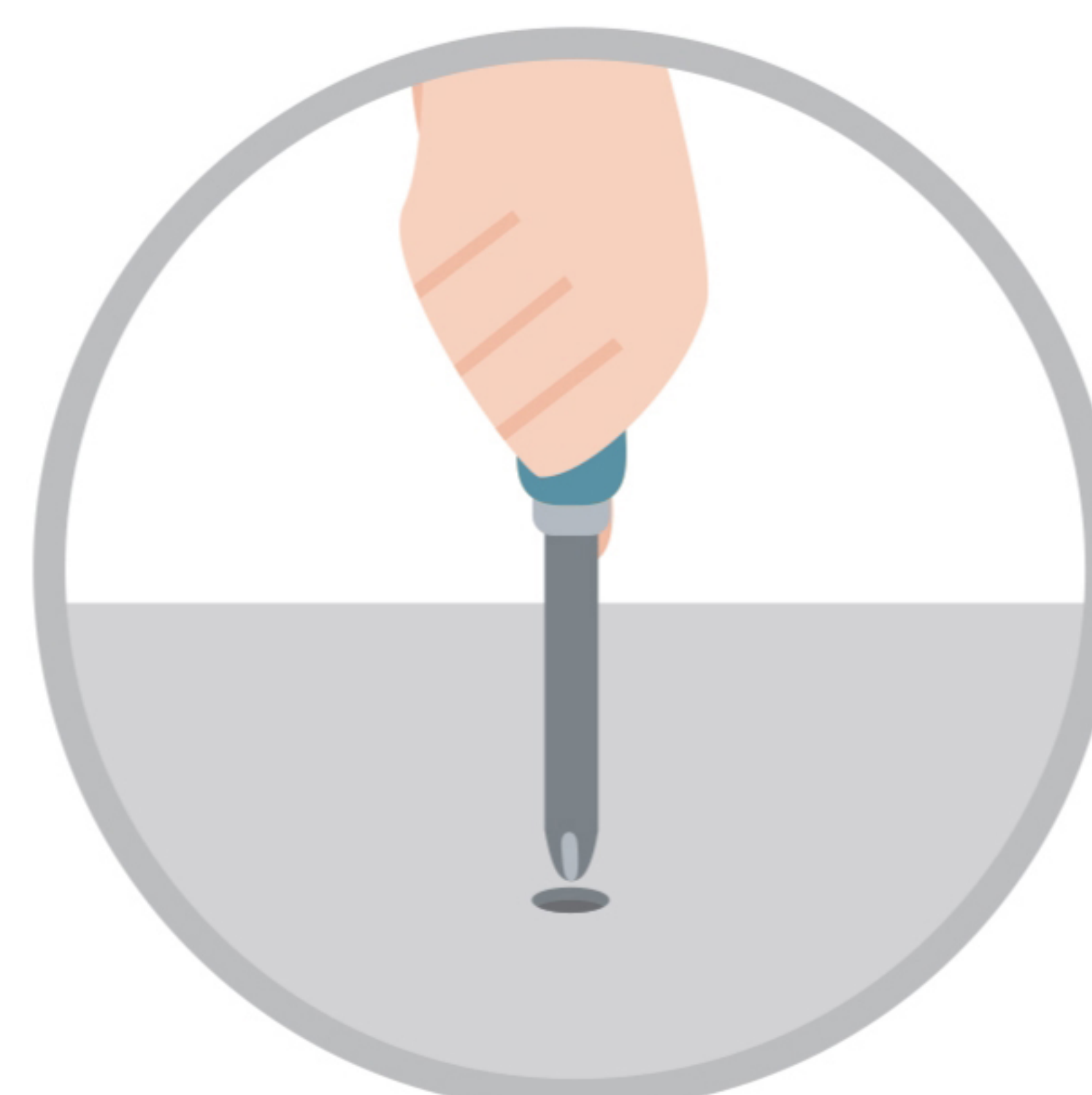
Turn clockwise to tighten and only tighten when step is completed or when instructed to do so.



Use the appropriate hand tools or power tools for assembly. Select steps, such as tightening screws and/or bolts, may require hand tools to avoid causing damage during assembly.



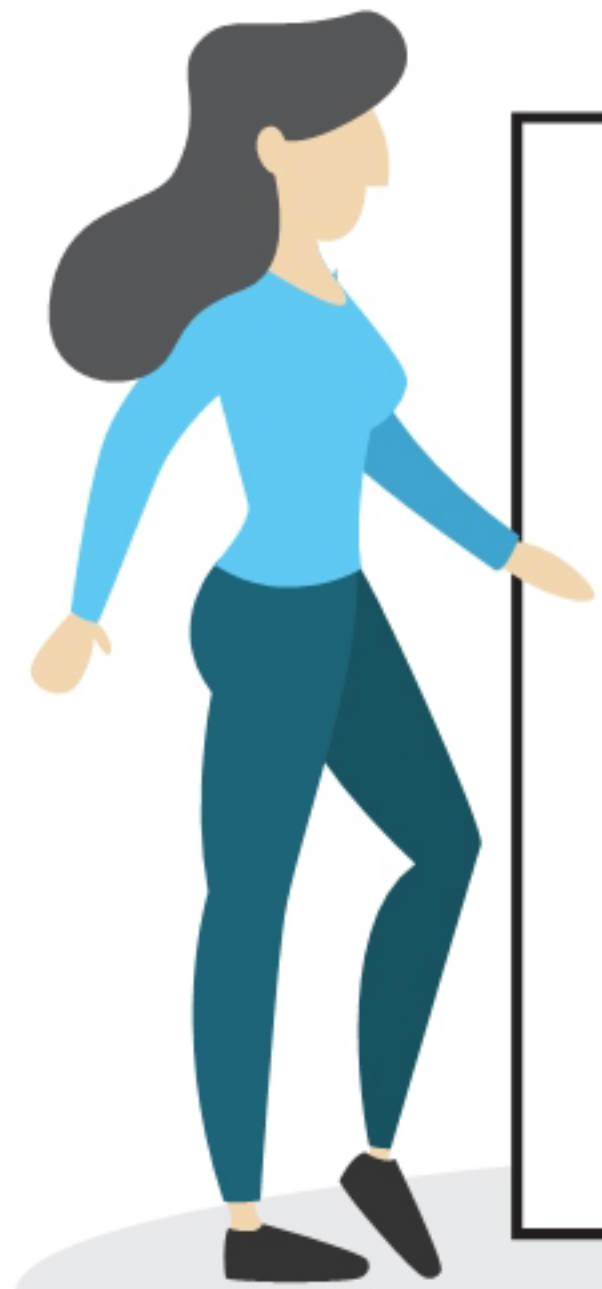
Save the instructions and store any supplied tools for later maintenance.



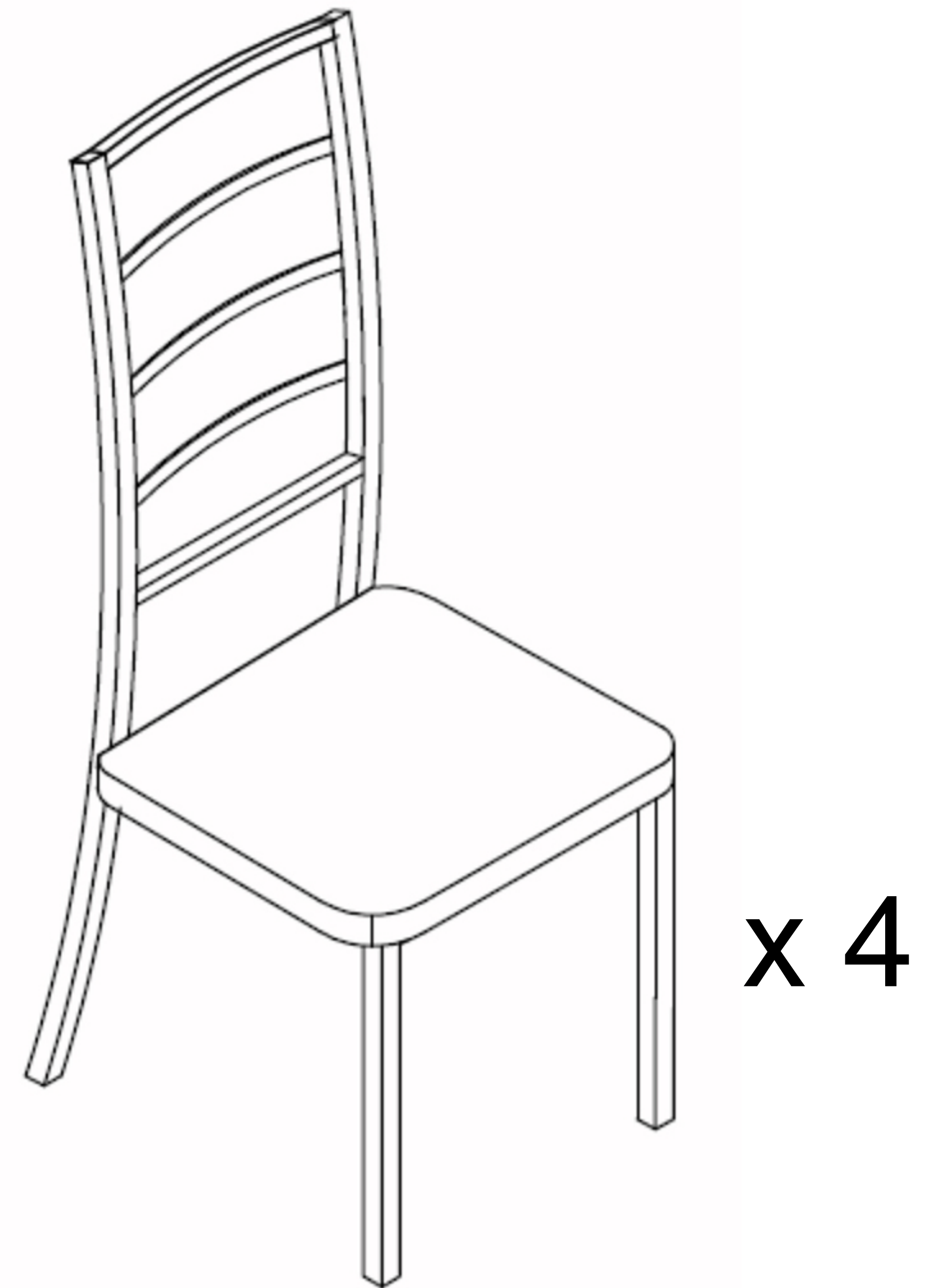
After two weeks, check and tighten any loose hardware and repeat again every six months thereafter.

IT IS THE USER'S RESPONSIBILITY TO MAINTAIN THE FURNITURE. THE HARDWARE MAY LOOSEN OVER TIME AND MAY CAUSE THE FURNITURE TO BE WOBBLY AND UNABLE TO SUPPORT ITS INTENDED WEIGHT CAPACITY. THIS MAY LEAD TO COLLAPSE AND MAY CAUSE SERIOUS INJURY.

CHAIR



- Please keep instructions for future reference.
- Check the quantity and irregularity of parts and hardware before you start.



PARTS

#1 4 pcs



Left Front Leg

#2 4 pcs



Right Front Leg

#3 4 pcs



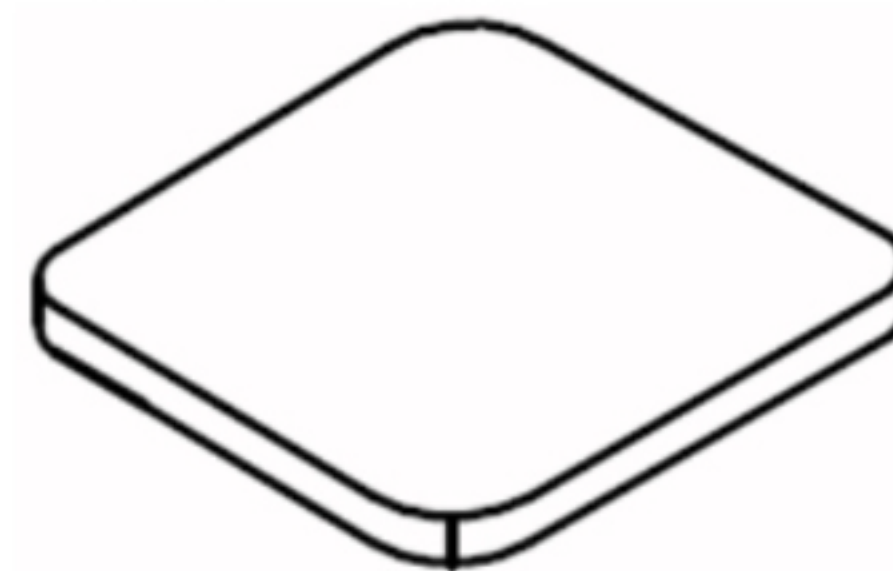
Backrest w/Legs

#4 4 pcs



Front Leg Support

#5 4 pcs



Seat

HARDWARE

#A 24 pcs



Bolt 1/4"x3/4"

#B 16 pcs



Screw

#C 1 pc



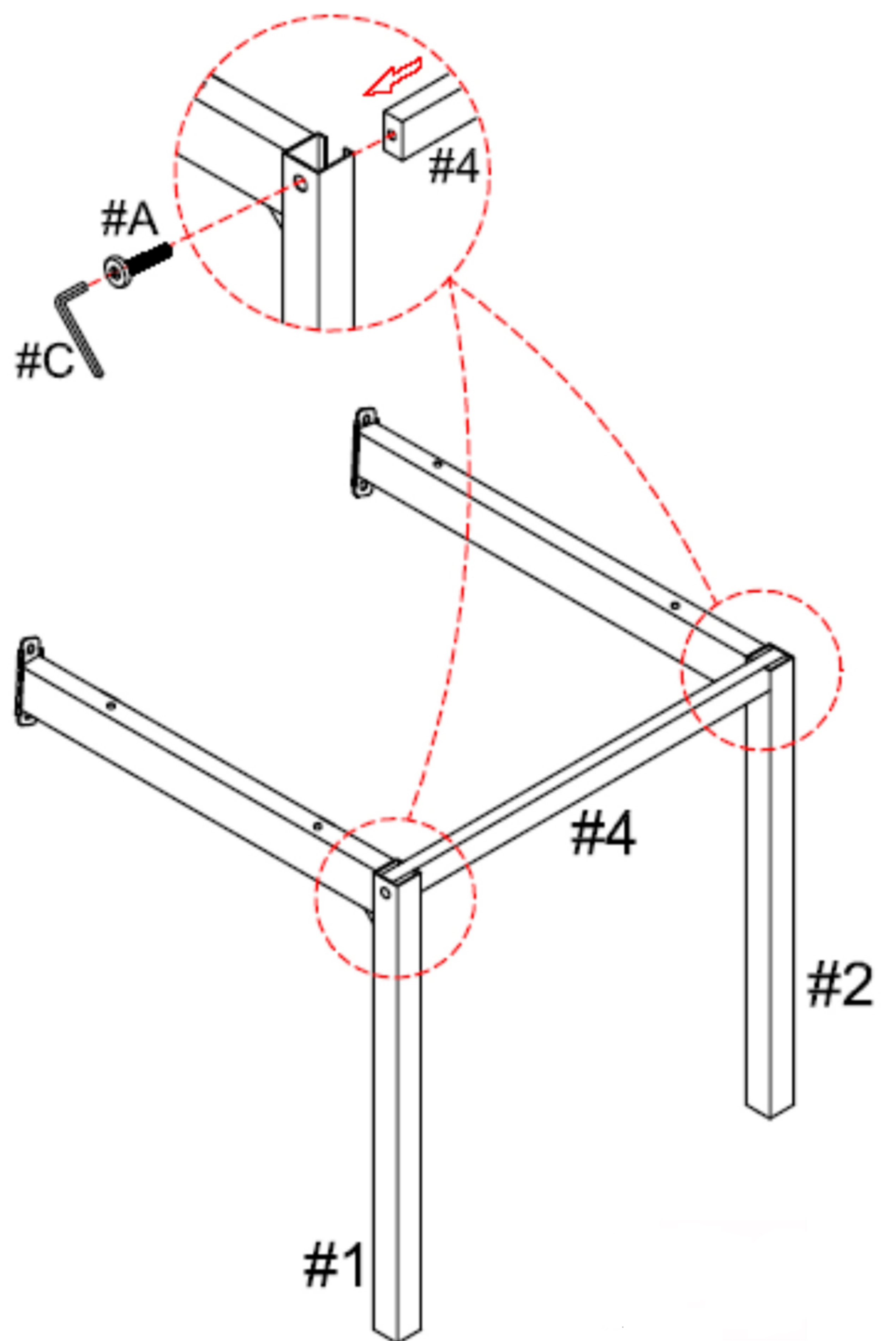
Allen Wrench

ASSEMBLY INSTRUCTIONS

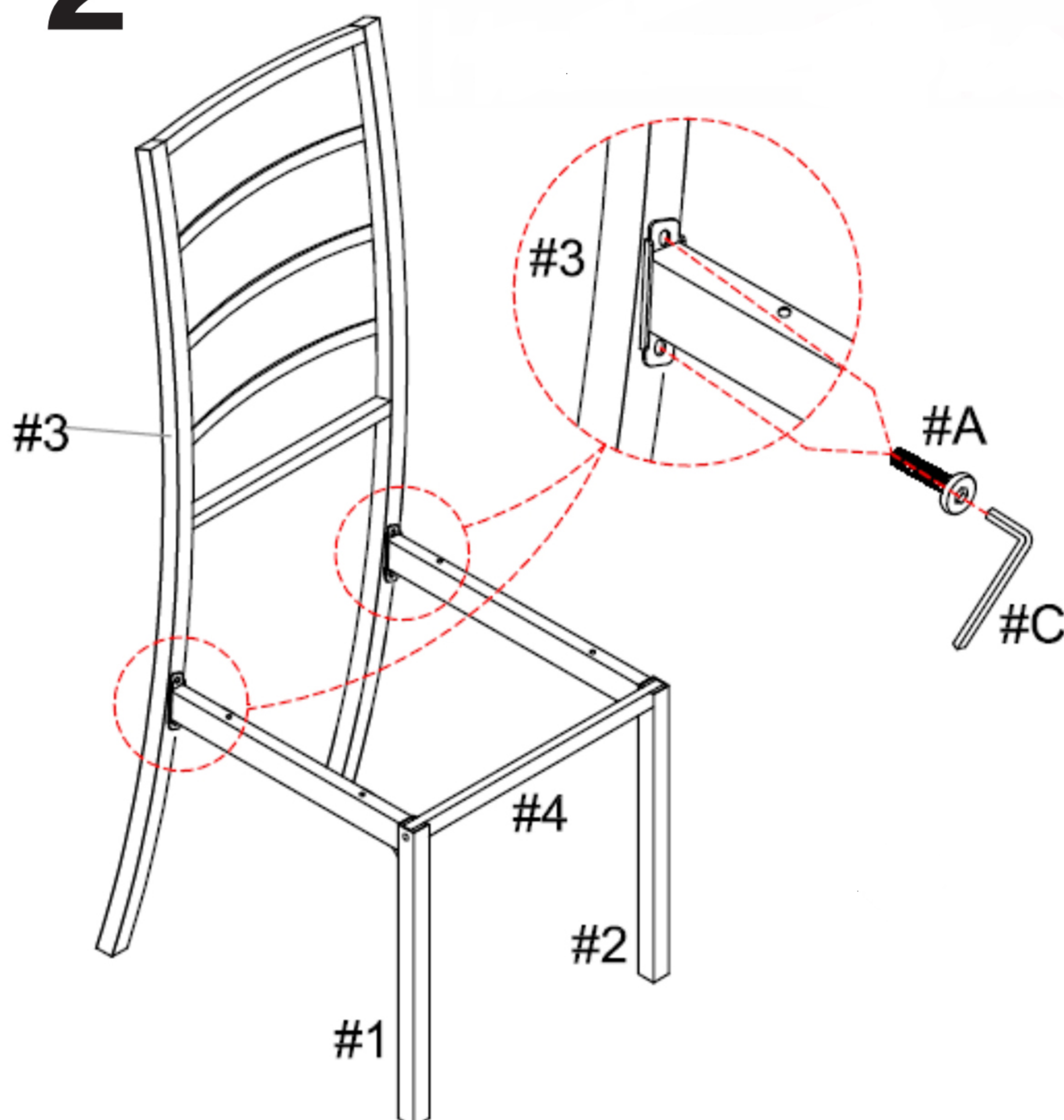
- 1** Part **(#1)** x 1 pc
Part **(#2)** x 1 pc
Part **(#4)** x 1 pc
Hardware **(#A)** x 2 pcs

- I. Align the front leg support (#4) with the pre-drilled holes of the left front leg (#1) and the right front leg (#2).
- II. Insert 2 bolts (#A) through the left front leg (#1) and the right front leg (#2) using the Allen wrench (#C) to secure them with the front leg support (#4).

Note: Right and left are determined by facing the front of the chair in the upright position.



2



- Part **(#3)** x 1 pc
Hardware **(#A)** x 4 pcs

- I. Align the assembled left front leg (#1) and the right front leg (#2) with the pre-drilled holes on the backrest with legs (#3).
- II. Secure 4 screws (#A) through the brackets of the left front leg (#1) and the right front leg (#2) using the Allen wrench (#C) to secure them to the backrest with legs (#3).

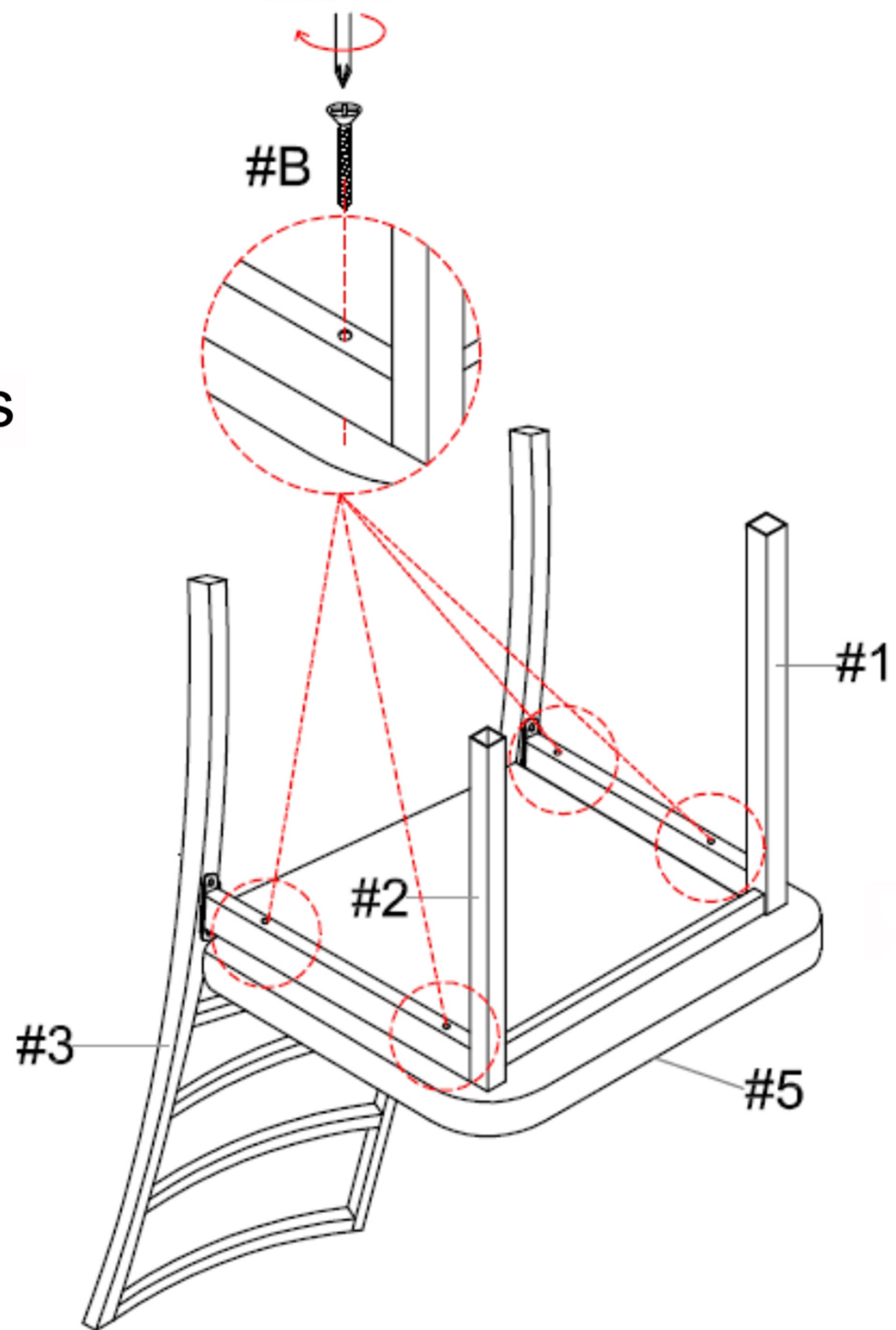
ASSEMBLY INSTRUCTIONS

3

Part (#5) x 1 pc

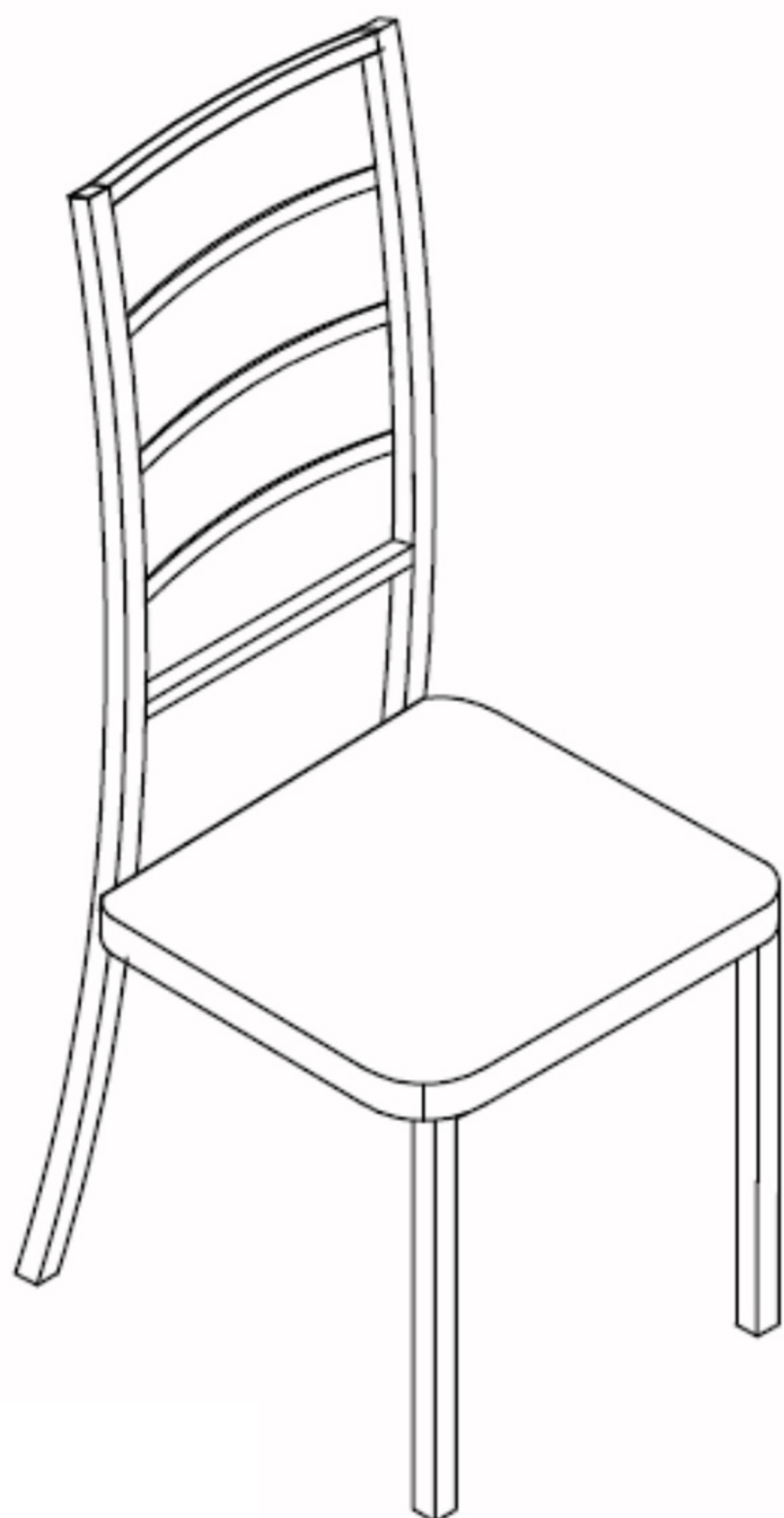
Hardware (#B) x 4 pcs

- I. Align the seat (#5) with the pre-drilled holes on the left front leg (#1) and the right front leg (#2).
- II. Secure 4 screws (#B) through bottom of the left front leg (#1) and the right front leg (#2) using the Phillips screwdriver to secure them with the seat (#5).



4

Make sure the chairs are rested on a flat surface and do not feel loose or wobbly. If they do, double check that the bolts/screws are secured and properly tightened.



X 4

ASSEMBLY COMPLETED



Please ensure the furniture rests on an even and flat surface. If the product wobbles or feels loose, double-check all bolts and/or screws are properly tightened and secured.



Keep this handy!

Please retain this instruction manual and any order-related information for future reference.