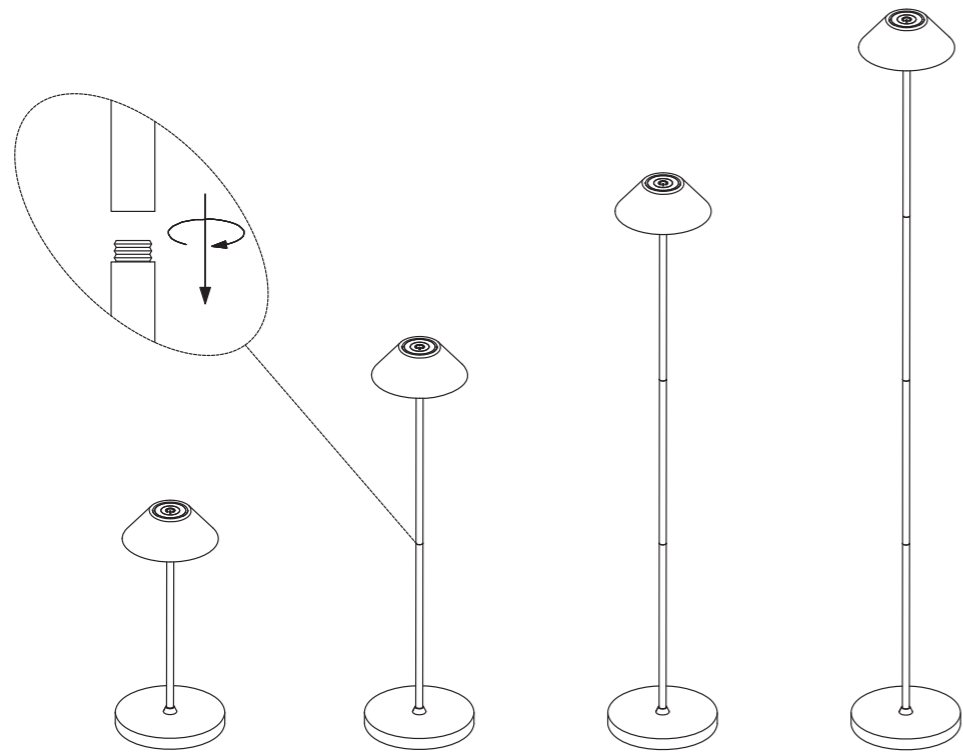
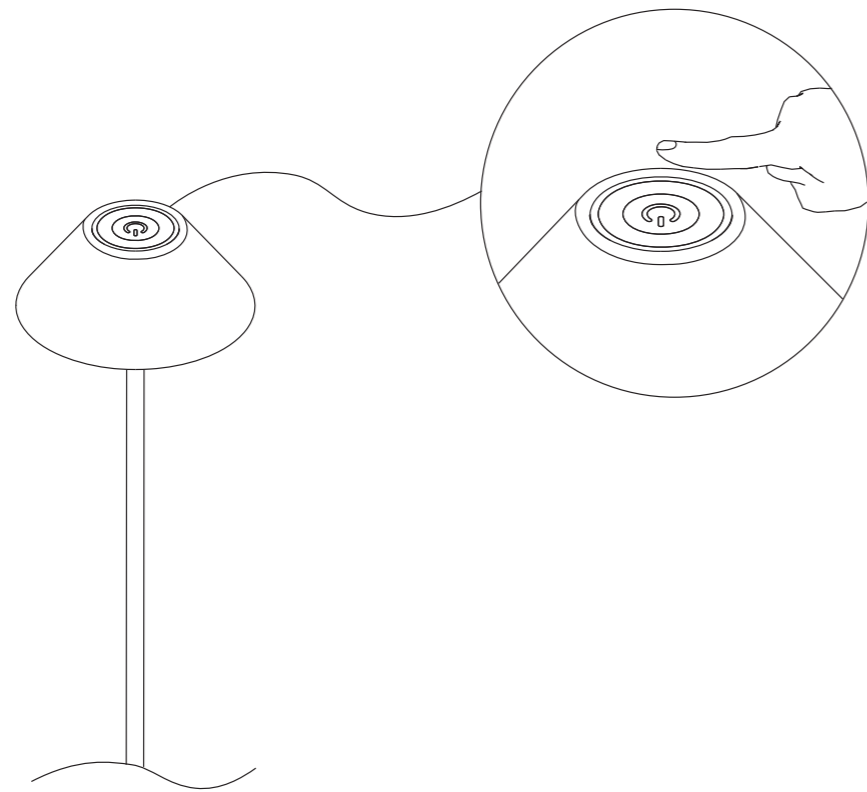


4. Display at different heights



SWITCH INSTRUCTIONS

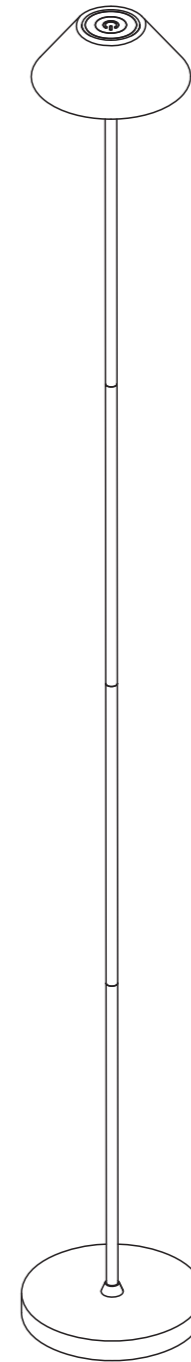


Tap to adjust the color temperature, and press and hold to adjust the brightness.

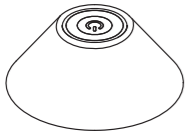
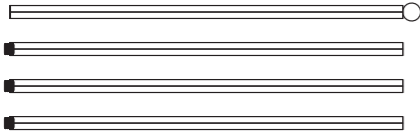
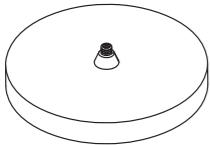

INSTALLATION MANUAL

FLOOR LAMP

Model No.: ZJ01B



PACKING LIST

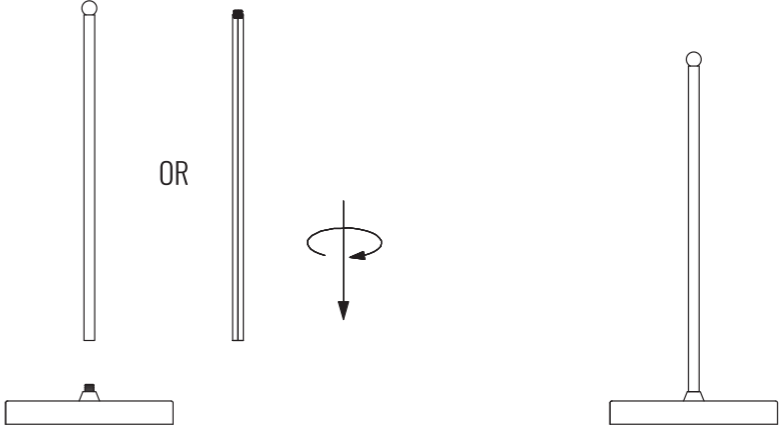
	Rechargeable Lampshade
	4 Connecting Rods
	Base
	USB-A to USB-C Cable

PRODUCT ATTRIBUTES

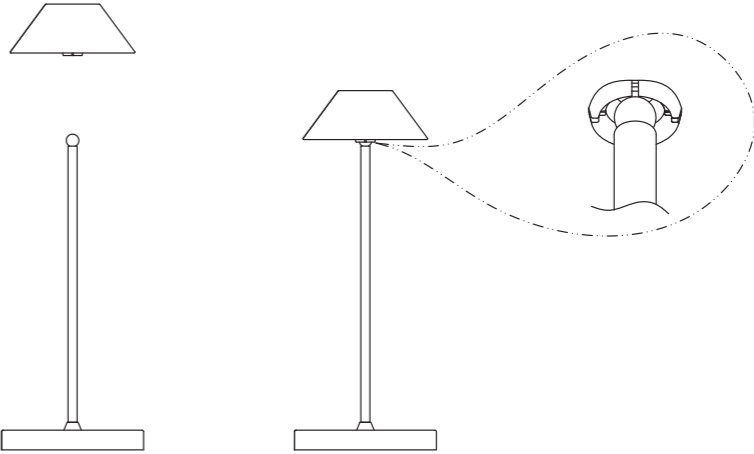
Light source power / w	4.5w
Battery capacity / mAh	4000mAh
Usage duration (fully charged state)	7h
Switch position	Top of Lampshade
Switching mode	Touch

INSTALLATION

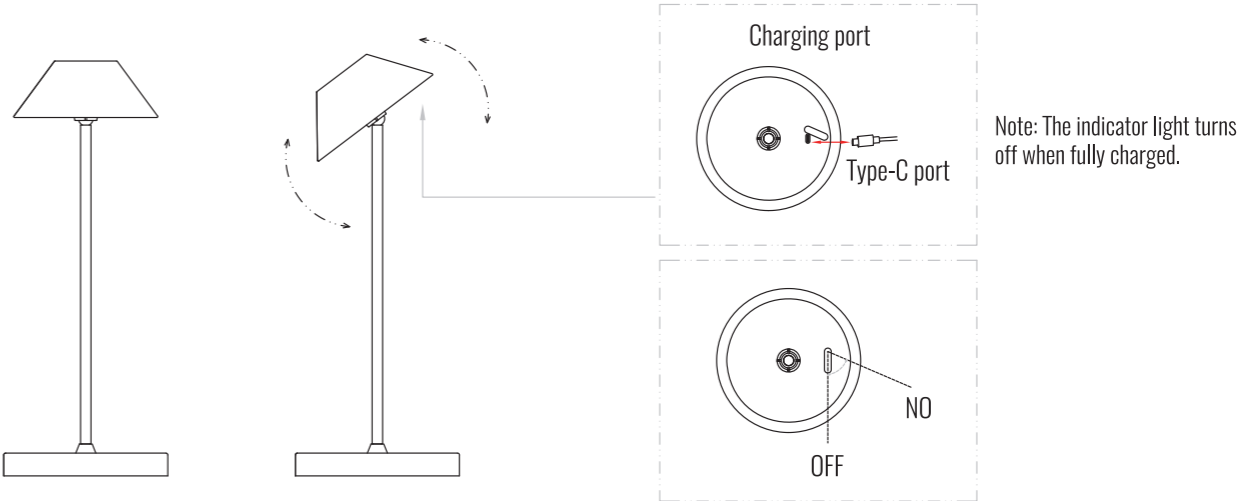
1. Install the base connecting rod



2. Magnetic lampshade



3. The lampshade can be tilted



Note: The indicator light turns off when fully charged.