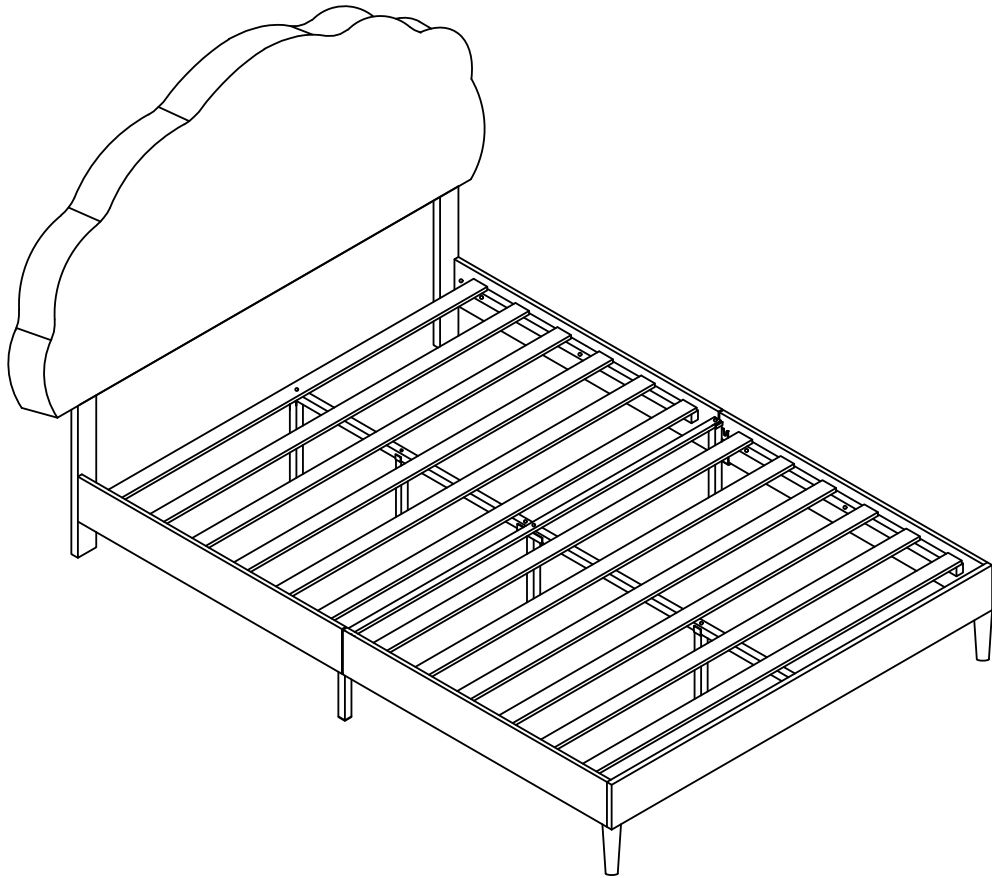


Installation Manual



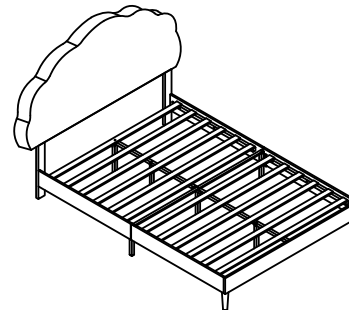
Tips!

Check all the components & screws before assembly. **Do not install in case part is missing, contact us to get.** Send email with your question

Return Policy

We believe you will absolutely love your new item. But if for some reason you want to return, please contact us directly before you decide to return your product. Our customer service organization can answer most concerns and assist you with any questions you may have about your new item, please email us first

The item must be returned within 30 days of delivery for a full refund. The item must be returned in good condition, in original box, with all original proof of purchase, parts and accessories.



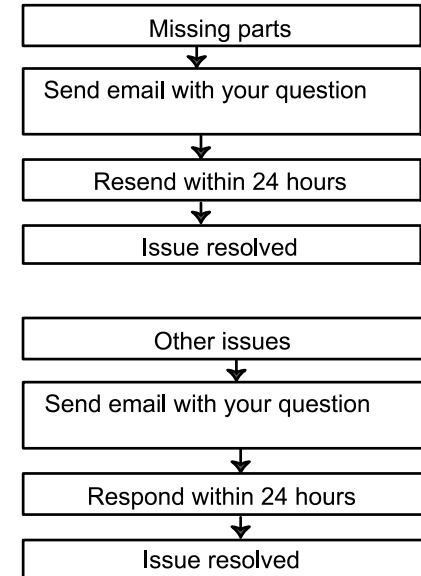
Item Description:

Bed Frame



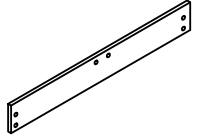
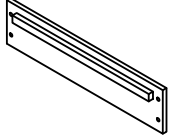
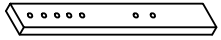
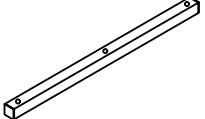
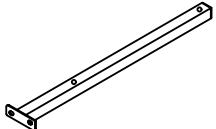


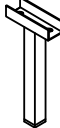
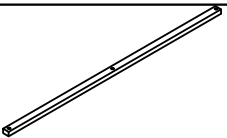
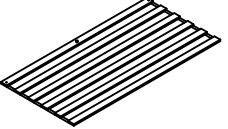
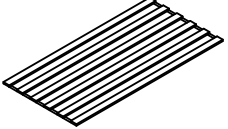
Dimension:


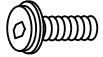




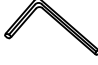






TWIN:117*195*(110-120)cm

Trouble shooting:



We control manufacturing and distribution ourselves, ensure the quality.

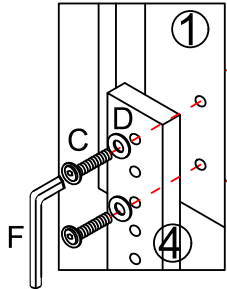
Components 					
①		1	②		1
	TWIN:117*59*7.5			TWIN:100*15.2*2.5	
③		4	④		2
	TWIN:95.3*15.2*4.5			TWIN:78*7*2.5	
⑤		1	⑥		1
	TWIN:84.5*2.5*2.5			TWIN:97.9*8*2.5	
⑦		2	⑧		3
	TWIN:28.9*7.5*4			TWIN:27.5*3.1*2.5	
⑨		1	⑩		1
	TWIN:27.5*8*3.1			TWIN:95*2.4*1.2	
⑪		1	⑫		1
	TWIN:95*5.2*1.2			TWIN:95*5.2*1.2	

Screws&Tools 					
Ⓐ	 Bolt M8 x 25	6	Ⓑ	 Bolt M8 x 45	5
Ⓒ	 Bolt M8 x 45	4	Ⓓ	 Spacer	4
Ⓔ	 Screw M4 x 25	2	Ⓕ	 Allen Key M5	1
Ⓕ	 Bolt M8 x 18 Preinstilled on components	22			
Screws&Tools 					
Ⓖ	 Foot	2	Ⓘ	 Angle iron (Right)	1
Ⓖ	 Angle iron (Left)	1	Ⓙ	 Angle iron	2

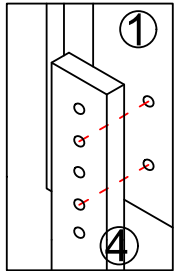
Step 1



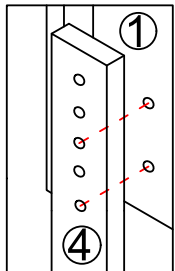
Each pair of holes corresponds to a mattress thickness as shown below



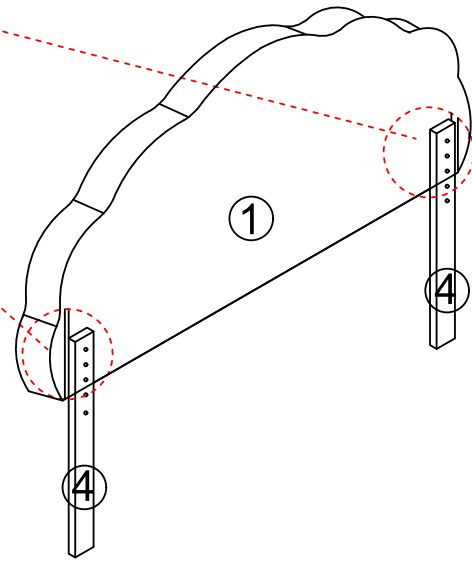
Use these holes to fit a 12 inch thick mattress (twin:47.2 inch tall overall)



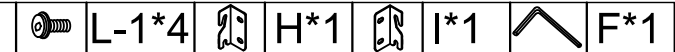
Use these holes to fit a 10 inch thick mattress (twin:45.2 inch tall overall)



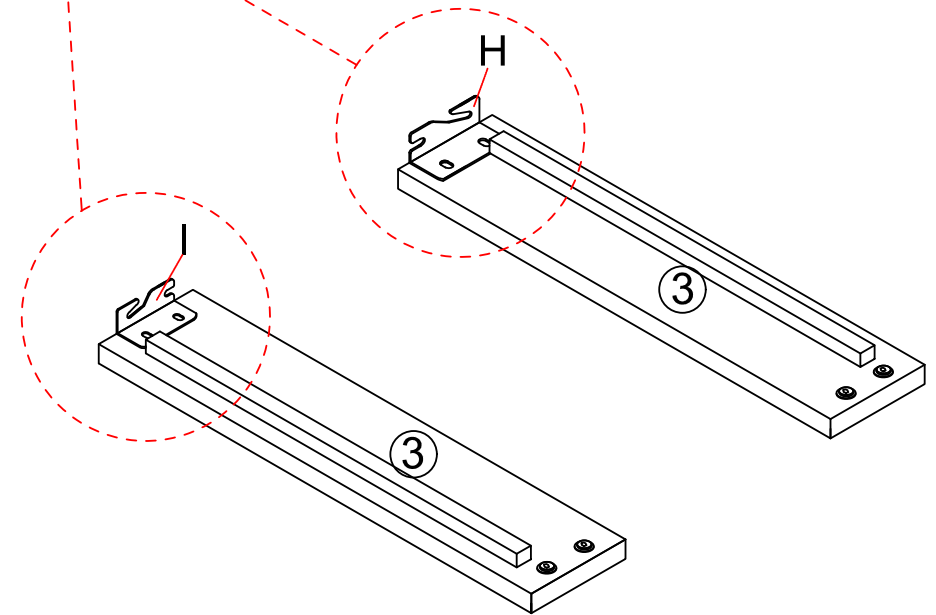
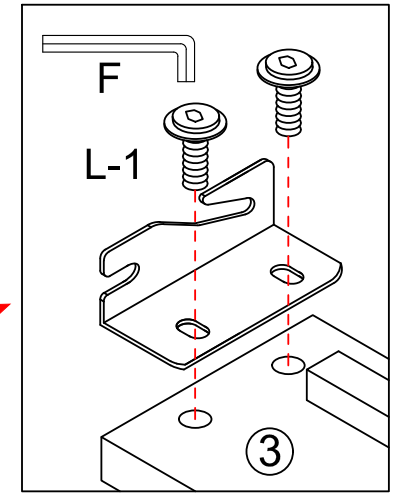
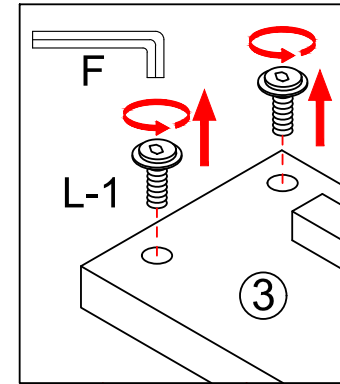
Use these holes to fit a 8 inch thick mattress (twin:43.2 inch tall overall)



Step 2

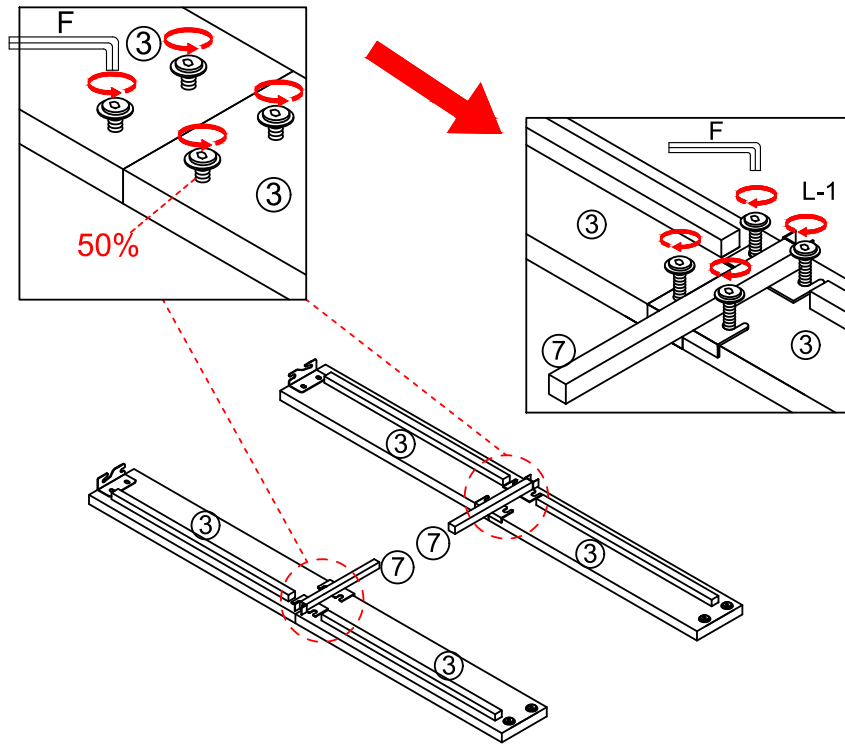


Tips:
Must Keep the Brackets Lay Toward the Ground



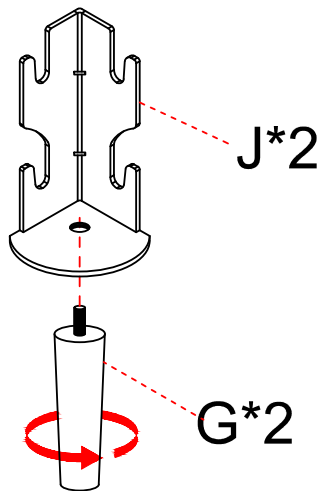
Step 3

L-1*8 7*2 F*1



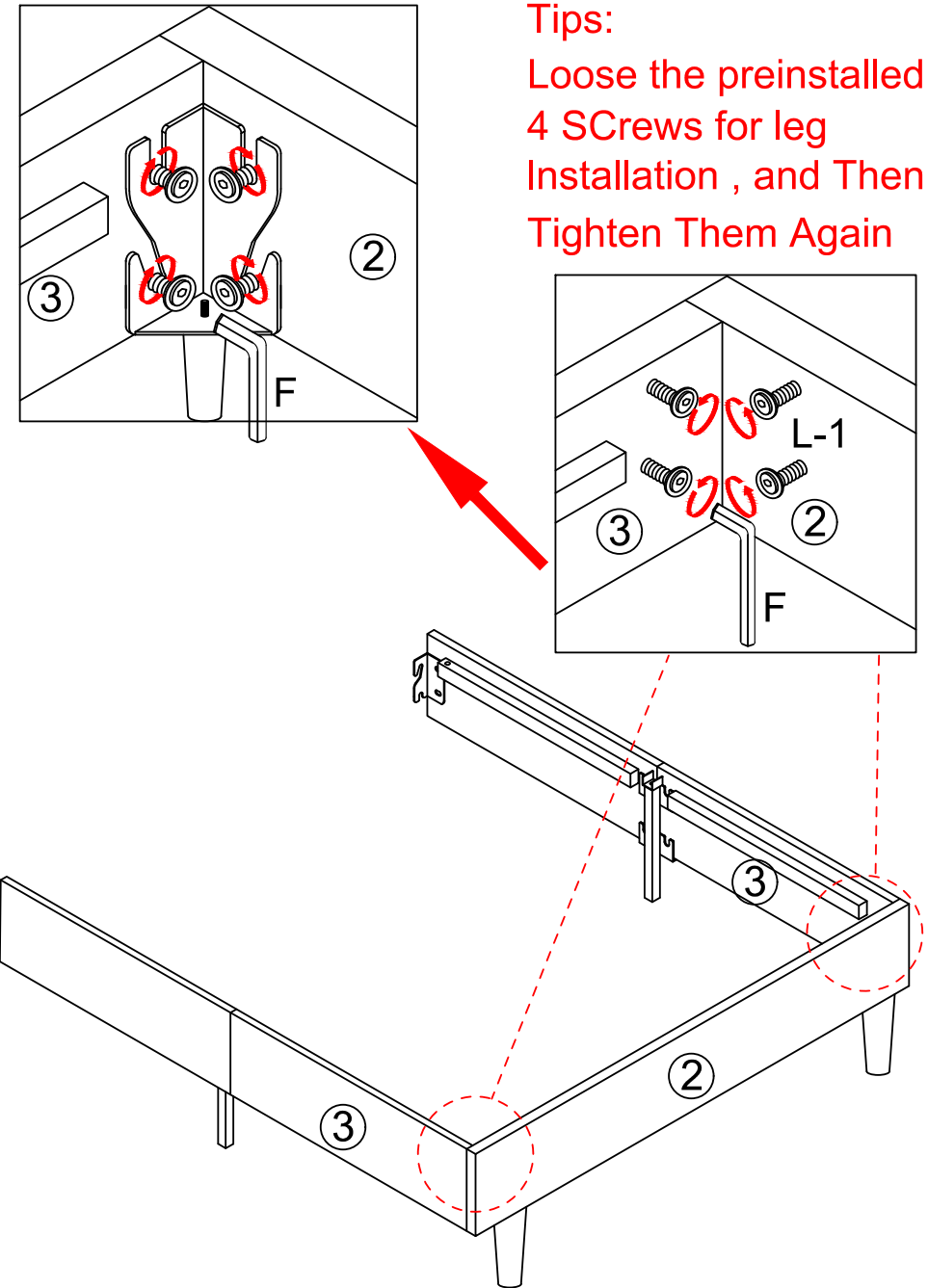
Step 4

J*2 G*2



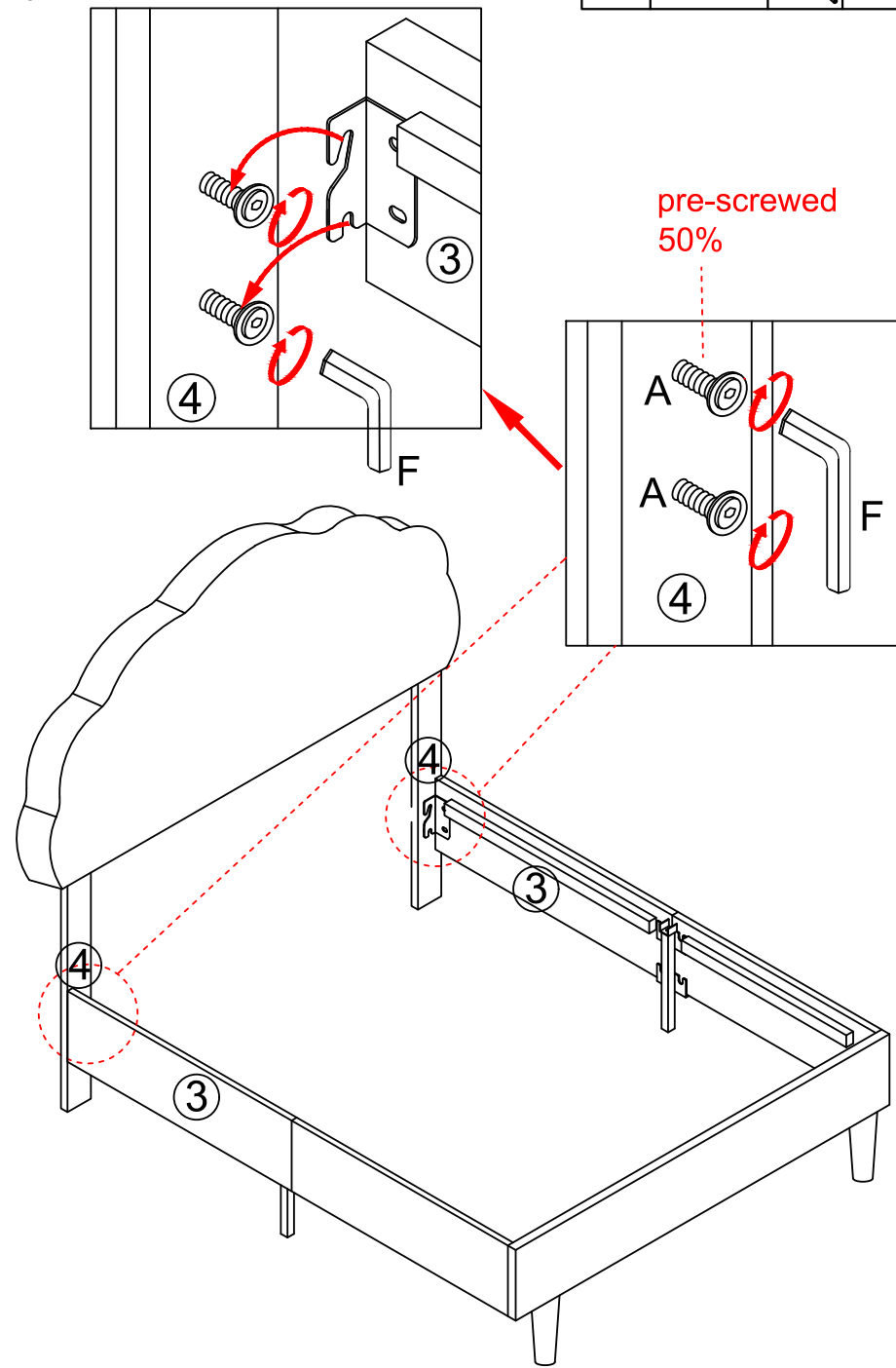
Step 5

L-1*8 F*1



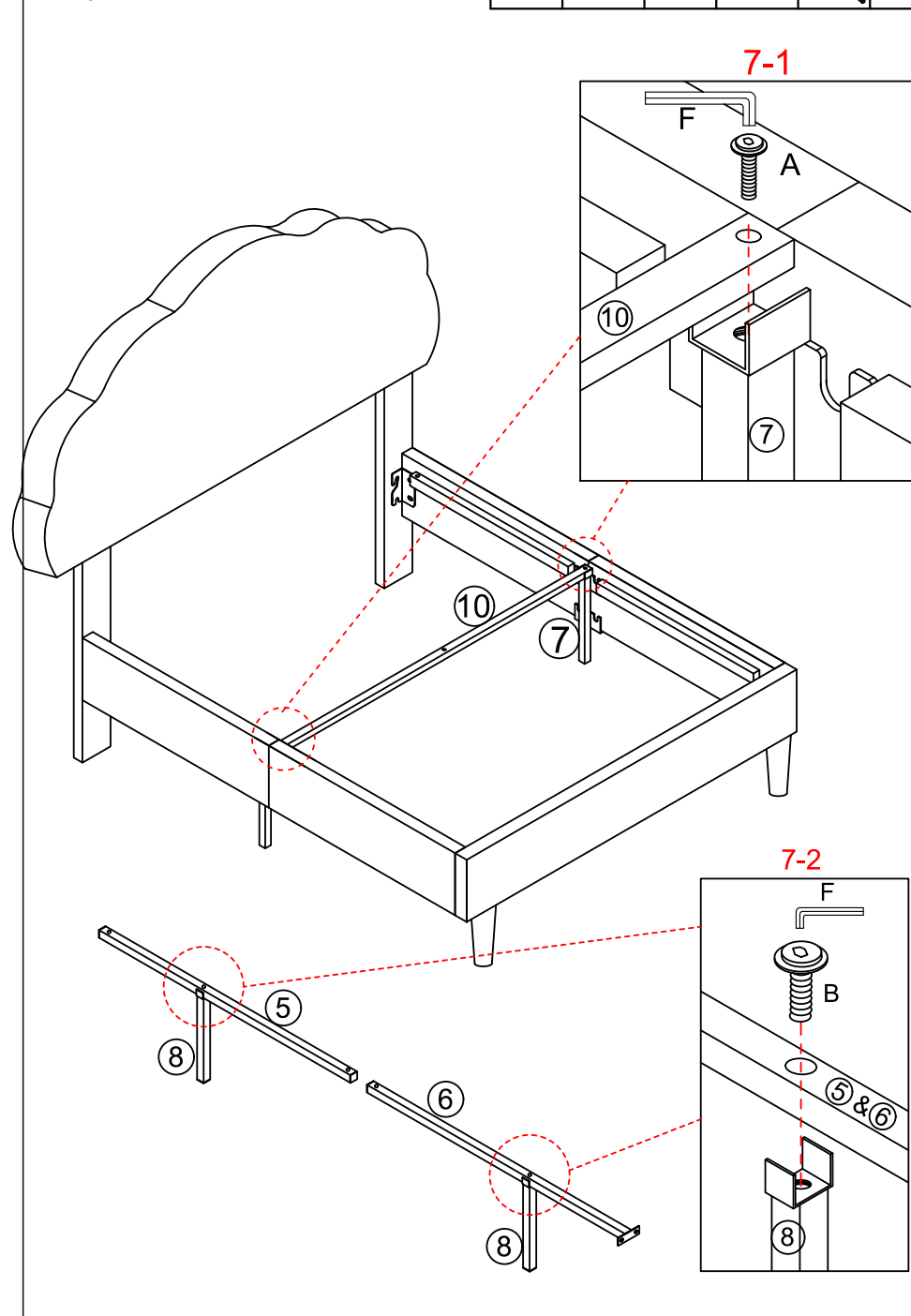
Step 6

A*4 F*1



Step 7

A*2 B*2 F*1



Step 10

