

INSTALLATION AND CARE GUIDE

BATHTUB



**READ ALL INSTRUCTIONS BEFORE
UNPACKING THE PRODUCT**

INSTRUCTIONS THAT, IF IGNORED COULD RESULT IN DEATH OR SERIOUS INJURY
CAUSED BY INCORRECT HANDLING OR INSTALLATION OF THE PRODUCT. THESE
INSTRUCTIONS MUST BE OBSERVED FOR SAFE INSTALLATION.

HEAVY!



**TEAM LIFTING
REQUIRED**

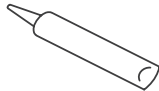
TEAM ARE REQUIRED TO LIFT AND DURING ENTIRE INSTALLATION OF THIS PRODUCT

TOOLS REQUIRED FOR INSTALLATION (NOT INCLUDED)

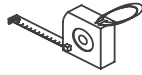
OTHER TOOLS MAY BE REQUIRED



Soft Cloth
or Blanket



Silicone



Tape
Measure



Pencil/Marker



Hacksaw



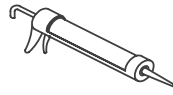
Safety Glass



Knife



Level



Caulk Gun



Adjustable
Wrench



Channel
Lock Pliers



Plumber's Tape

Inspect the bathtub for any damages. If any damage is found please contact your retailer.

BEFORE INSTALLATION

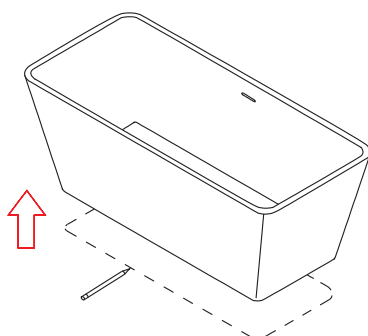
CAUTION: Risk of personal injury. This bathtub is extremely heavy. Obtain sufficient help to lift and move the tub.

IMPORTANT!

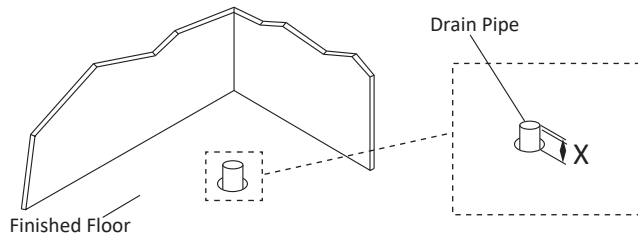
- (1) To ensure a successful installation, install the bathtub on a level finished and structurally floor.
- (2) Observe all local plumbing and building codes.
- (3) Check that all parts are included. Make sure you locate all the parts before discarding the carton and packing material.
- (4) Unpack and inspect the bathtub for damage. If there is any missing parts or damage is found, please contact the seller for assistance. Do not install it, return the bathtub to the carton.
- (5) No claims for damages or blemishes will be accepted once tub has been installed.
- (6) Carefully moving the bathtub to the installation area. This bath is heavy and will not easily fit through doorways.
- (7) Provide drain access from below and access to all plumbing connection.
- (8) Because of the weight and volume of the tub, we strongly recommend that this installation be done by qualified licensed professional and with the help of at least one other person, a fall may seem like minor but may result in cracking on tub. Moving straps and rubber gripped gloves are highly recommended.
- (9) Tub drain and brass tailpiece are supplied with the product, however other accessories like slip joint, P-Trap and adapter are not included and must be purchased separately.

INSTALLATION STEPS:

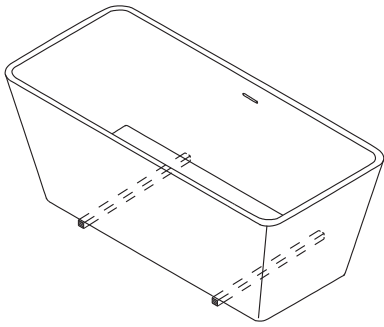
1. Determine the installation location. Position the tub at the desired location, mark the perimeter of the tub with pencil and the location of where the tub drain will be situated, remove the tub, and place it on a soft blanket or cardboard.



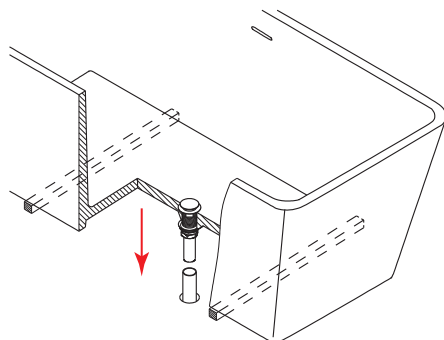
2. Install a PVC or brass drainpipe(not provided), make sure the drainpipe extends above the finished floor.



3. Place 2 pieces of lumber (4"x4"), long enough to span the width of the tub and place them on each side of the drainpipe to temporary support the tub.

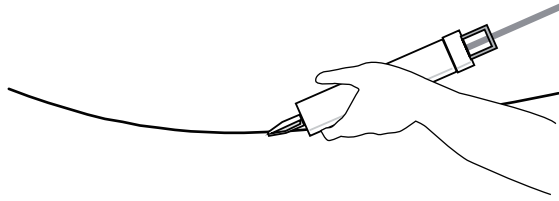


4. Team lift the bathtub on top of the lumber support rails and carefully reposition the tub, so the drain is directly over the drainpipe, adjust the tub position to ensure the drain is in the center of the drain hole.



5. Close the drain and fill $\frac{1}{4}$ tub with water, allow the water to stand for 30 minutes, check for leaks. Tighten the drain and tailpiece is needed.

6. Apply a bead of silicone caulking around the perimeter of the tub, clean off excess caulking



Care and Maintenance for Solid Surface Bathtub

Your new solid surface tub has been factory sealed and polished to a smooth finish, to maintain the surface and keep it looking fresh and new, it is easy to maintain the finish, however there are few do's and don'ts that need to be aware of, please care this tub in accordance with following care and maintenance tips.

Maintenance Tips:

- (1) If your tub develops minor scratches, they may be removed by scrubbing gently with fine grit sandpaper, a soft brush or non-abrasive sponge and cream cleaner.
- (2) In addition, if the minor scratches remaining after above step or you would like to polish the area in question to its original finish, you may perform following procedure.
 1. Clean the surface with water and make sure no dust remains.
 2. Using water, polish the area starting with 800grit sandpaper then final with 1000 grit sandpaper.
 3. Wipe up remaining wax with clean dry cloth.

Daily Care:

Dos:

- Use warm water to rinse the tub, wipe up water with clean and dry cloth after each use, this will maintain the tub finish and look as new.

Don'ts:

- Do not use any abrasive cleaners, cleaners containing acid, alkaline, ammonia or solvents which will cause damage in the surface.
- Do not expose the surface to hair dye or nail varnish as this may cause stains.