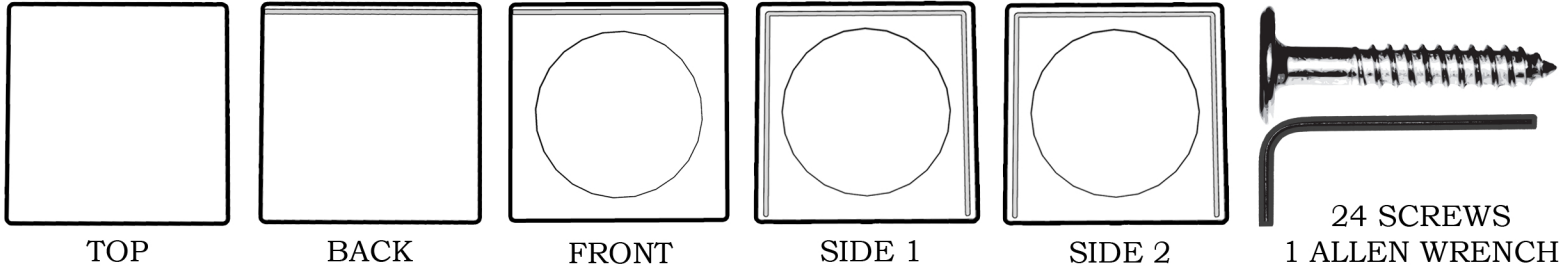


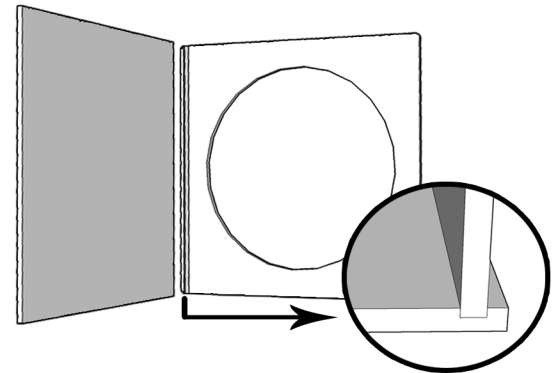
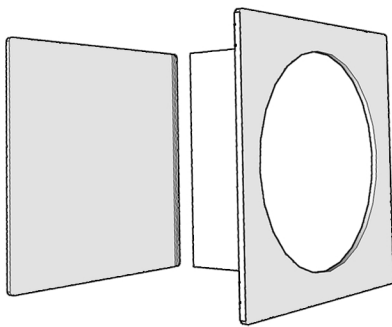


C29029 ASSEMBLY INSTRUCTIONS

PARTS:

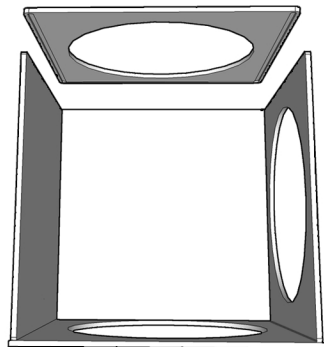
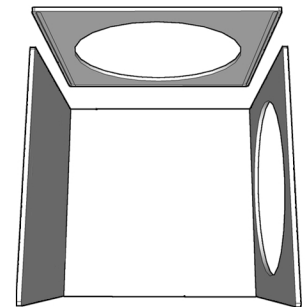


Step 1: Fit edge of top piece into groove of front piece to line up screw holes and edges. Place a screw in each of the (3) holes and tighten with allen wrench. **DO NOT OVER TIGHTEN. DO NOT DRILL.**



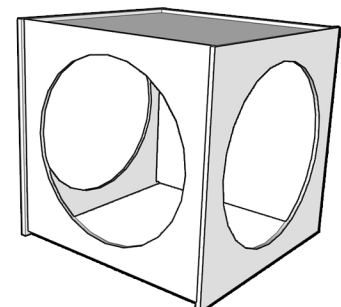
Step 2: Fit opposite edge of top piece into groove of back piece to line up screw holes. Place a screw in each of the (3) holes and tighten with allen wrench. **DO NOT OVER TIGHTEN. DO NOT DRILL.**

Step 3: Place a side panel over the (3) fitted pieces, lining up the grooves on the side panel with the edges of the (3) fitted pieces. Once all (3) edges are firmly fitted into the grooves of the side piece and the screw holes are lined up, place a screw in each of the (9) screw holes and tighten with allen wrench. **DO NOT OVER TIGHTEN. DO NOT DRILL.**



Step 4: Turn unit over onto the side that was just installed. Place the second side panel over the (3) fitted pieces, lining up the grooves on the side panel with the edges of the (3) fitted pieces. Once all (3) edges are firmly fitted into the grooves of the side piece and the screw holes are lined up, place a screw in each of the (9) screw holes and tighten with allen wrench. **DO NOT OVER TIGHTEN. DO NOT DRILL.**

Step 5: Turn unit over onto open side and assembly is complete.



**For assistance, call: 1-800-247-8465
or email: sales@wooddesigns.org**