

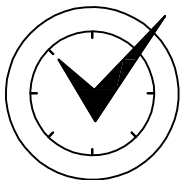
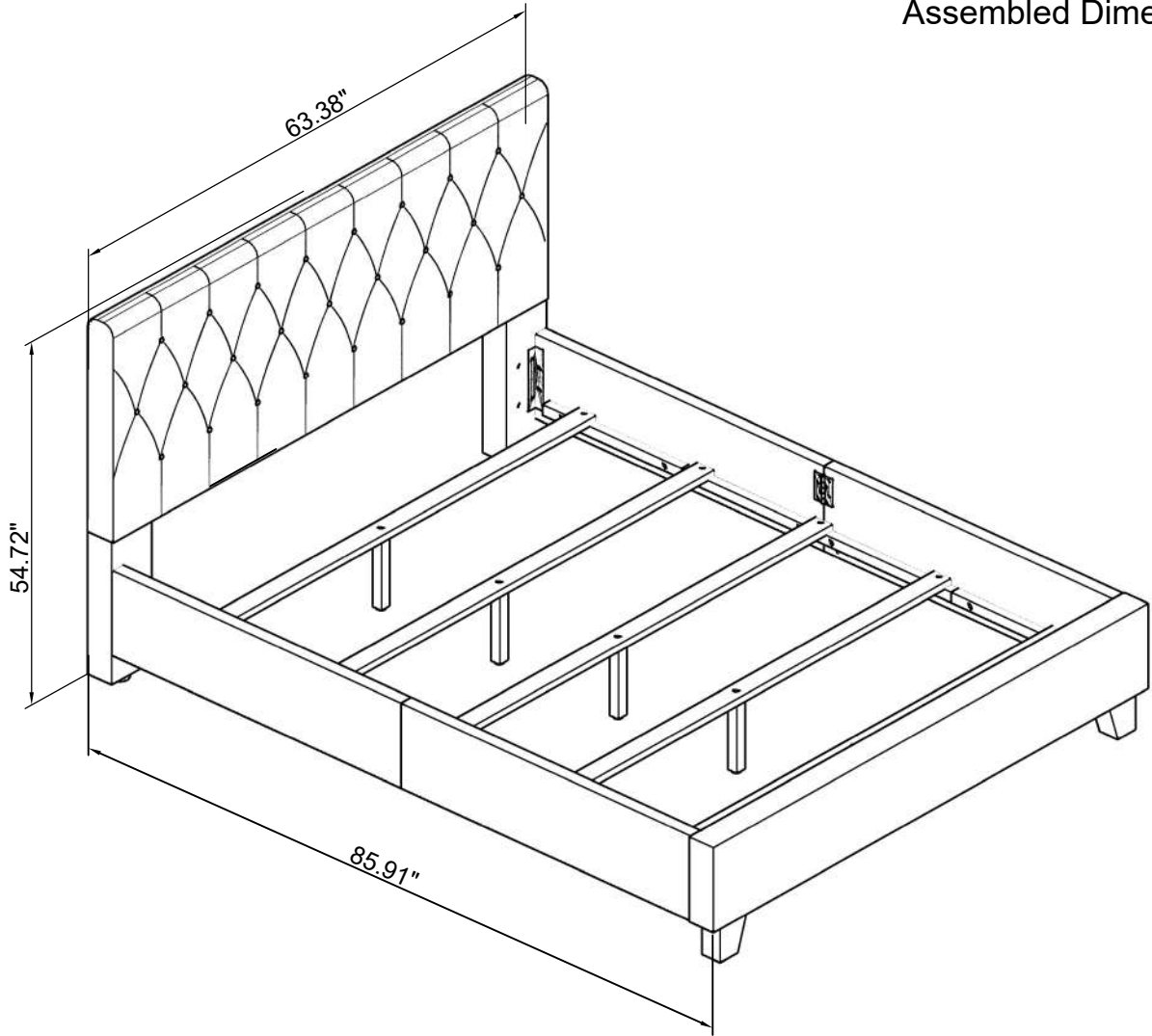
ASSEMBLY INSTRUCTION

Thank you for purchasing this quality product. Be sure to check all packing materials carefully for small parts that may have come loose inside the carton during shipment.

Before you start assembly: Please read all instructions carefully before beginning the assembly process. It is recommended that 2 people work together during assembly to prevent personal injury and to ensure that heavy or cumbersome parts are not damaged during the process.

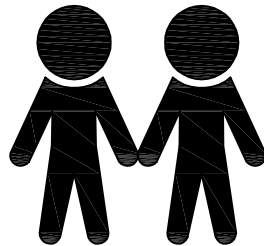
CAUTION: For your safety, this product requires two people to lift.

Assembled Dimensions

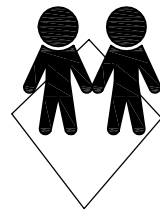


30 minute

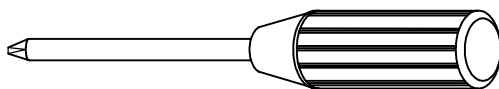
APPROXIMATE ASSEMBLY TIME



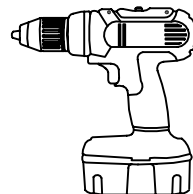
2 PERSON



REQUIRED ASSEMBLY SPACE



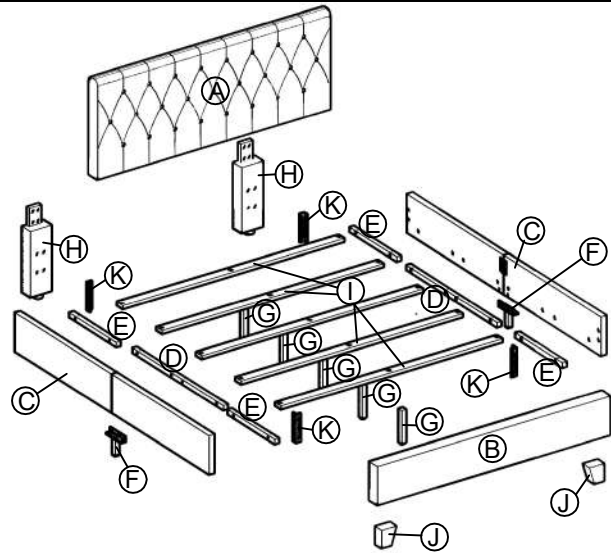
RECOMMENDED ASSEMBLY TOOLS



NOT PROVIDED

PART LIST

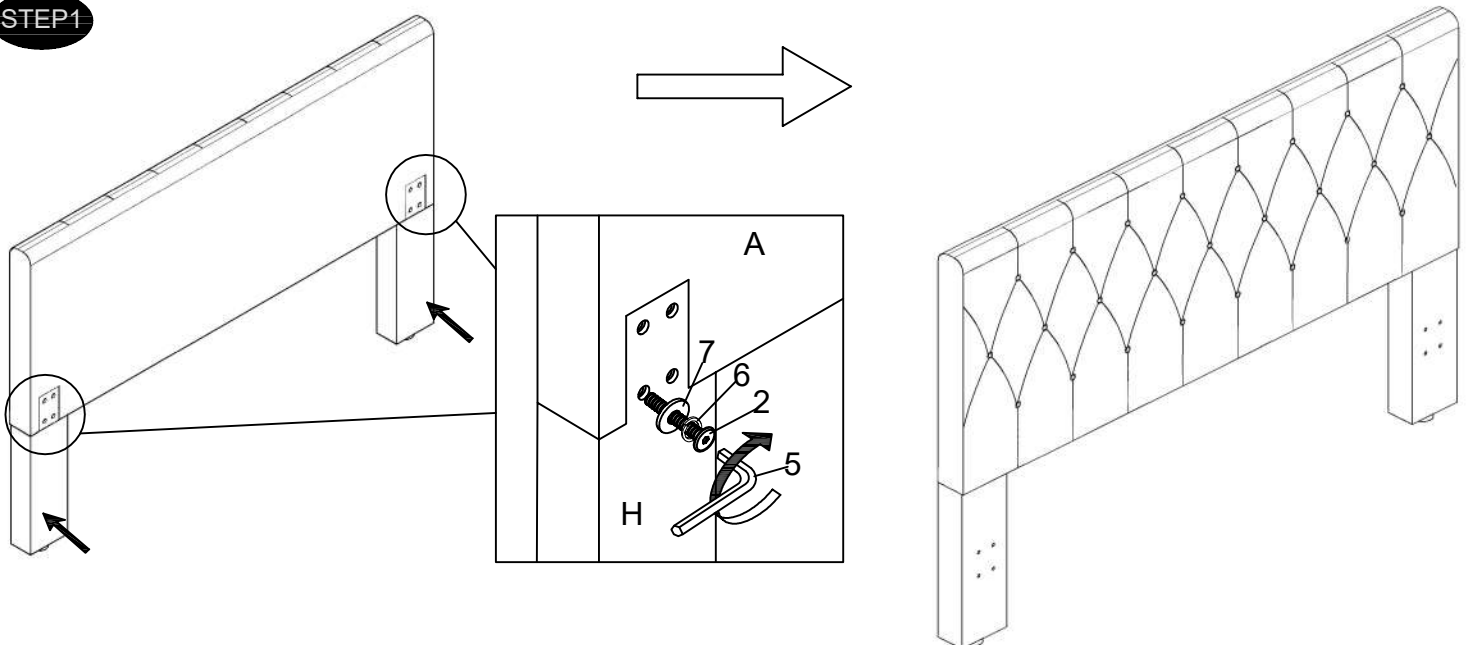
NO	PARTLIST	QTY
A	HEADBOARD	1 PC
B	FOOTBOARD	1 PC
C	SIDERAIL	2 PCS
D	SIDE SLAT -A	2 PCS
E	SIDE SLAT -B	4 PCS
F	SIDERAIL SUPPORT LEG	2 PCS
G	CENTER SUPPORT LEG	5 PCS
H	HEADBOARD LEG	2 PCS
I	SLAT	5 PCS
J	FOOTBOARD LEG	2 PCS
K	METAL CONNECTOR	4 PCS



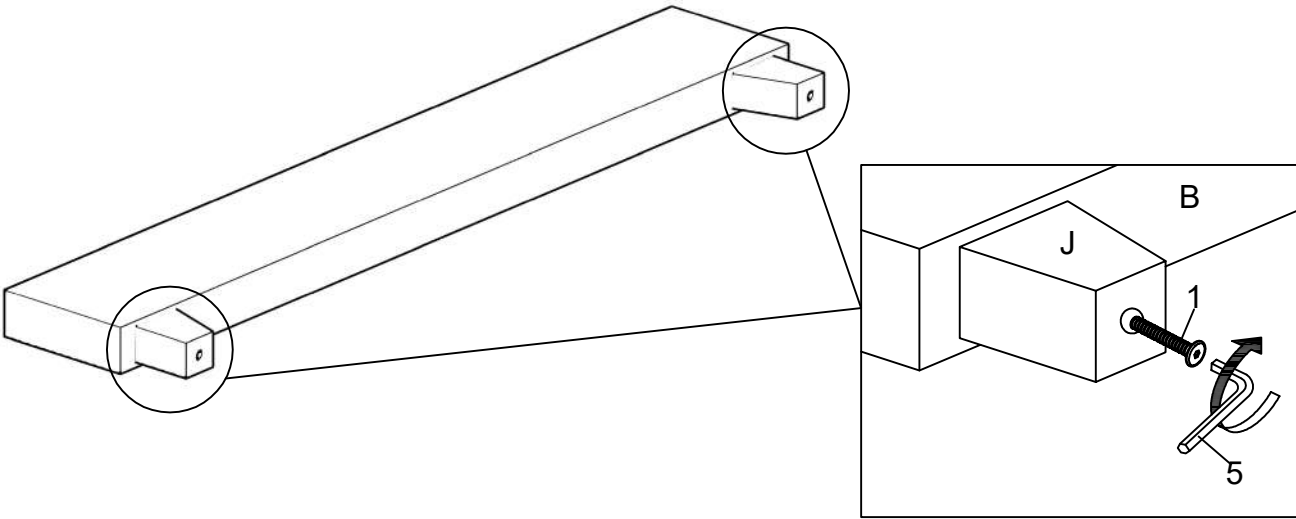
HARDWARE LIST

1		M8 X 100mm FLAT HEAD HEX BOLT	x2	8		CSK SCREW M4 X 25mm	x10
2		M8 X 50mm FLAT HEAD HEX BOLT	x8				
3		M8 X 45mm FLAT HEAD HEX BOLT	x16				
4		M8 X 20mm FLAT HEAD HEX BOLT	x20				
5		M5 ALLEN KEY LONG WITH BALL	x1				
6		5/6" SPRING WASHER	x24				
7		2mm FLAT WASHER	x44				

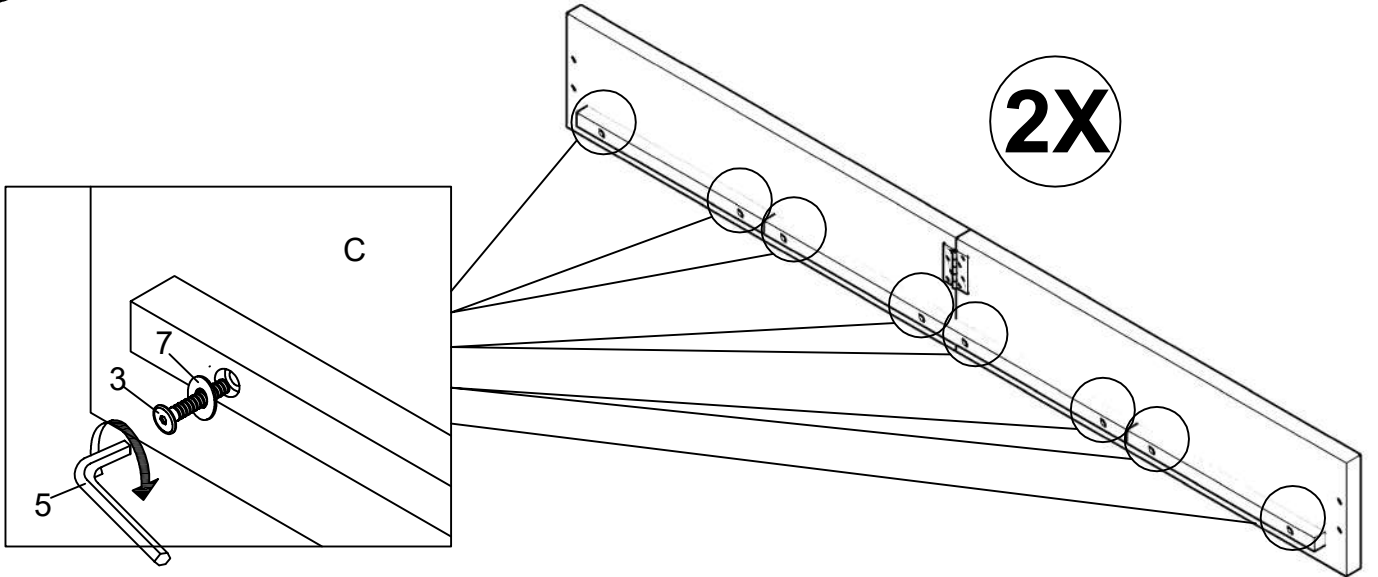
STEP1



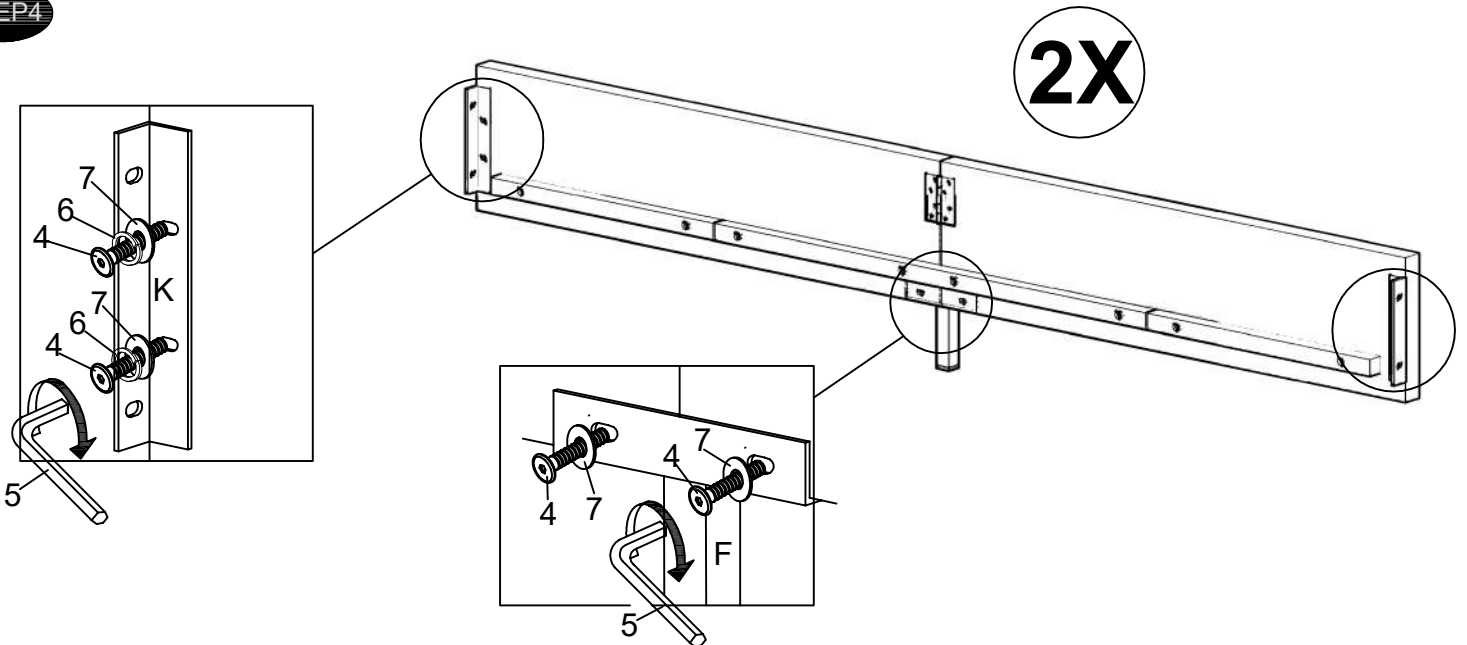
STEP2



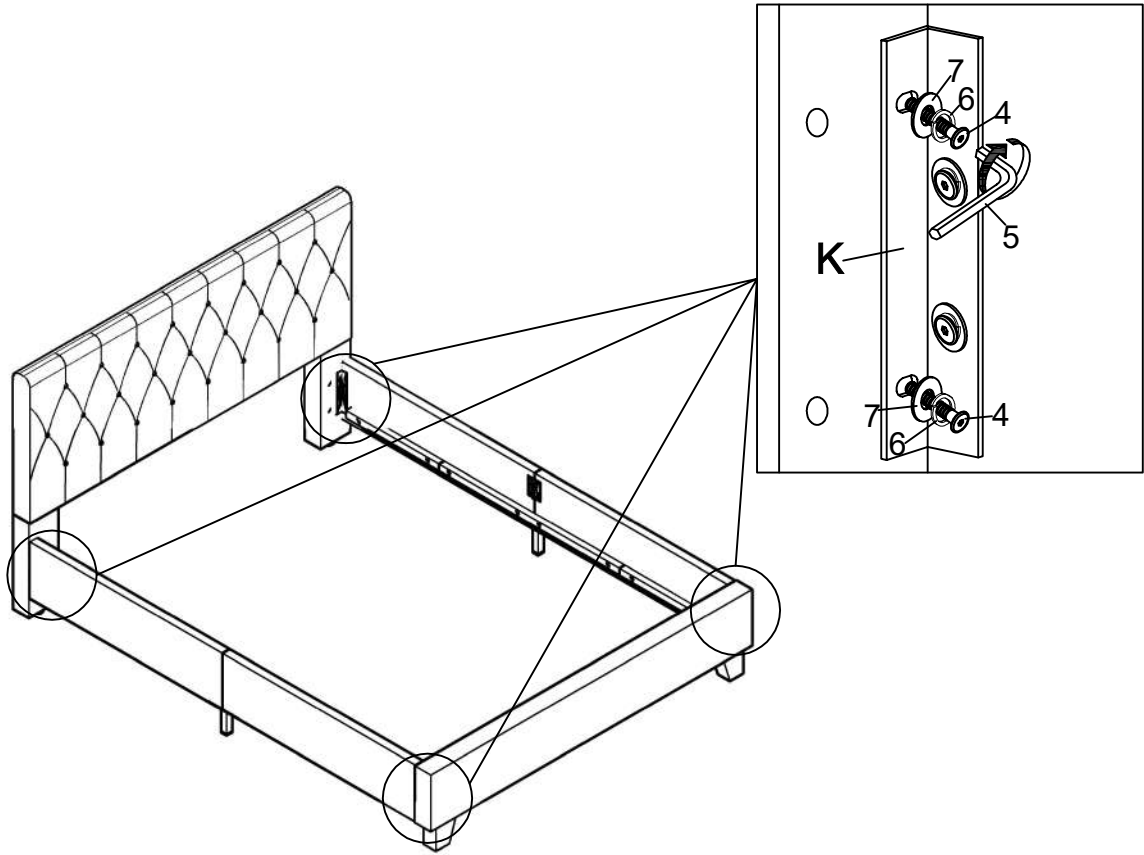
STEP3



STEP4



STEP5



STEP6

