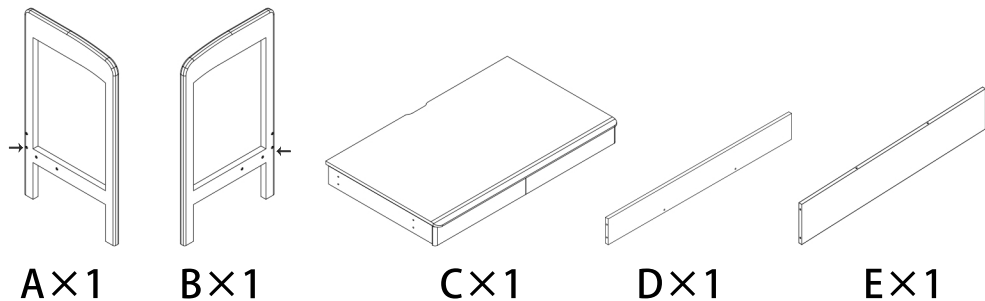
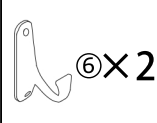
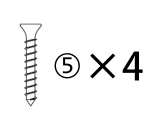
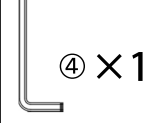
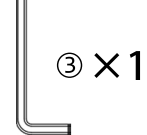
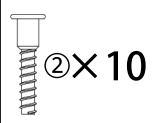
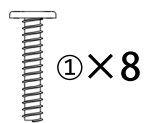


ASSEMBLY INSTRUCTION

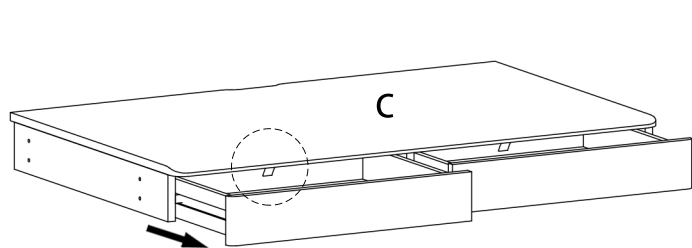


Hardware
Parts

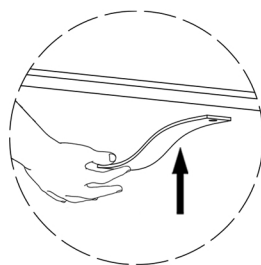


Installation Steps

(Tips: Tighten the screws 70% during installation, and tighten them only after everything is completed!)

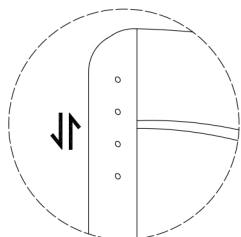


Pull the drawer out.

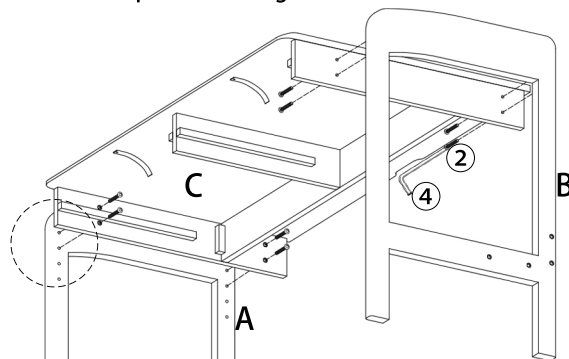


Press the plastic strip when pulling out the drawer.

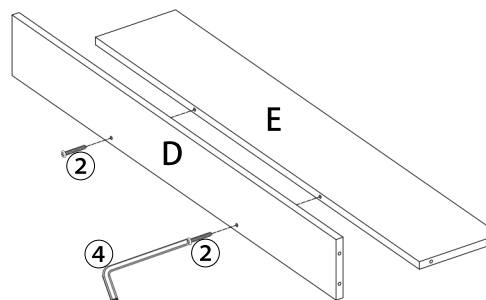
Screw parts A B C together with screwdriver ④.



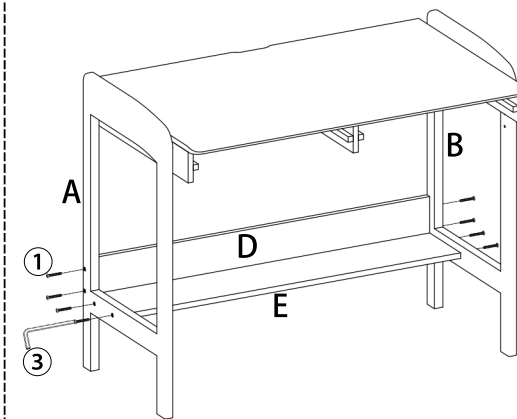
Height adjustable



Installation Steps

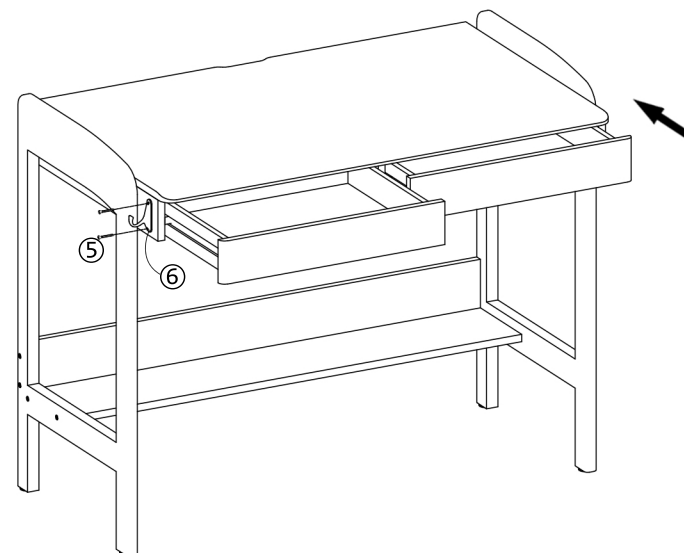


Screw parts D E together with screwdriver ④.



Screw parts A B D E together with screwdriver ③.

NOTE: No pre-drilled holes for hooks.
You can choose to install hooks or not as needed.



Install hooks and place in drawers.