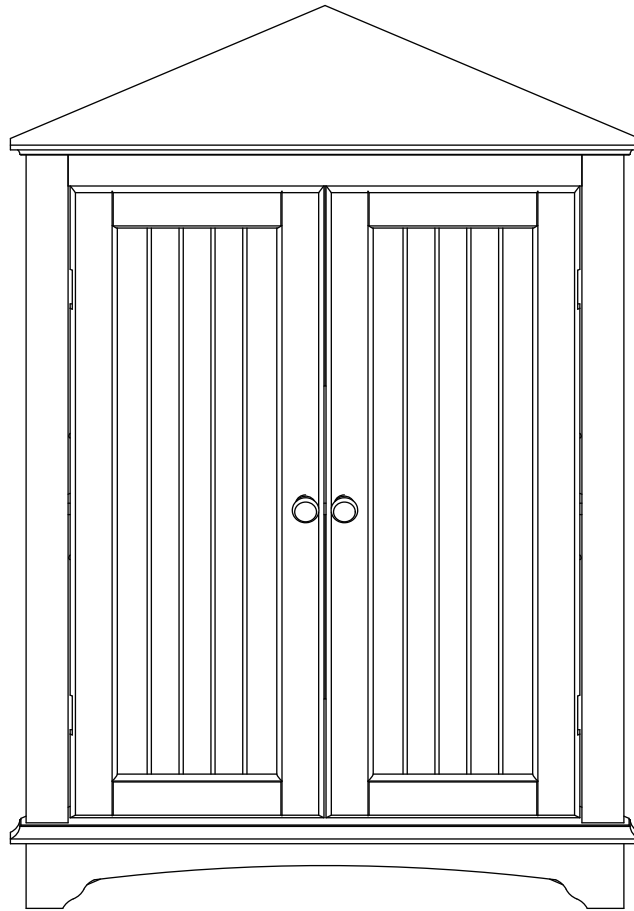


# Assembly Instruction

## Floor Corner Cabinet

---

Date of Purchase \_\_\_ / \_\_\_ / \_\_\_



---

THIS INSTRUCTION BOOKLET CONTAINS **IMPORTANT** SAFETY INFORMATION. PLEASE READ AND KEEP FOR FUTURE REFERENCE.

---



## **WARNIN**

---

- Unit can tip over causing severe injury or death.
- Anchor unit to stud in wall(if instructed to).
- Do Not allow children to climb on unit.
- Put heavy items on lower shelves or drawers.

# IMPORTANT SAFEGUARDS



Read these instructions carefully and retain them for future use. If this product is passed to a third party, then these instructions must be included.

When using the product, basic safety precautions should always be followed to reduce the risk of injury including the following:

## **WARNING**

**SERIOUS OR FATAL INJURIES CAN OCCUR FROM FURNITURE TIP-OVER.  
TO HELP PREVENT TIP-OVER:**

- Please read instructions completely before assembling. Assemble on a soft, smooth area. Adult assembly required.
- **Important:**when drilling into walls always check that there are no hidden wires or pipes etc.
- Make sure that the screw and wall plugs used are suitable for supporting your unit. Consult a qualified professional if you are unsure.
- Failure of the product due to the use of incorrect fixing is the responsibility of the installer.
- Always use tip over restraints and/or wall anchors to secure furniture to the wall.
- Place heaviest items in the lowest drawers/bins or shelves.
- Do not set TV's or other heavy objects on the top of this product.
- Never allow children to climb or hang on to the drawers/bins, doors or shelves of furniture.
- Never open more than one drawer at a time or defeat or remove any drawer interlock system.

## **DANGER** CHOKING HAZARD – SMALL PARTS

Please make sure installation parts stay away from children of all ages!

## Cleaning and Maintenance

- Treat surface with care. Surface is resistant to scratches but is not scratch resistant.
- Clean surfaces with a dry or damp soft cloth.
- Do not use abrasive cleaners.
- Hardware may loosen over time. Periodically check that all connections are right.

## Maximum recommended distributed load

This unit has been designed to support the maximum loads shown.

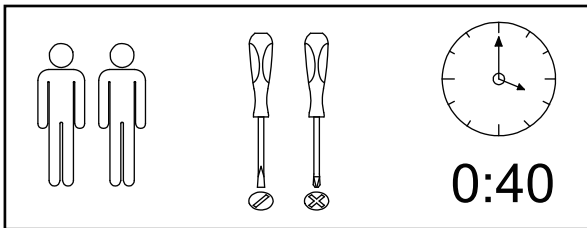
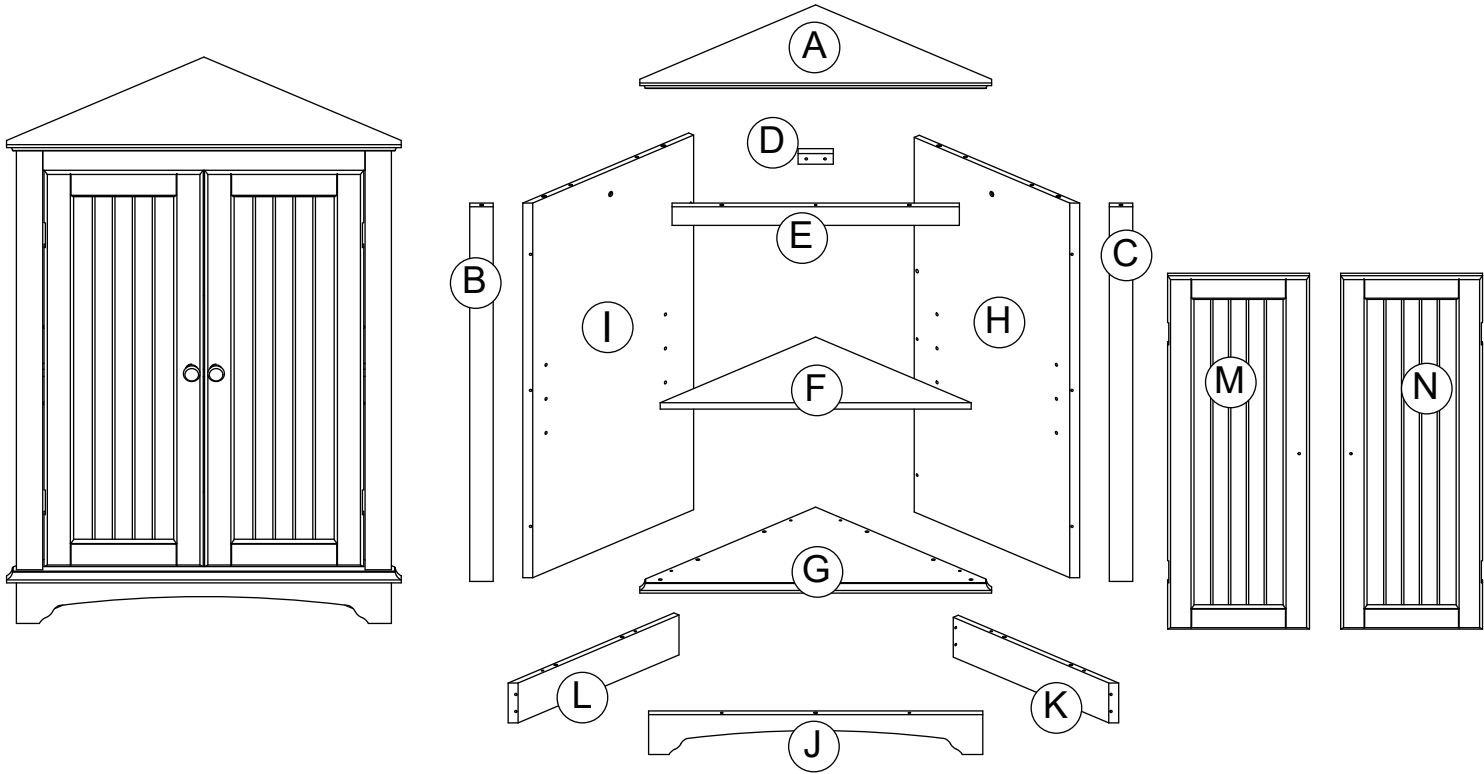
Exceeding these load limits could cause sagging, instability, product collapse, and/or serious injury.

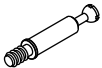

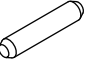
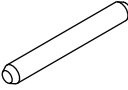

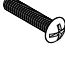



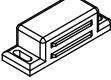







Top:	15 lbs (6.82 kg)
Other shelves:	25 lbs (11.36 kg)

# PARTS LIST

## Contents:

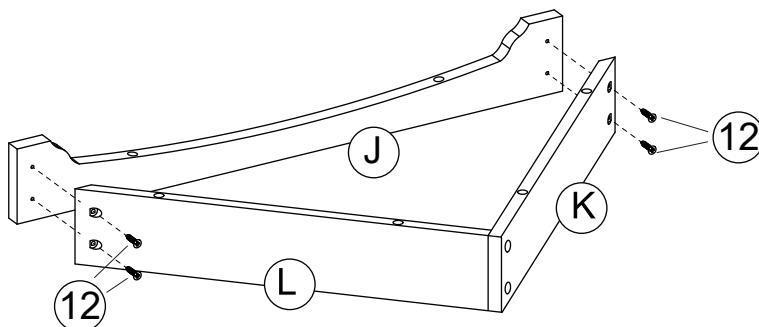
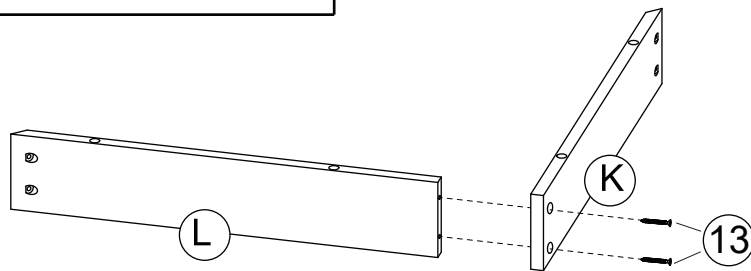
Before getting started, ensure the package contains the following components:



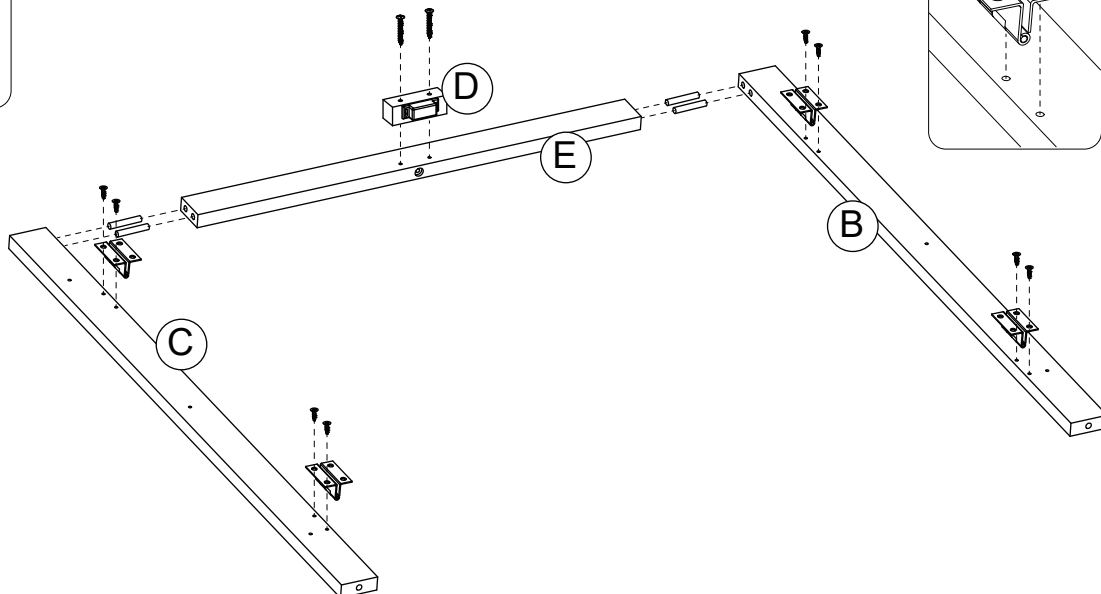
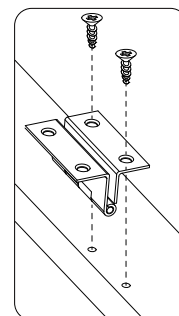
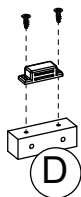
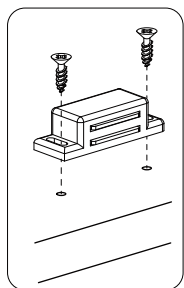
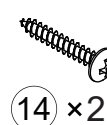
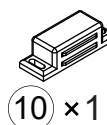
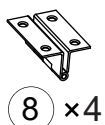
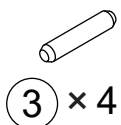
 ① × 4	 ② × 4	 ③ × 17	 ④ × 4	 ⑤ × 2	 Φ4 x18mm ⑥ × 2	 ⑦ × 4
 ⑧ × 4	 Φ3 x12mm ⑨ × 20	 ⑩ × 1	 ⑪ × 2	 Φ4 x20mm ⑫ × 10	 Φ4 x35mm ⑬ × 9	 Φ4 x30mm ⑭ × 2
 Φ4 x45mm ⑮ × 5	 Φ4 x60mm ⑯ × 4	 ⑰ × 2				

# ASSEMBLY INSTRUCTION

## 1

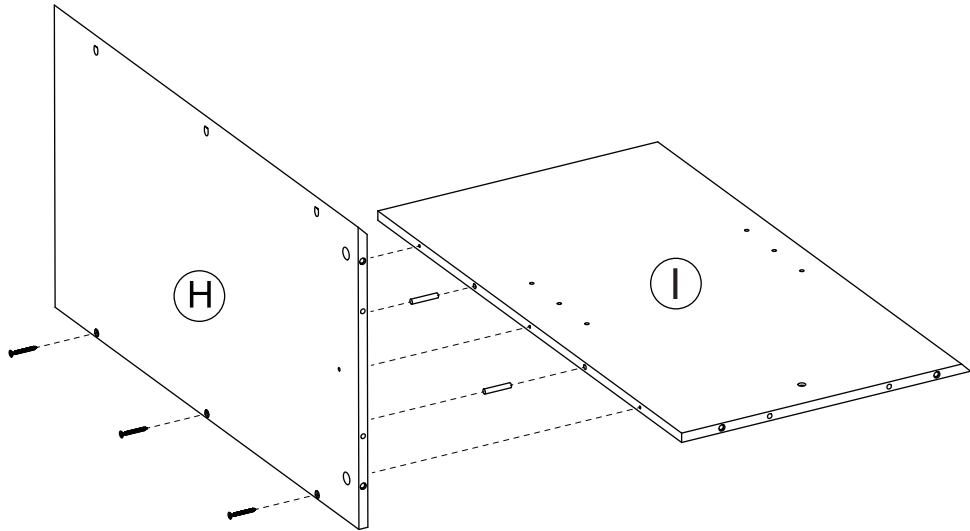
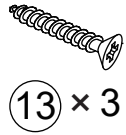
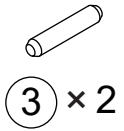


## 2

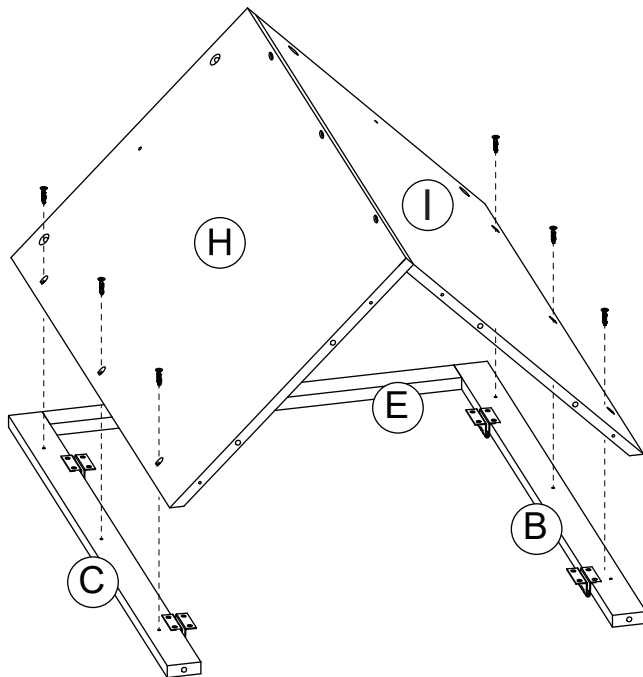


# ASSEMBLY INSTRUCTION

## 3

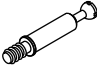





## 4

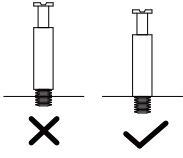


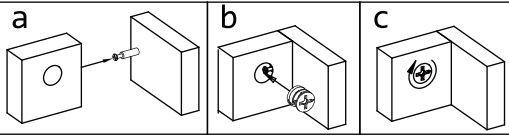
# ASSEMBLY INSTRUCTION

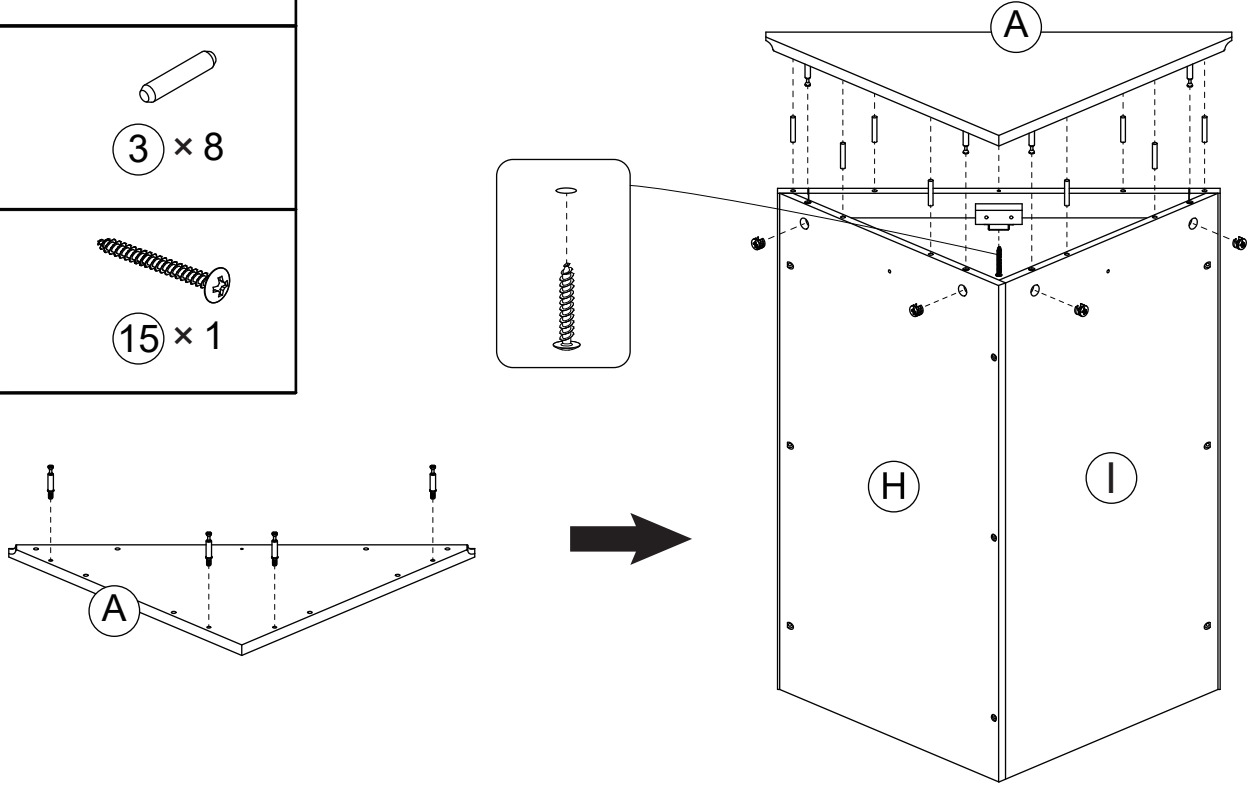
**5**

-  ① × 4
-  ② × 4
-  ③ × 8
-  ⑮ × 1

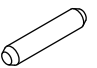
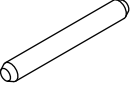

Cam Lock Fastening System

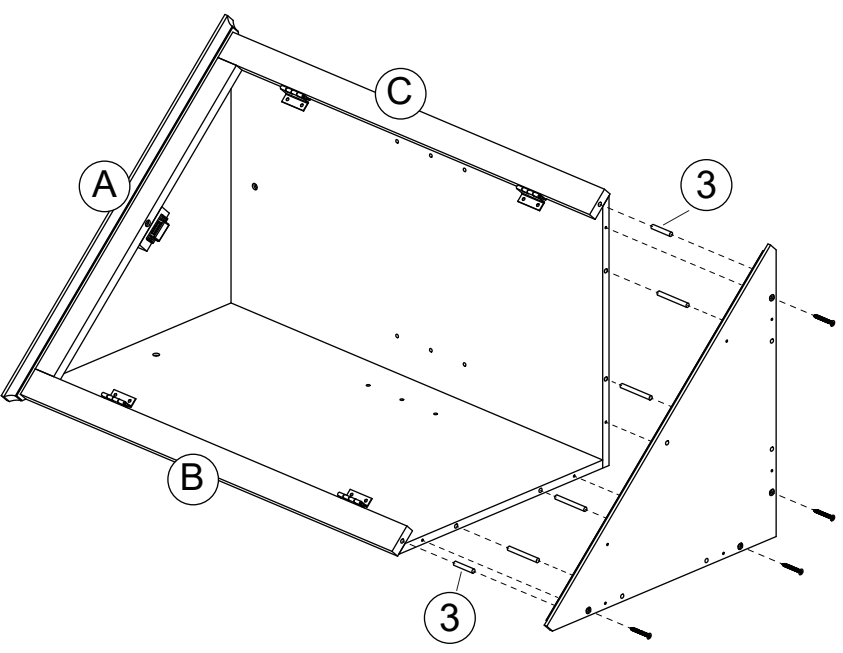






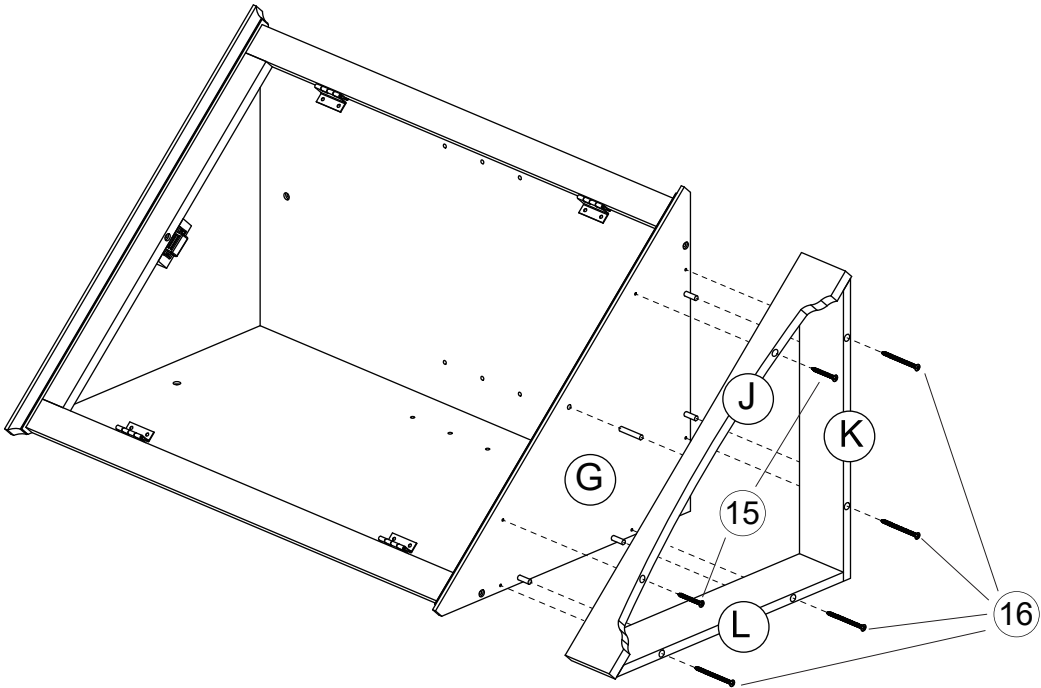
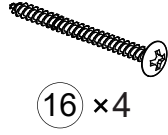
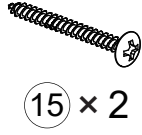
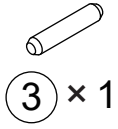
**6**

-  ③ × 2
-  ④ × 4
-  ⑬ × 4

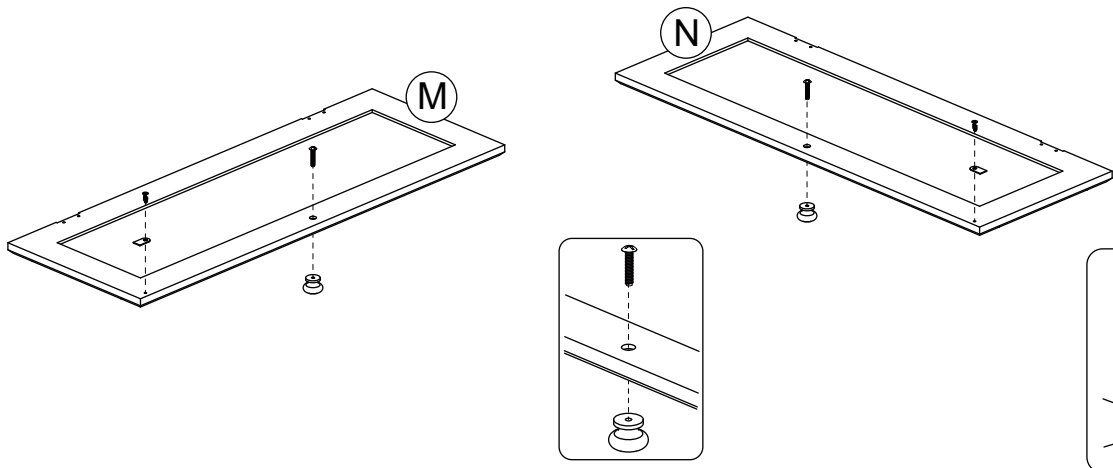
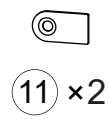
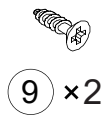
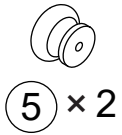


# ASSEMBLY INSTRUCTION

## 7

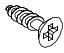


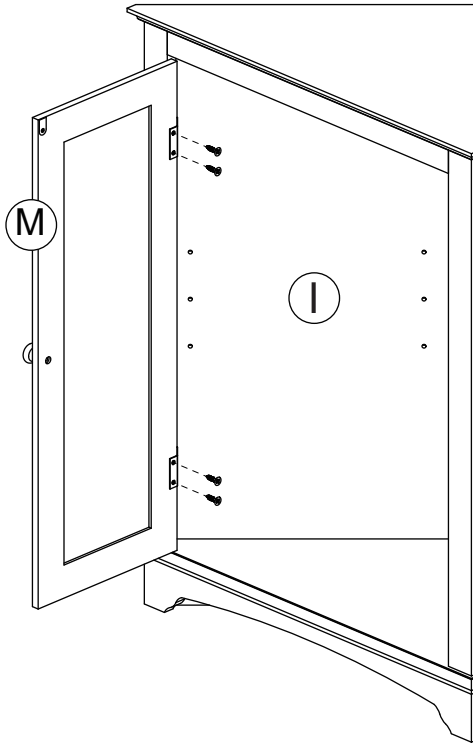
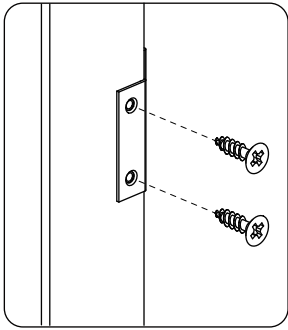
## 8



# ASSEMBLY INSTRUCTION

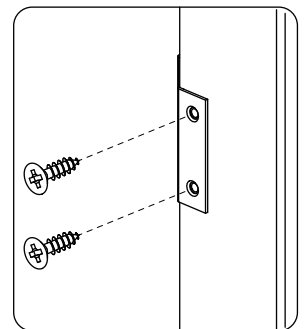
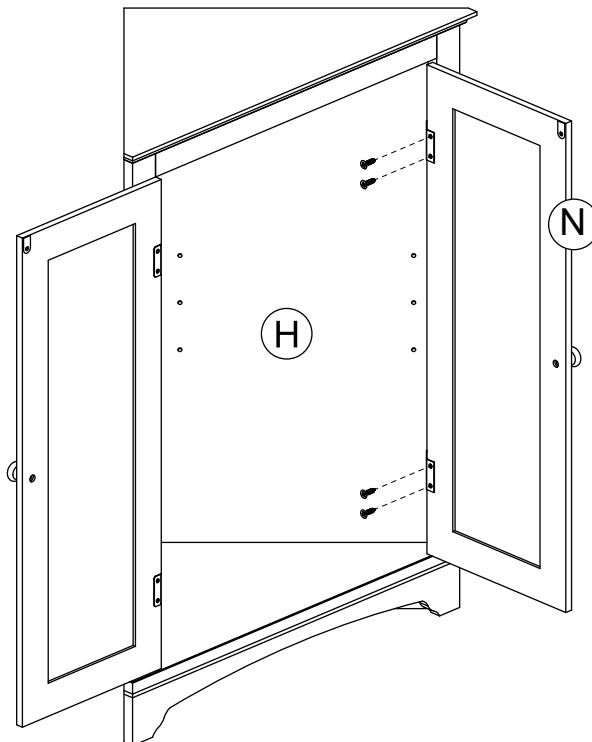
## 9

  
⑨ × 4



## 10

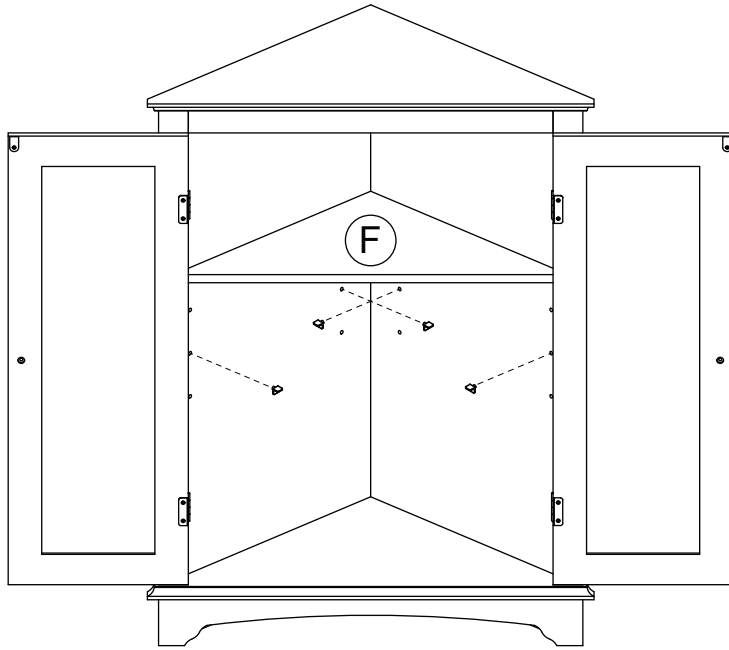
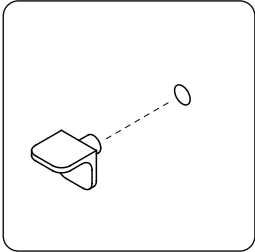
  
⑨ × 4




# ASSEMBLY INSTRUCTION


## 11

  
⑦ × 4



## 12

  
⑮ × 2

  
⑰ × 2

