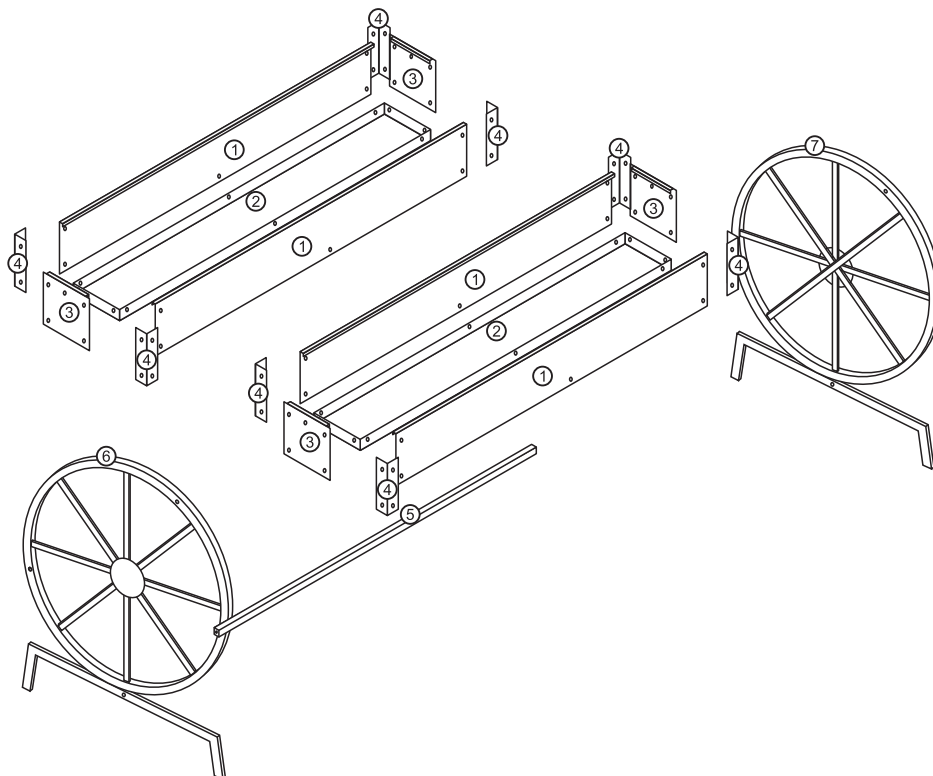
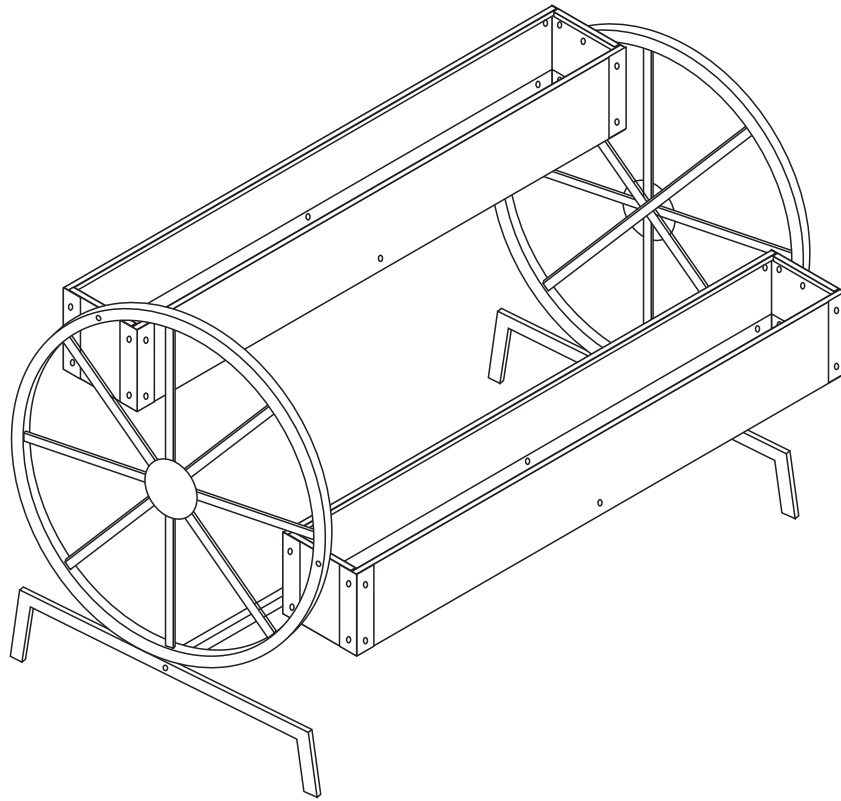
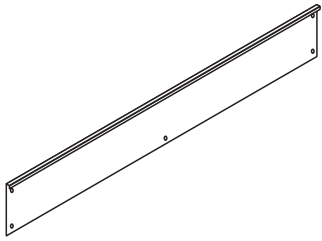
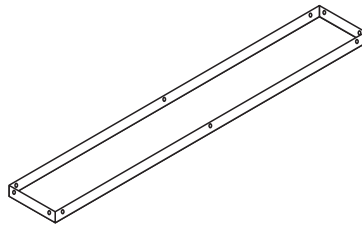


# Installation Manual

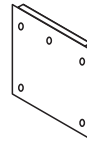




①x4pc



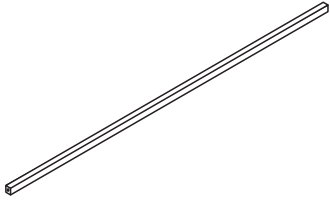
②x2pc



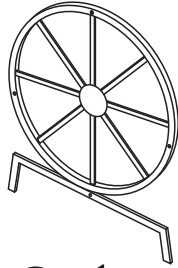
③x4pc



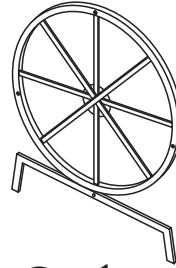
④x8pc



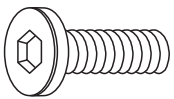
⑤x1pc



⑥x1pc



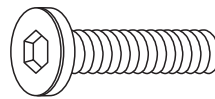
⑦x1pc



Ⓐx36pc



Ⓑx40pc







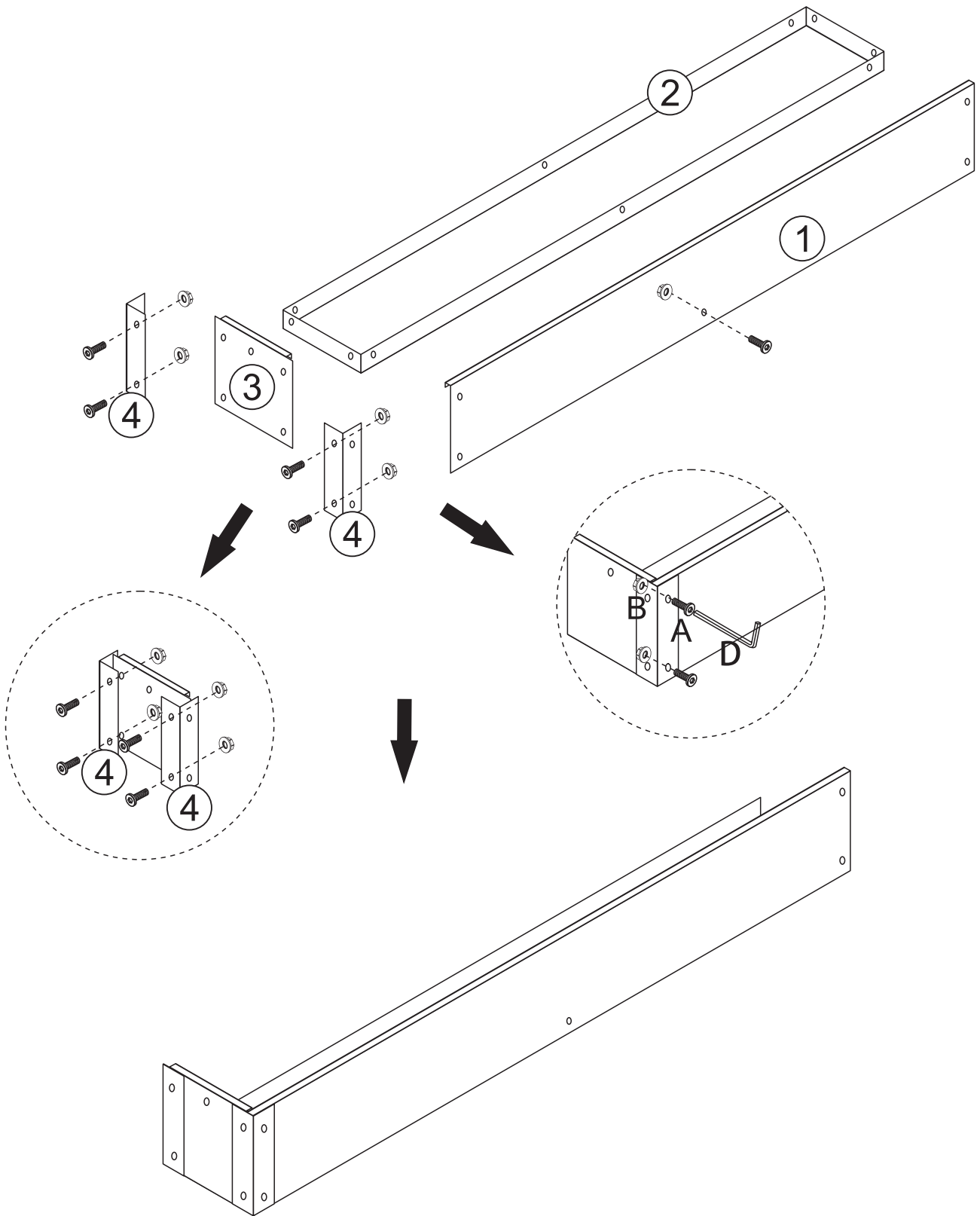
Ⓒx6pc



Ⓓx1pc





# 1

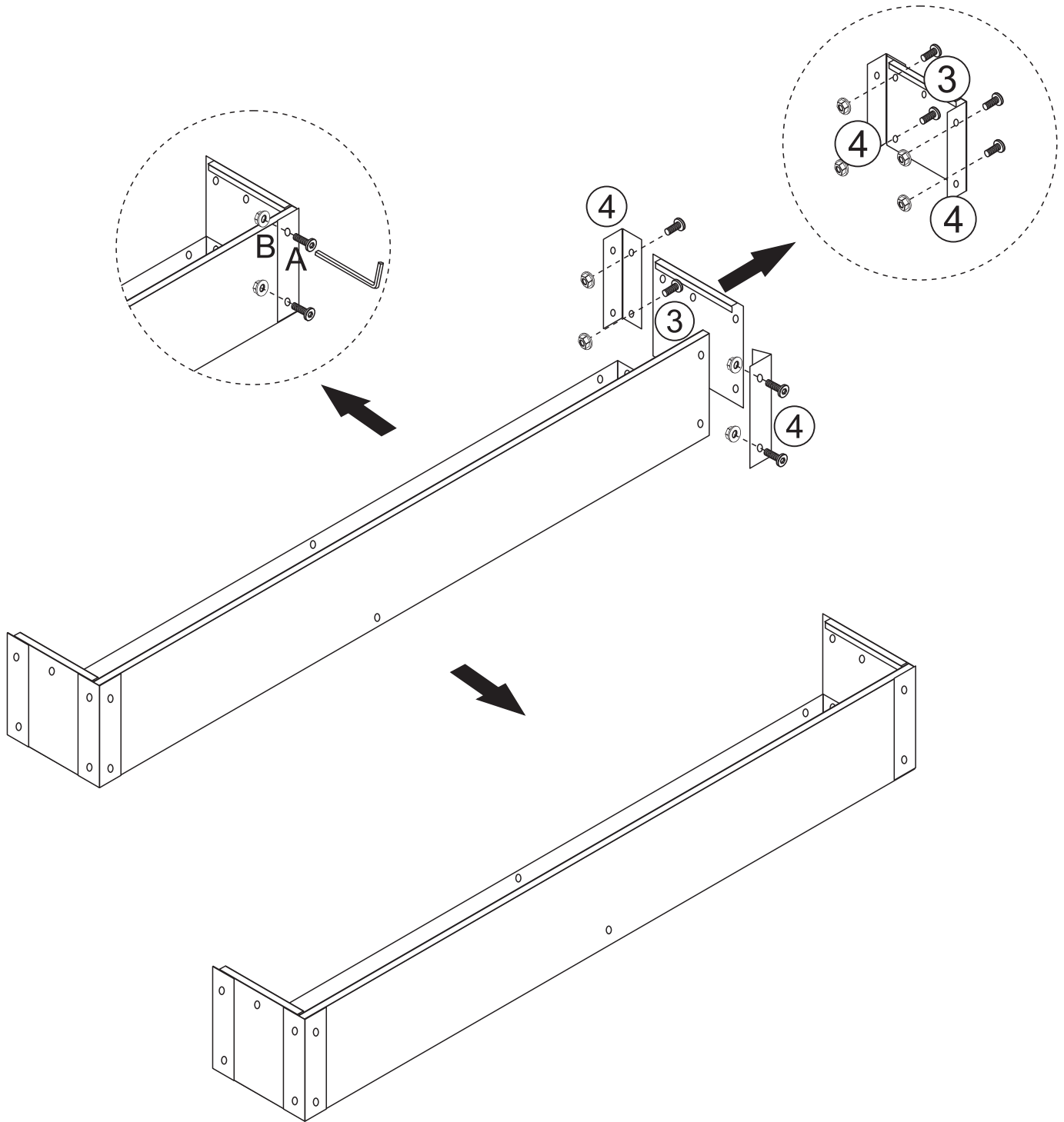
 	 Ⓐ x14pc	 Ⓑ x14pc
--	--	--



# x2





2

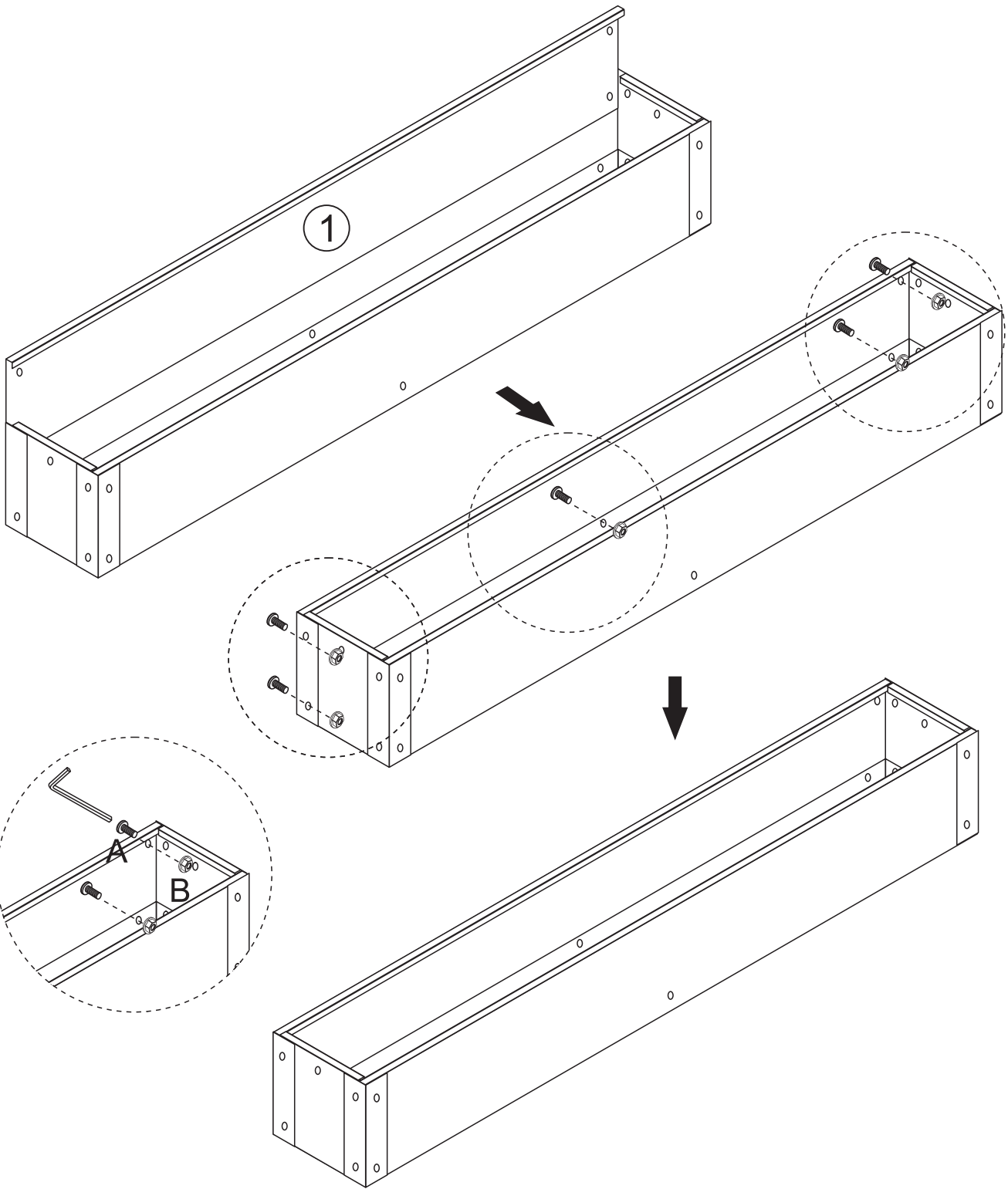
 	 Ⓐ x12pc	 Ⓑ x12pc
---	--	--



x2

3

 	 Ⓐ x10pc	 Ⓑ x10pc
--	--	--

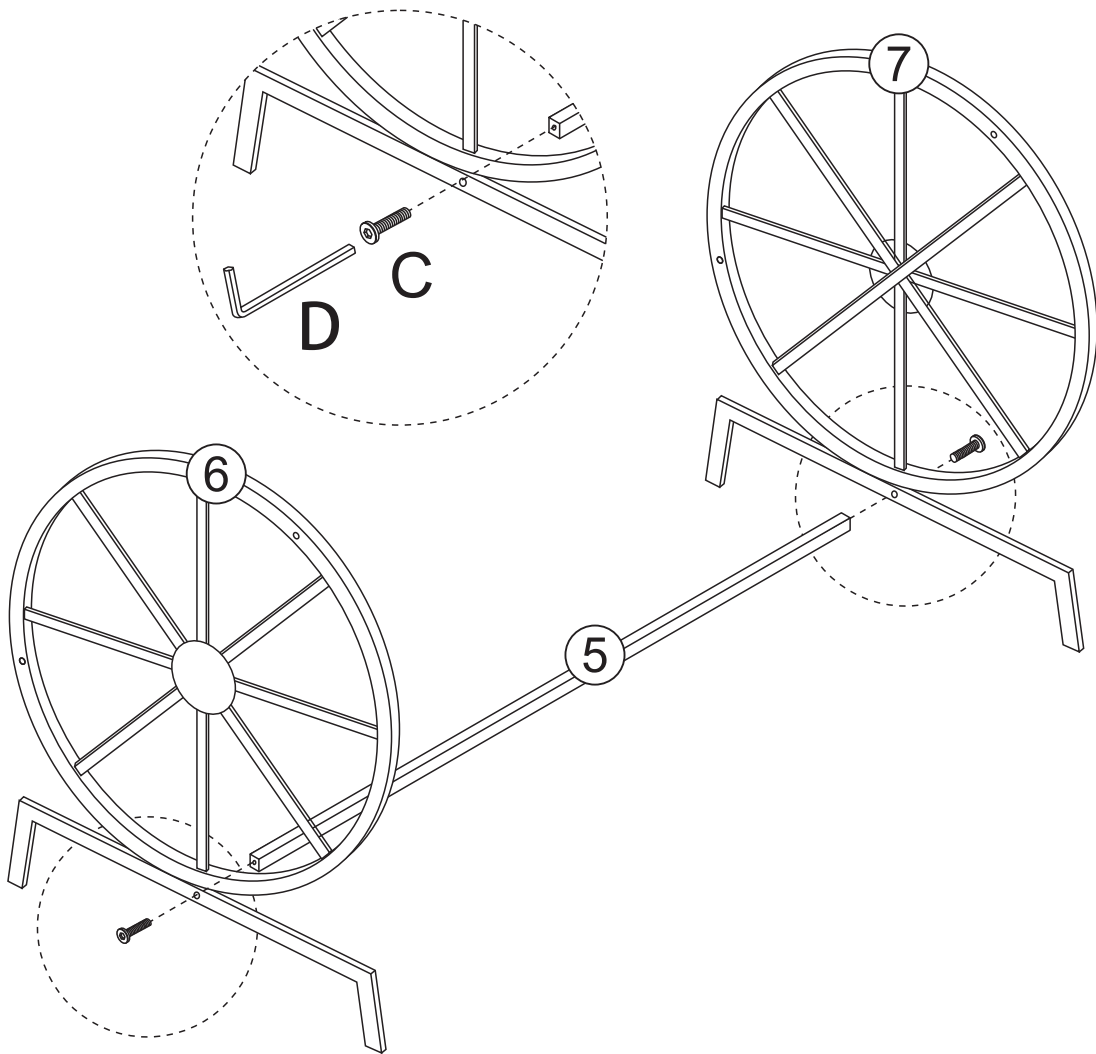


x2

4



©x2pc



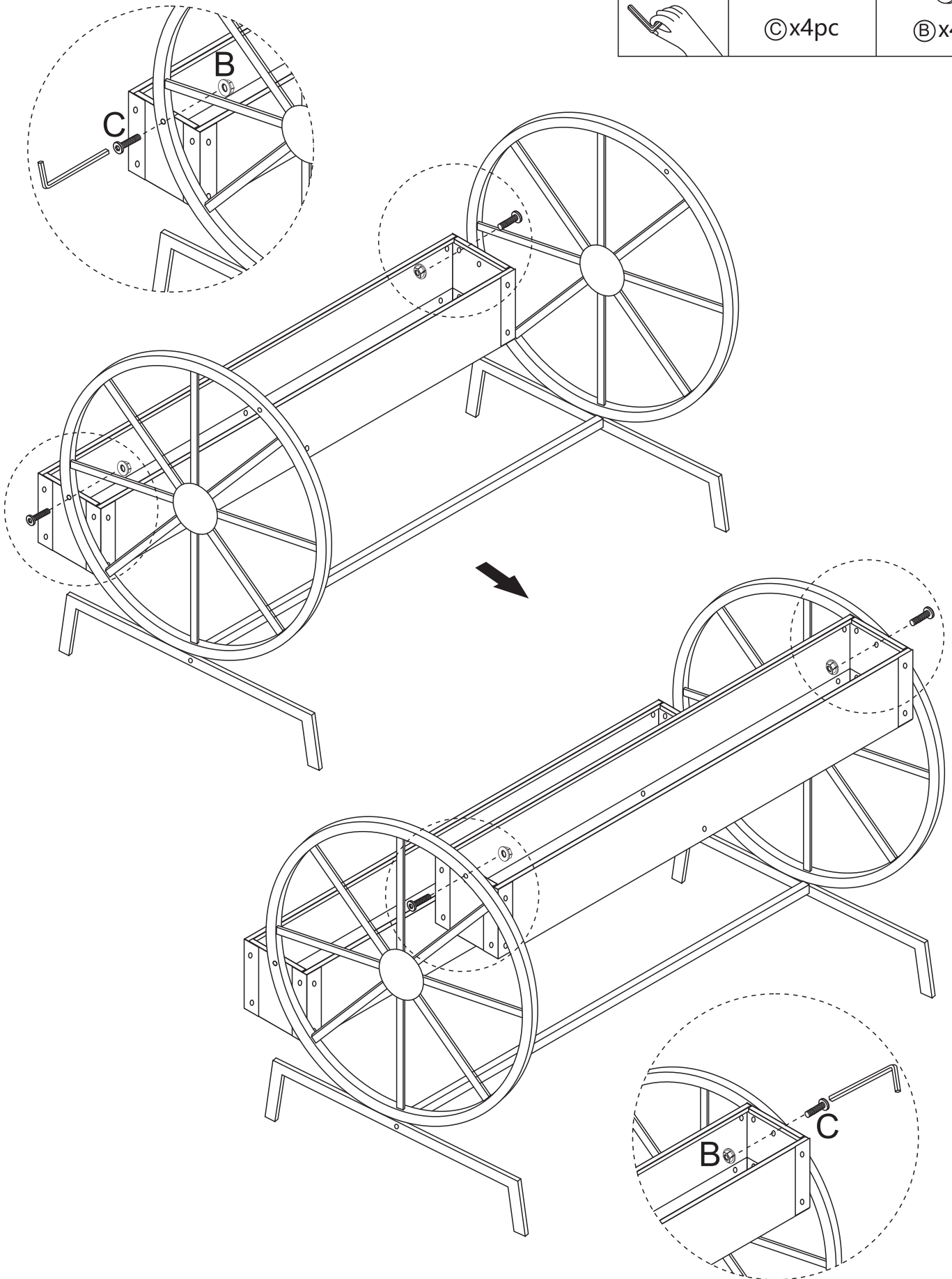
4



Ⓢ x4pc



Ⓝ x4pc





Tighten all screws to 100% after inspection.

