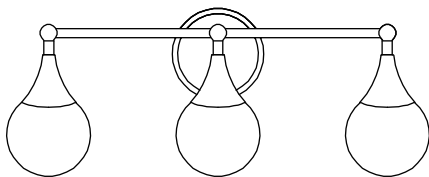


edishinē

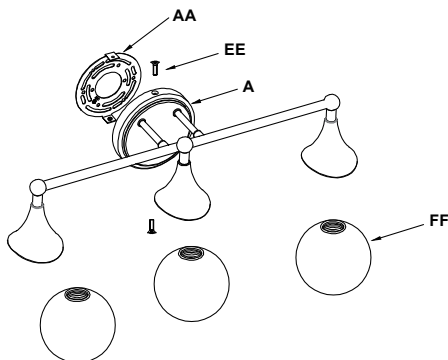
Vanity Light

[Instruction Manual]










Please pay attention to the warning signs
Read the instructions with caution before operating
and keep it properly

Installation Schematic Diagram



INSTALLATION KIT

AA  Mounting Bracket 1×	BB  Outlet Box Screw 2×	CC  Ground Screw 1×
DD  Wire Nut 3×	EE  Flat-head screw 2×	FF  Jade White Glass 3×
GG  Gloves 1×		

NOTE:

1. AA/CC/EE have already been pre-installed together with wall box (A).
2. BB have already been pre-installed with Wire Nut(DD).

Warning:

Risk of fire. Min 75°C supply conductors. Consult a qualified electrician to ensure correct installation. Before installation, please turn off the main power of the circuit breaker to prevent possible electric shock.

Installation Instructions

FIG.1. Turn the wall switch to the "OFF" position.

Depending on which type of fuse box in your home:

FIG.2. Either turn the main (Master) switch to the "OFF" position to cut off the power supply of the entire home, or turn off the individual switch that supplies power to where the fixture will be installed.

OR

FIG.3. Either turn the main (Master) switch to the "OFF" position to cut off the power supply of the entire home, or unscrew the fuse that supplies power to where the fuse will be installed.

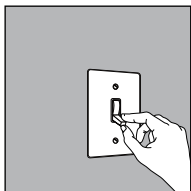


FIG.1 WALL SWITCH

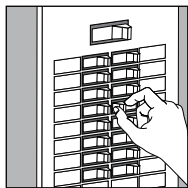


FIG.2 BREAKER PANEL

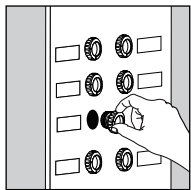
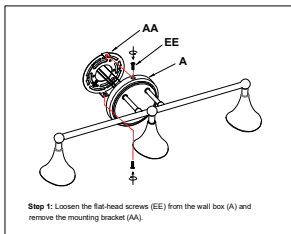


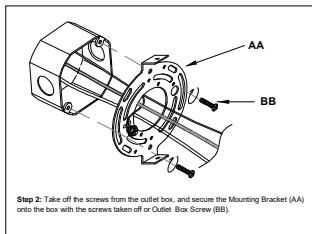
FIG.3 FUSE BOX

Lighting Fixture Installation

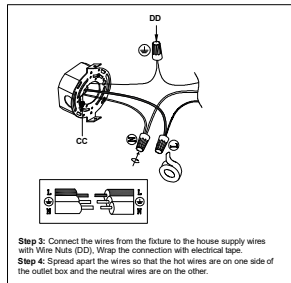
1. Remove the mounting bracket



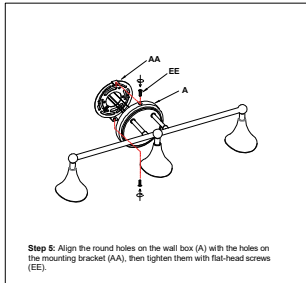
2. Install the fixing bracket



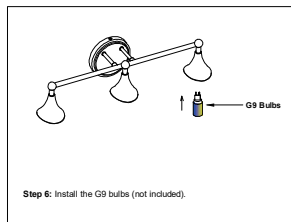
3. Connect the Wires



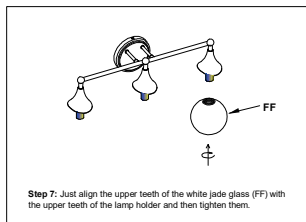
4. Fix the lamp panel



5. Install Bulbs



6. Install Glass



Specifications

- Input Voltage: 120VAC 60Hz
- Max.load Power: Halogen 40W/LED 5W
- Socket Type: G9 (bulb not included)

One Year Limited Warranty

Supported by our professional R&D team and QC team, we provide One Year Warranty for materials and workmanship from the purchase date. Please note that the warranty does not cover damage caused by personal misuse or improper installation.

Please attach your Order ID and Name so that our dedicated customer service team can help you better.



Made in China