

VEVOR[®]

TOUGH TOOLS, HALF PRICE

Technical Support and E-Warranty Certificate www.vevor.com/support

**BASKETBALL HOOP STAND
MODEL:M021A-2**

We continue to be committed to provide you tools with competitive price.

"Save Half", "Half Price" or any other similar expressions used by us only represents an estimate of savings you might benefit from buying certain tools with us compared to the major top brands and dose not necessarily mean to cover all categories of tools offered by us. You are kindly reminded to verify carefully when you are placing an order with us if you are actually saving half in comparison with the top major brands.

VEVOR[®]

TOUGH TOOLS, HALF PRICE

BASKETBALL HOOP STAND

MODEL:M021A-2



NEED HELP? CONTACT US!

Have product questions? Need technical support? Please feel free to contact us:

Technical Support and E-Warranty Certificate
www.vevor.com/support

This is the original instruction, please read all manual instructions carefully before operating. VEVOR reserves a clear interpretation of our user manual. The appearance of the product shall be subject to the product you received. Please forgive us that we won't inform you again if there are any technology or software updates on our product.

INSTRUCTIONS

Thank you very much for choosing this Basketball Hoop Stand. Please read all of the instructions before using it. The information will help you achieve the best possible results.

WARNING:

Please read this manual carefully before using the product. Failure to do so may result in serious injury.

ASSEMBLY PRECAUTIONS

1. Assemble needs to follow these instructions. Incorrect assembly can be a hazard.
2. Wear safety goggles and heavy-duty work gloves during assembly.
3. Do not assemble when tired or under the influence of alcohol, drugs or medication.
4. Weight capacity and other product capabilities only apply to a wholly and correctly assembled product.
5. Keep the assembly area clean and well-lit.
6. Keep bystanders out of the area during assembly.
7. The weight of plate is heavy; pay attention to the installation to avoid hurting it, and if necessary, find someone to assist with the installation.
8. When installing the bracket, it is best to put some water in the base first to avoid the collapse of the backboard.
9. Assembly should be done by adults only.
10. Do not hang from the rim or climb on the pole. Do not climb on the base or structure in general, as this could result in serious injuries.
11. **WARNING:** This product contains small parts. If swallowed, it will pose a choking hazard. Keep these small parts away from children when assembling!

USE PRECAUTIONS



WARNING: TO PREVENT SERIOUS INJURY AND DEATH FROM TIPPING:

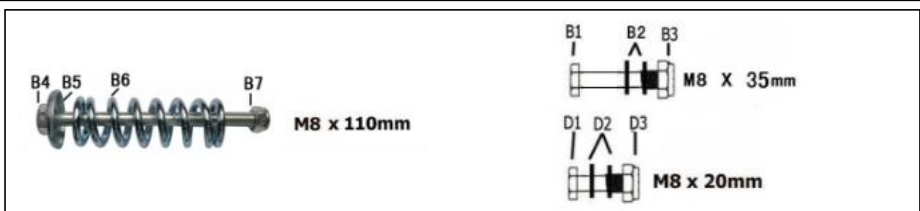
1. Use as intended only. Do not sit or stand on the product.
2. Inspect before every use. Do not use it if parts are loose or damaged.
3. Use on flat, level, and hard surfaces only.
4. If any parts are missing, broken, damaged, or worn, stop using this item until repairs are made and factory replacement parts are installed.
5. Adjustment and moving of the basketball set must be carried out by adults.
6. Always check the unit to ensure the base is full of water or sand, and that all fittings and hardware are tight before each use.
7. Do not allow water to freeze in the base.

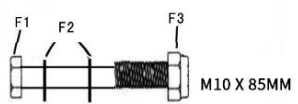
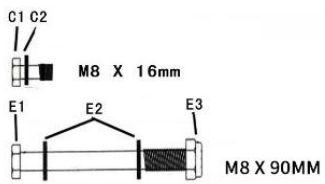
WARNING:

For your safety, please do not dunk or hang from the basketball hoop.

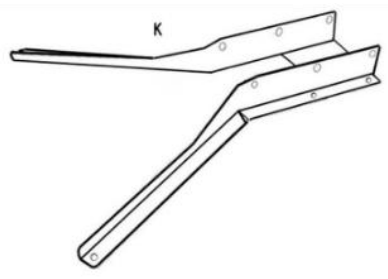
SAVE THESE INSTRUCTIONS

Parts list			
No.	Parts	Qty	Remark
B1,B2,B3	Screw M8x35mm	2	connect board,ring and board bracket
B4,B5,B6, B7	Screw with spring M8x110mm	2	connect board,ring and board bracket
C1,C2	Screw M8x16mm	2	fix the top of the bracket and the board
D1,D2,D3	Screw M8x20mm	2	connect base and pole brace
E1,E2,E3	Screw M8x90mm	1	connect bottom pole and pole brace
F1,F2,F3	Screw M10x85mm	6	connect board bracket and top pole
			connect top pole and middle pole; connect middle pole and bottom pole
G	Wheel	2	
I	Base cap	1	
J	Ring	1	
K	Board Bracket	1	
L	Net	1	
M	Board	1	
U1	Pole Brace-right	1	
U2	Pole Brace-left	1	
O	Wheel Shaft	1	
W	Top Pole	1	
X	Middle Pole	1	
Y	Bottom Pole	1	
S	Base	1	

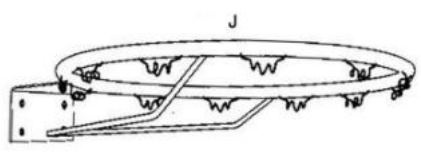




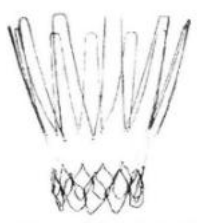
G



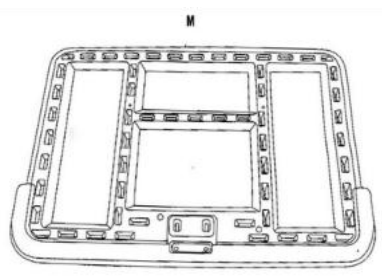
K



J



L



M



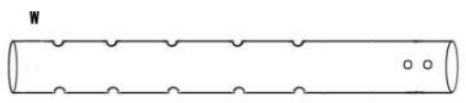
U1



U2



O



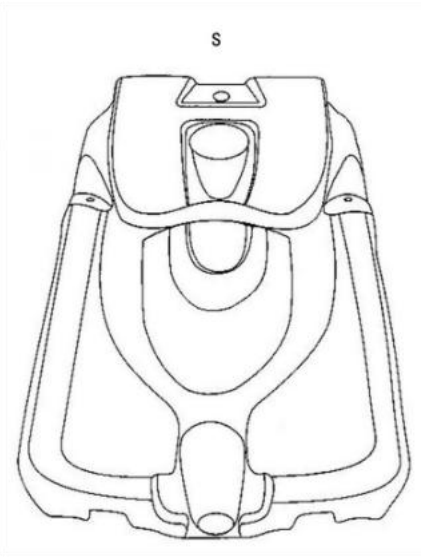
W



X



Y



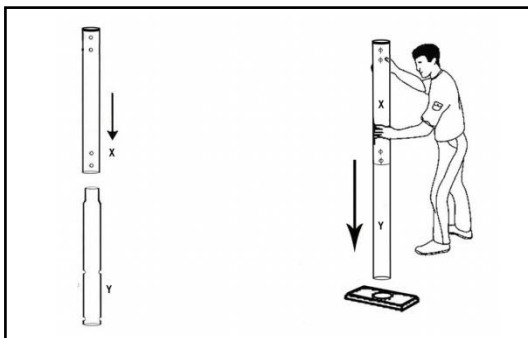
S

Assembly Steps

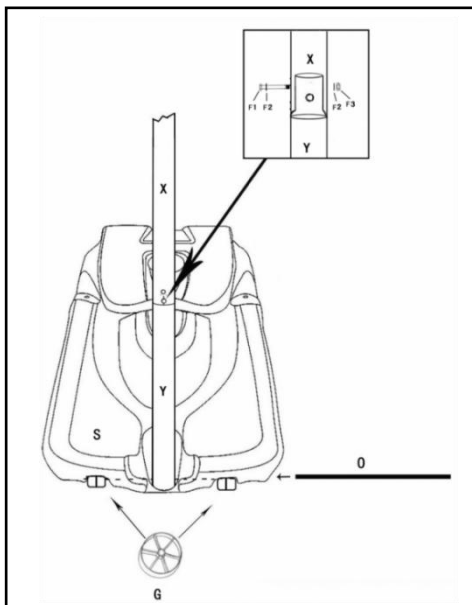
1. Open the carton, find out all the parts listed on page 4, two adults are required for assembly.

2. Insert the top necked part of bottom pole Y into the bottom of the middle pole X;

When there are burrs or deformation at the pole connection, a piece of cardboard or wooden board can be placed at the bottom of the bottom pole to knock the necked part of the pole into place.

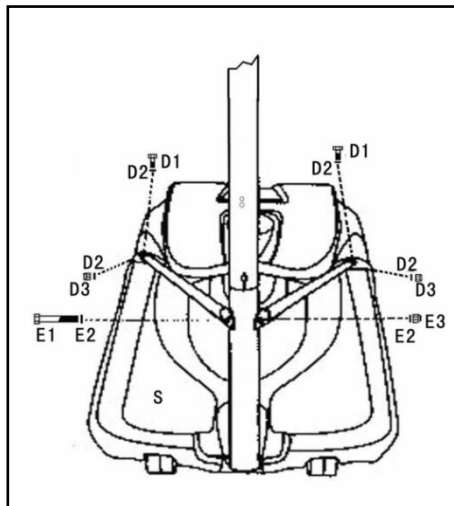


3. Fix middle pole X and bottom pole Y by screw F and tighten it; Insert the wheel shaft O into wheel G, base S and end of bottom pole Y orderly.

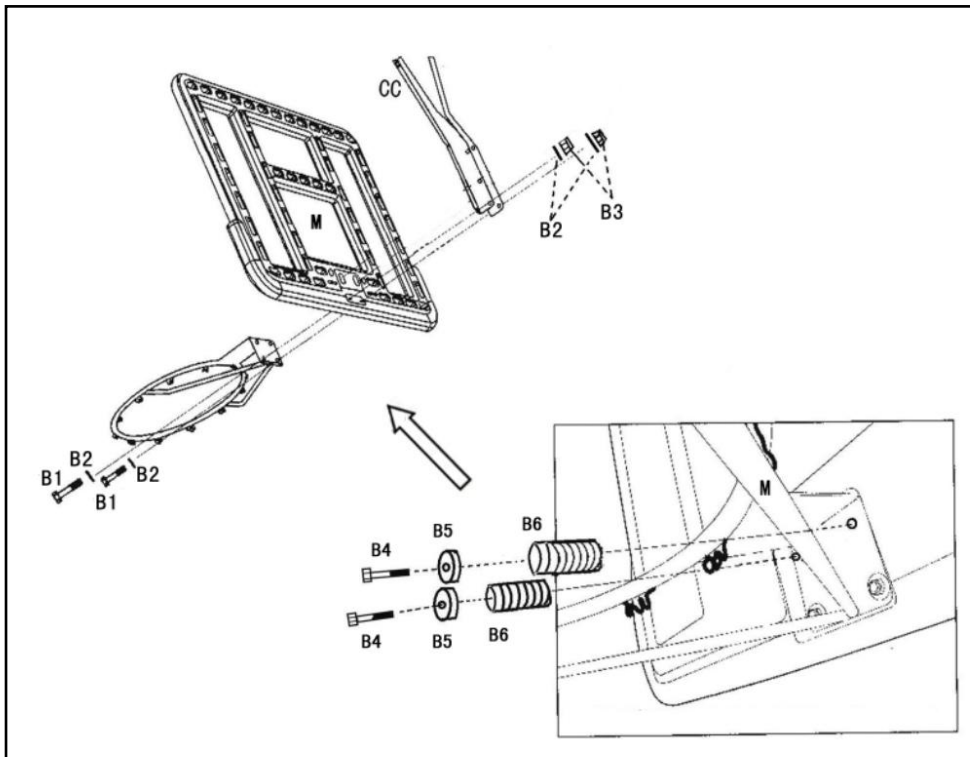


4. Connect pole brace U1 U2 and base S by screw D; connect pole brace U1 U2 and bottom pole Y by screw E.

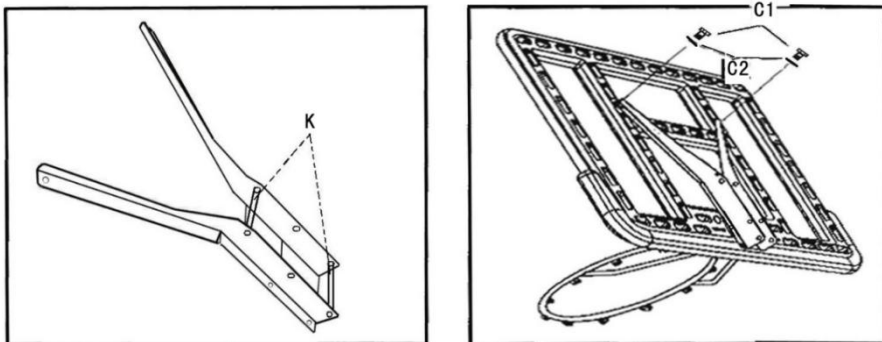
Note the difference between the top and bottom of the pole brace.



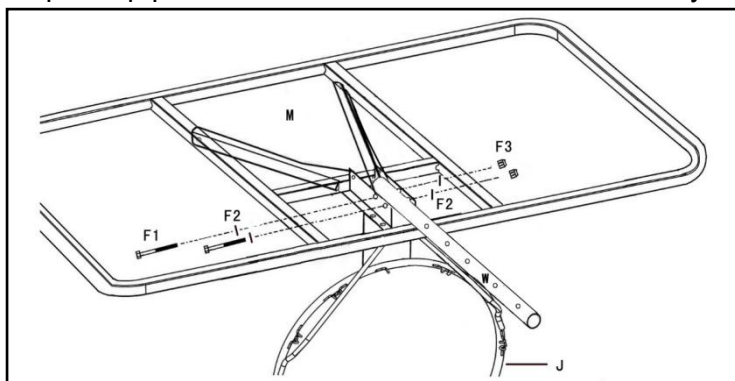
5. Connect ring J, board M and board bracket K by screw B. Note that the screw with spring B4-7 must be connected to the two holes on the top of ring.



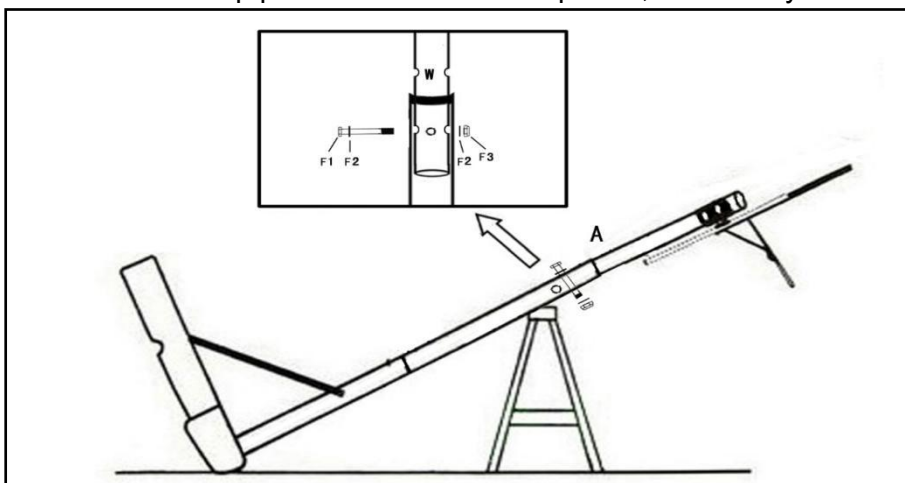
6. Fix the top of board bracket K behind the board M by screw C and tighten it.



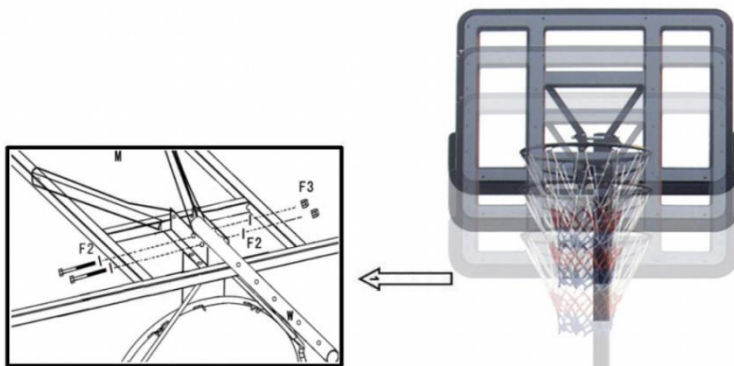
7. Fix the top of top pole W in the middle of board bracket K by screw F.



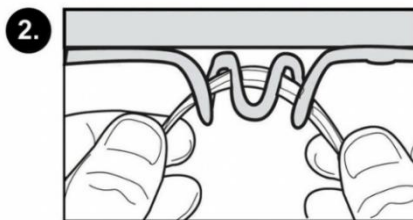
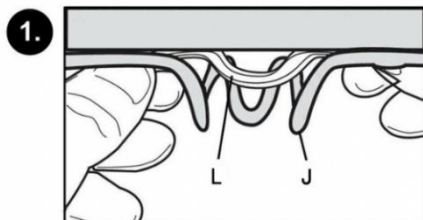
Insert the installed top pole W into the middle pole X, fix them by screw F.



Adjust the product height with screw F.



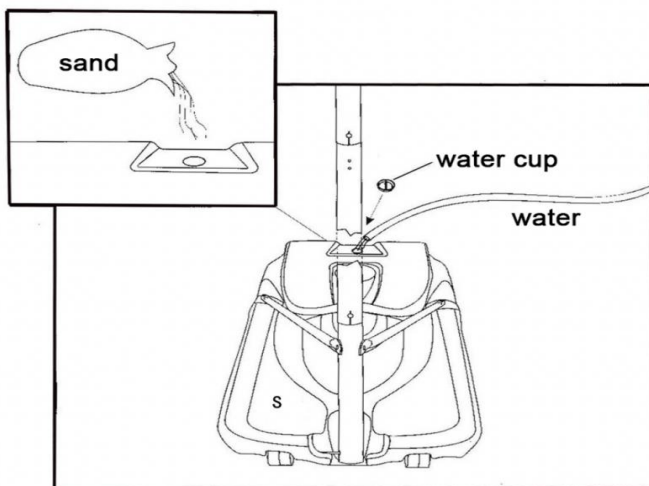
8. Install Nets



9. For safety reason, sand instead of water is recommended to fill up the base during the sub-freezing weather.

Please note that sand will not be poured out once filled in the base.

Attention: Please fill the base completely or place other heavy objects on the base to maintain stability!



Address: Shuangchenglu 803nong11hao1602A-1609shi, baoshanqu
, shanghai 200000 CN.

Imported to AUS: SIHAO PTY LTD, 1 ROKEVA STREET EASTWOOD
NSW 2122 Australia

Imported to USA: Sanven Technology Ltd., Suite 250, 9166 Anaheim
Place, Rancho Cucamonga, CA 91730

UK	REP
-----------	------------

YH CONSULTING LIMITED.
C/O YH Consulting Limited Office 147,
Centurion House, London Road, Staines-
upon-Thames, Surrey, TW18 4AX

EC	REP
-----------	------------

E-CrossStu GmbH.
Mainzer Landstr.69, 60329
Frankfurt am Main.

VEVOR[®]

TOUGH TOOLS, HALF PRICE

Technical Support and E-Warranty Certificate

www.vevor.com/support

Made In China