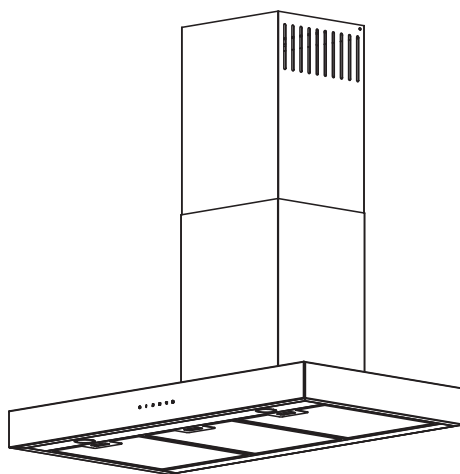
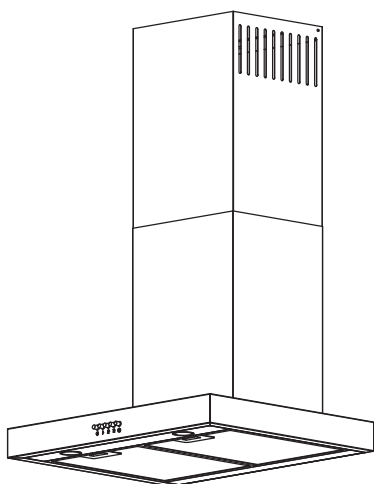


Ferre

T-TYPE HOOD

[EN] SAFETY, INSTALLATION and OPERATING MANUAL



CE

IMPORTANT SAFETY INSTRUCTIONS
PLEASE READ CAREFULLY AND KEEP IT FOR FUTURE REFERENCE

Please first read this manual!

Dear Customer,

Please read this manual thoroughly prior to using the product and keep it for reference purpose. If you transfer the product to another person, give the manual as well.




The manufacturer will not accept any responsibility for any damage or fire caused by possible problems arising from failure to comply with the instructions given in this manual.

Please contact with the authorized service centre for all questions.

Operating manual help you use the product correctly and safely.

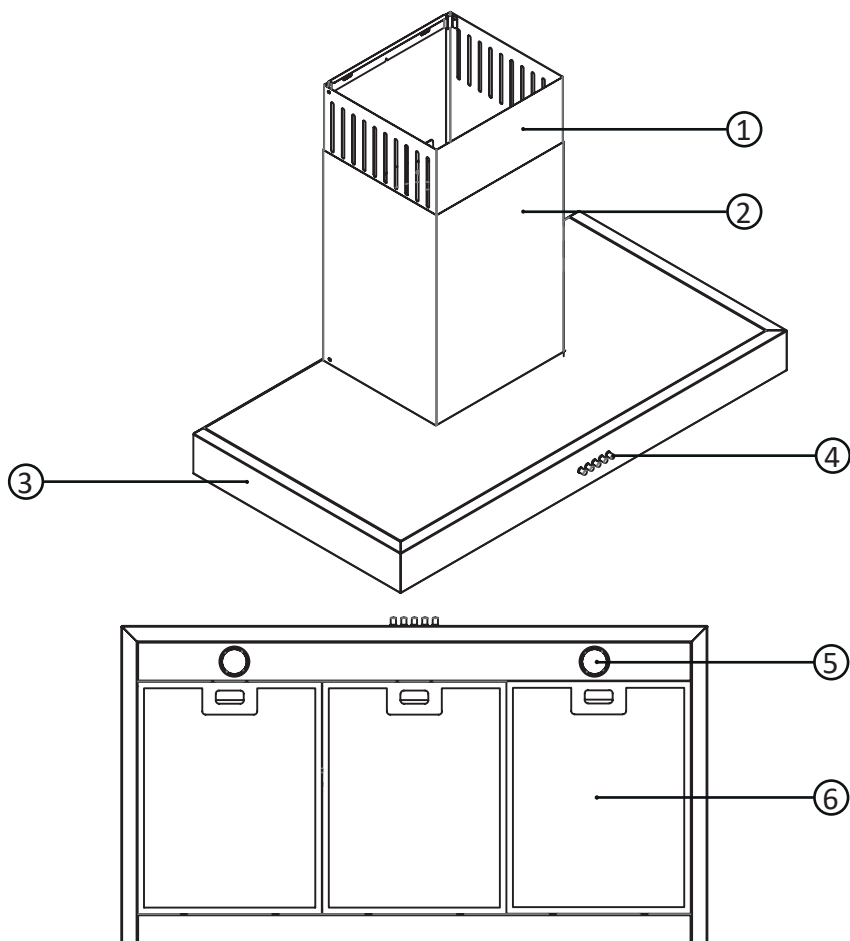
- Read the operating manual prior to setting up and operating the product.
- Comply with the safety-related instructions definitely.
- Please keep the operating manual in a handy place for any possible need.
- Read other documents given together with the product as well.

Please remember that the present operating manual may also apply for other versions. There may be differences among the versions due to different manufacturers, but the cleaning and maintenance conditions are same.

Symbol	Meaning
	WARNING - BEWARE
	ELECTRIC SHOCK HAZARD
	FIRE HAZARD

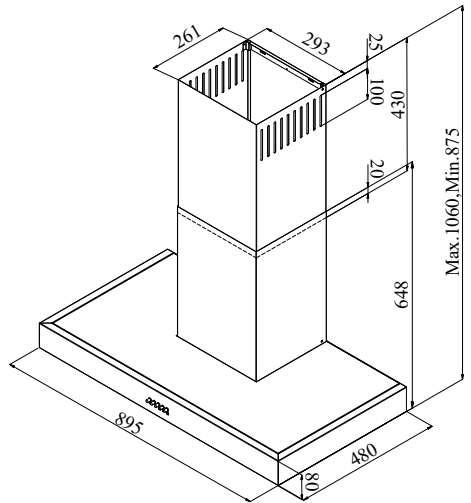
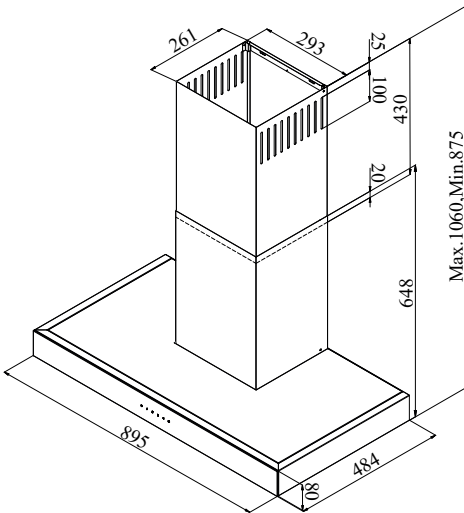
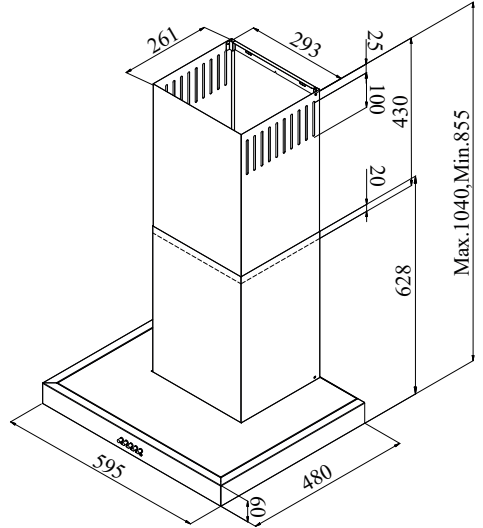
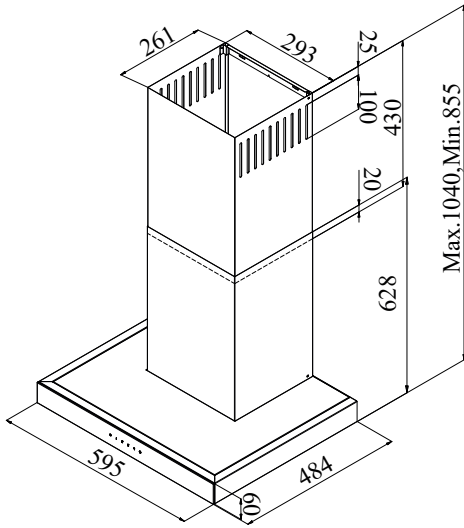
TECHNICAL SPECIFICATIONS OF THE HOOD	4
WARNINGS AND SAFETY MEASURES	7
INSTALLATION AND ACCESSORIES	12
OPERATION AND USE OF THE HOOD.....	17
CLEANING AND MAINTENANCE	20
SERVICE, SPARE PARTS, WARRANTY	22
NOTES.....	25

TECHNICAL SPECIFICATIONS OF THE HOOD



(Figure 1)

1. Height-Adjustable Internal Chimney
2. Fixed External Chimney
3. Hood Body / Panel
4. Control Panel
5. Lighting
6. Filters



(Figure 2)

TECHNICAL SPECIFICATIONS

Product Code	D010.60.xxx.xx.Z004 D010.60.xxx.xx.Z005 D011.90.xxx.xx.Z004 D011.90.xxx.xx.Z005	D010.60.xxx.xx.Z009 D010.60.xxx.xx.Z010 D011.90.xxx.xx.Z009 D011.90.xxx.xx.Z010	D010.60.xxx.xx.Z015 D010.60.xxx.xx.Z016 D011.90.xxx.xx.Z015 D011.90.xxx.xx.Z016
Voltage & Frequency	220-240Vac 50-60Hz	220-240Vac 50-60Hz	220-240Vac 50-60Hz
Total product power	Min. 2W- Max. 117W	Min. 2W- Max. 222W	Min. 2W- Max. 242W
Motor power	115W	220W	240W
Lamp power	2 x 1W	2 x 1W	2 x 1W
Control Panel	3- Speed/ Push Button 3-Speed/ Touch Button	3- Speed/ Push Button 4 -Speed/ Touch Button	3- Speed/ Push Button 4 -Speed/ Touch Button
Air outlet connection diameter	150mm	150mm	150mm
Product width	595-895mm	595-895mm	595-895mm
Product depth	480-484mm	480-484mm	480-484mm
Product height	875mm - 1060mm	875mm - 1060mm	875mm - 1060mm

WARNINGS AND SAFETY MEASURES



This product is designed for domestic use as a version to exhaust or filter the air. It is not designed for operating outdoors.



This product may be used for children above 8 years old and by persons with restricted physical, perceptual or mental skills only if they are kept under supervision or given instructions for safety use of the product and they are well aware of the product-related risks. Children should not play with the product. If they are not above 8 years old and under supervision, cleaning and maintenance of the product should not be performed by the children. Keep the product and its cable in a place out of reach of the small children under 8 years old.



When the electric range hood is simultaneously used with other equipment using gas or other fuels, the room should be ventilated well (It may not be applicable for equipment which only recirculate the air in the room).



Keep the packaging materials in places out of reach of the children or destroy them. Access to the packaging materials by the children may lead to dangerous consequences.



Unless there is no supervision and management with respect to use of the product by a person responsible for safety of the product, this product is not intended to be used by persons (including children) who are restricted physical, sensual and mental skills or lack of experience and knowledge.



Assure that the plug is easily accessible in order to switch it off in case of any risk.



Electric products are dangerous for children. When the equipment operates, keep children away from the electric equipment. Do not allow children to play with the equipment.



Mains values should match with those given in the nameplate of the hood. Lift the glass cover and remove the filter in order to have access to the nameplate.



Use “Maximum 6A” fuse in the power installation to which the hood is connected both for your own safety and product safety.



During installation, power cable should not be subject to compression or crush. If the power cable is damaged, it should be replaced by an authorized service centre or a qualified electrician. It also applies to any possible damage of the power cable in future.



Product should be connected to the mains only by an authorized and qualified electrician. Product warranty starts only after correct installation of it.



Do not plug the product before you fix it on the wall.



Grounded plug is installed to the power cable of your product. This cable should definitely be insert into a grounded socket.



Disconnect power connection of the product prior to cleaning and maintenance. (Remove the plug of the product from the socket for disconnection.)



Failure to fix the screws or fastening elements according to the instructions may lead to electric risks.



When installation of the product is completed, leave a distance of 60 cm between the product and electric ranges or minimum 65 cm between the product and ranges using gas or other fuels. If larger distance is specified in the installation instructions of the gas-fueled ranges, you should stick to them.



When the hood is used together with the cooking equipment, the accessible parts may be heated.



Flammable food should not be cooked under the hood.



Bare flame is very harmful for the hood and may lead to fire risk; it should, therefore, be avoided.



In case of flaming, disconnect power of the hood and cooking equipment (Disconnect the power by removing the plug of the product from the socket).



Operate the hood after you put pot, frying pan or cooking containers on the range. Otherwise, high heat may cause deformation of your product.



Switch the range off before you take the cooking containers such as pot or frying pan from the range.



Do not leave the cooking containers such as pot or frying pan on the range when they contain hot oil. Cooking containers with hot oil in them may cause to self-ignition. Especially be careful when you fry. Watch the curtains and cloth covers due to easily flammable character of the oil.



Oils accumulating on the filters, which are not cleaned and/or replaced timely cause fire risk.



If the cleaning is not performed periodically and by proper methods, your product may have fire risk. You should clean inside and outside of the hood by giving due heed to the maintenance instructions (minimum once in a month).



Do not use any filtering materials not resistant to heat and flame instead of the existing filter on the product. Do not operate your product without filter.



Power cable should not run near the ranges because it may melt and cause fire as it would expose to high temperature.



If you operate lamps of the product for a long time, do not touch the lamps. Lamps may burn your hand as they are still hot.



Unless it is specially specified, never use the hood as a supporting surface. Do not place any weight on it.



Use the screw supplied with the product for installation or if they are not supplied then purchase proper type of screws. For installation, use screws with correct diameter and height as specified in the manual.



Regulations related to exhaust of the outlet air should be observed.



Air should never be exhausted into the flue which is intended for exhaust of the smokes emitted from the equipment using gas or other fuels to outside (It may not be applied for the equipment which only recirculates the air in the room). Flue of the hood should be only for the hood. It should not be used with equipment in common.



Exit of the hood should not be connected to the air ducts where flues of other types of equipment are located.



When you connect the hood to the flue, use pipe in diameter of 120-150mm. For good performance, the pipe connection should be as short as possible, smooth and with minimum bends.



Discharge pipe is not supplied with the product. It should be purchased separately. Diameter of the discharge pipe should be equal to the diameter of the connection ring.




As the hood expels the air in the room to the outside, other equipment operating with air may be affected. For this reason, when the hood operates, allow entry of fresh air into the house.



In case of use of activated carbon filter without flue connection, never wash the activated carbon filters. Depending on frequency of use of this filter, you are recommended to replace it in 2-4 months in average. When you desire to replace it, please contact with the authorized service centre.

This equipment is market as per the European Directive 2012/19/EC on Waste Electric and Electronic. If you ensure proper disposal of this product, you will prevent adverse effects that may arise due to improper treatment of the product for human health.



The symbol  used on the product itself or on the documents given together with the product refers to the fact that this equipment should not be considered as domestic waste. The equipment should be delivered to the gathering site of recyclable products where this type of electric and electronic equipment is disposed. Disposal of waste should be performed in accordance with the current local environmental regulations with respect to disposal.

For detailed information about recycling conditions of this product, consult to the related department of the local municipality, waste treatment service or dealer of the product.

INSTALLATION AND ACCESSORIES

Prior to Unpacking the Product:

Make sure that the electric installation is proper. If you are not certain, call a qualified electrician and cause the required arrangements are performed by him.

Preparation of the installation site as well as the electric installation is for responsibility of the customer.

For installation of the product, the rules related to power as specified by the local standards should be observed.

Control whether the product has any damage prior to installation of it. If the product is defective, do not install it. Otherwise the defective product may pose risk for safety.



The room should be ventilated well for safe operation of the product.

If there is no window for ventilation of the room, you should provide an extra ventilation (vent on the window pane, etc.). If there is vent in your kitchen, never block it. Inspect condition of other materials inside the hood (e.g. installation accessories, operating manual) in the carton box and remove and keep them in a separate place. Never keep them in the hood.

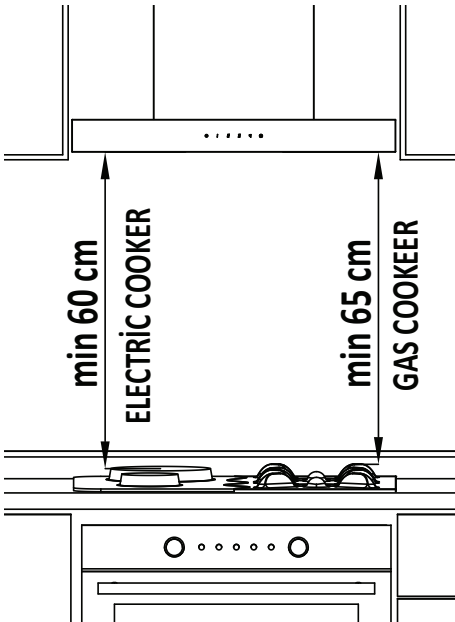
Do not install the product on such surfaces as tile, gloss or silicon. Fix it on the wall only.



Do not allow the children to play with the packaging materials!

INSTALLATION OF THE HOOD

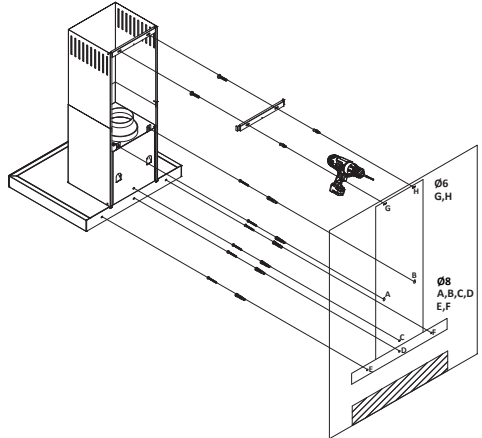
To assemble the product, please follow the steps below in the given order.



(Figure 3)

Device location:

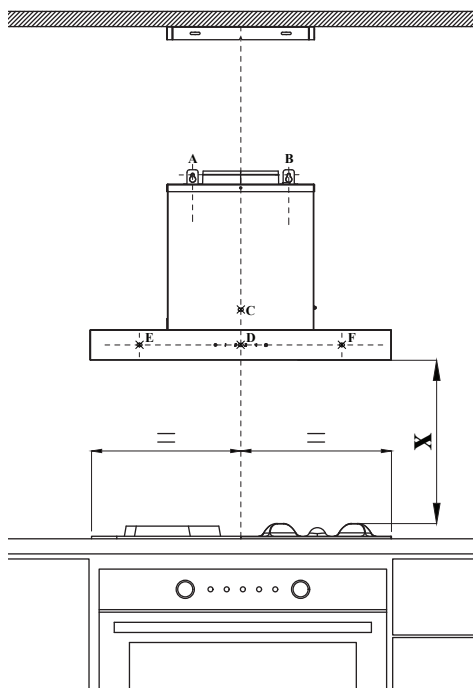
When the installation of the hood is completed, a distance of 60 cm should be left between the product and electric cookers and 65 cm between gas or other fuel cookers. (Figure 3)



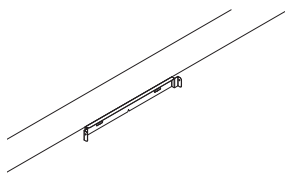
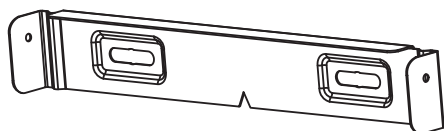
(Figure 4)

1) Drill holes A and B in the wall with a $\varnothing 8$ mm drill and drive $\varnothing 8$ mm plastic dowels into these holes using the mounting template found next to the mounting equipment in the product box. (Figure 4)

2) Tighten 2 of the 4.8x50 YSB screws to the dowels at points A and B. Make sure that there is a distance of 5 mm between the screw head and the wall surface (Figure 4).



Internal flue connection plate



8) Drill holes (G,H) in the wall with a $\varnothing 6$ mm drill for the inner chimney connection sheet, taking into account the height of the installation location. Drive $\varnothing 6$ mm plastic dowels into these holes.

9) Fix the inner flue connection sheet to the $\varnothing 6$ mm dowels at points G and H, which you have nailed to the wall, with 3.9x22 RYSB.

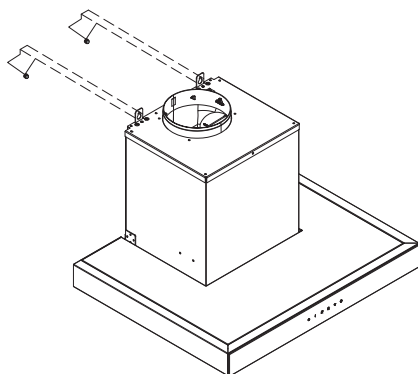
3) Hang the hood on the screws attached to holes A and B at a distance of 5 mm from the wall. hang it by passing it through the holes. Level the hood with the help of a spirit level in the hood hanging position (Figure 5).

4) In the suspended position (C,D,E,F) Make markings on the wall through the holes.

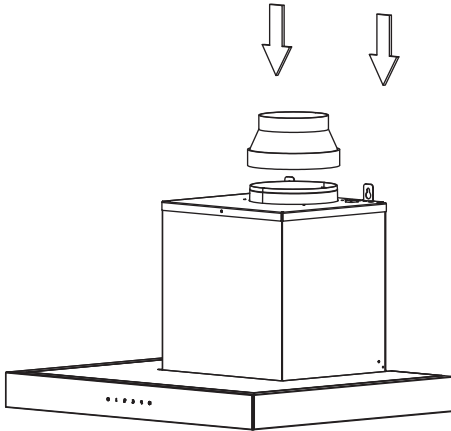
5) Remove the hood from the hanger. Drill the marked points (C,D,E,F) with a $\varnothing 8$ drill and drive $\varnothing 8$ plastic dowels.

6) Hang the hood again from the hanging holes on the screws that you have installed in holes A and B with a distance of 5 mm from the wall.

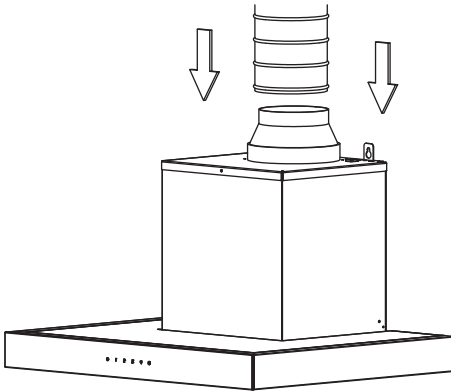
7) Then fix the product by tightening the other 4,8x50 YSB screws to the plastic dowels through holes (C,D,E,F).



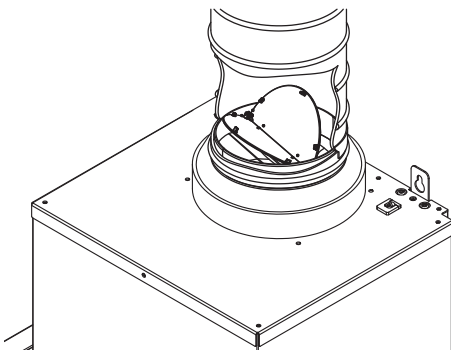
(Figure 5)



(Figure 6)



(Figure 7)



(Figure 8)

10) Connect the hood to the aluminum pipe. After passing the flexible aluminum pipe over the plastic chimney, secure it with a plastic cable holder or clamp without tightening it too much. Insert the other end of the pipe into the chimney hole in the wall.

(Figure 6-7)

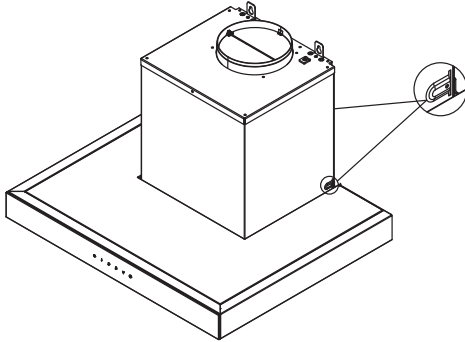
The plastic flaps on the product air outlet must be checked before making the pipe connection of your hood. Before making the pipe connection, start your hood and check that the blades move upwards and allow air to escape. Otherwise, change the direction of the blades.

(Figure 8)

Over-tightening the plastic cable holder or clamp you use when connecting the pipe may prevent the blades from working. For this reason, before connecting the connected pipe to the chimney of your house, check whether the inlets are working properly by running your hood.

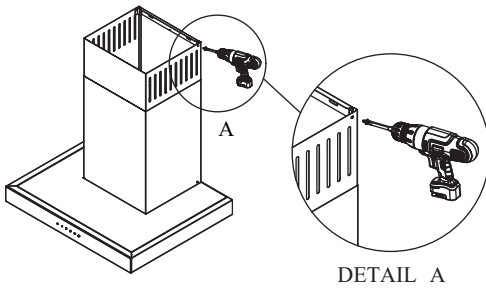
11) Carefully fit the outer flue and the inner flue together.

Fixed external flue connection lug



(Figure 9)

12) Fasten the external flue to the flue connection lugs (2 left-right) on the top surface of the hood with 3.5x6.5 RYSB screws (Figure 9)

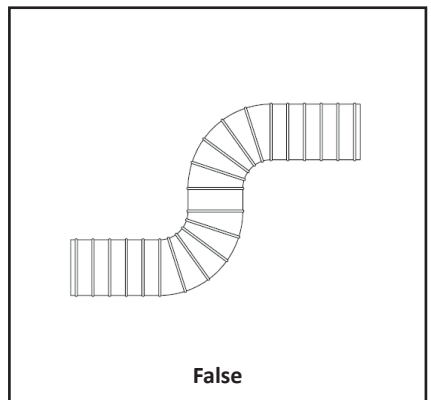
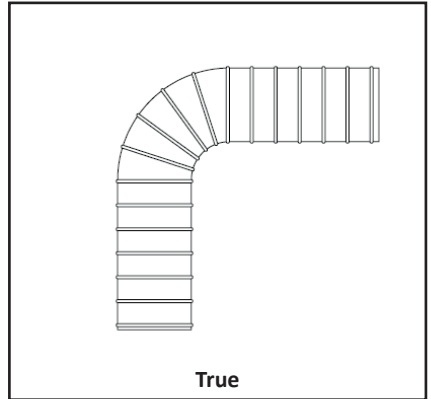


(Figure 10)

13) Pull the inner flue upwards from the outer flue and screw it with 3,5x6,5 RYSB screws to the inner flue connection sheet that you screwed to the wall before. (Figure 10)

To use your hood efficiently:

When connecting the hood to the chimney, use a 120-150 mm diameter pipe with as few elbows as possible. Excessive bends and kinks should be avoided as much as possible, as bends and kinks in the aluminum pipe will cause a reduction in air suction power. (Figure 11) Aluminum cassette tape filter Pay attention to the regular cleaning and replacement periods of carbon filters.



(Figure 11)

OPERATION AND USE OF THE HOOD

Before Starting the Hood



Make sure that all mechanical and electrical connections have been made before starting the hood.



Do not leave any foreign objects inside the hood. Make sure there is no packing material lying around.

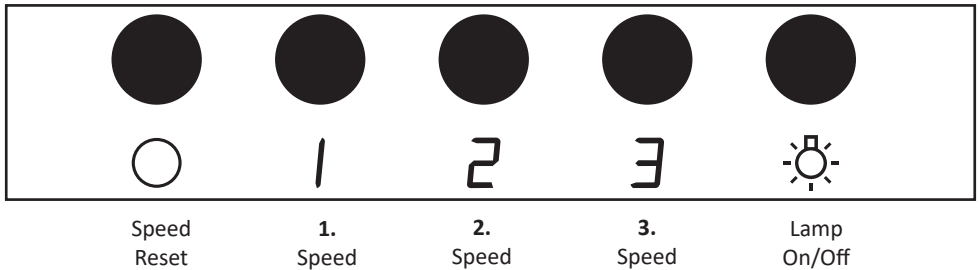


Make sure to remove the blue protective tape on the edges of the washable aluminum cassette filter in the hood. Please note that if this protective tape is not removed, there is a risk of burns as it is a non-combustible material.

Speed Selection

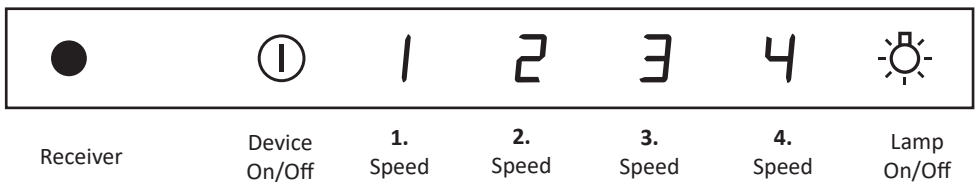
The appliance has 3 stages of ventilation. Choose from low (Speed 1) - medium (Speed 2) - high (Speed 3) depending on the steam generated during cooking. After you have finished cooking, leave the hood running for a while to absorb the remaining odor and steam.

Mechanical Button Control



Select and press one of the buttons shown above (1, 2 or 3) to start the hood. Press the leftmost speed reset (0) button to end the operation. To control the lamp, press the lamp on-off button on the far right.

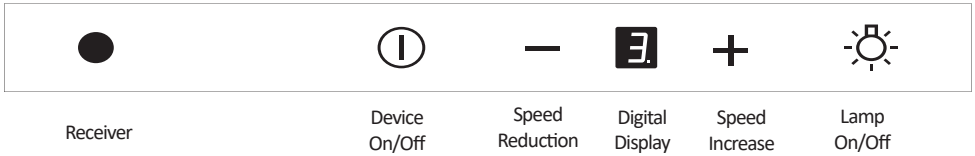
Electronic Control



Touch the product on/off icon in the image above to turn the hood on. Then touch one of the icons shown above (1, 2, 3 or 4) depending on the intensity of the steam generated during cooking. Touch the product power icon again to end the process. To check the lamp, touch the lamp on/off icon on the far right.

Note In order to use the air venting function of the device, you must turn on the device with the on/off symbol. The motor of the appliance cannot be started without touching this symbol. The lamp of the product can be operated independently of the motor.

Electronic Control - 2 (Digital Display)

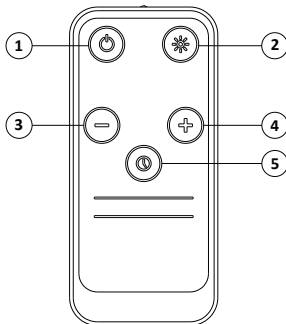


Touch the product on/off icon in the picture above to turn the hood on. Then adjust the motor speed by touching the + or - icons according to the intensity of the steam generated during cooking. Touch the product power icon again to end the process. To check the lamp, touch the lamp on/off icon on the far right.

Remote Control (OPTIONAL)

If your product has electronic control, it will come with 1 remote control.

(Figure 12)



1. On/Off
2. Lamp On/Off
3. Speed Reduction
4. Speed Increase
5. Timer

(Figure 12)

Timing Control (Automatic Stop) 5 minutes:

If your equipment is electronically controlled, it has automatic stop option to automatically stop itself after driving out any undesirable smell and steam left in the atmosphere and some ventilation for a while.

In order to engage the automatic stop feature, you should press any speed symbol (1, 2, 3 or 4) on the control panel longer than 3 seconds and thus 5-minute timing will start.

If you touch the same speed symbol when the automatic stop feature is engaged, the automatic stop function will be disengaged and the motor of the equipment will stop. Furthermore, please remember then when you switchover to a different speed, this function will be disengaged. If you want your equipment to automatically stop, you should engage the automatic stop function again.

Functions of the equipment:

Hood can be used in kitchens with or without flue.

For use with flue:

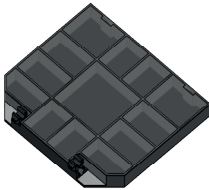
In case of use with flue connection, the hood should be connected to a flue to exhaust the air. For efficient use of your hood, you should follow the shortest way of the piping to the flue and the airway should be open

Your product is delivered from the factory as suitable for use with flue.

WARNING.

No other air ducts may be connected to the extractor fan openings of the range hood.

For use without flue:

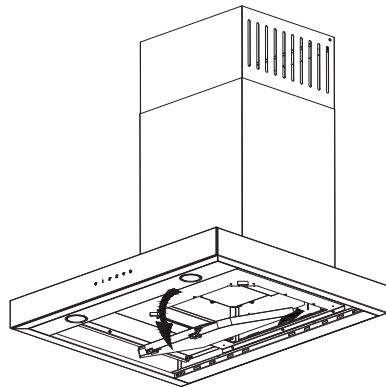


(Figure 13)

Activated carbon filter

In environments without a chimney connection to the outdoor environment, an activated carbon filter should be used to filter odors and air and return it to the indoor environment. You must obtain the activated carbon filter from authorized customer services.

(Figure 13)



(Figure 14)

Activated Carbon Filter Replacement

1 carbon filter must be used for the product. Align the tabs for the new carbon filter inside the engine box. Insert by pressing gently on the front tabs. Pull gently downwards on the tabs to remove. Make sure it fits and is secure

(Figure 14)

CLEANING AND MAINTENANCE

Cleaning

Before maintenance and cleaning operations, you should remove the power cable from the socket or switch the hood off.

-External surfaces of the hood should be wiped with a cloth dampened with soap water.

- Do not use corrosive and dangerous chemical materials.

-Be careful that water or similar substances should not contact with the electronics.

-For products made of stainless steel, use of commercially available maintenance and cleaning agents for stainless steel will ensure your product to serve longer.

-Aluminum cartridge filters are washable in the dishwashing machines.

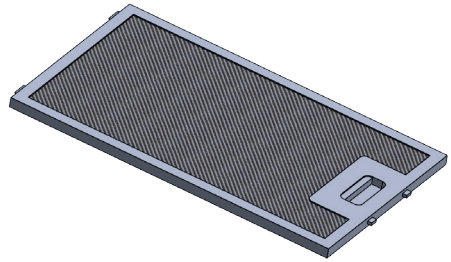
-Aluminum cartridge filter should be washed one in several months (after each 40 operating hours in average) depending on frequency of use with hot soapy water or, if possible, individually in the dishwashing machine (maximum 60°C).

-After washing, aluminum cartridge filter and its frame may discolour. This is normal and does not affect function of the filters.

-Remove the aluminum cartridge filter by pushing the spring catch at the end.

After cleaning, allow it to dry. Do not put in unplace before it gets dry

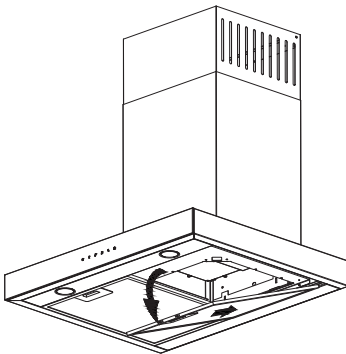
(Figure 15)



(Figure 15)

Washable aluminum cassette filters

*If you desire to replace aluminum cartridge filter, consult to the nearest authorized service centre to get it. For this purpose, you should state the version number written on the nameplate of your product. Filters for other brands and versions commercially available are not compliant with your product.

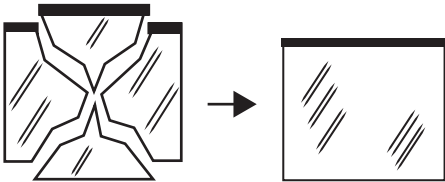


General Information About Lamps and Replacement of Lamps

Hood is equipped with a LED-based lighting system.

When LEDs are compared with ideal lighting and normal lamps, they provide a service time 10 times longer, with energy savings up to 90%.

If you encounter any physical deformation of the lamp of the hood or any problem with its lighting, please contact with the authorized service centre.



If there occurs any crack or break on the surface of the lamp, contact with the authorized service centre and replace it.

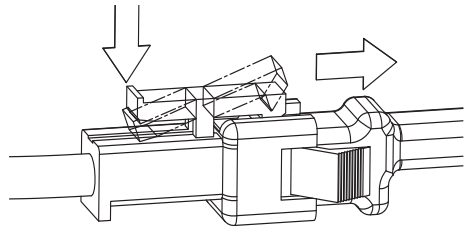
If it is required to replace the lamps, please check the following info and replace it with an alternative having the same technical specifications.

- ILCOS D code: DBR-1-H (ILCOS d code as per standard IEC 61231)
- LED module – semi-transparent plastic
- Rated power of each lamp: 1W
- Maximum lamp potential power for replacement: 2 x 1W
- Voltage range of the lamp: 220 - 240V
- Product sizes: diameter: 35,8 mm / height: 30 mm

If required, you may acquire new lamps from the authorized service centre.

Replacement of the Lamps

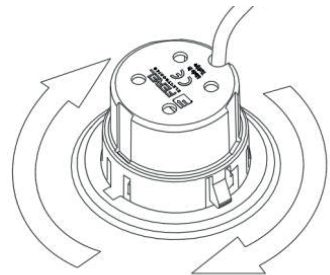
Prior to replacement of the lamps, remove power cable of the hood. And then lift the front glass upward and remove the aluminum cartridge filter. Afterwards:



(Figure 16)

1. After releasing the locking mechanism, press the plastic tab on the back side as shown on the left to separate the lamp holders and plugs.

(Figure 16)



(Figure 17)

2. Hold the lamp at its body and rotate 2 retaining lugs on the lamp clockwise or anticlockwise to match with the gaps on the lighting panel. After bringing the retaining lugs to align with the gaps, hold the lamp at its body and bring it out.

(Figure 17)

SERVICE, SPARE PARTS, WARRANTY

Matters to be Considered by the Customer Regarding the Warranty;

Keep the product warranty certificate. If the warranty certificate cannot be presented, the product will be treated out of warranty. Auxiliary elements and accessories to be purchased with the product are excluded from the product warranty. The materials specified in the user manual that need to be replaced over time and depending on usage are excluded from the warranty.

The following conditions are excluded from the warranty:

1. Damages and malfunctions caused by the installation of the product contrary to what is stated in the manual and usage errors,
2. Damages and malfunctions during loading, unloading and transportation after delivery of the product to the customer,
3. Low or excessive voltage; faulty electrical installation; damages and malfunctions resulting from the use of the product at a voltage different from the voltage value specified on the type label,
4. Damages and malfunctions caused by fire and/or lightning strikes,
5. Malfunctions arising from the use of the product contrary to the points in the user manual that the user should pay attention to.
6. Glass breakage
7. Errors caused by anyone other than authorized persons intervening or attempting to repair the device.
8. Problems arising from the installation of any part other than the parts supplied by the manufacturer.

The responsibility of finalizing the warranty certificate and giving it to the consumer belongs to the seller, dealer, agency or representative offices where the consumer purchased the goods. This warranty is invalid if the warranty certificate is falsified, the original serial number on the product is removed or defaced.

The aluminum filters used in the hoods should be cleaned in the time and manner specified in the manual. As a result of use, blackening and discoloration may occur on the filters over time. Such situations are normal, do not prevent the product from fulfilling its duties and functions and are not covered by the warranty. If the warnings specified in the manual are not observed in stainless steel products, blackening, oxidation, fluctuations on the surface may occur. Such cases are not covered by the warranty.

Warnings Regarding Transportation and Handling

- Observe the markings on the parcel during transportation.

If you need transportation;

- Keep the original packaging.
- Transport with the original packaging, follow the transportation signs on the packaging.

If the original packaging is missing;

- Do not place heavy objects on the hood.

AFTER SALES SERVICE:

Please contact the manufacturer for the nearest authorized service agency.

We kindly ask you to observe the following precautions.

1. When you receive your product, have the Warranty Certificate approved by your Authorized Dealer.
2. When you have a service request for your product, you can call the Consumer Hotline.
3. Ask the service technician for the “technician ID card”.
4. Do not forget to ask the service technician for a “Service Receipt” when you are done. The service receipt you will receive will benefit you in case of any problems that may occur in your product in the future.
5. Lifetime: 10 years. During this period, the manufacturer guarantees the availability of the necessary spare parts.

If the cooker hood is not working:**Before contacting the service:**

Make sure that the plug is inserted in the socket and that the electrical fuse in the installation is intact.

Do not carry out any work that could damage the product.

Check your hood according to Table 1 before contacting the service.

If the problem persists, contact the nearest authorized service center.

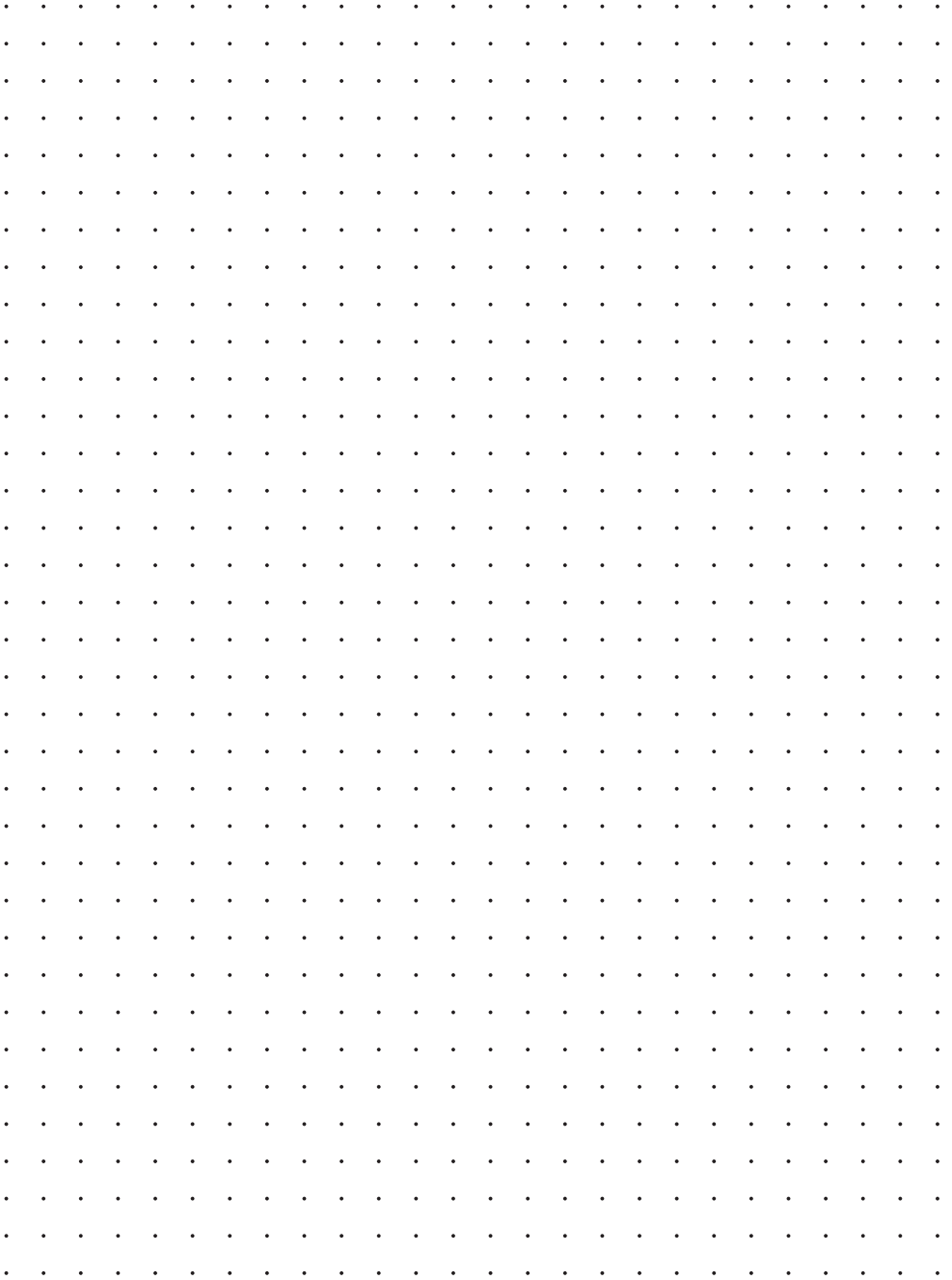
Service and Spare Parts:

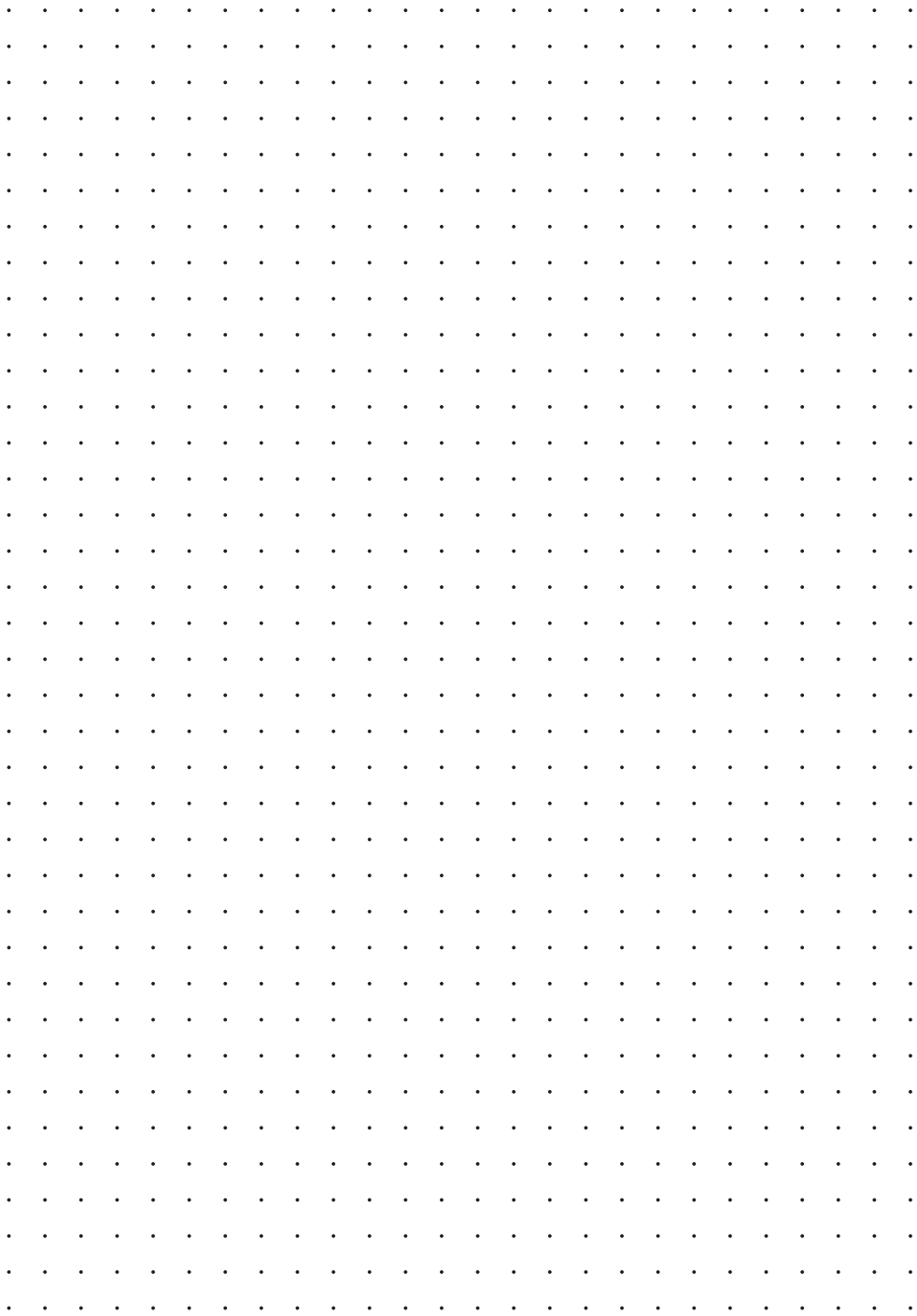
If necessary, you can obtain spare parts for your product from your authorized service center. When you contact your service center or dealer, please state the product model name that you can see on the product label in order to request spare parts. You will be able to see the product label when you remove the aluminum cassette filter.

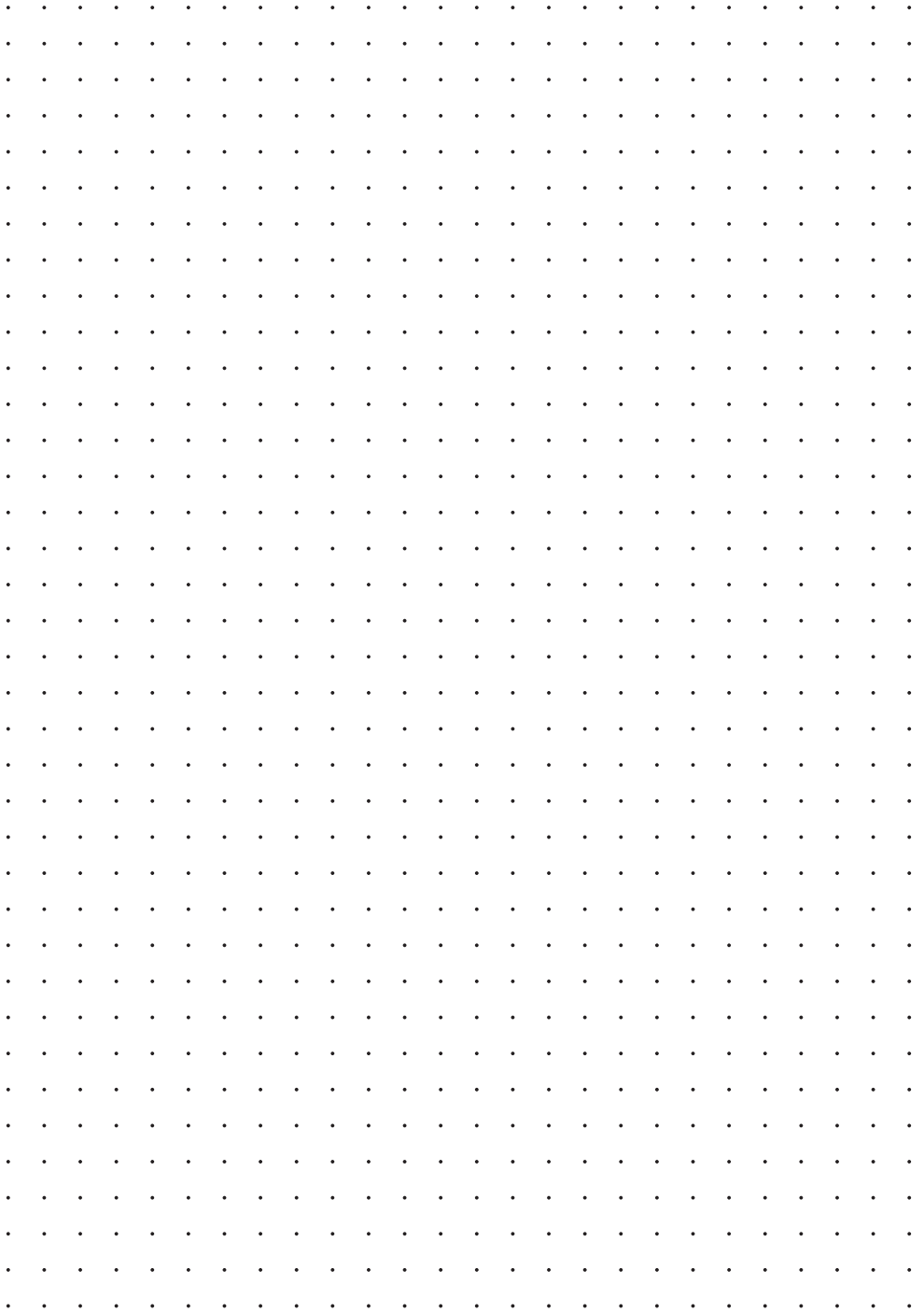
PROBLEM	CAUSE	SOLUTION METHOD
The device is not working.	The plug may not be plugged in.	Make sure the plug is inserted into the socket.
	The On/Off button may not have been pressed.	Press the On/Off key.
The lighting does not work.	The plug may not be plugged in.	Make sure the plug is plugged in.
	The product switch may not be working.	Check the switch.
	The lamp may be broken.	Replace the lamp.
The performance of the device is insufficient or it makes a loud noise when operating.	If you are using the hood without a chimney, the carbon filters may be more than 4 months old.	Replace carbon filters with new ones.
	There may not be enough fresh air entering your kitchen to ensure air flow.	Open the kitchen window to ventilate the environment.
	The air outlet may be partially or completely blocked.	Check that the air discharge path is open.

(Table 1)

If you cannot resolve the problem despite following the instructions in this section, please contact your nearest authorized service center or get support from our call center.







Complies with WEEE Regulation.

If you have any complaints, you can file your complaints and objections to consumer courts and consumer arbitration committees.