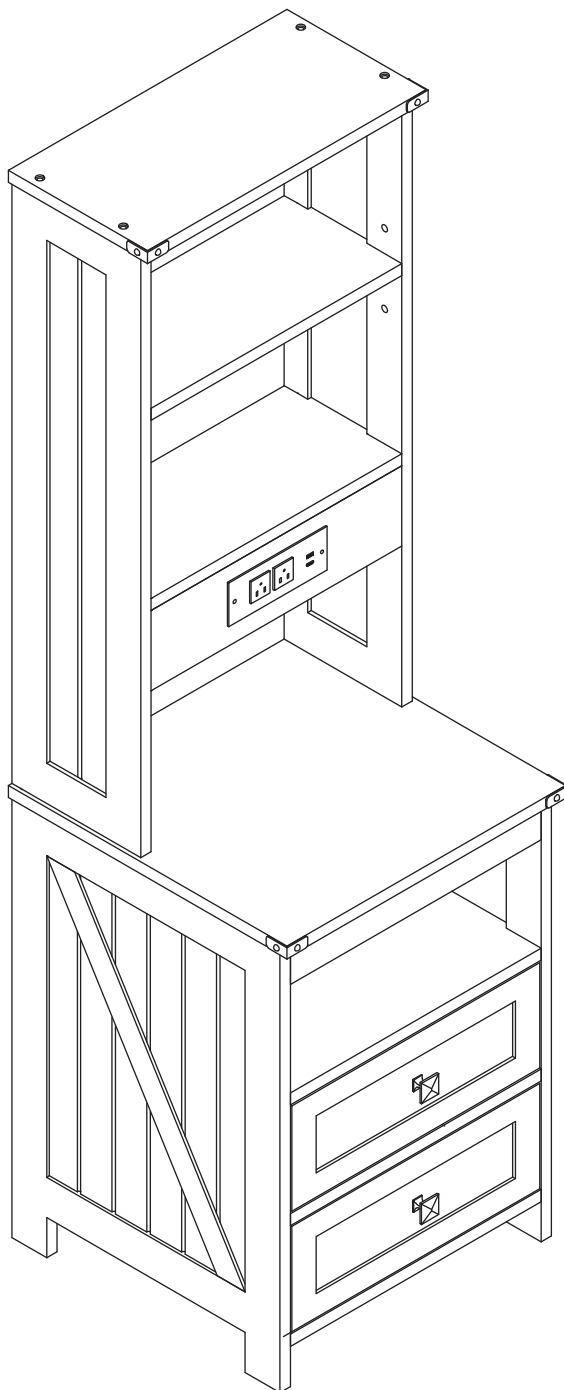




Installation & Assembly

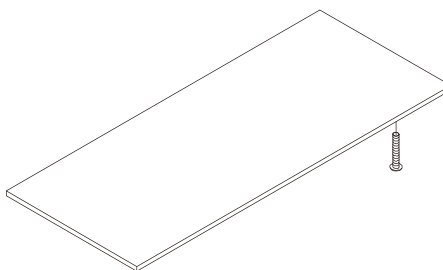


Version: 1.0

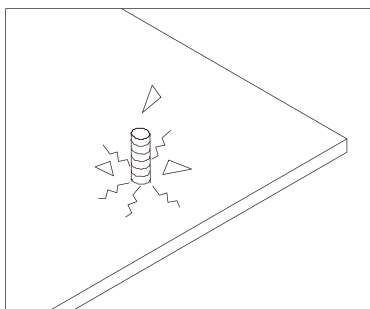
1. Matters needing attention

⚠ WARNING	
	<p>Children have died from furniture tipover. To reduce the risk of furniture tipover:</p> <ul style="list-style-type: none">-ALWAYS install Anti-tip device provided.-NEVER put a TV on this product.-NEVER allow children to stand, climb or hang on drawers, doors, or shelves.-NEVER open more than one drawer at a time.-Place heaviest items in the lowest drawers. <p><i>This is a permanent label. Do not remove!</i></p>
	

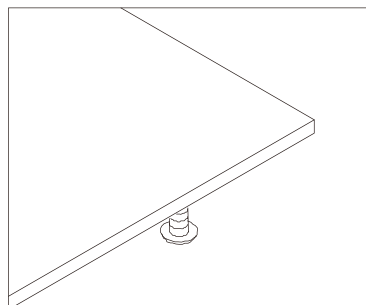
2. Matters needing attention



Be sure to use the proper screws to avoid damaging the parts



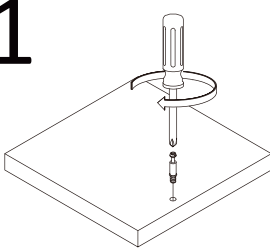
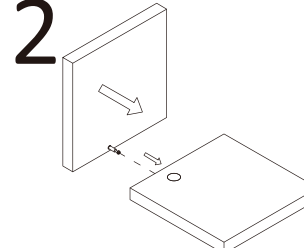
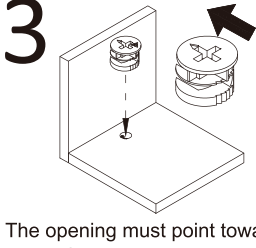
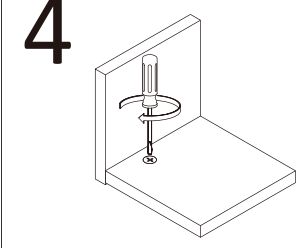
Wrong screws can cause the plank to crack

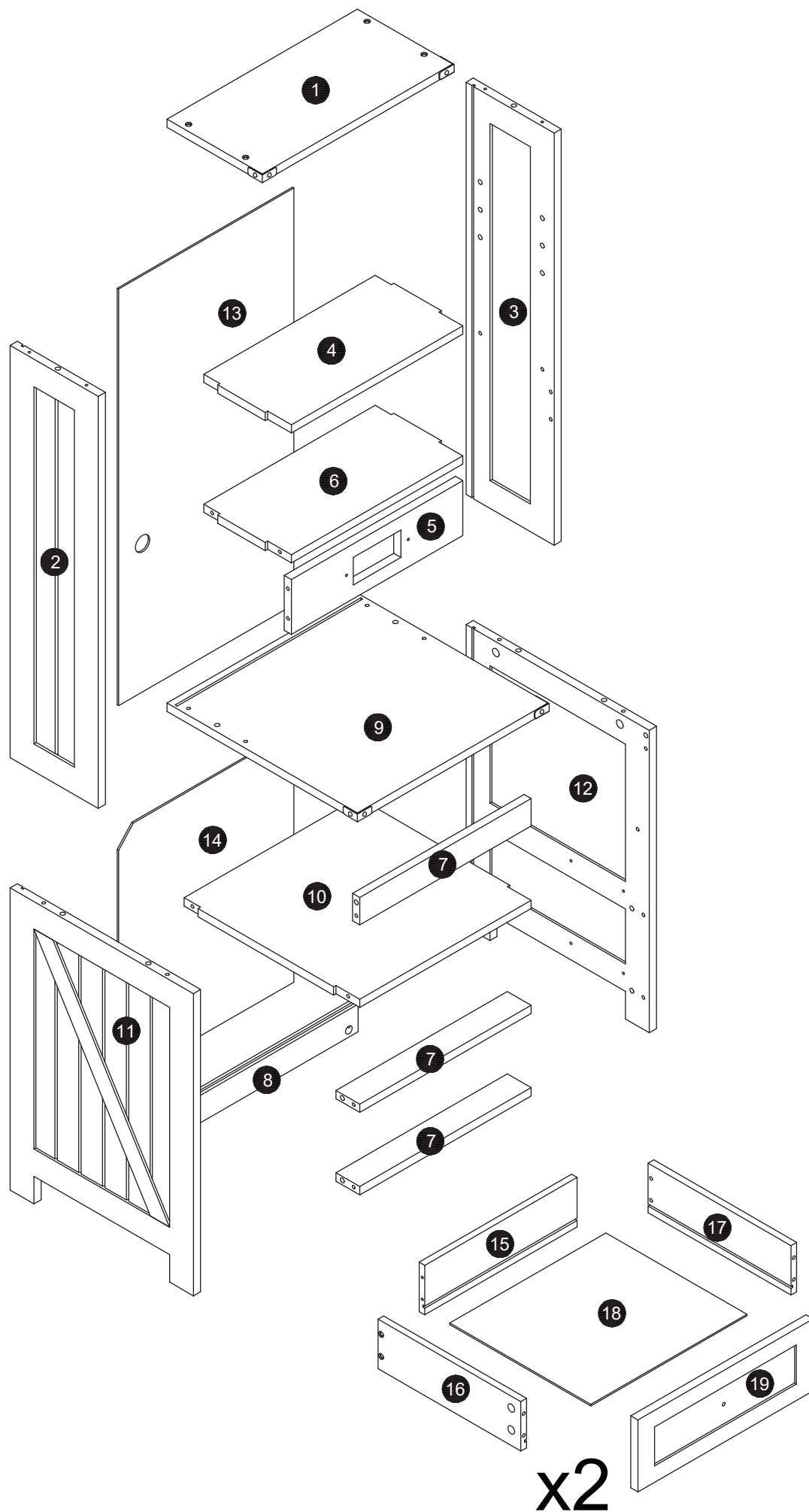


The right screw is the right size

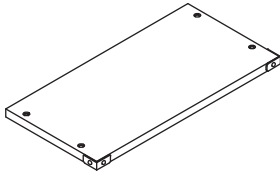
Cam Lock Fastening System

Insert the cam bolt into the hole first, then insert the cam lock and lock it.

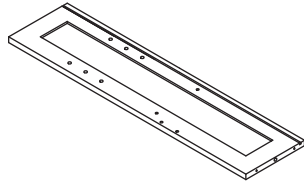
1 	2 	3  <p>The opening must point toward the edge of the board</p>	4 
---	---	---	---



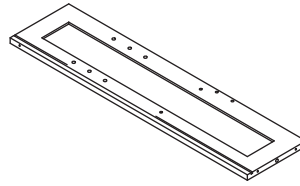
Installation parts



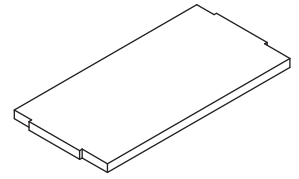
1
x1



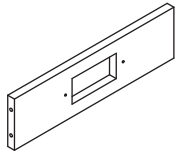
2
x1



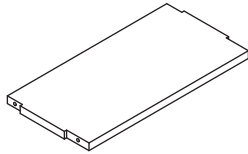
3
x1



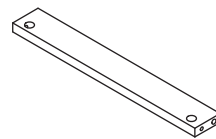
4
x1



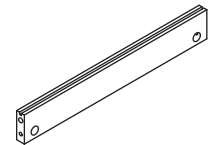
5
x1



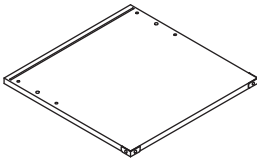
6
x1



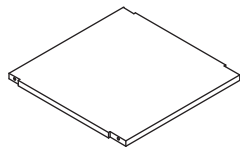
7
x3



8
x1



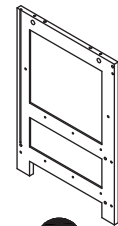
9
x1



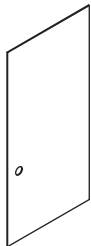
10
x1



11
x1



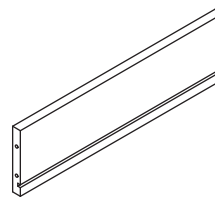
12
x1



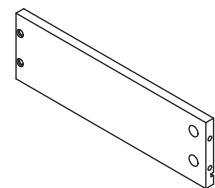
13
x1



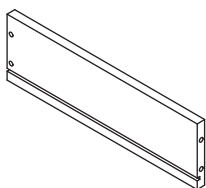
14
x1



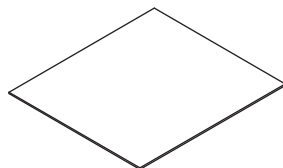
15
x2



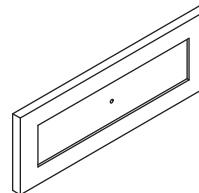
16
x2



17
x2



18
x2



19
x2

Installation Parts



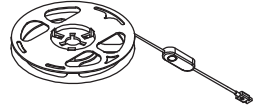
A
x32(+2)
Ø6x35mm



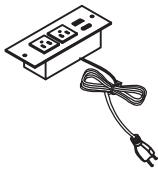
B
x32(+2)
Ø15x9.5mm



C
x16(+2)
Ø6x30mm



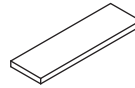
D
x1



E
x1



F
x26(+2)
Ø3.5x12mm



G
x4
Ø40x20mm



H
x5



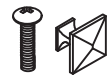
I
x18(+1)
Ø4x40mm



J
x6



K
x4



L
x2



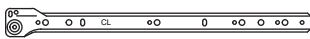
M
x10(+1)



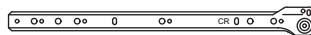
N
x10(+1)
Ø3x16mm



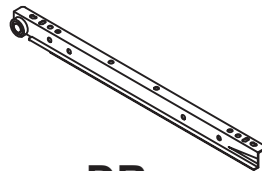
O
x2



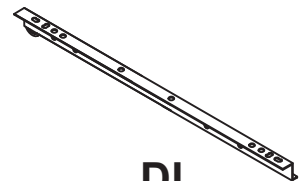
CL
x2
L350mm



CR
x2
L350mm

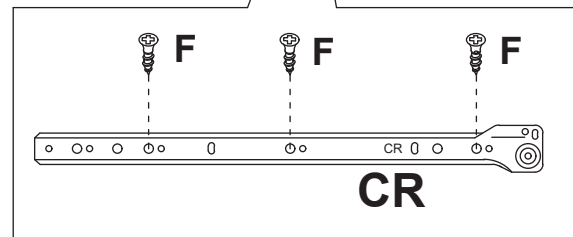
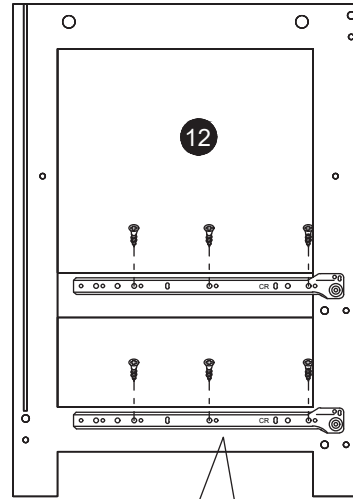
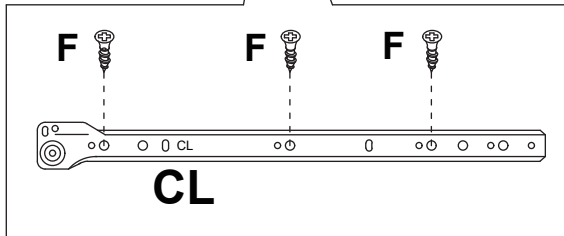
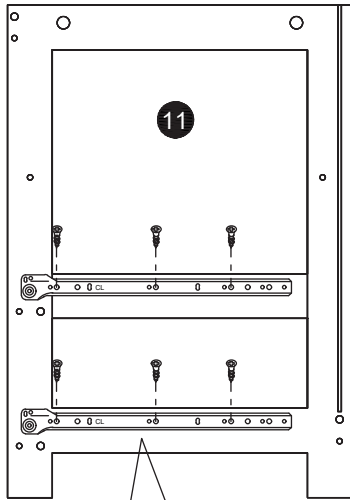
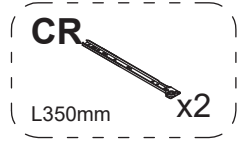
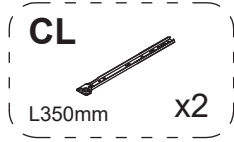
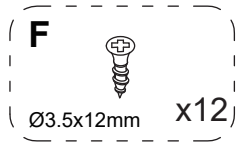


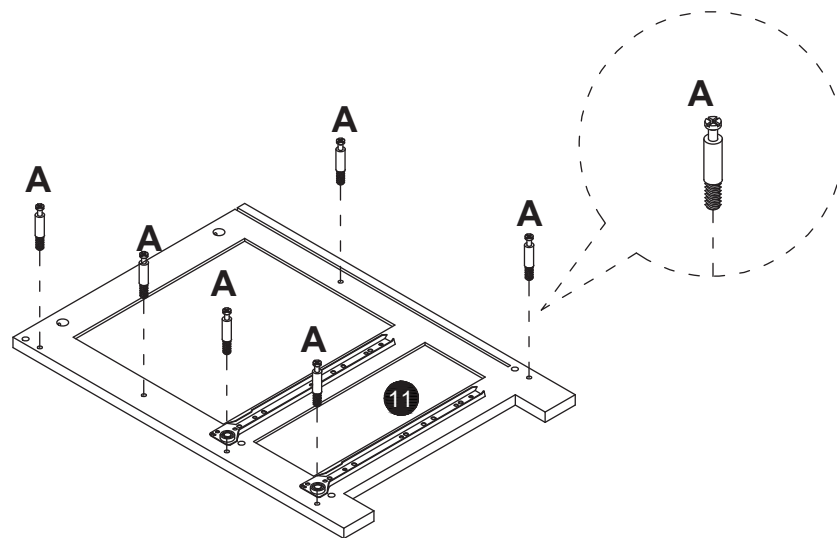
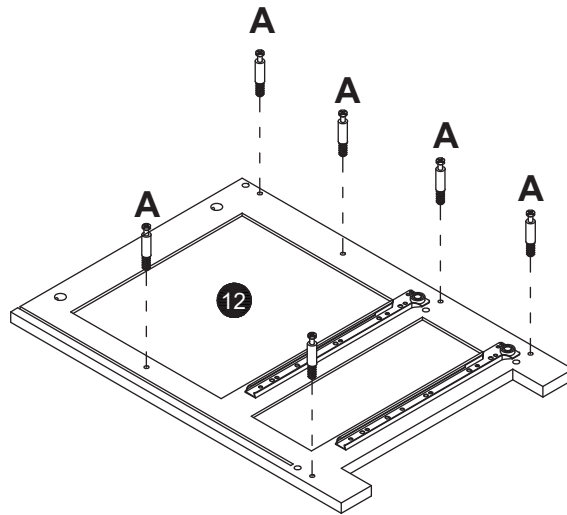
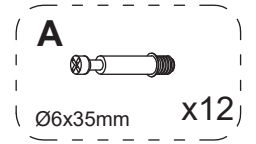
DR
x2
L350mm



DL
x2
L350mm


1

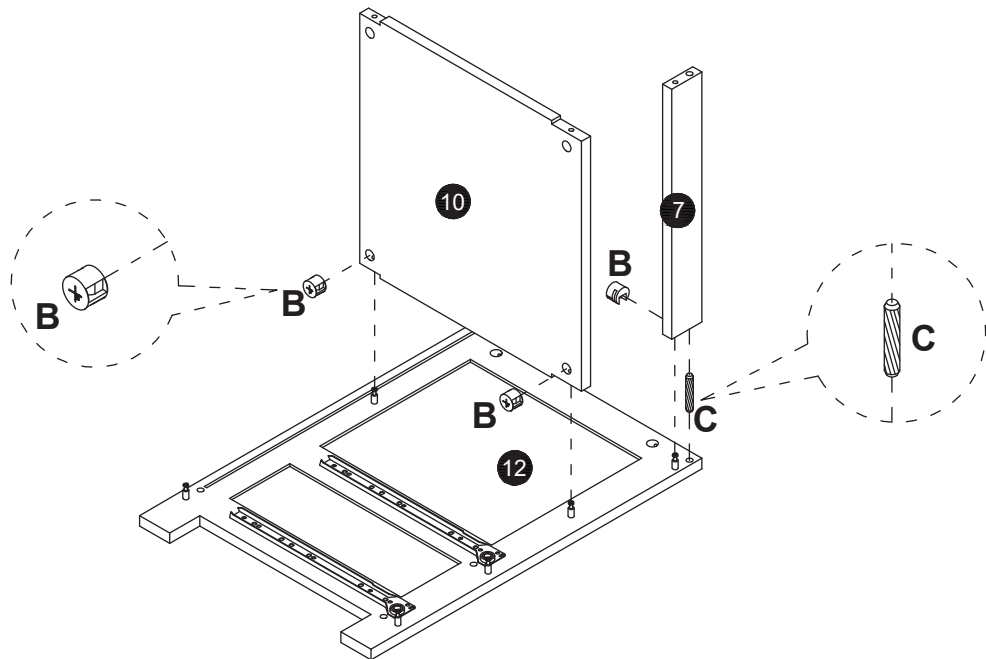





3


B 
Ø15x9.5mm x3

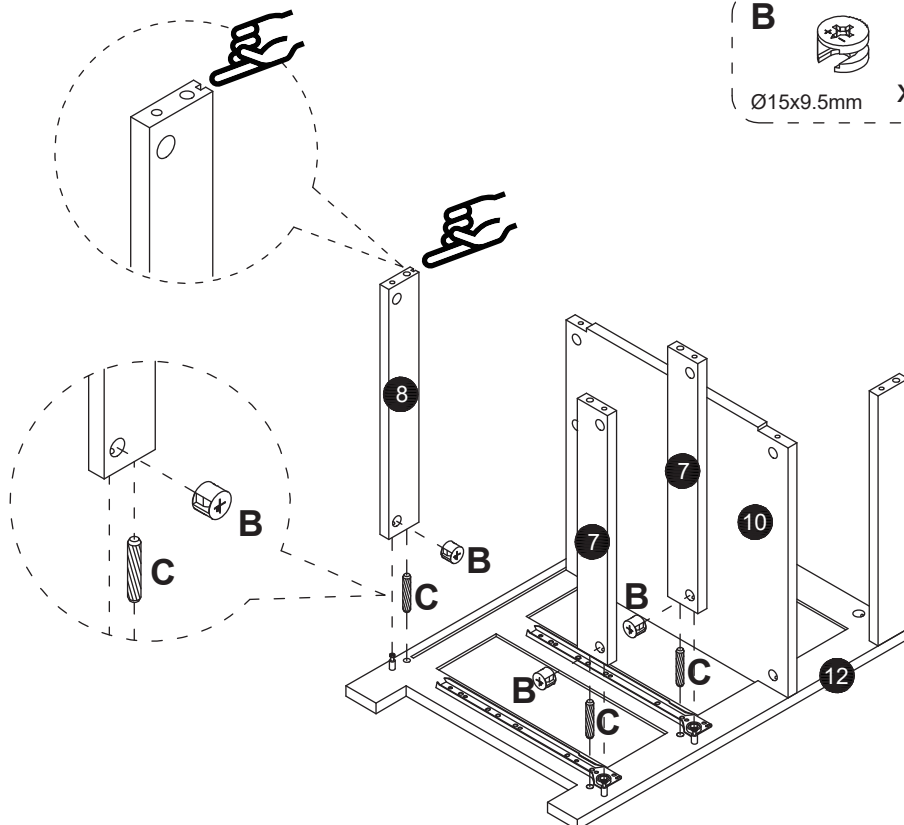
C 
Ø6x30mm x1

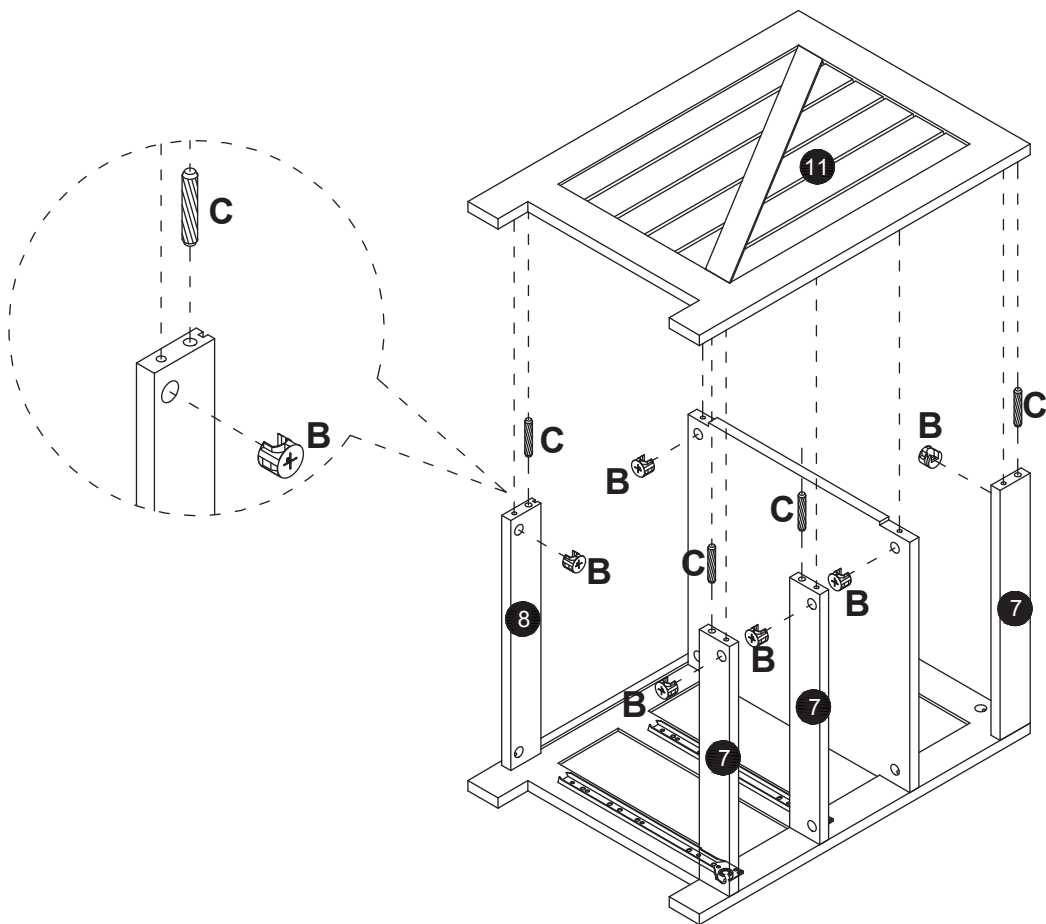
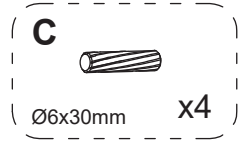
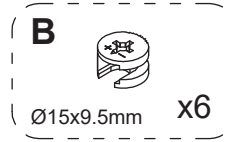


4

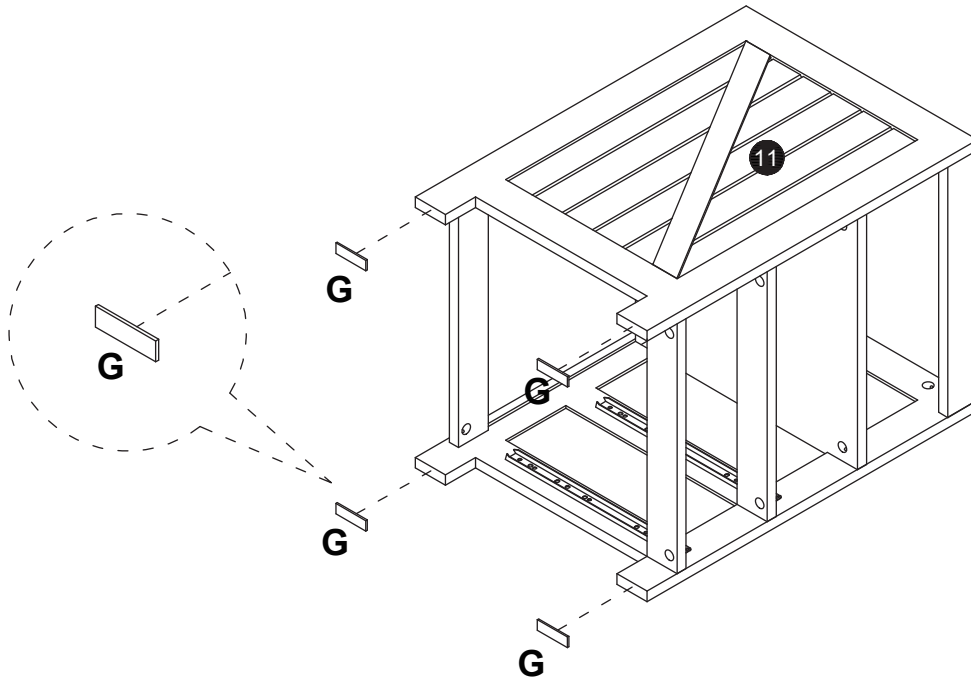
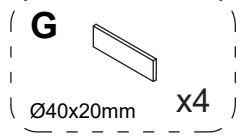
B 
Ø15x9.5mm x3

C 
Ø6x30mm x3

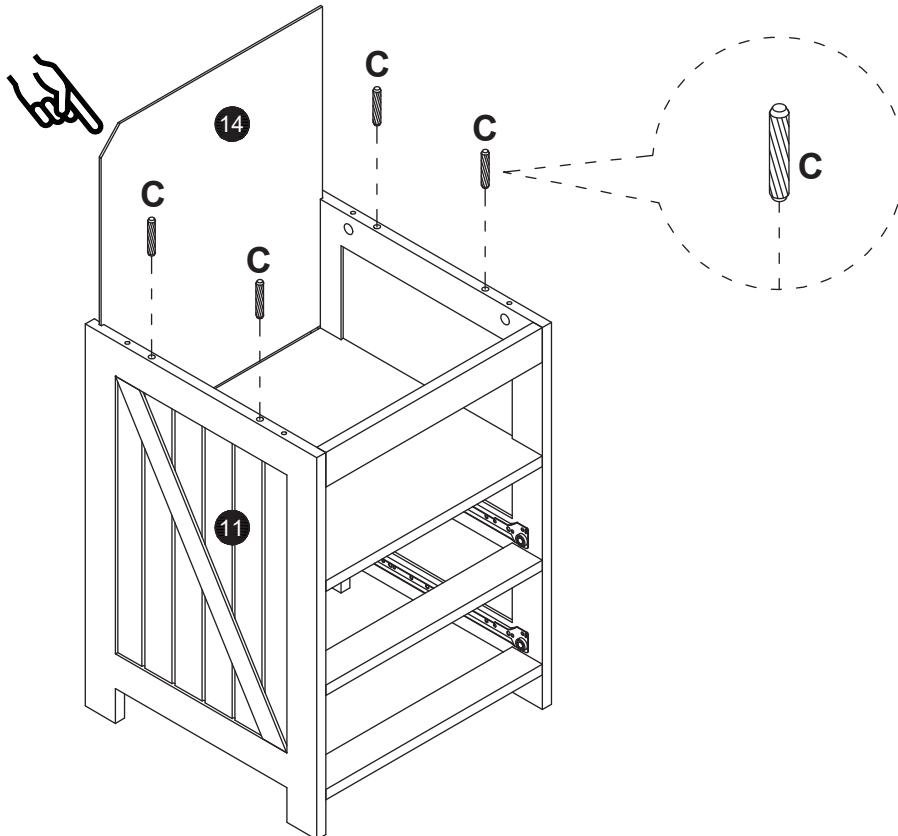
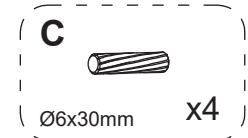


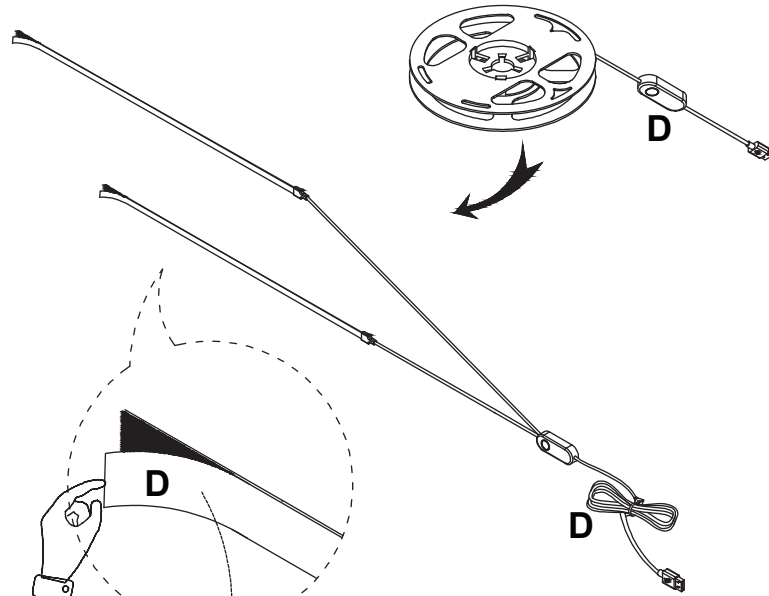
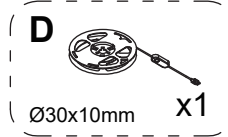


6

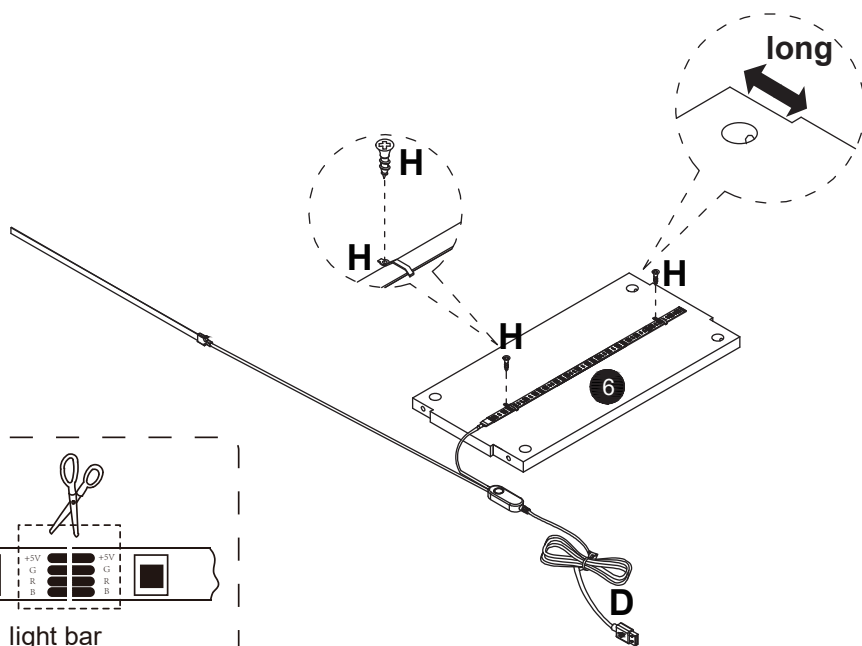



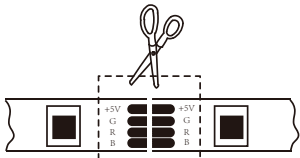
7





Tear off the back glue of the light strip

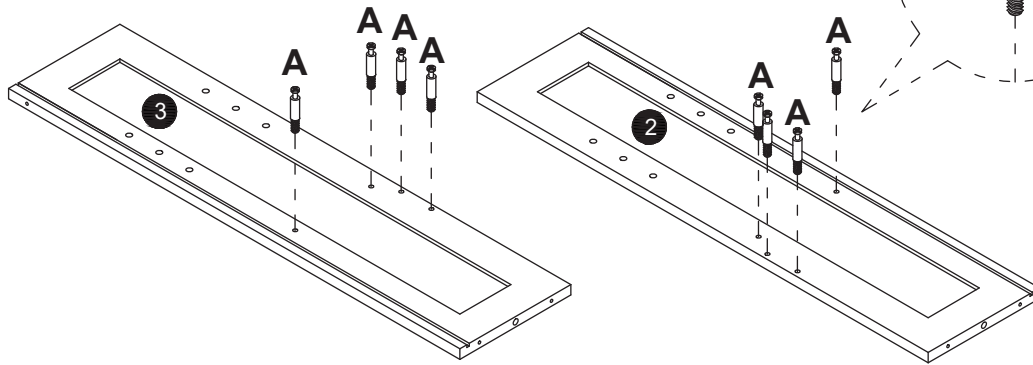
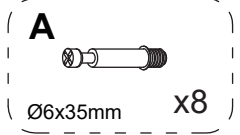


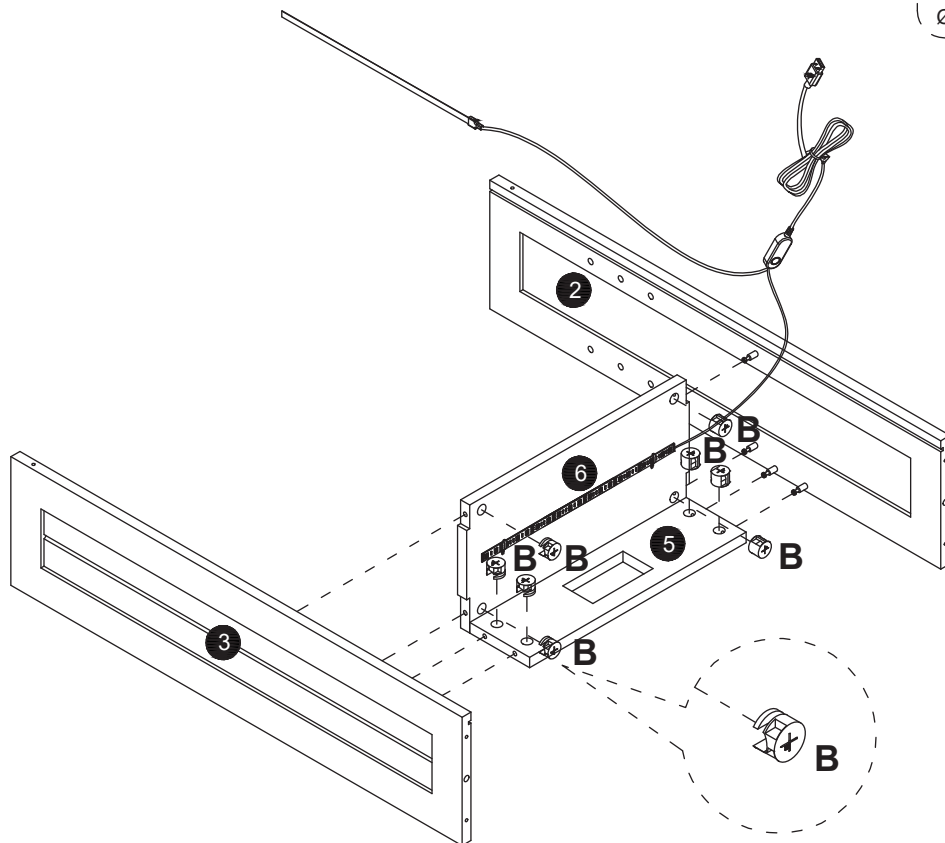
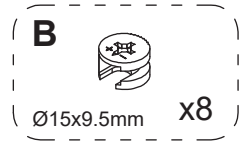
light bar

According to the actual length,
cut the excess light strip or keep it

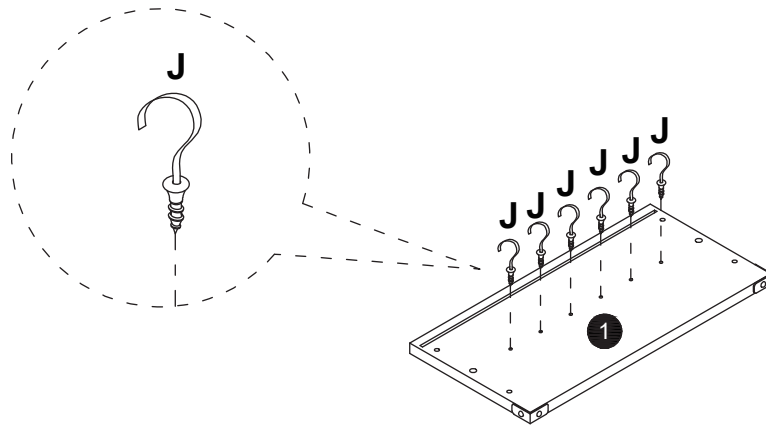
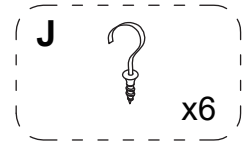
9



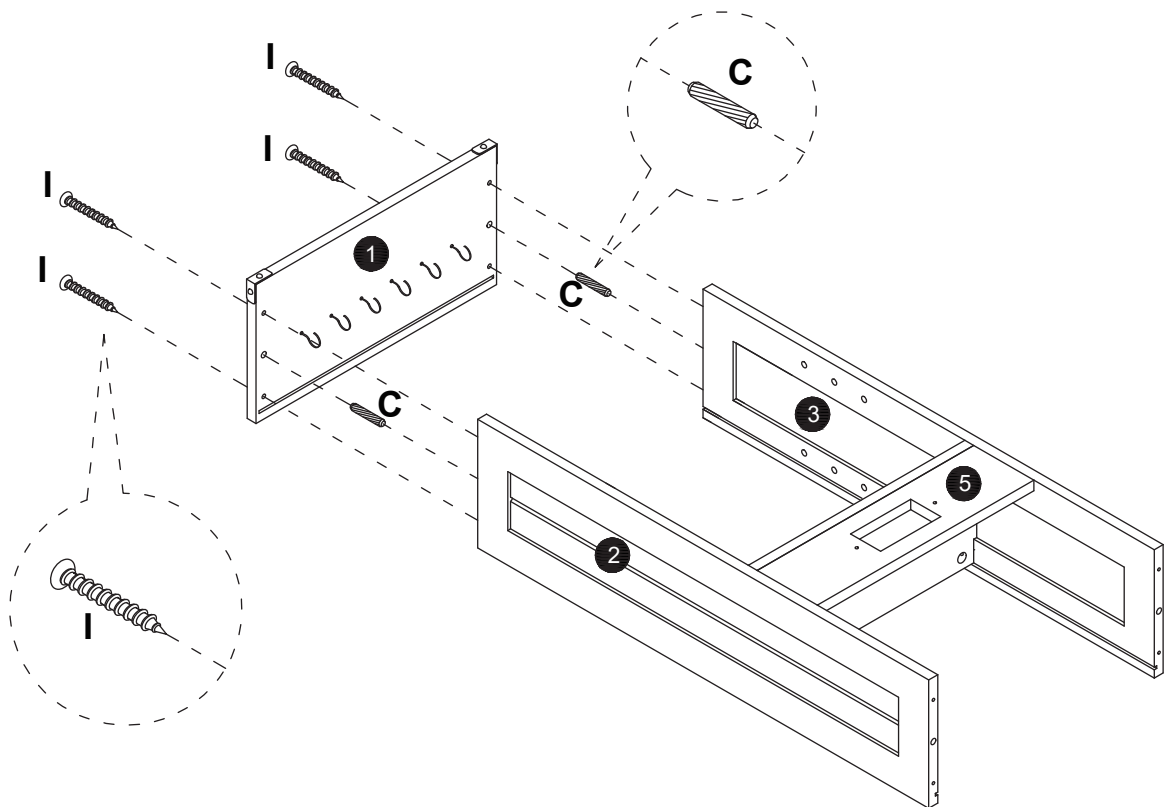
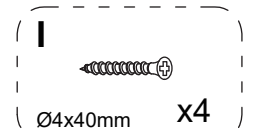
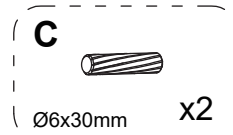
10

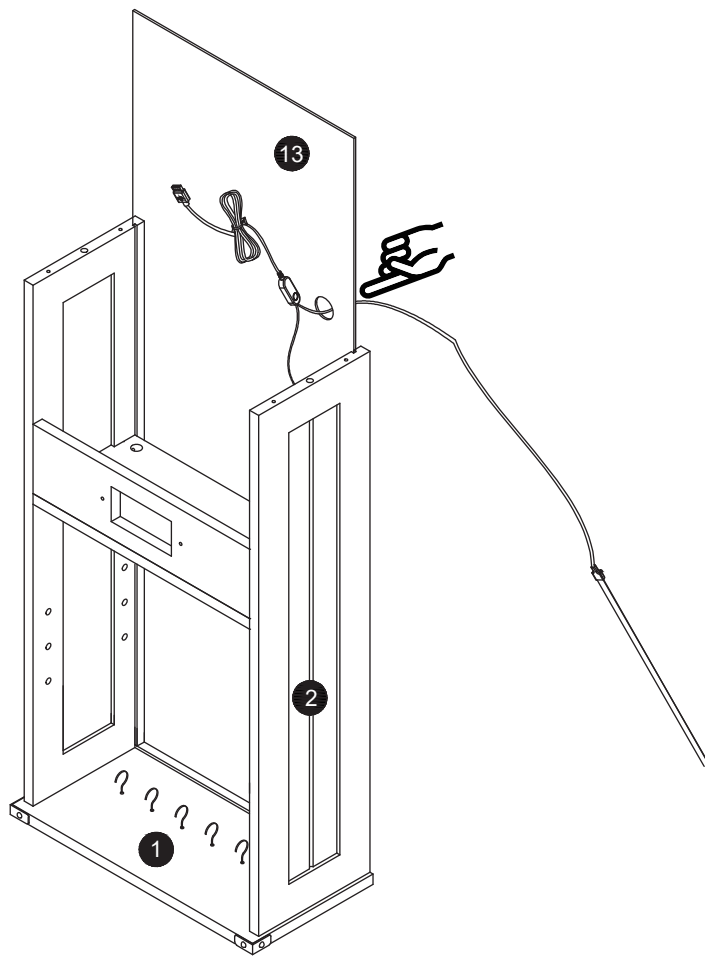


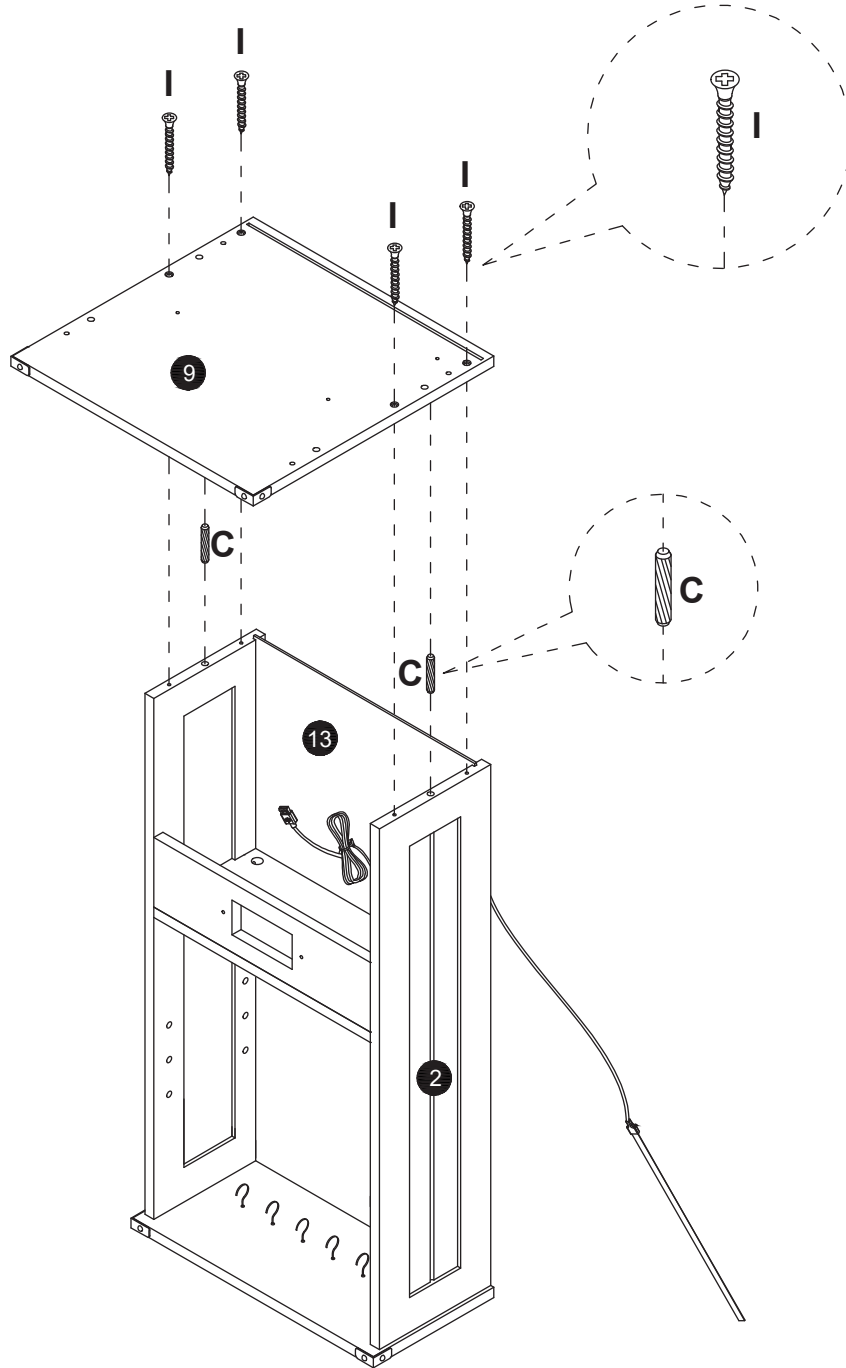
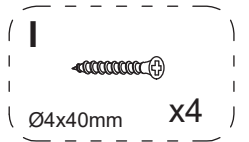
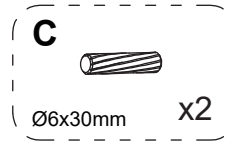
11



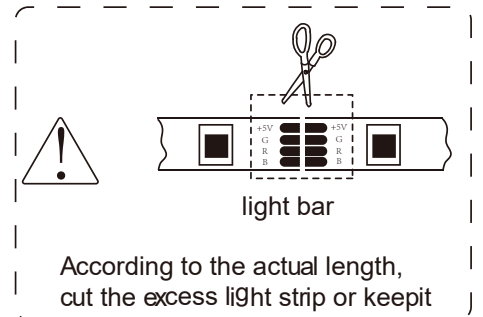
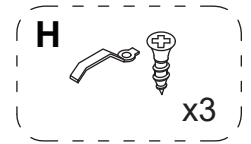
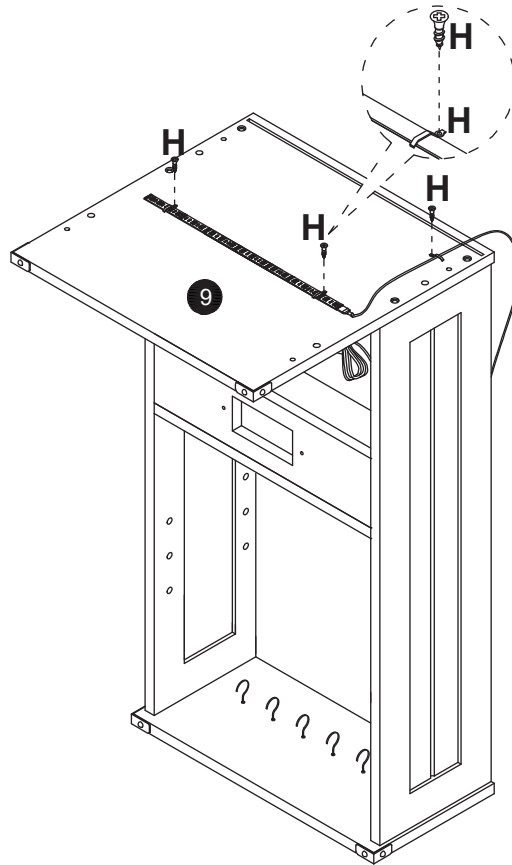
12



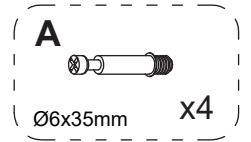
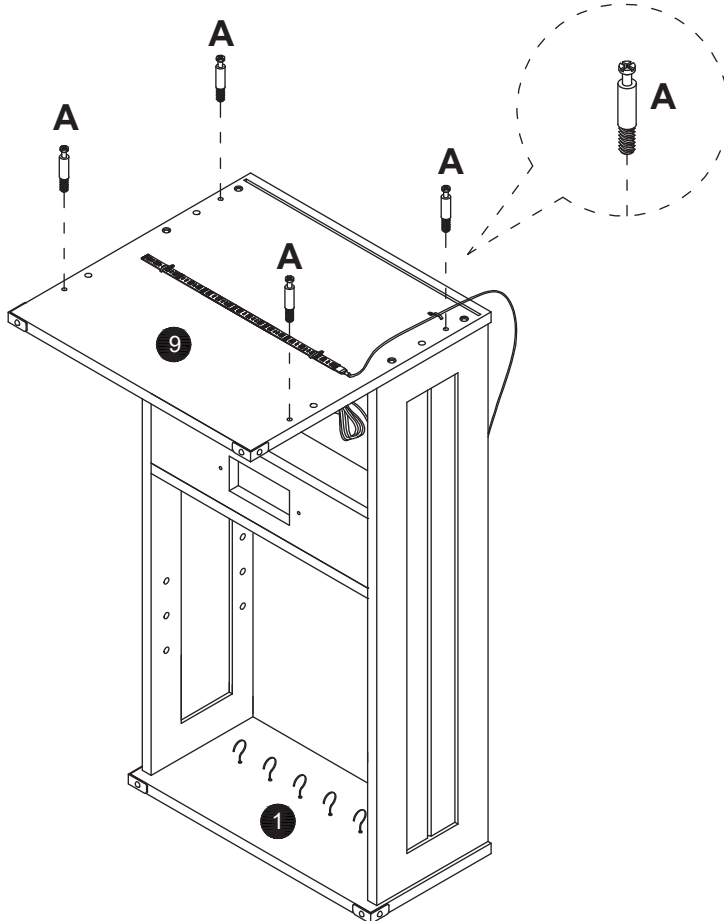





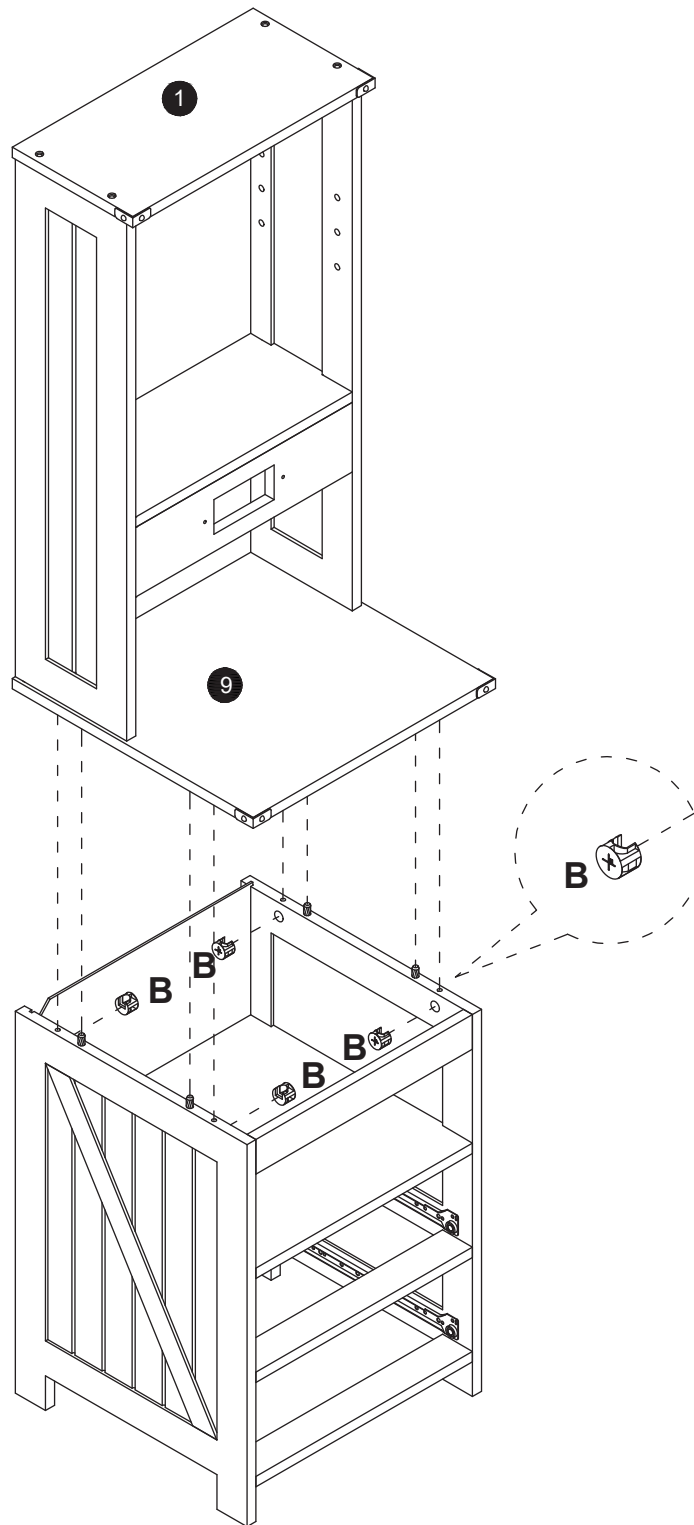
15

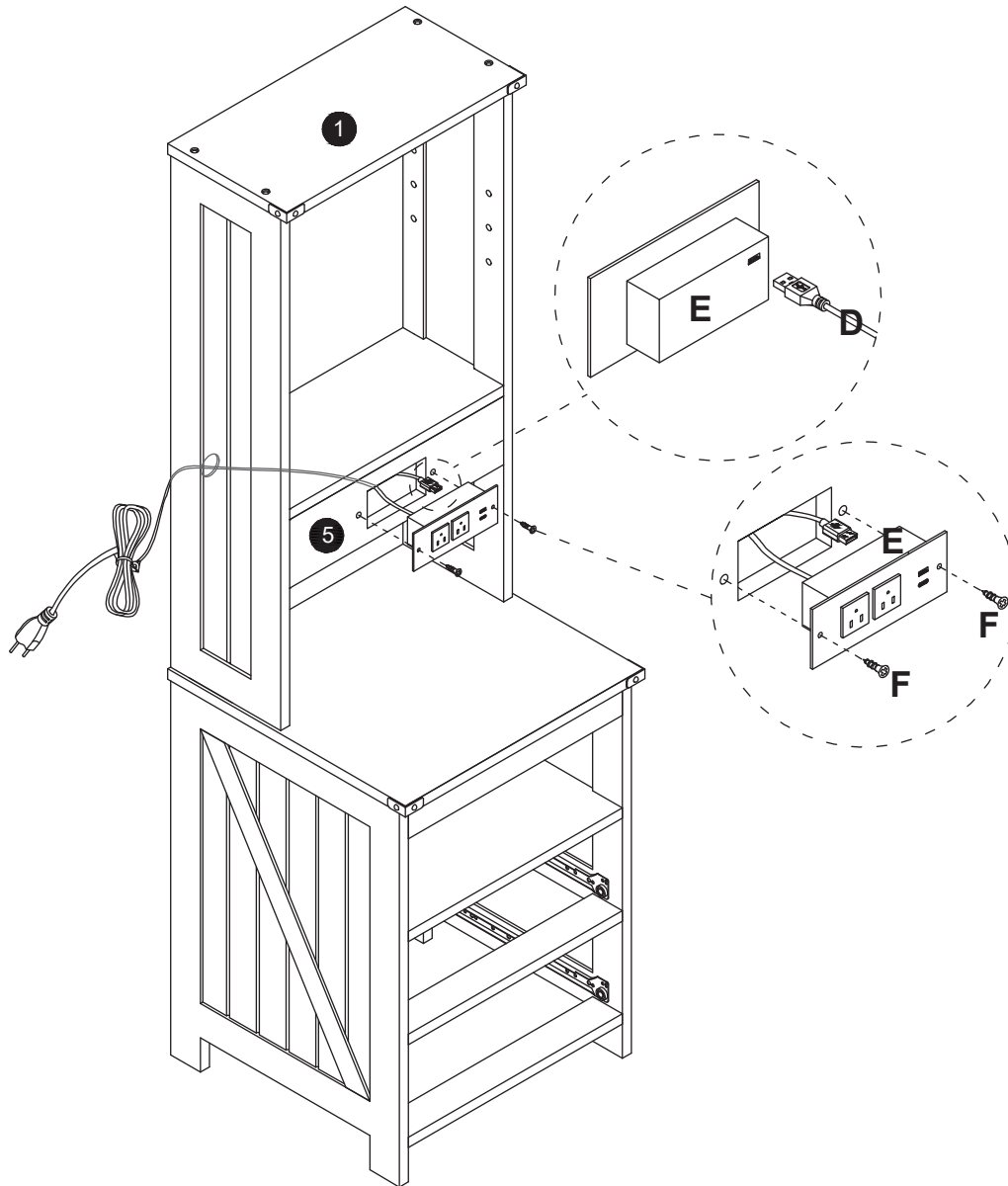
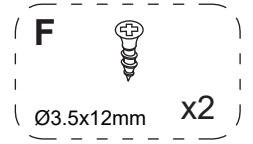
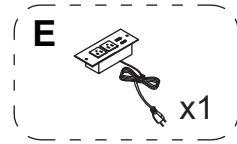


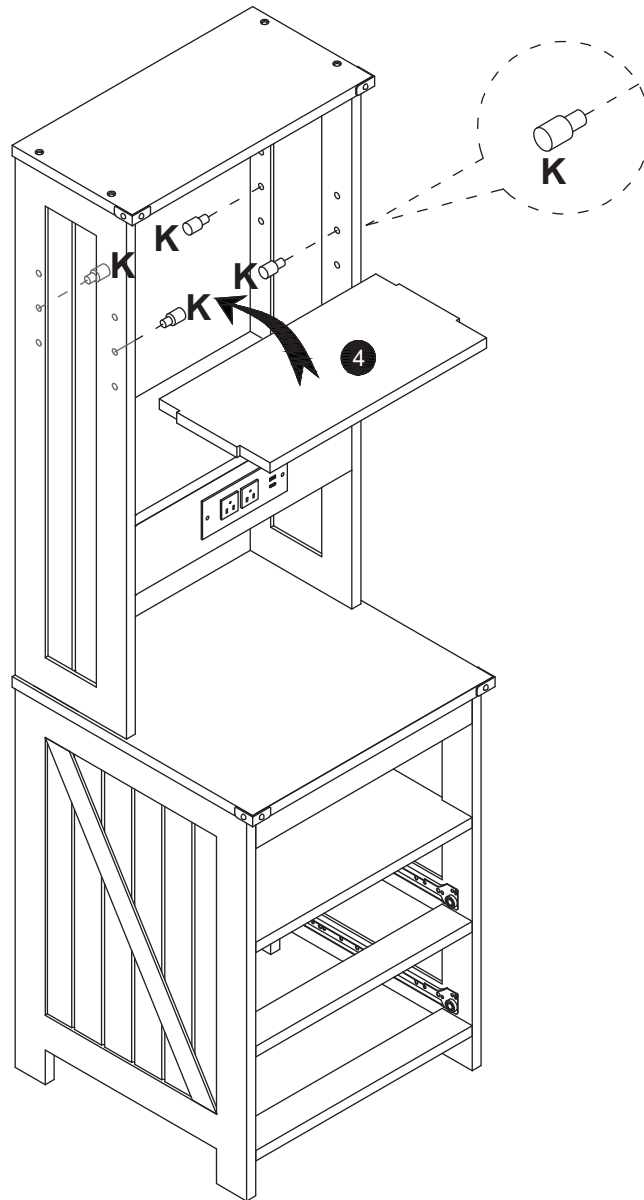
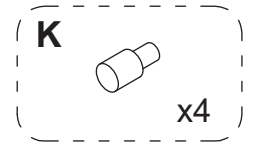
16



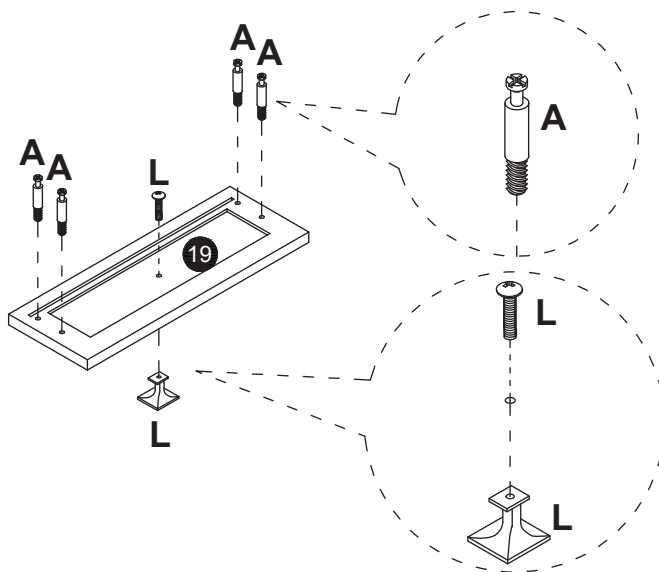
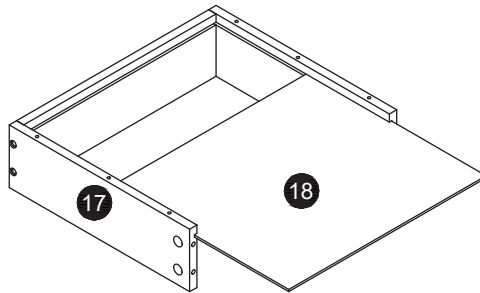
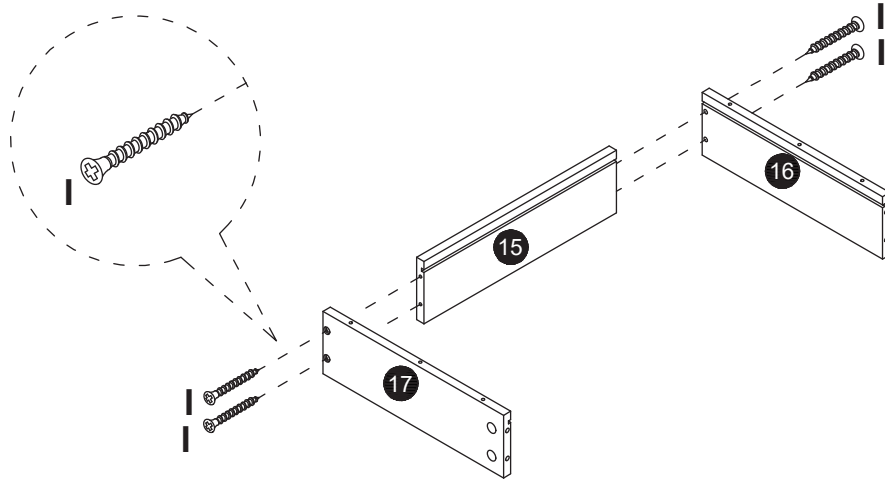
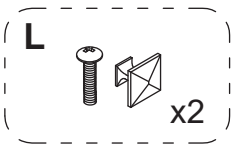
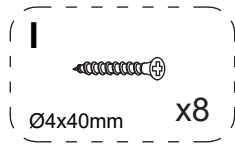
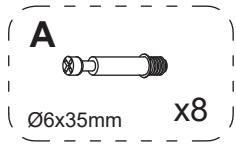
B

Ø15x9.5mm x4







x2



x2

