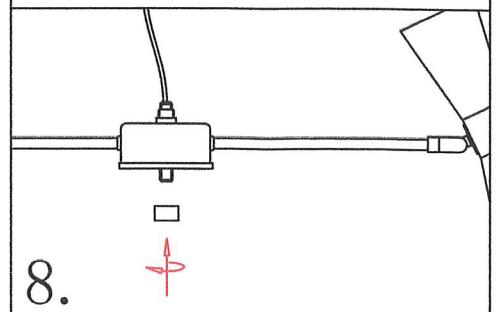
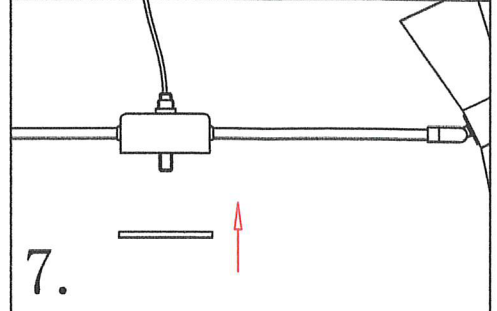
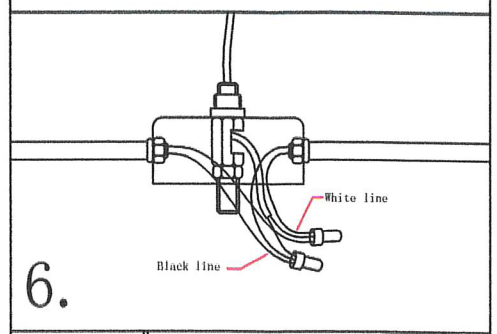
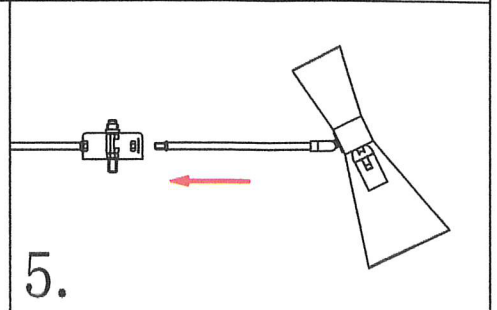
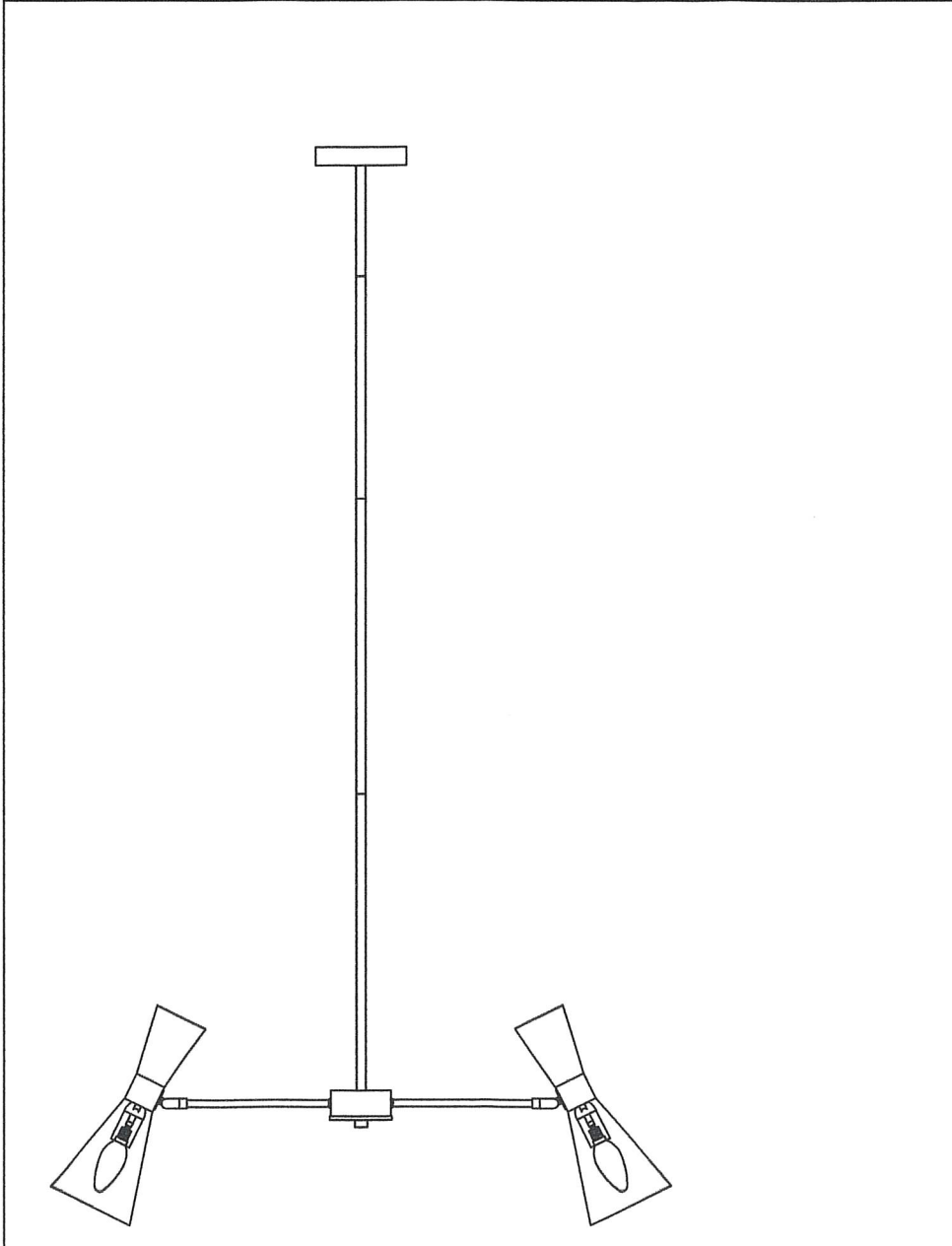
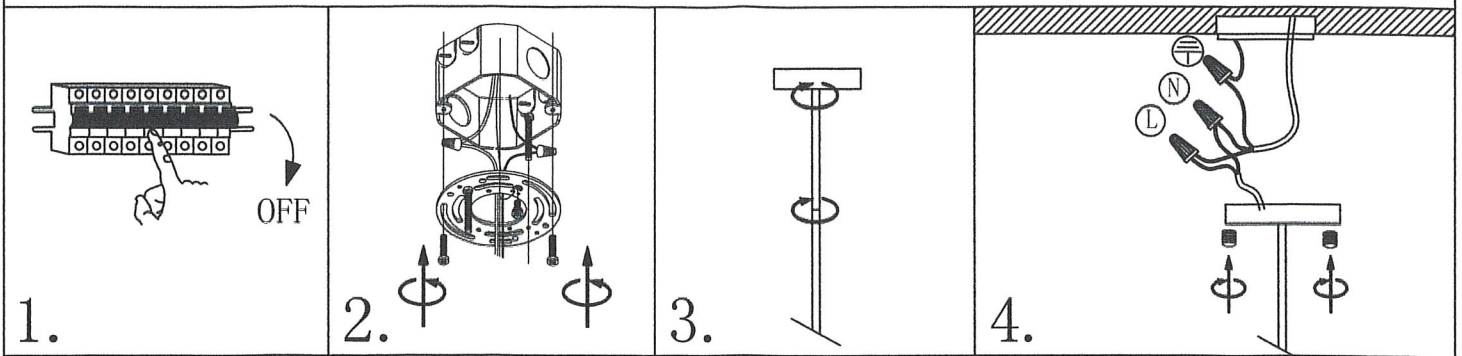


Installing Instructions



NOTE:
 1: This lighting only can be use in room.
 2: Do not turn switch on before Assembly.
 3: If you want change bulb, please turn switch off, and after the bulb is cold.
 Voltage: 110V
 Bulb: E12

