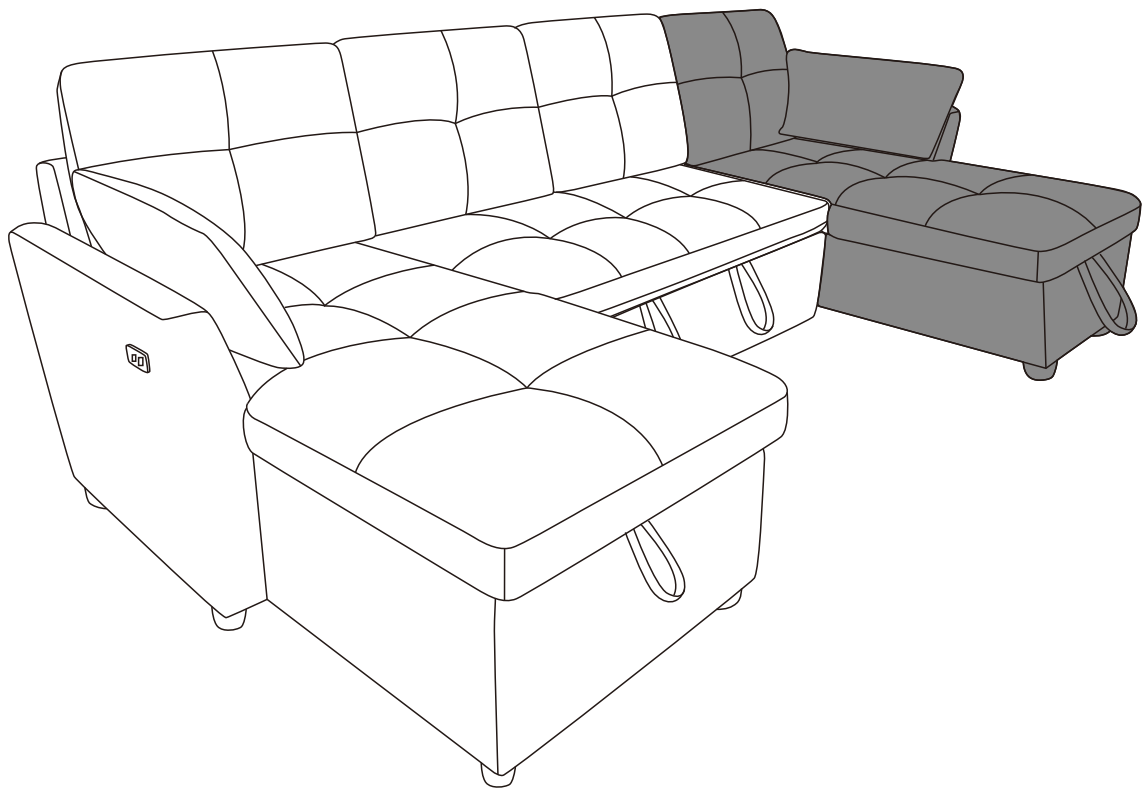
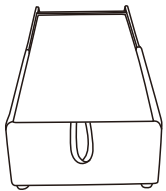
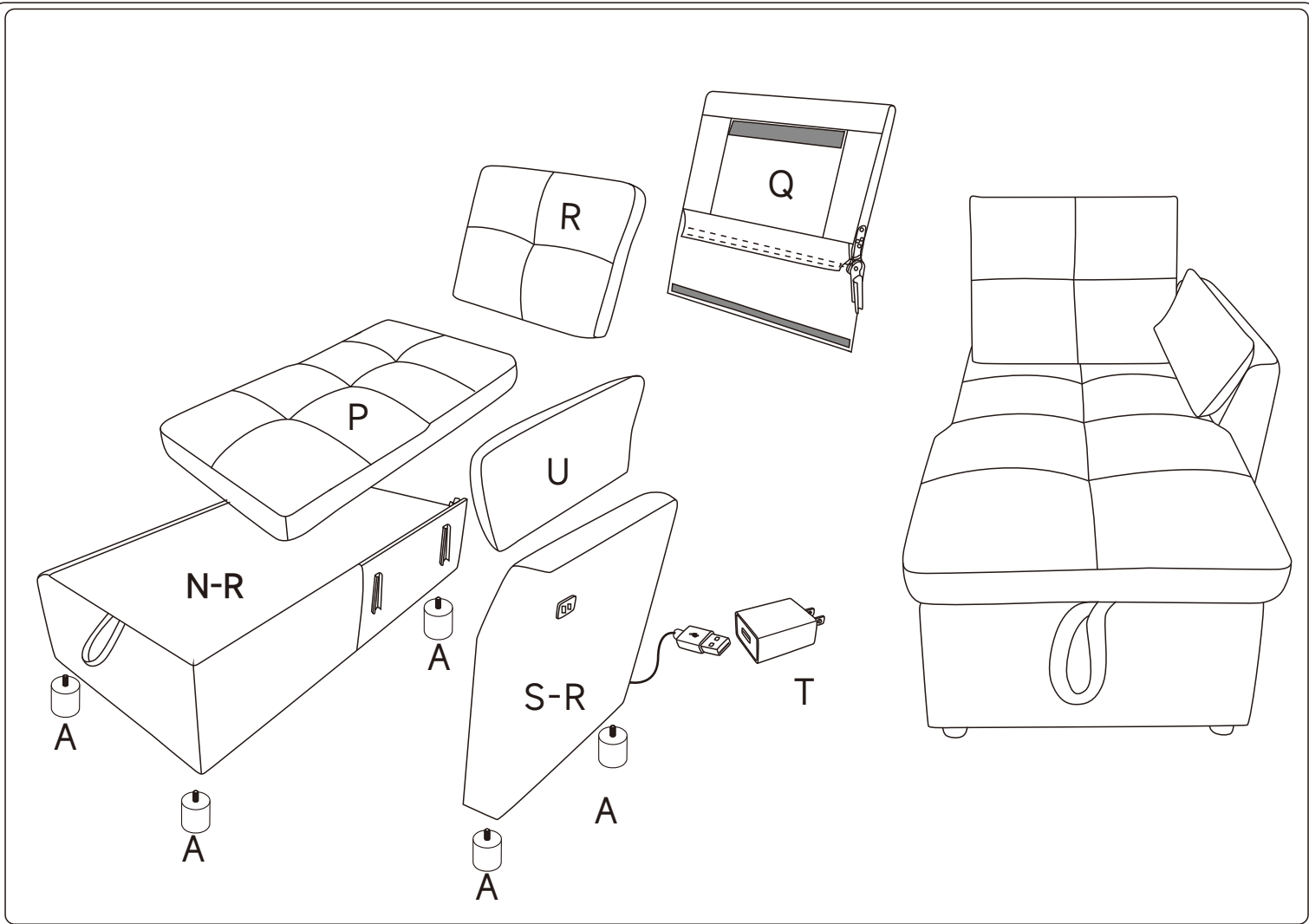


# Installation & Assembly



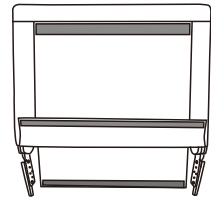
# Components List



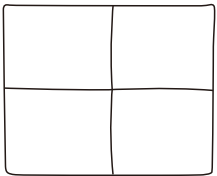
N-RX1



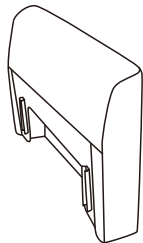
P X1



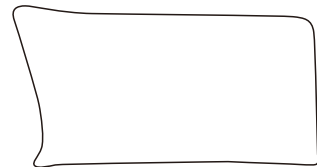
Q X1



R X1

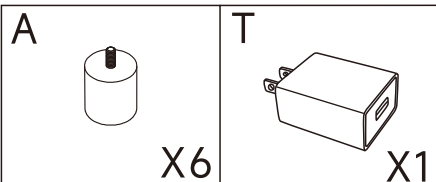


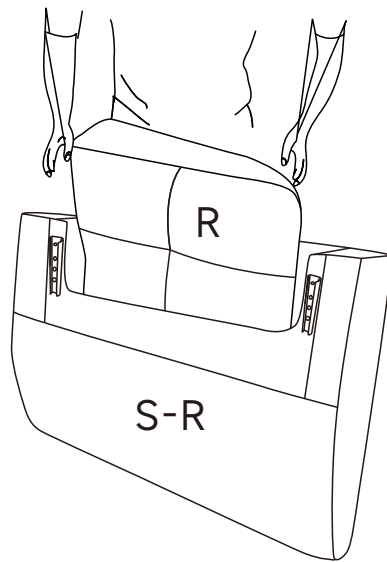
S-R X1



U x1

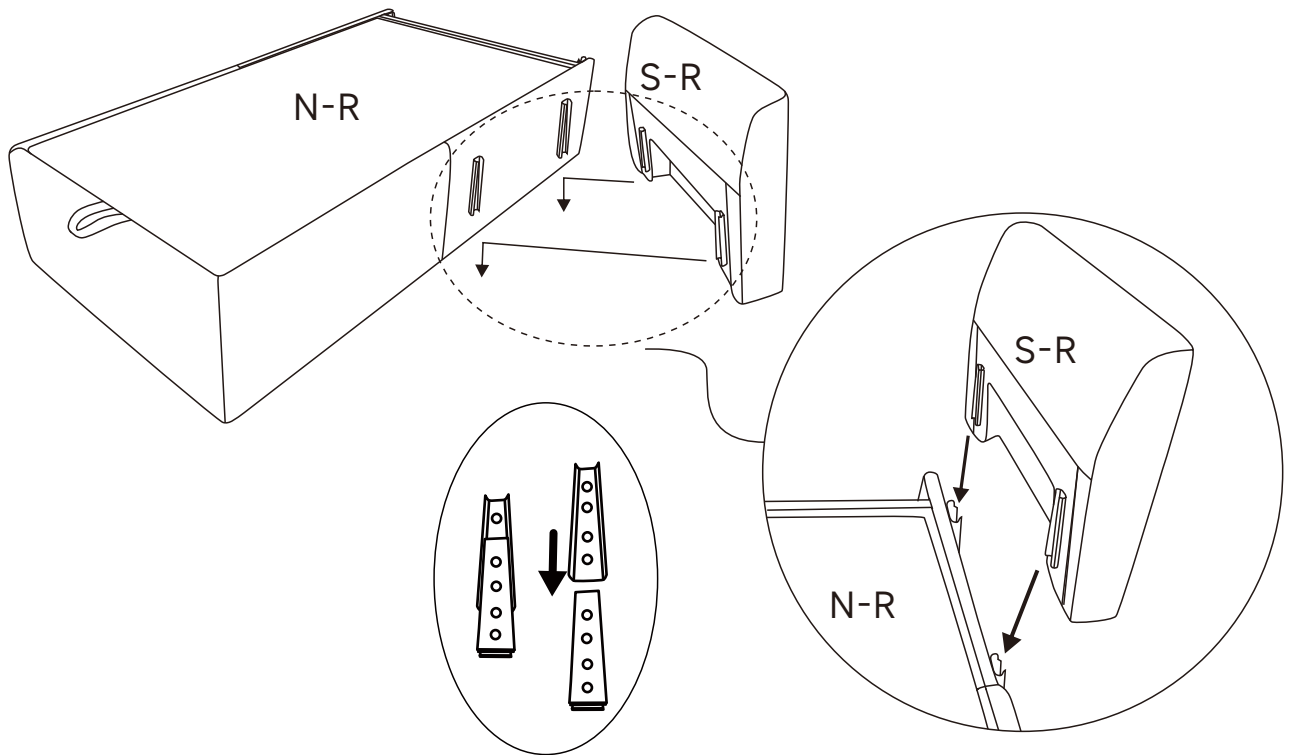
## Hardware List



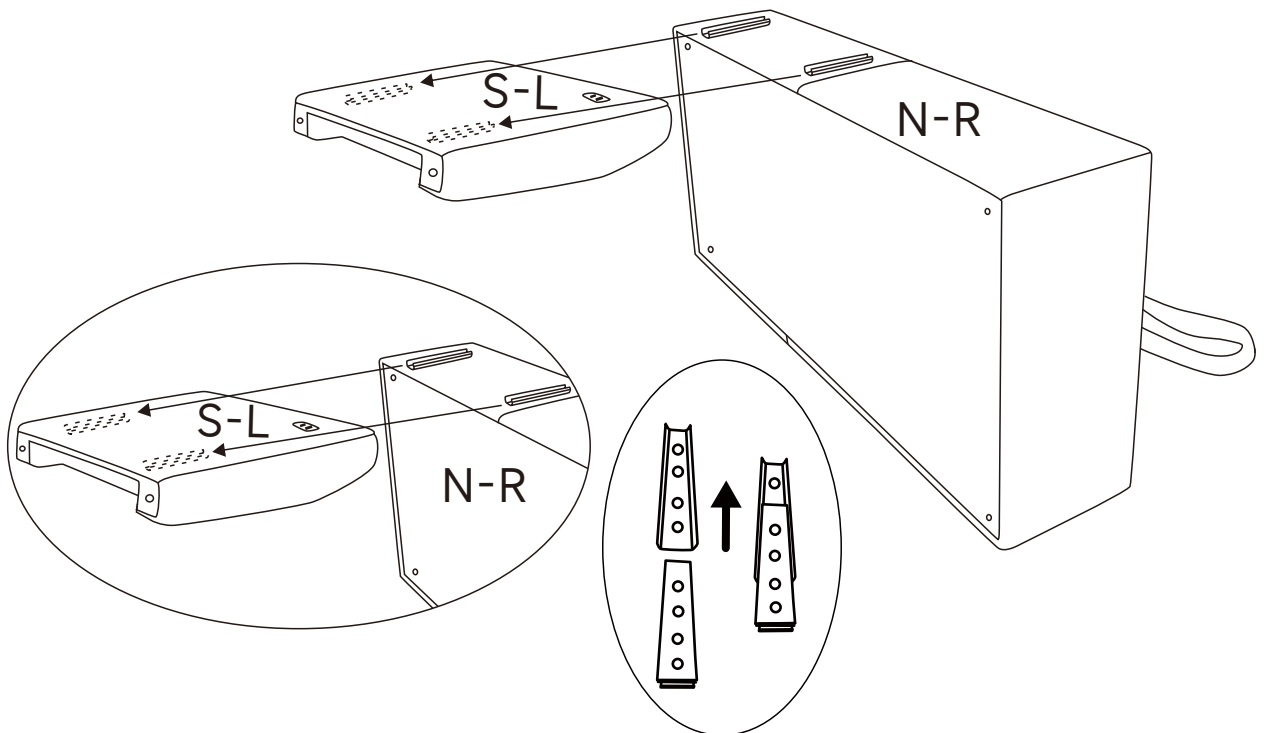


**STEP 1**


**Step1:**



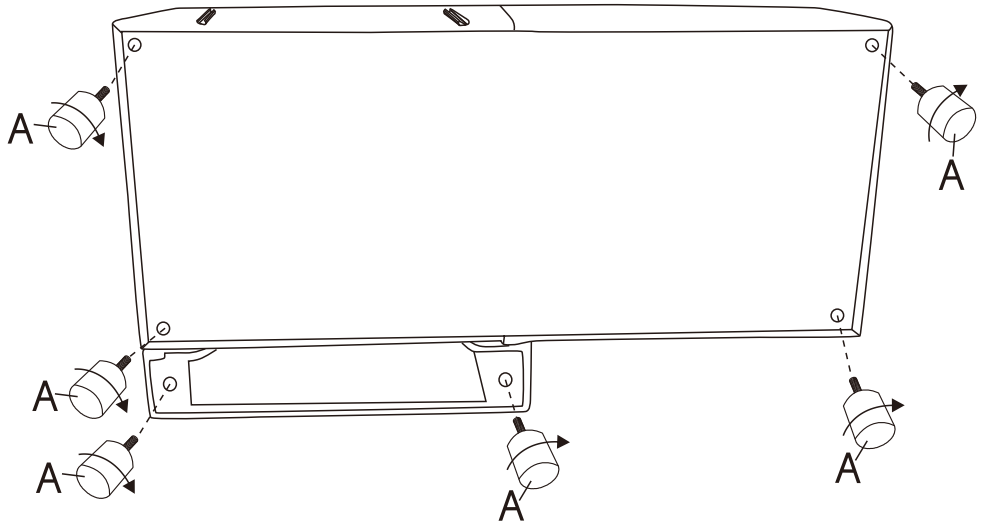
**Step2:**



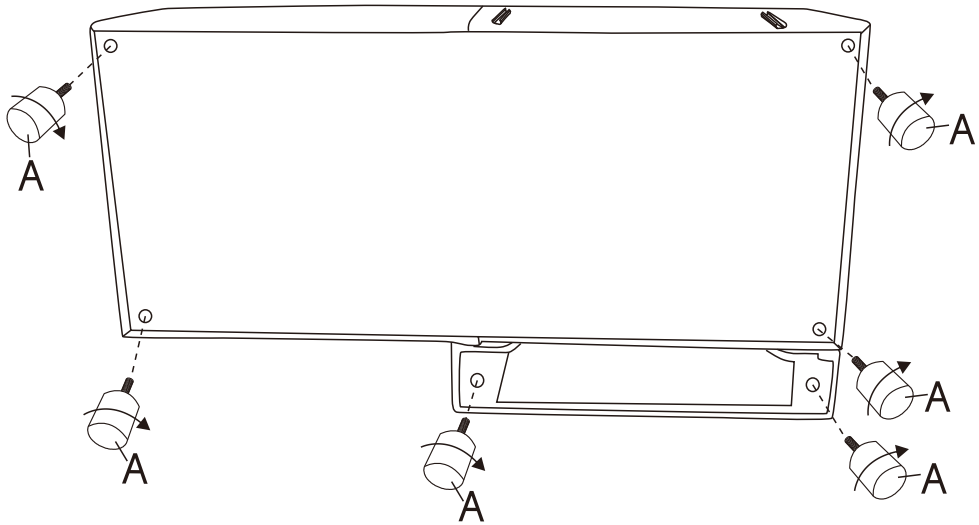
# STEP 2

 Ax6

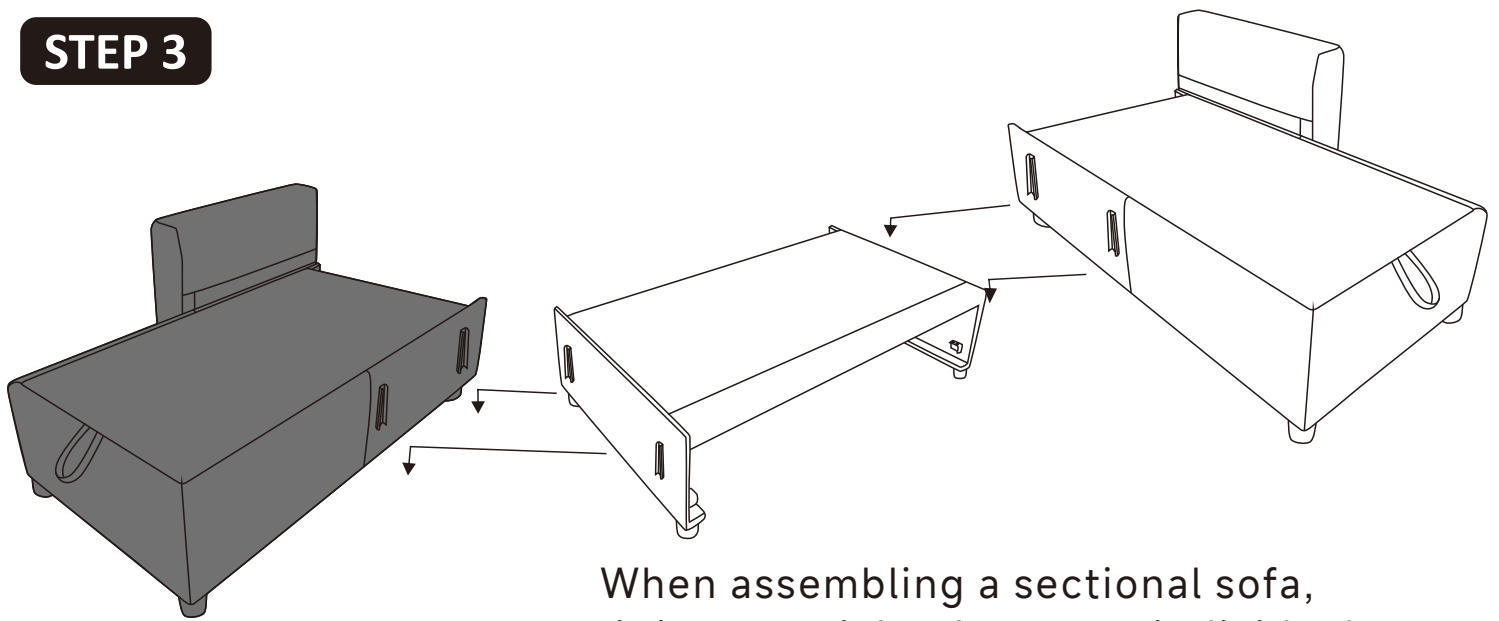
## Step1:



## Step2:



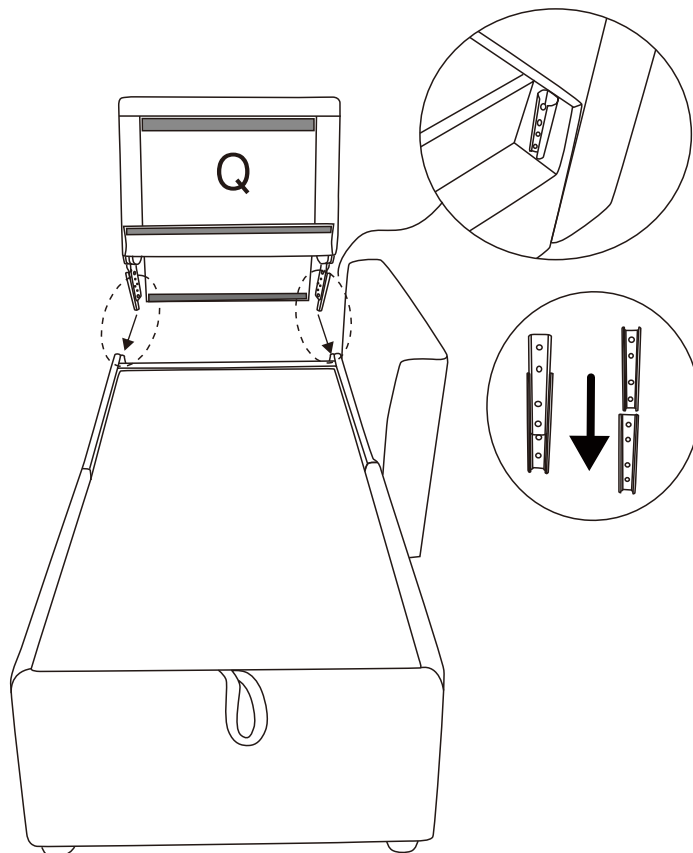
### STEP 3



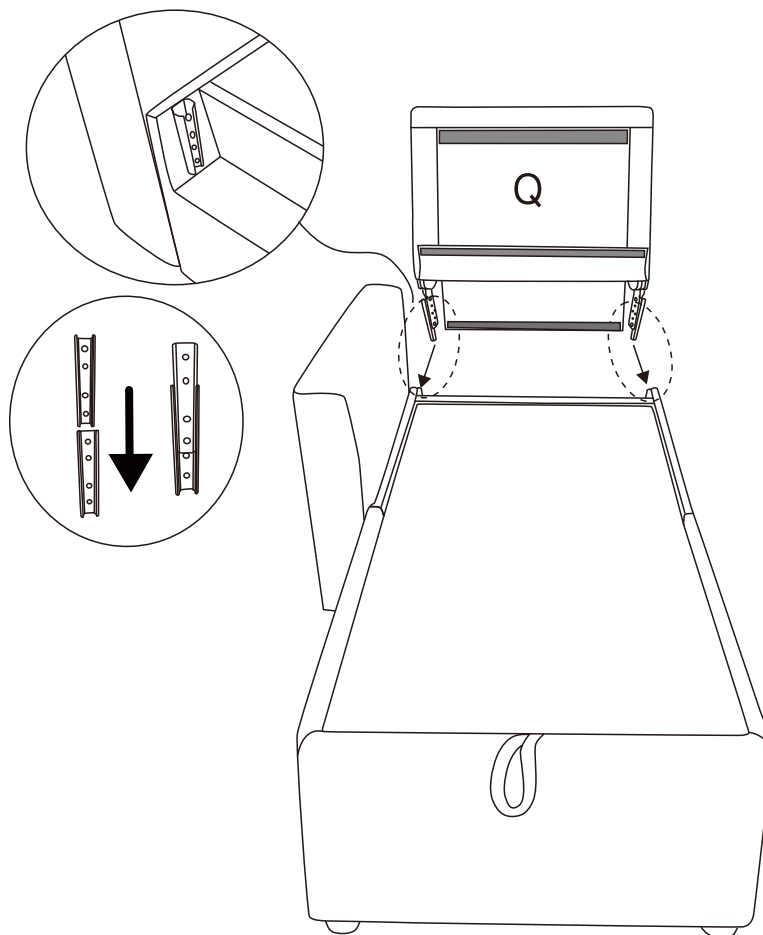
When assembling a sectional sofa, it is essential to have one individual positioned at the rear and another at the front, simultaneously lifting the sofa to securely fasten the components together.

### STEP 4

Step 1:

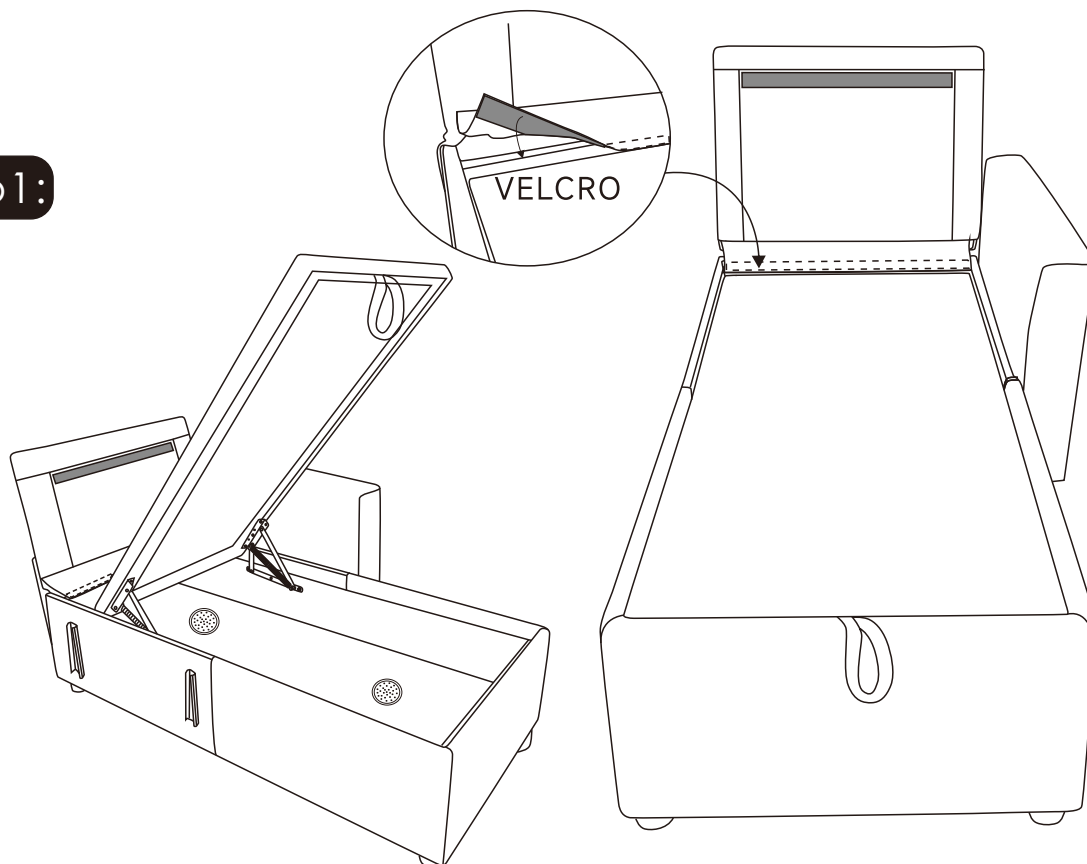


**Step2:**

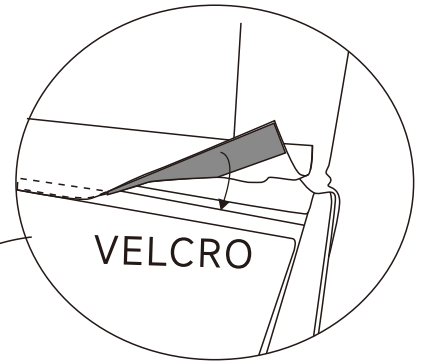
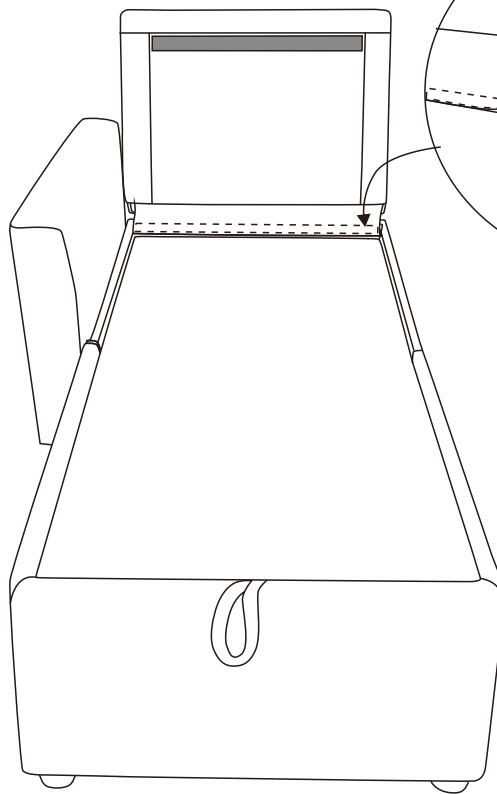
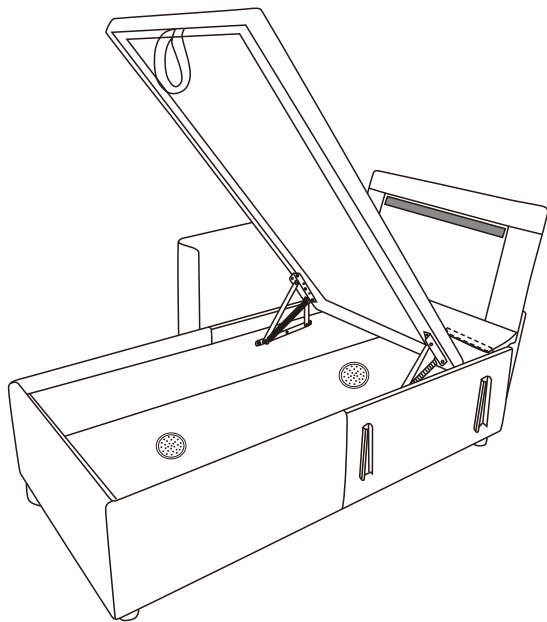


**STEP 5**

**Step1:**

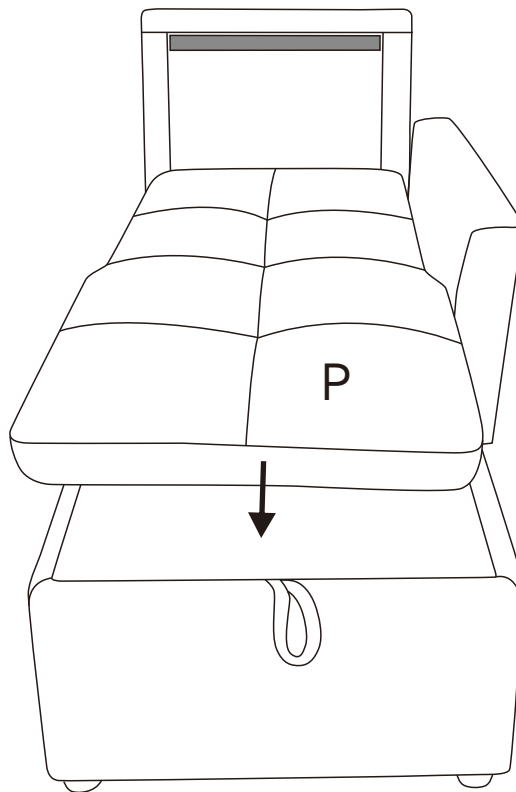


**Step2:**

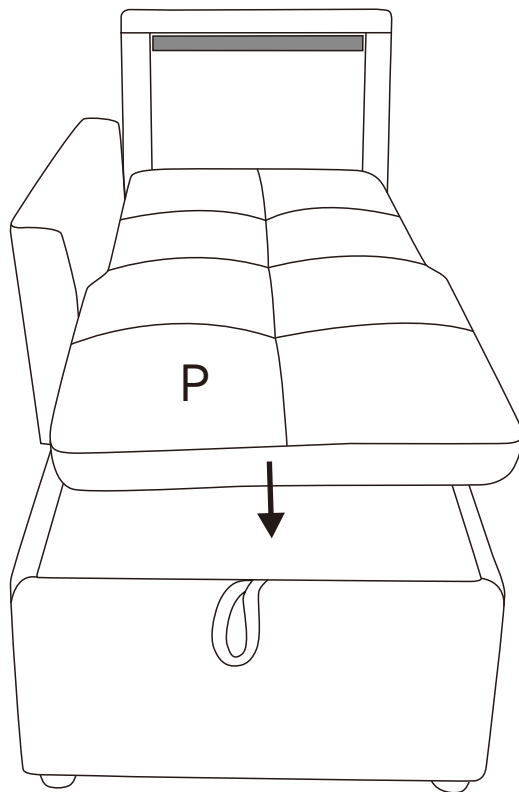


**STEP 6**

**Step1:**

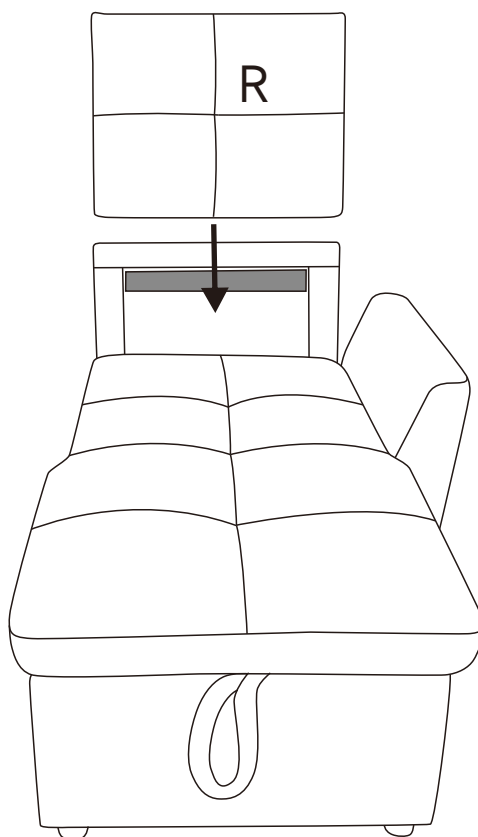


**Step2:**

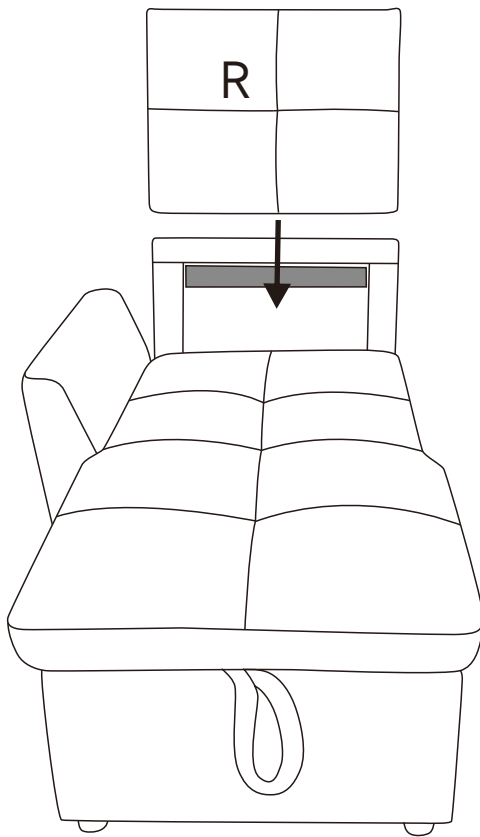


**STEP 7**

**Step1:**

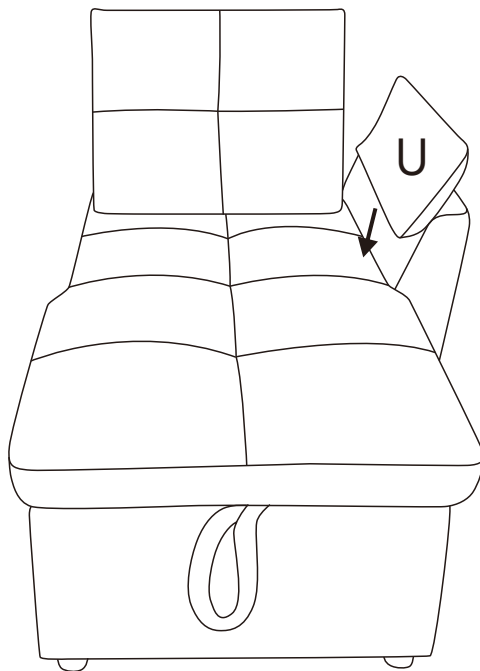


**Step2:**

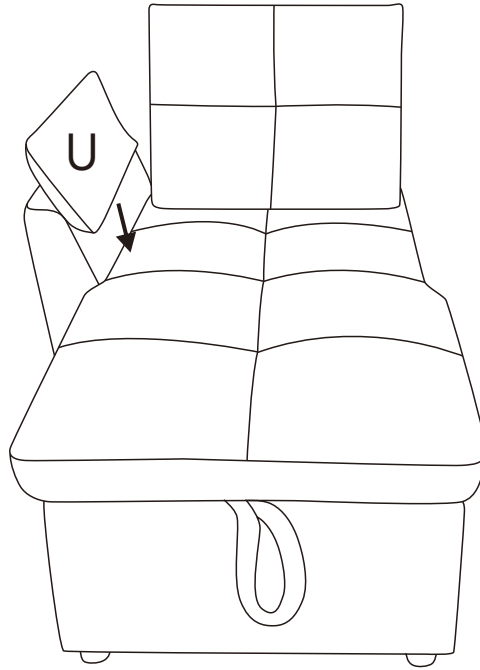


**STEP 8**

**Step1:**

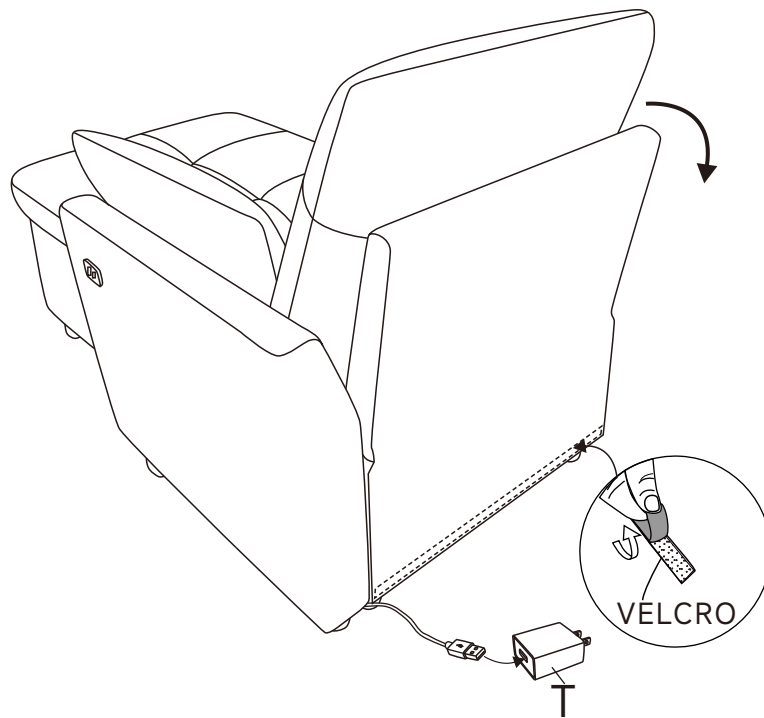


**Step2:**

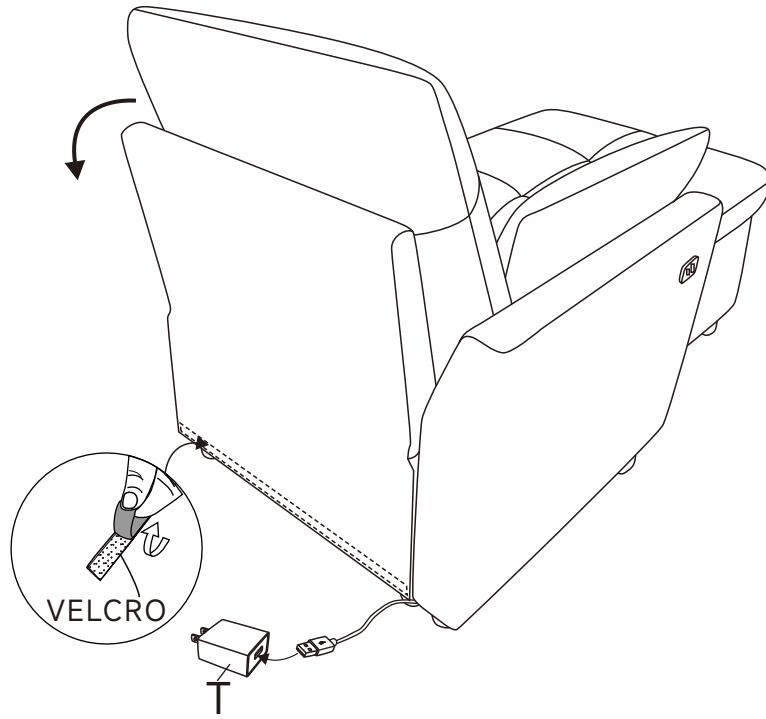


**STEP 9**

**Step1:**

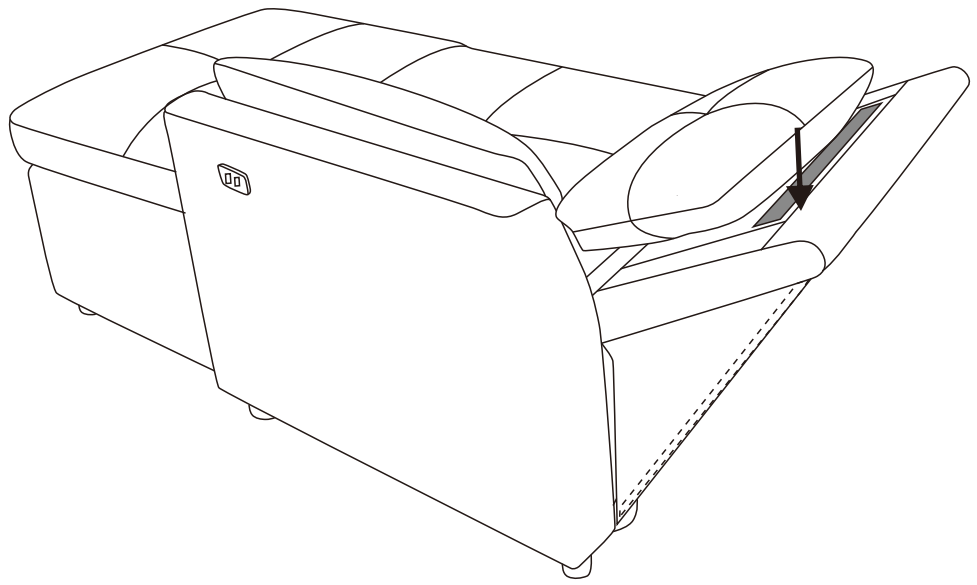
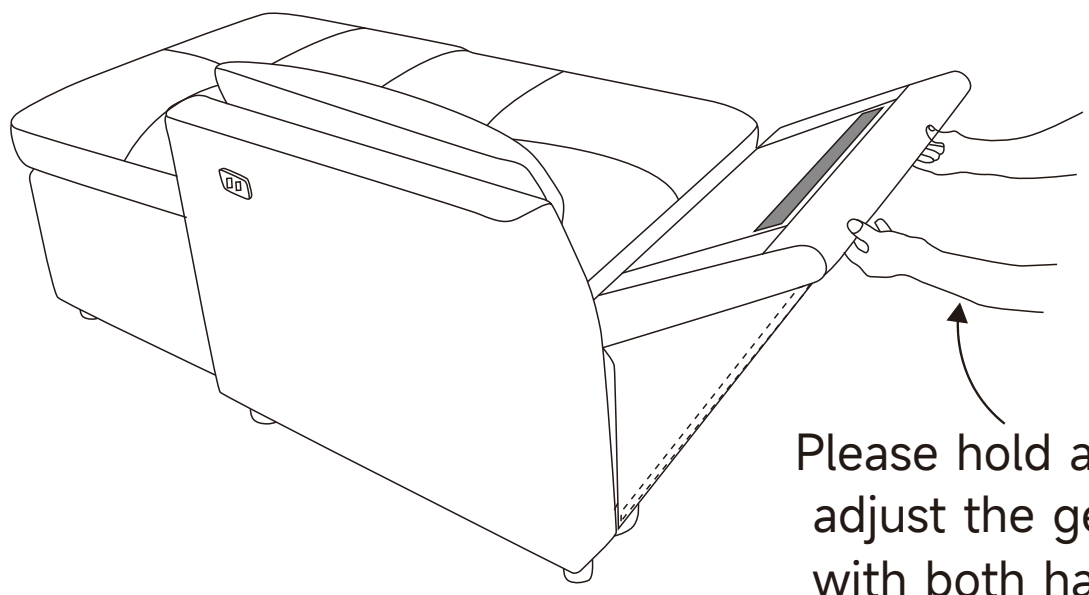


**Step2:**

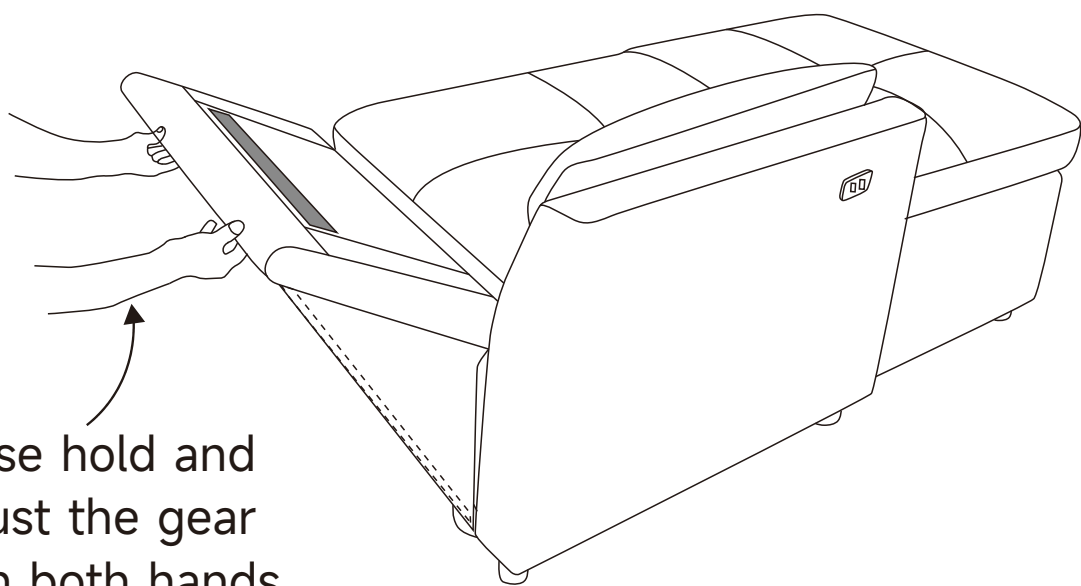


**STEP 10**

**Step1:**



Step2:



Please hold and adjust the gear with both hands.

