

MARQUIS

6532

SIZE
65.32.20-23

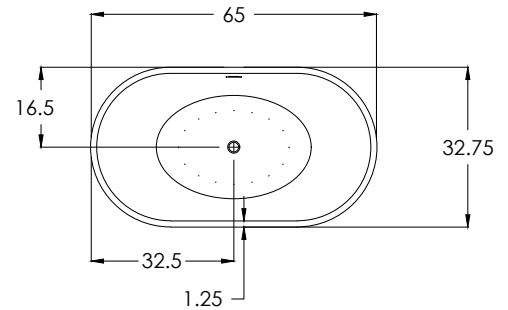
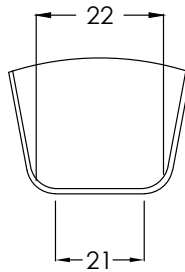
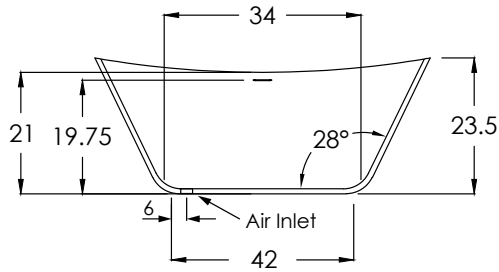
WATER CAPACITY
80 Gallons

WEIGHT
325 Pounds

INSTALLATION
Freestanding

BACK SLOPE
28°

MATERIAL
HydroLuxe SS™



| MODEL | DESCRIPTION |
|---|---|
| MRQ6532HTO | Tub Only |
| MRQ6532HTA | Thermal Air (remote blower required) |
| HYDROLUXE SS™ COLORS | |
| Standard | Almond White Biscuit |
| Premium Colors | Black Carmine Red Concrete Grey Distant Blue Grey Beige Moss Green Orange Brown Pastel Violet Purple Violet Red Orange Sapphire Blue Signal Orange Stone Grey Tarpaulin Grey Terra Brown |
| DUAL COLOR OPTION DUAL.COL.XXX-XXX | |
| Group 1 - White with any color added | |
| Group 2 - two different colors | |
| FINISH | |
| Matte Finish | METRO.MAT |
| Polished Finish | METRO.POL |
| Matte Gloss Combination | METRO.TWOTONE |
| SURFACES (OUTSIDE ONLY) Metallic: Polished Nickel (PN) | |

| MODEL | DESCRIPTION |
|----------------------------|---|
| COLD PLUNGE order form | CLD.PL |
| HYDRO FUSION order form | 29.107 |
| HYDRO INDULGE order form | HYD.IND |
| HYDRO OZONE | INCLUDED ON THERMAL AIR |
| ISLAND TUB DRAIN | ITD.XXX ABS, PVC ITD.ABS ITD.PVC CAST IRON ITD.CST |
| REMOTE CONTROL | INCLUDED ON THERMAL AIR |
| WASTE & OVERFLOW | Linear Integral W/O LWO-XXX WHI, BIS, PC, PB, PN, BC, BB, BN, SC, SB, SN, ORB, PE, MB Gold Finish Upgrade (PG, BG) |
| EXPORT CRATE | FRT.EXPCRT |



Headquarters
29132 Avenue Paine
Valencia, CA 91355

Manufacturing Facility
385 Highway 155 South
McDonough, GA 30253

Technical Support
support@hydrosystem.com

Orders Department
orders@hydrosystem.com

General Information
info@hydrosystem.com

Phone: 661-775-0686

Website: hydrosystem.com

CODES AND COMPLIANCES

Massachusetts code File no: P1-0614-491



All specifications and options subject to change without notice please contact a hydro systems representative for more information.

MARQUIS

6532



STANDARD COLORS



PREMIUM COLORS



CUSTOM COLOR

Hydro Systems can match virtually any color including RAL and Pantone



WELLNESS OPTIONS



Cold Plunge
Revitalizing cold hydrotherapy into a traditional tub



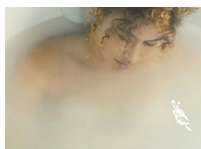
Advanced UV system
Ozone and UV light helps to disinfect the water and keep it clean



Thermal Air
Tiny bubbles into the bathwater and offers untold relaxing benefits, similar to Swedish massage



Hydro Fusion
Totally silent operation maintains ideal temperature without adding hot water constantly



Hydro Indulge
A concentrated dose of oxygen-rich molecules cleanse and restore skin



Tower
Ideal solution adding systems or roman tub faucet to a freestanding bathtub.

OTHER OPTIONS

Additional options can be found on our website



Integral Waste and Overflow
Seamless built-in protection for bathtub (included)



Island Tub Drain
Asymmetrical 18 Gauge Epoxy coated Metal Deck Flange makes installation in tight spaces easier.

ELECTRICAL REQUIREMENTS

All electrical information can be found on our website

INSTALLATION VIDEOS

All installation videos can be found on our website

Installation Tips:

- When adding Thermal Air, blower must be remotely located



HYDRO SYSTEMS



Headquarters
29132 Avenue Paine
Valencia, CA 91355

Manufacturing Facility
385 Highway 155 South
McDonough, GA 30253

Technical Support
support@hydrosystem.com

Orders Department
orders@hydrosystem.com

General Information
info@hydrosystem.com

Phone: 661-775-0686

Website: hydrosystem.com

CODES AND COMPLIANCES

Massachusetts code File no: P1-0614-491



All specifications and options subject to change without notice please contact a hydro systems representative for more information.