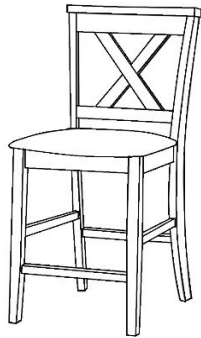









ASSEMBLY INSTRUCTIONS



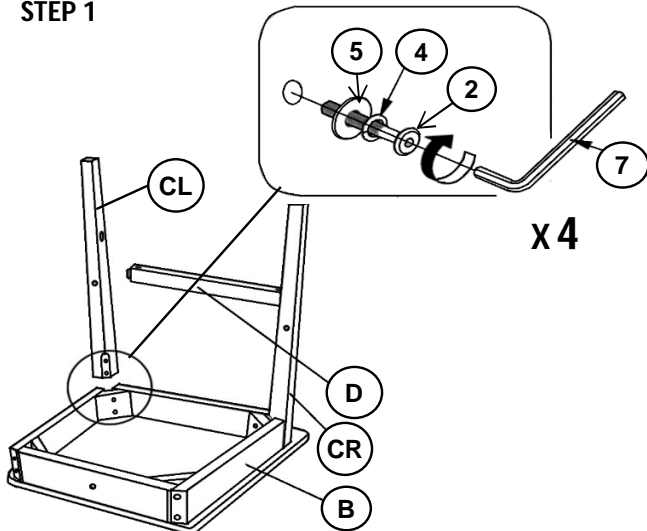
PARTS LIST

ITEM	DESCRIPTION	QTY
A	CHAIR BACK	1 PC
B	BOX FRAME WITH CUSHION SEAT	1 PC
C	FRONT LEG L&R	2 PCS
D	FRONT STRETCHER	1 PC
E	SIDE STRETCHER L&R	2 PCS

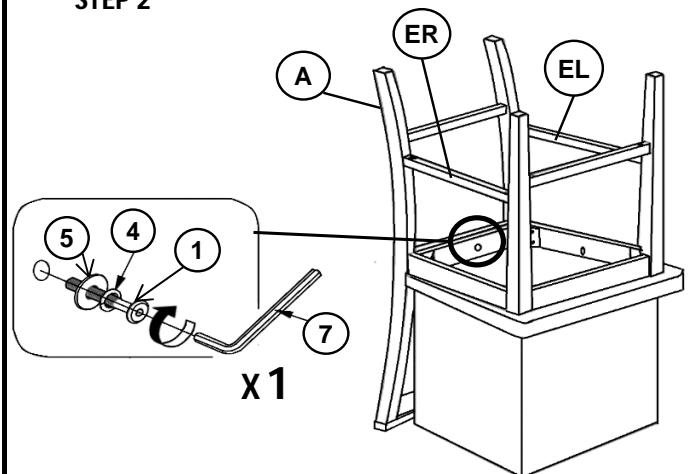
HARDWARE LIST

ITEM	DESCRIPTION	QTY
1	JCBC M6 X 35MM 	1 PC
2	JCBC M6 X 60MM 	4 PCS
3	JCBC M6 X 80MM 	4 PCS
4	SPRING WASHER 	9 PCS
5	FLAT WASHER 	9 PCS
6	CSK M4 X 38MM 	6 PC
7	M4 ALLEN KEY 	1 PC

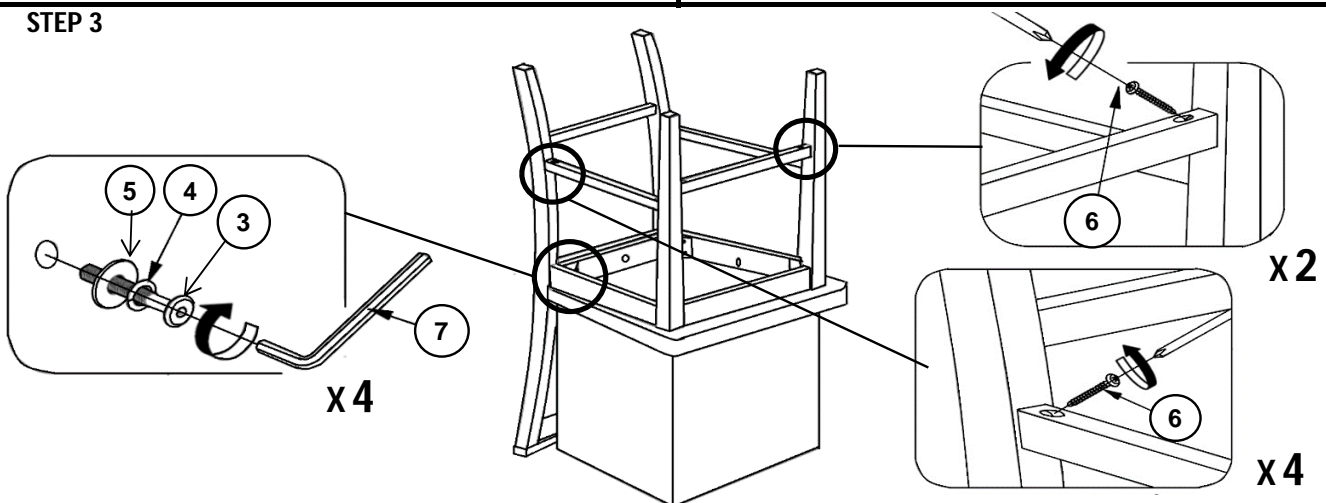
STEP 1



STEP 2



STEP 3



CARE AND MAINTENANCE

The touch of a soft cloth is all the maintenance your wood pieces will ever need. Never use harsh chemicals or abrasive cleaners, as they could mark or destroy finish.

Bolts, screws and nuts may loosen during everyday use. They should be periodically inspected and re-tightened. Always visually check that all hardware on the list is attached and kept tightened.