

# ASSEMBLY INSTRUCTION

(1/3) VT-Reversible 2-seater with pull-out bed  
(Backrest and Pillow are stored in carton)

(2/3) VC-Reversible chaise with hidden storage.

(3/3) A-Two arms

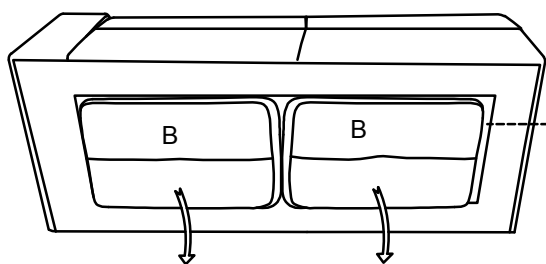


Legs and hardware are stored in the box, please take out for assembly

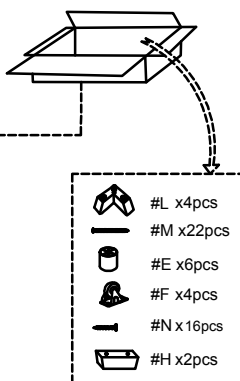
**NOTE:** Do not use power tools for assembly. Power tools increase the risk of over tightening which lead to splitting or crcking the wood.

Location of KD parts

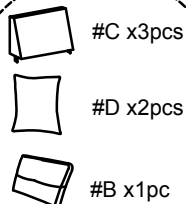
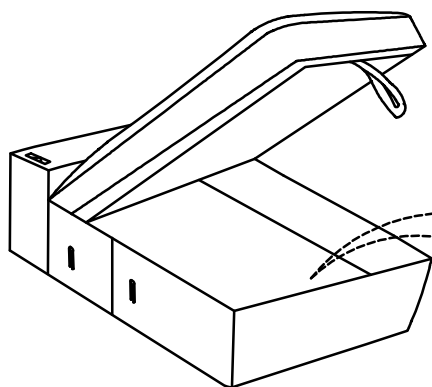
VT



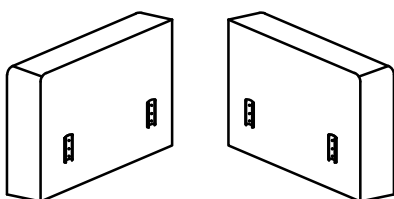
LEG+HARDWARE BOX



VC



A



## 2-SEATER PART LIST

No.	Description	Diagram	Quantity
A	LOVESEAT		1
B	BACK CUSHION		2
C	BACK REST <small>Packed in -VC</small>		2
D	PILLOW <small>Packed in -VC</small>		1
E	ROUND PLASTIC LEGS		4
F	CASTER		4

## CHAISE PART LIST

No.	Description	Diagram	Quantity
G	CHAISE		1
B	BACK CUSHION		1
C	BACK REST		1
D	PILLOW		1
E	ROUND PLASTIC LEGS <small>Packed in -VT</small>		2
H	PLASTIC LEGS <small>Packed in -VT</small>		2

## ARM PART LIST

No.	Description	Diagram	Quantity
I	LEFT ARM		1
K	RIGHT ARM		1
L	CORNER PLASTIC LEGS <small>Packed in -VT</small>		4

## HARDWARE LIST

No.	Description	Diagram	Quantity
M	SCREW M5 x 50MM <small>Packed in -VT</small>		22
N	SCREW M4 x 25MM <small>Packed in -VT</small>		16



Not Included

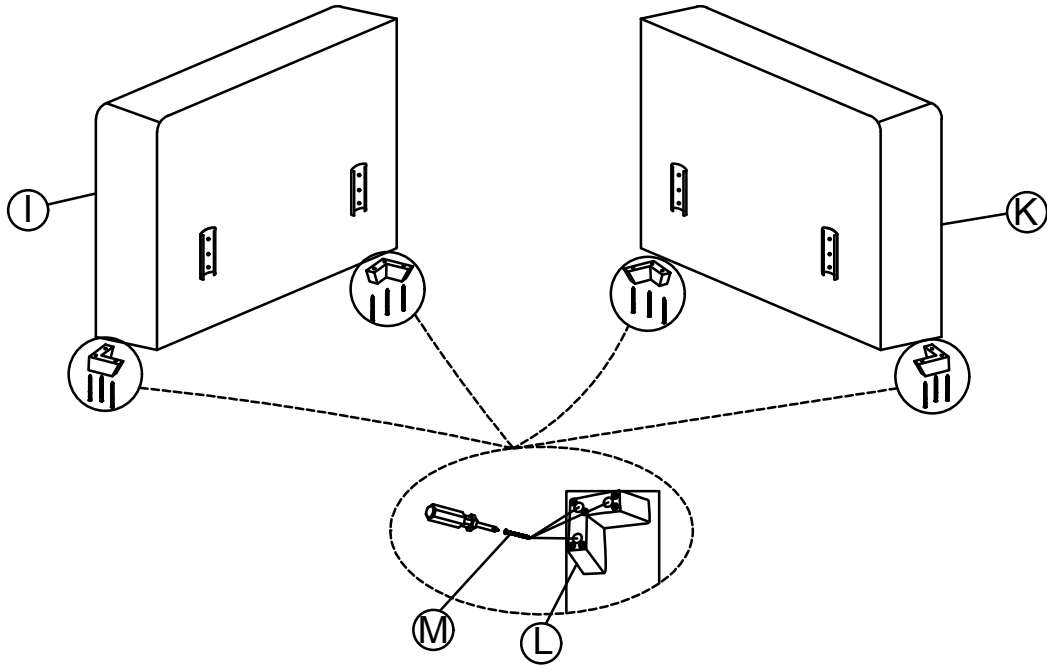
# ASSEMBLY INSTRUCTION

(1/3) VT-Reversible 2-seater with pull-out bed  
(Backrest and Pillow are stored in carton)

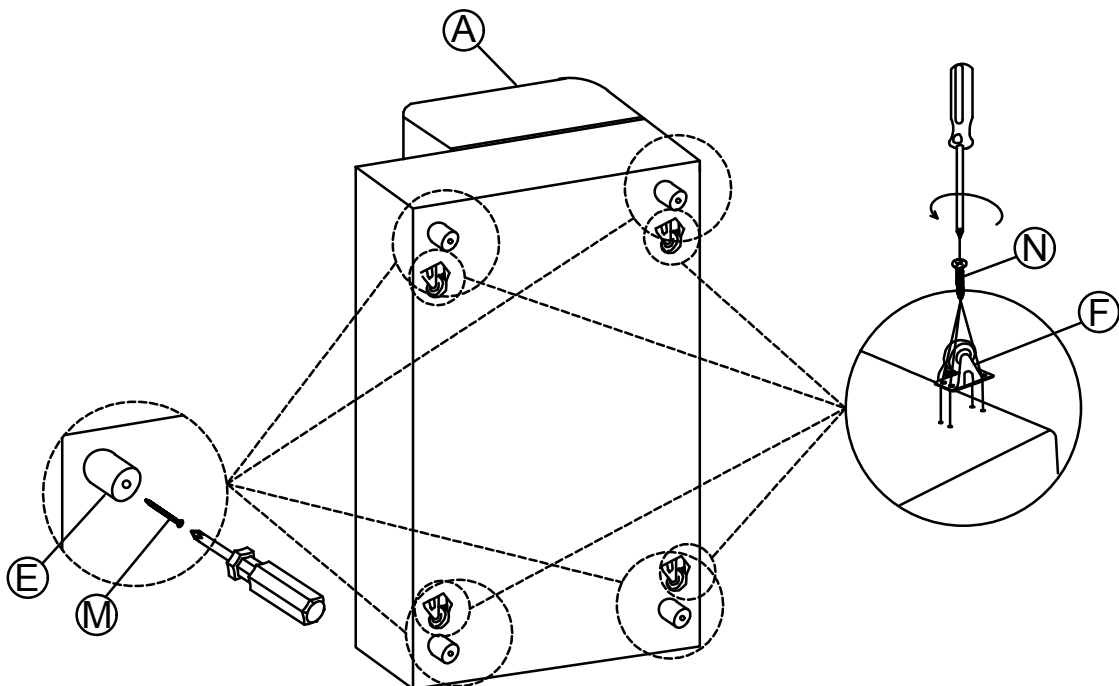
(2/3) VC-Reversible chaise with hidden storage.

(3/3) A-Two arms

## STEP 1



## STEP 2



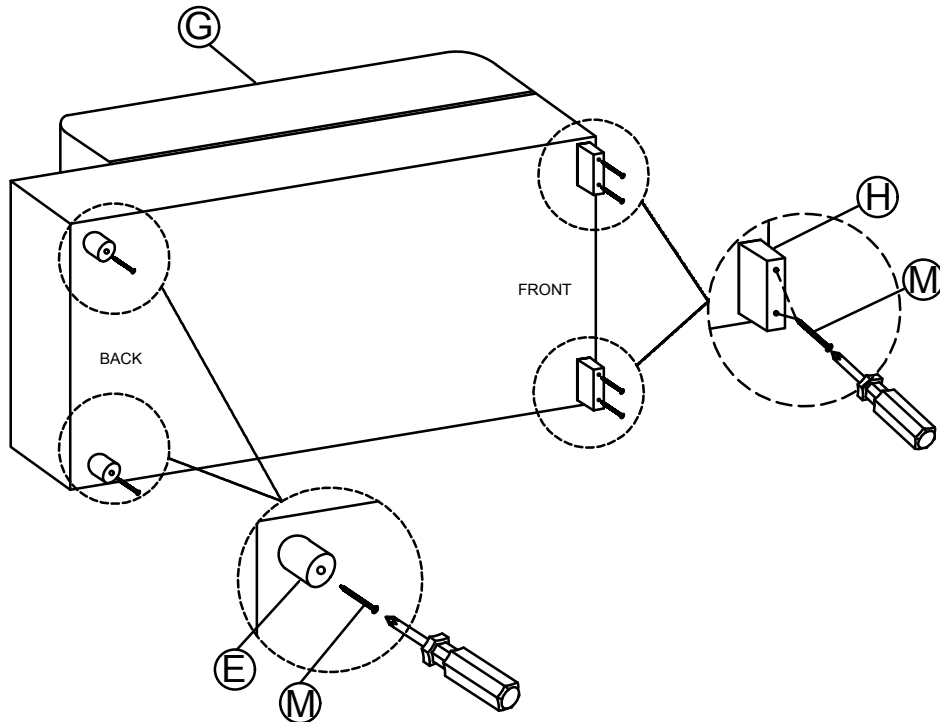
## ASSEMBLY INSTRUCTION

(1/3) VT-Reversible 2-seater with pull-out bed  
(Backrest and Pillow are stored in carton)

(2/3) VC-Reversible chaise with hidden storage.

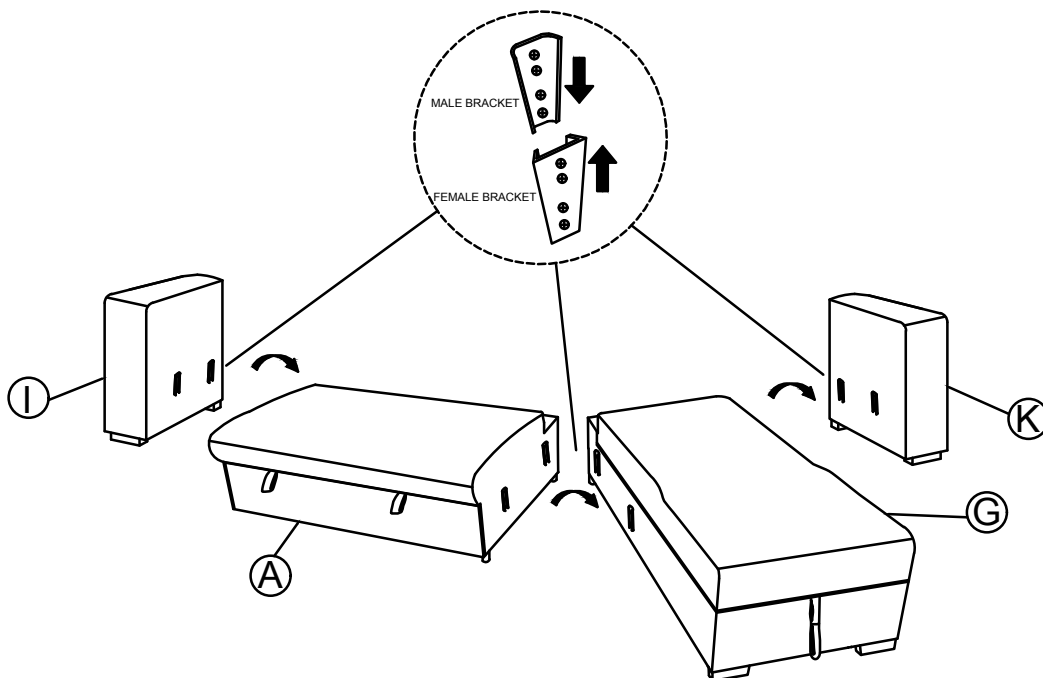
(3/3) A-Two arms

### STEP 3



### STEP 4

Please note the positions of Loveseeat (A) and Chaise (G) can be changed/ reversible

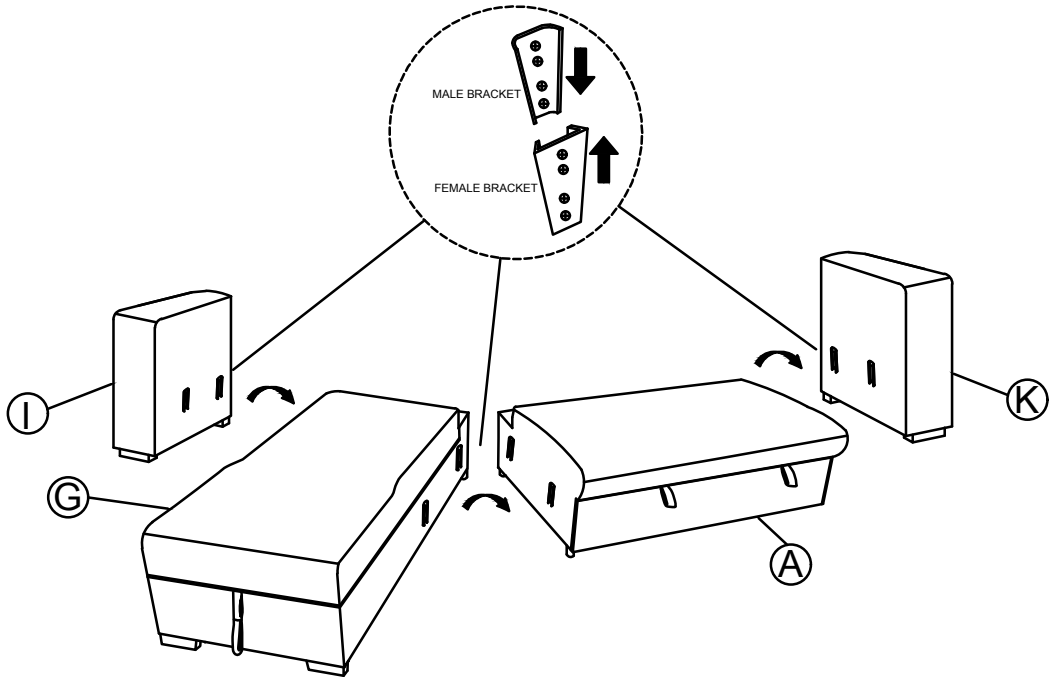


# ASSEMBLY INSTRUCTION

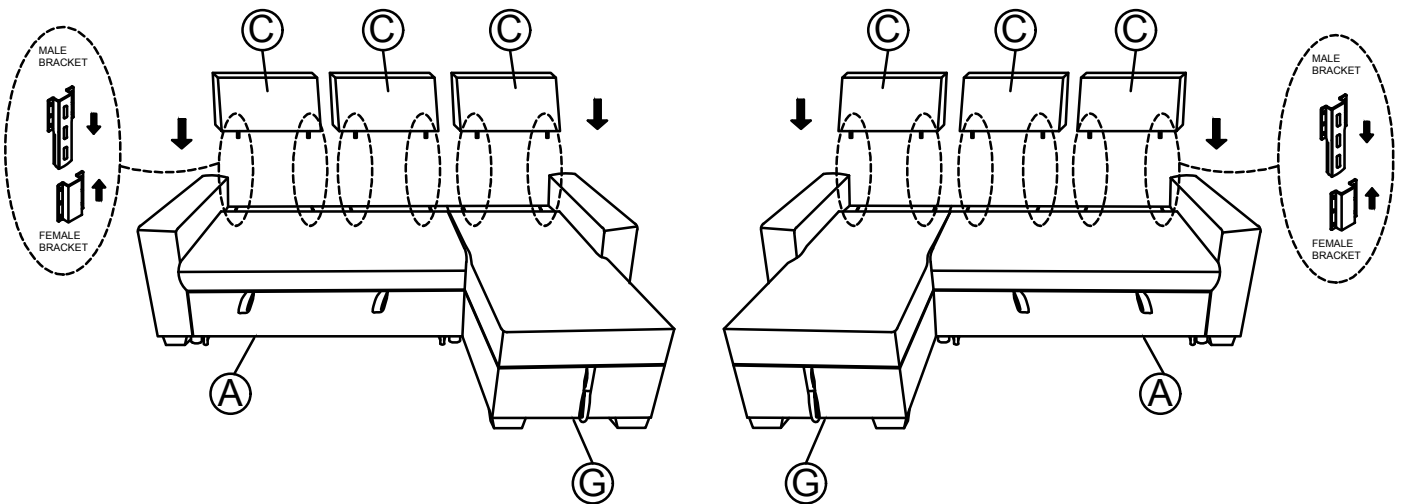
(1/3) VT-Reversible 2-seater with pull-out bed  
(Backrest and Pillow are stored in carton)

(2/3) VC-Reversible chaise with hidden storage.

(3/3) A-Two arms



## STEP 5



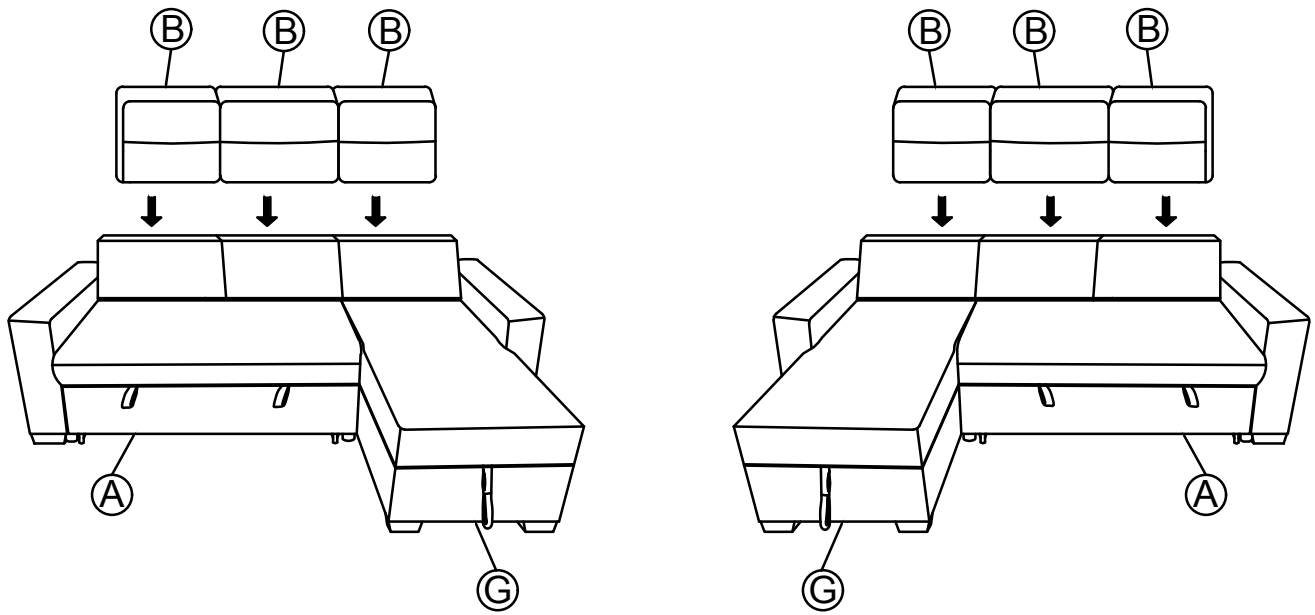
## ASSEMBLY INSTRUCTION

(1/3) VT-Reversible 2-seater with pull-out bed  
(Backrest and Pillow are stored in carton)

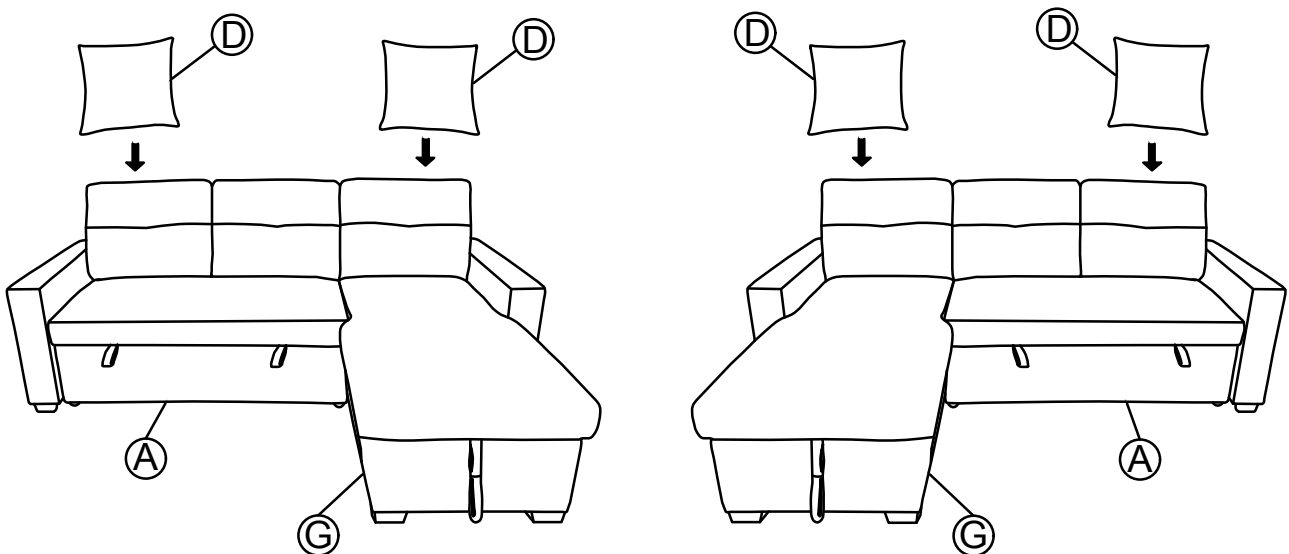
(2/3) VC-Reversible chaise with hidden storage.

(3/3) A-Two arms

### STEP 6



### STEP 7



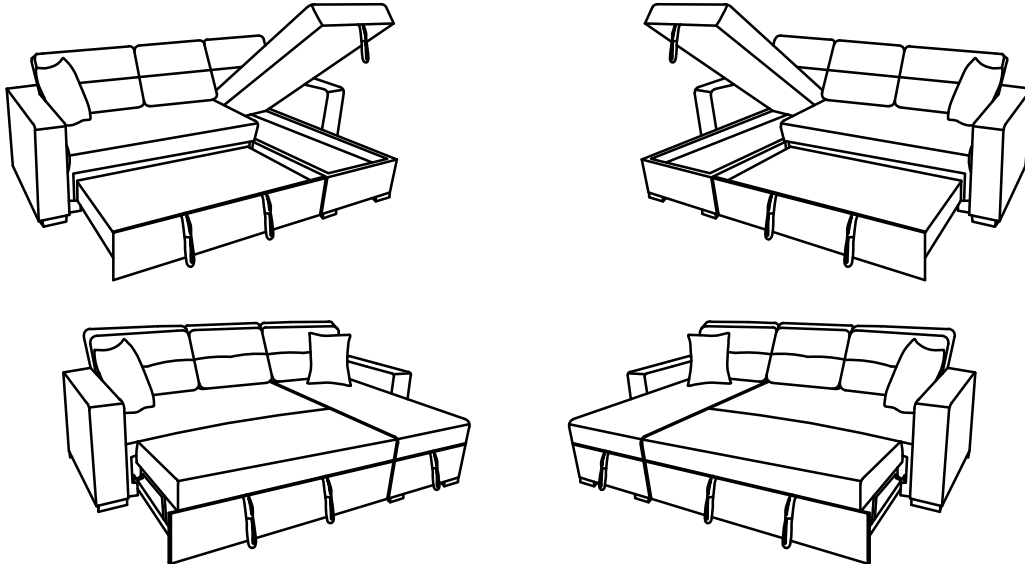
## ASSEMBLY INSTRUCTION

(1/3) VT-Reversible 2-seater with pull-out bed  
(Backrest and Pillow are stored in carton)

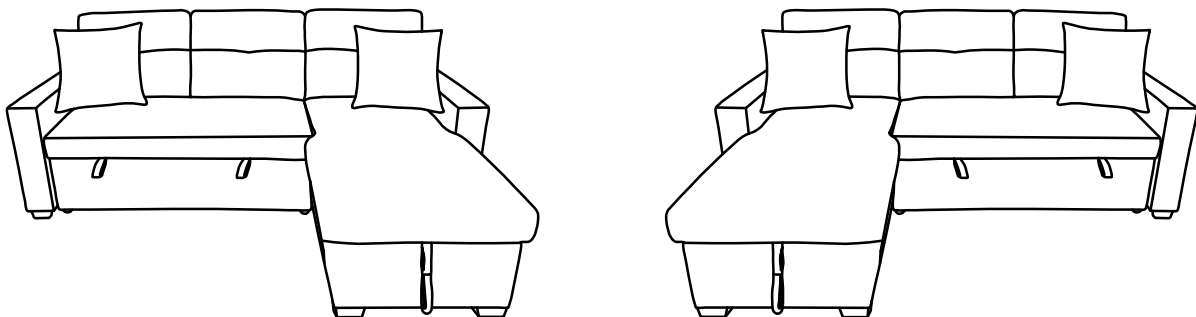
(2/3) VC-Reversible chaise with hidden storage.

(3/3) A-Two arms

### STEP 8




Completed.



### Care Instruction for Fabric Furniture:

In order to maintain the original appearance of your Fabric furniture, please follow below simple care procedures:

- Avoid exposing furniture directly to sunlight or heating and air conditioning outlets. Sunlight and or exposure to heating and air conditioning outlets will fade/damage Fabric.
- Vacuum or wipe with a soft cloth to remove dust.
- Hardware may loosen over time. Periodically check to make sure all connections are tight, Re-tighten if necessary.

 For item use on wooden floor, hard surfaces, or carpets, it is recommended to install protective pads under all legs and supports to avoid/prevent from damages/scratches and discoloration.