

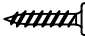


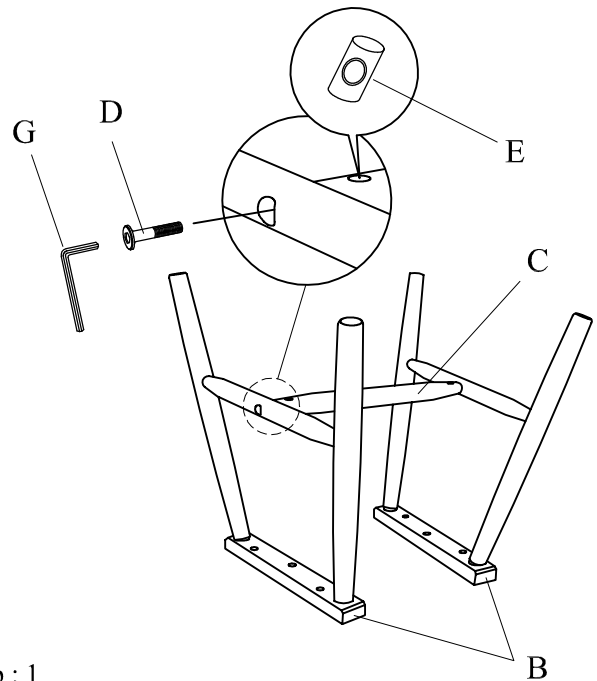


# ASSEMBLY INSTRUCTION

## SIDE CHAIR

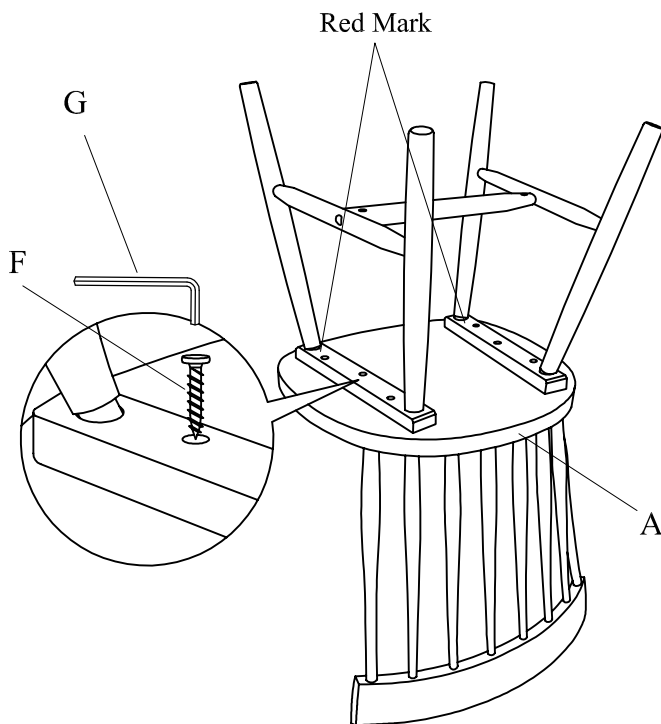
No	Part List ( Each Chair )	Qty
A	Chair Back	1
B	Legs Frame	2
C	Stretchers	1

No	Hardware List ( Each Chair )	Qty
D	JCBC Bolt M6 x 50 mm 	2
E	Barrel Nut 	2
F	JCBC Screw M7 x 35mm 	6
G	Allen Key 	1
H	Wood Button 	2



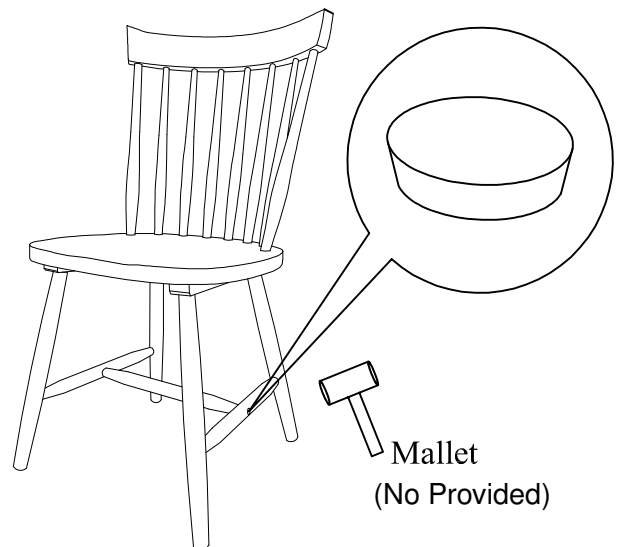
### Step : 1

Insert barrel Nut ( E ) into holes on stretcher ( C ) and assemble stretcher ( C ) using JCBC Bolts ( D ) in line with barrel nut ( E ) and Allen Key ( G ) .  
( Do not tighten yet. )



### Step : 2

Position the frame assembly into the bottom of chair seat. Align and tighten bolt chair seat and frame using the JCBC Screw ( F ) with Allen Key ( G ) . \*\*\*  
Front legs with **RED MARK** must facing front .



### Step : 3

Please tighten all the JCBC Bolt & Screw then insert the Wood Button ( H ) to the bottom stretcher for cover the hole. ( Mallet not provided )

**CONGRATULATION !**  
**YOUR CHAIR IS NOW READY FOR USE.**

\*\* MUST TIGHTEN SCREW PERIODICALLY WITH USE SCREW WILL BECOME LOOSE.  
CHECK TIGHTNESS OF ALL SCREW EVERY 6-8 WEEKS.