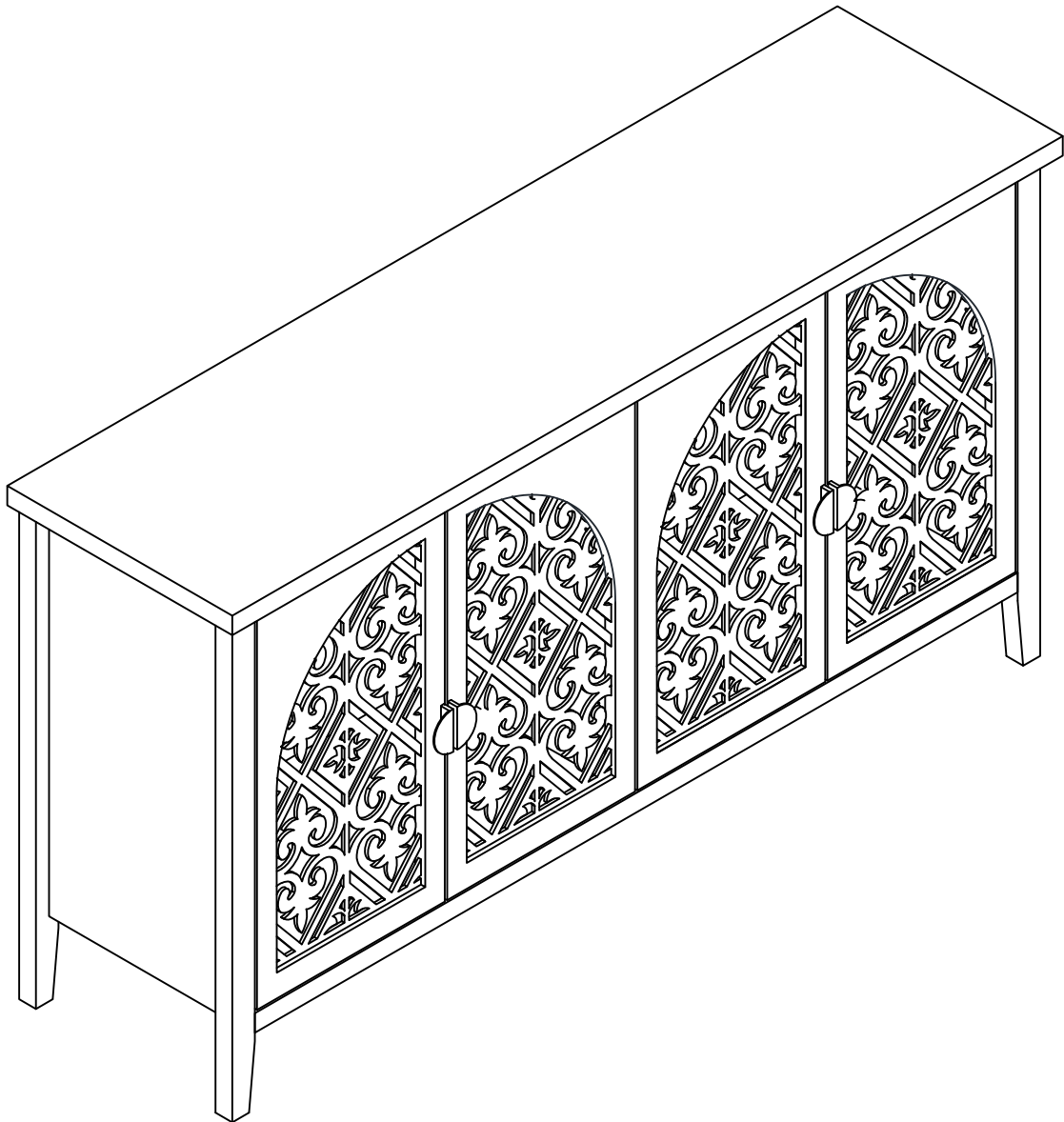


Installation Instruction



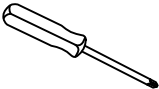
Product name

4 Door Cabinet

Assembling

What you need

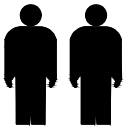
- Use the packaging carton as a working surface to prevent product damage during assembly
- Phillips head screwdriver



Weight Limitation



50 | **22**
lbs table top | lbs per shelf



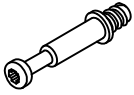
2 PERSONS

What ' s included

Code	Description	Qty
A	Cam Bolt M6X35mm	30
B	Cam Lock 15X10mm	30
C	Wooden Dowel M6X30mm	16
D	Screw M4X35mm	8
E	Big Hinge	4
F	Screw M4X14mm	6
G	Nylon Strap	2
H	Anchor M6x30mm	2
I	Plastic Corner Support	16
J	Screw M3X16MM	16
K	Small Hinge	4
L	Screw M4X14mm	52
M	Metal Pin	1
N	Plastic Door Catcher	2
O	Bolt M4X22mm	8
P	Handle	4
Q	Metal Support	8

The hardware

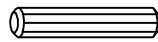
(A)



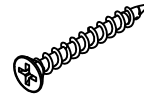
(B)



(C)



(D)



(E)



(F)



(G)



(H)



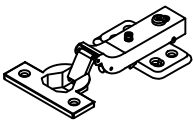
(I)



(J)



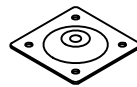
(K)



(L)



(M)



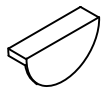
(N)



(O)



(P)

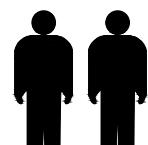


(Q)



IMPORTANT:

1. Do not tighten bolts / screws completely until all bolts / screws are lined up and inserted into holes.
2. Do not over tighten screws and bolts to avoid stripping.
3. Please use hand tools to assemble this product. Do not use power tools.
4. Must need 2 people to assemble this product.

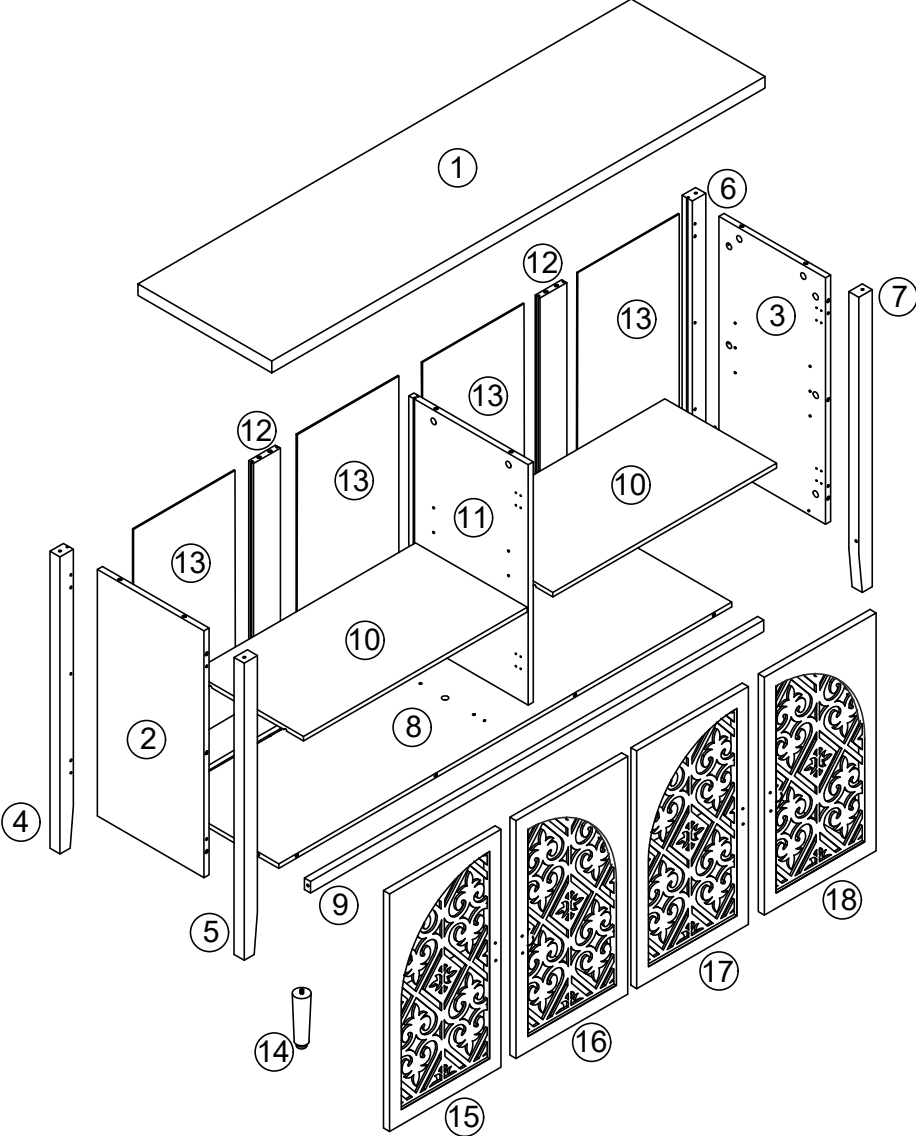


2 PERSONS

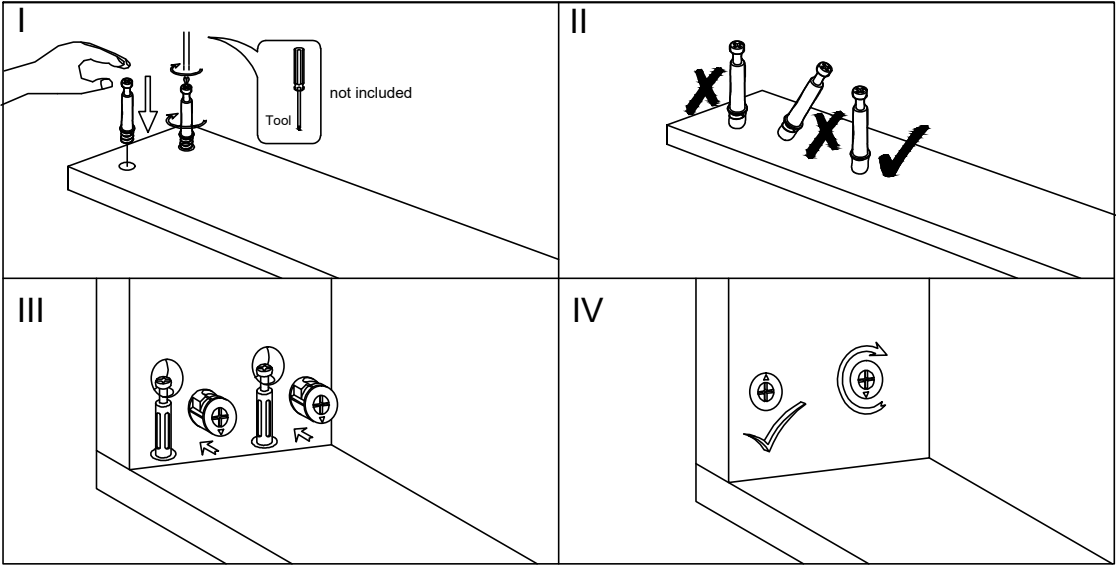
Included Accessories

Code	Description	Qty
1	Cabinet Top	1
2	Left Side Panel	1
3	Right Side Panel	1
4	Left Back Leg	1
5	Left Front Leg	1
6	Right Back Leg	1
7	Right Front Leg	1
8	Bottom Panel	1
9	Lower Front Stretcher	1
10	Shelf	2
11	Middle Division Panel	1
12	Vertical Back Stretcher	2
13	Back Panel	4
14	Middle Foot	1
15	Left Door of Left Side	1
16	Right Door of Left Side	1
17	Left Door of Right Side	1
18	Right Door of Right Side	1

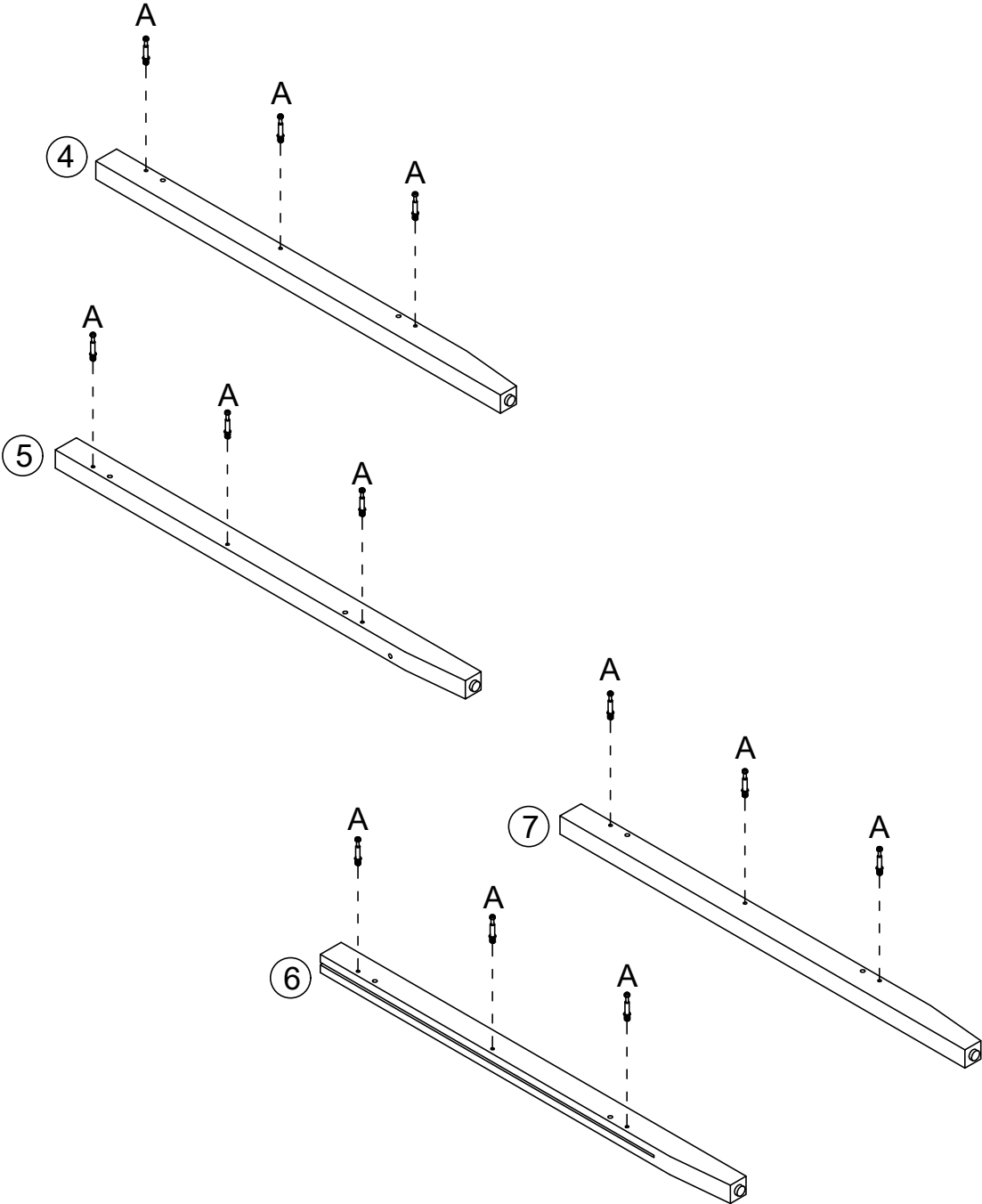
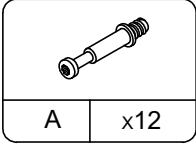
The Accessories



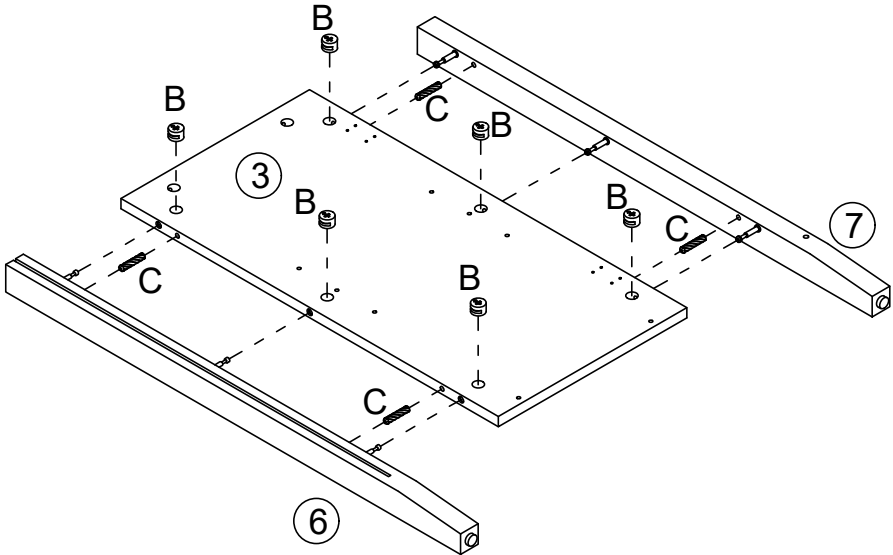
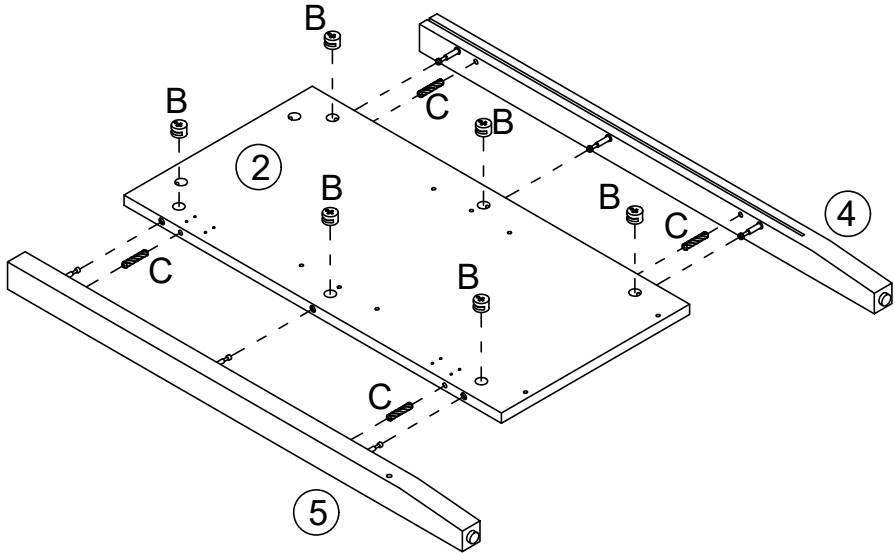
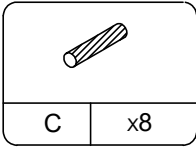
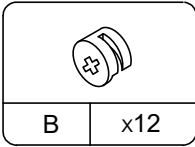
NOTED:



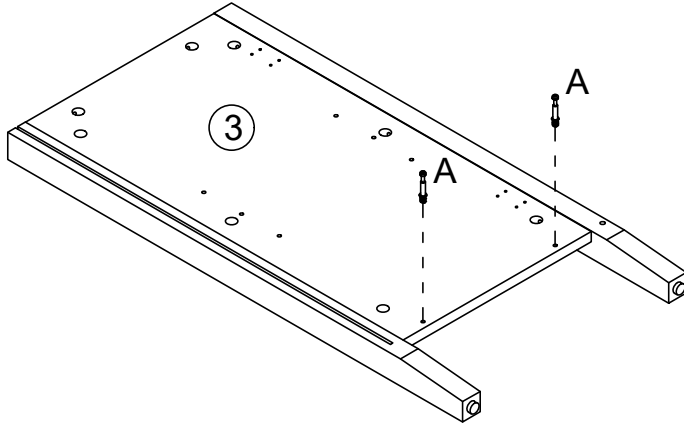
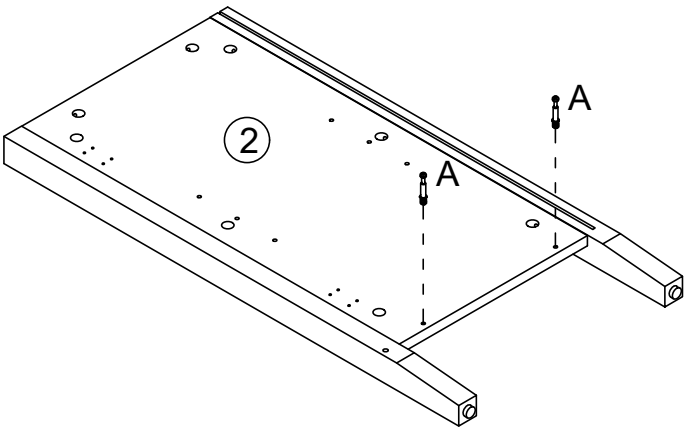
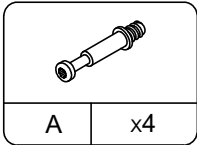
Step 1



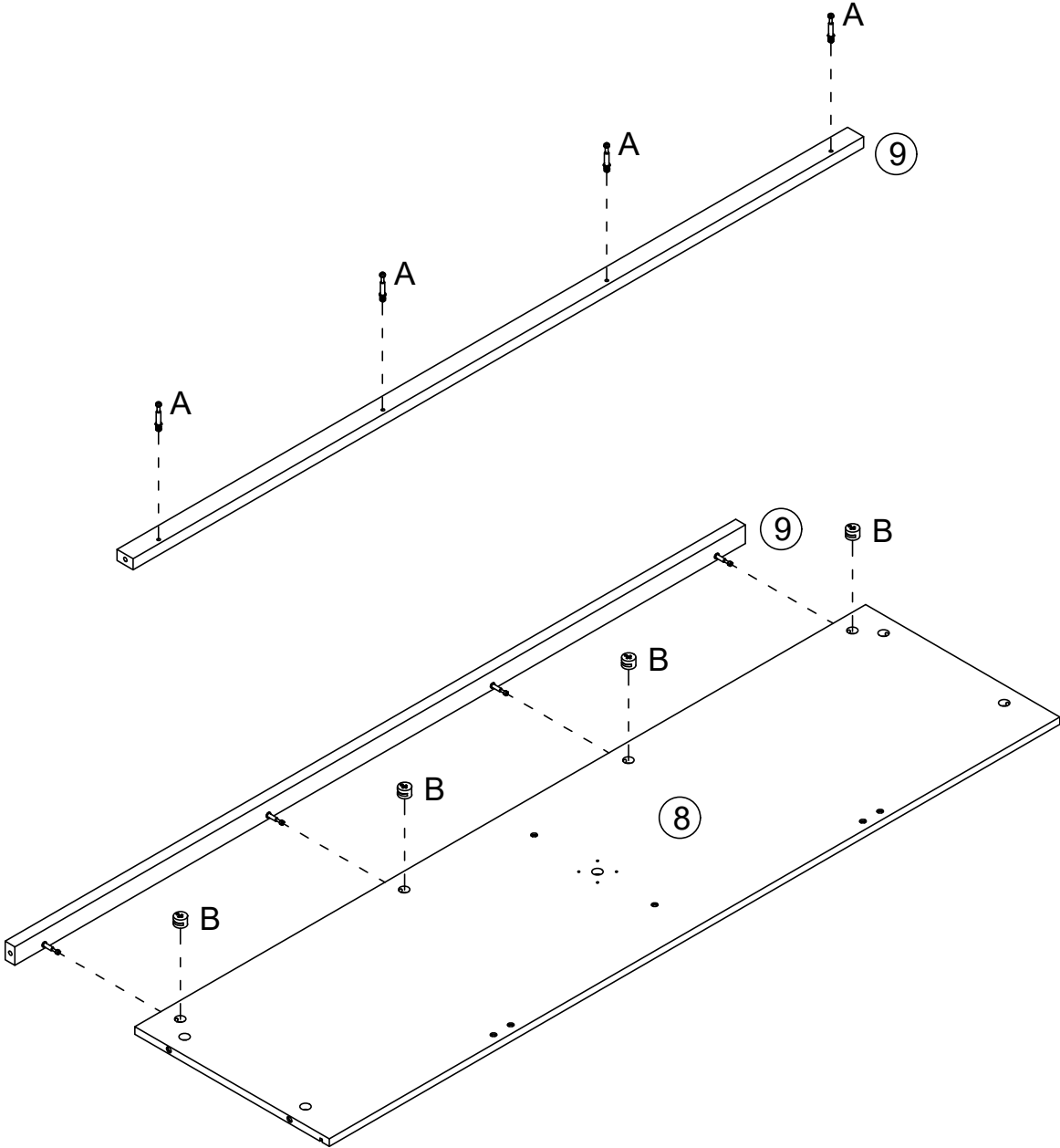
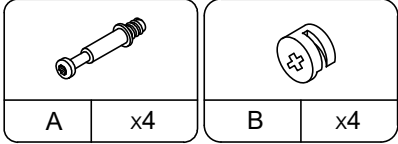
Step 2





Step 3

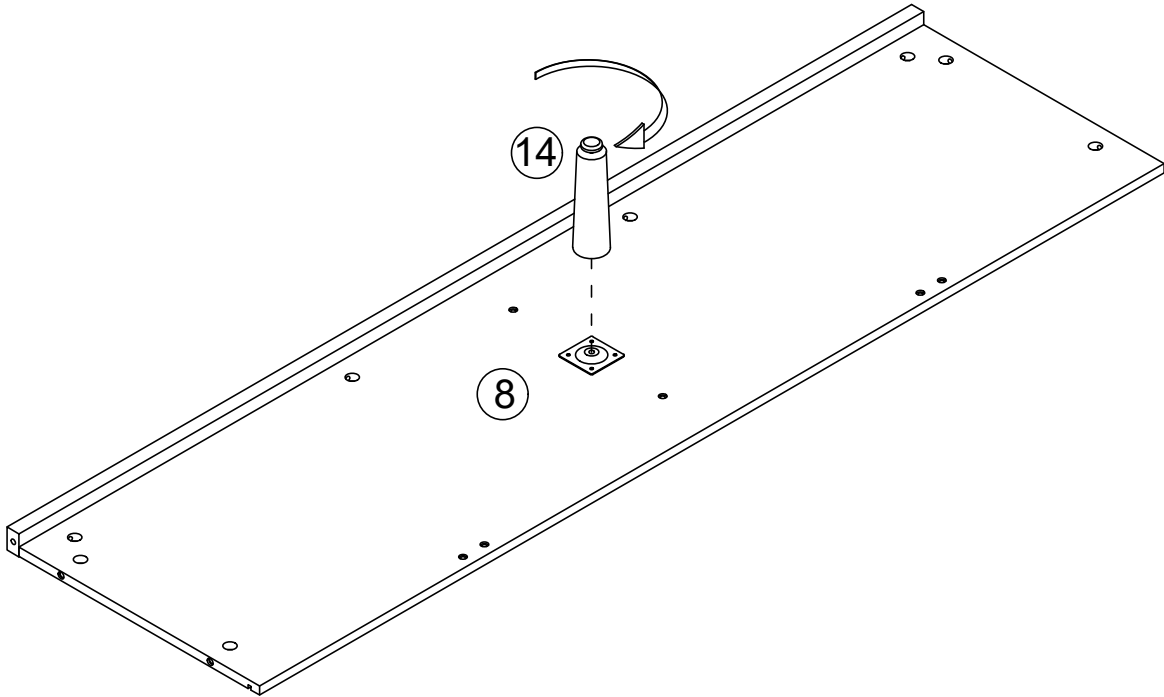
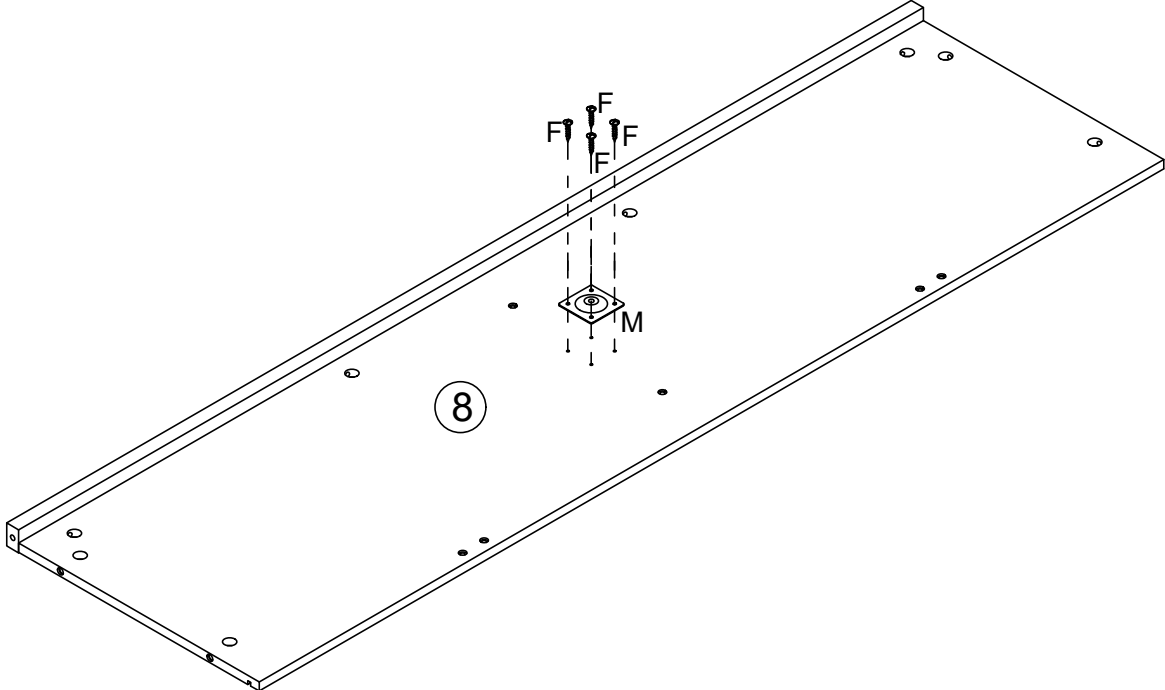


Step 4





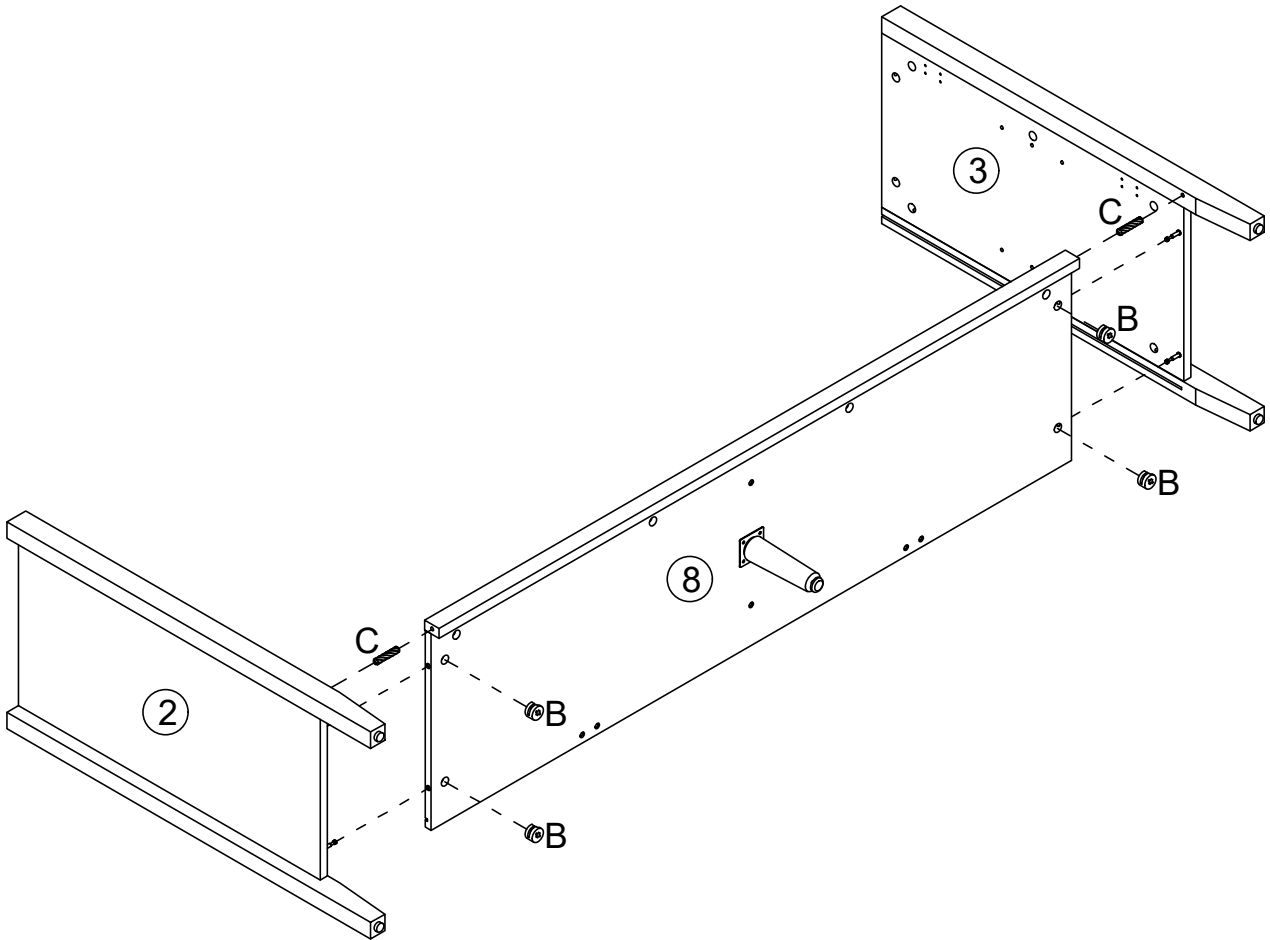
Step 5

			
F	x4	M	x1

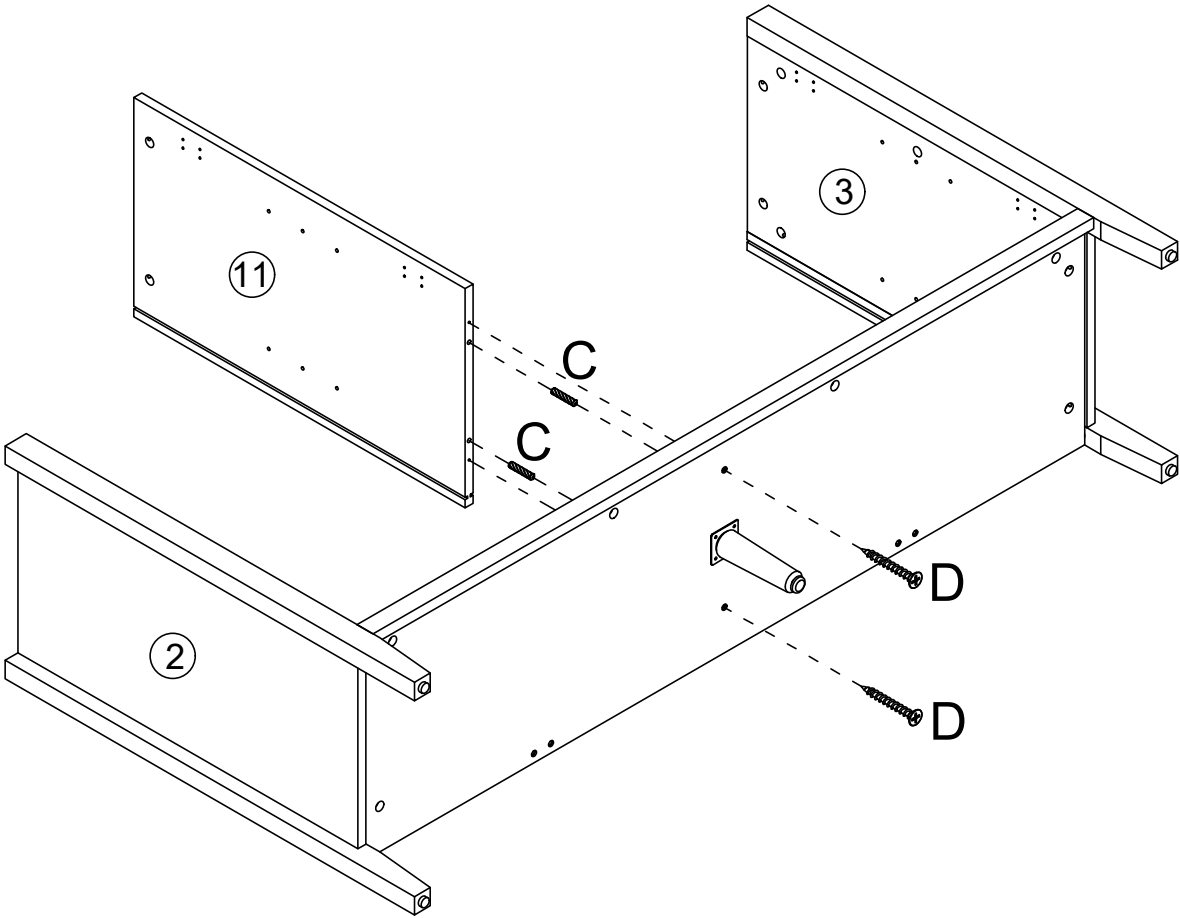
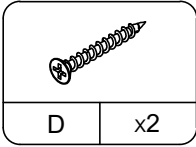
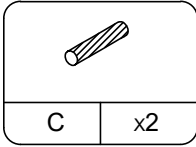


Step 6

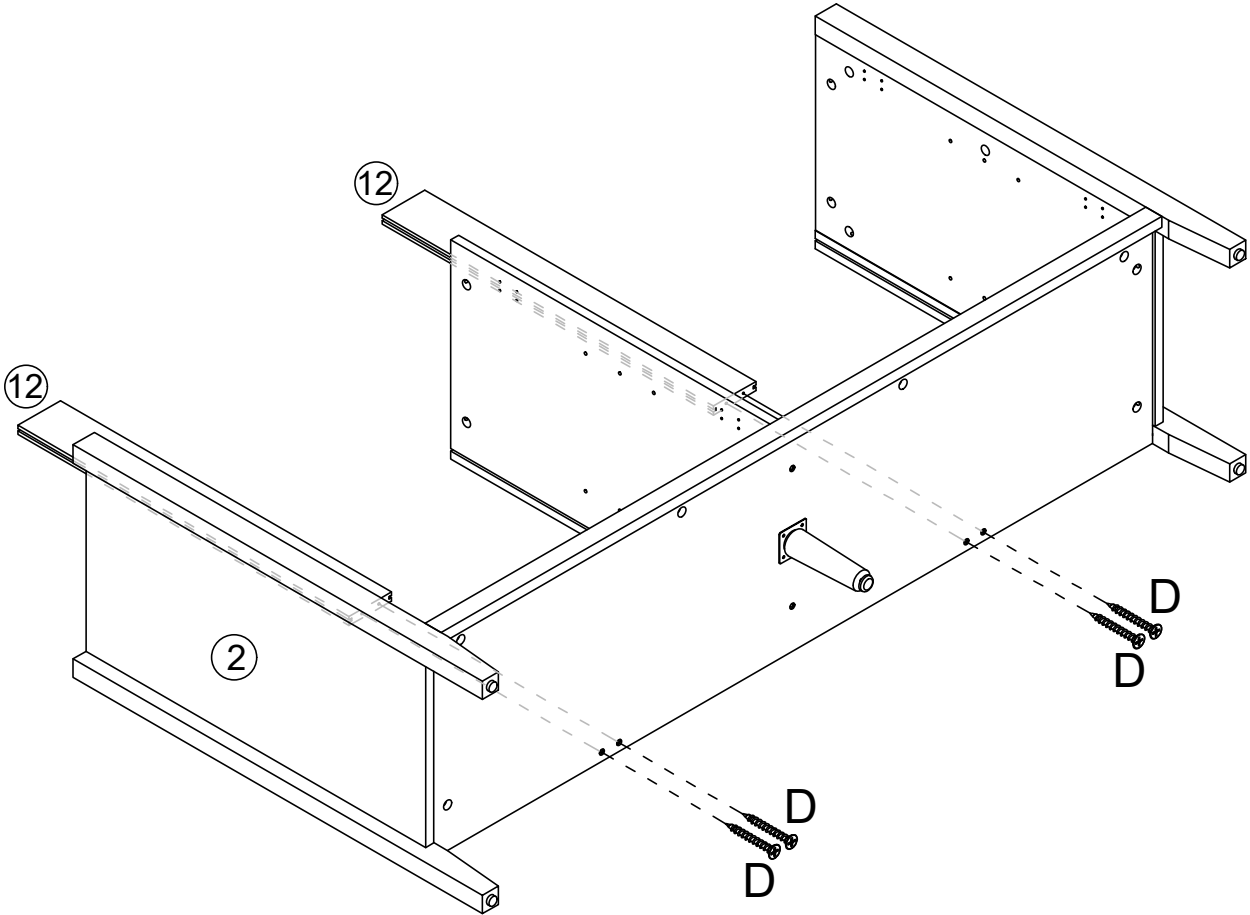
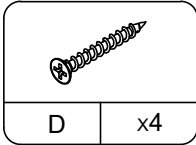
			
B	x4	C	x2



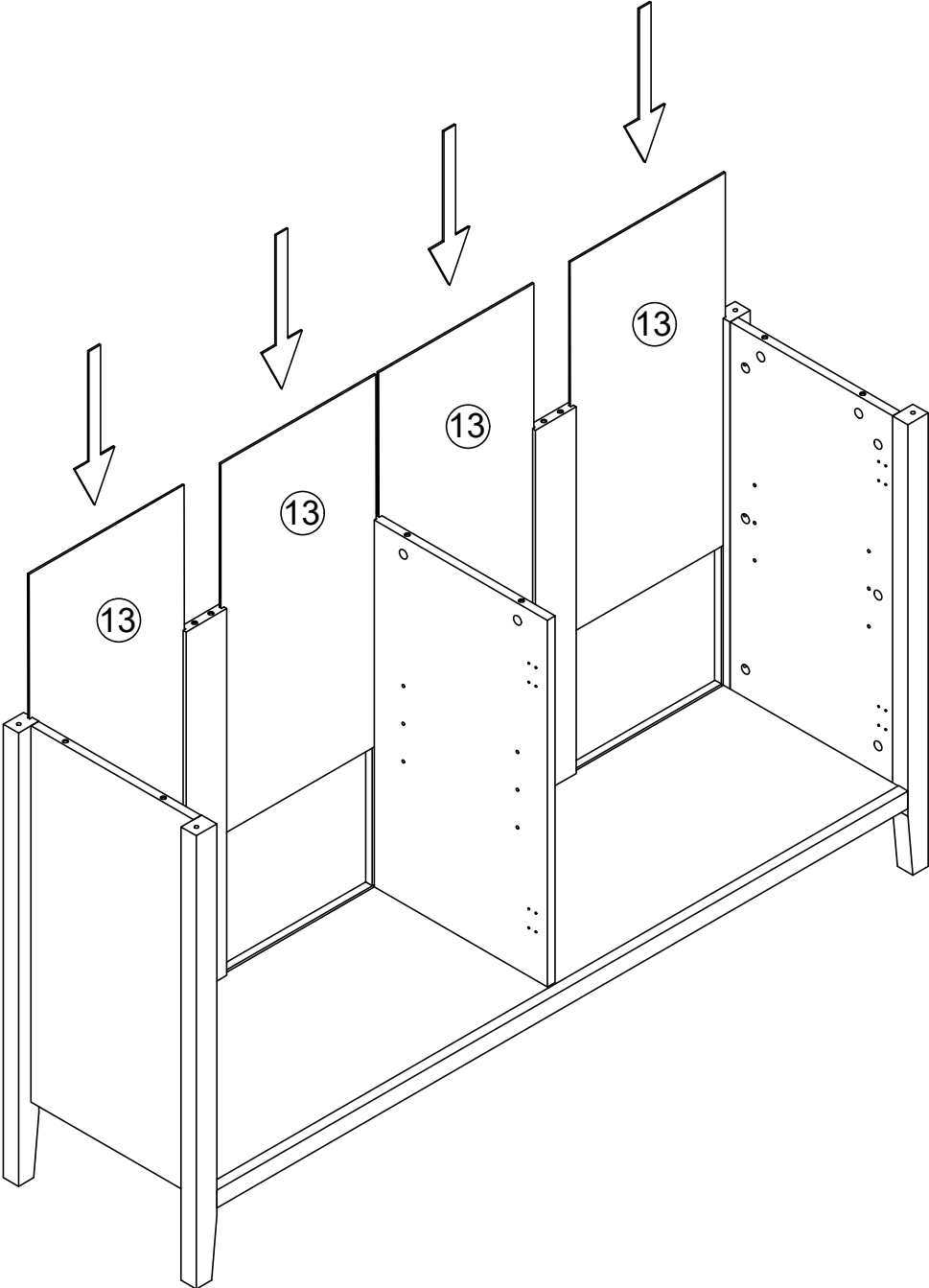
Step 7



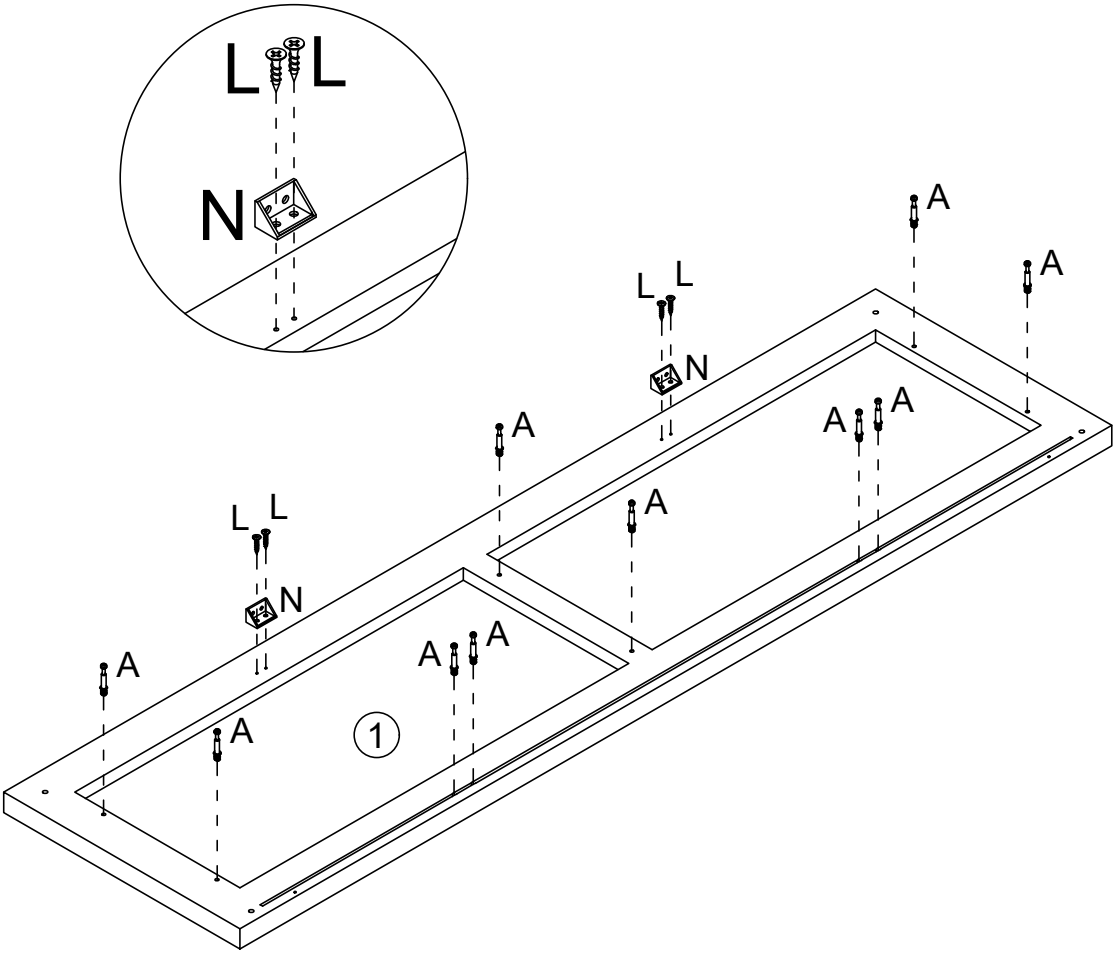
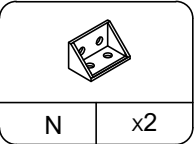
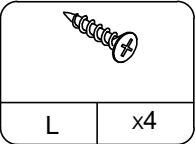
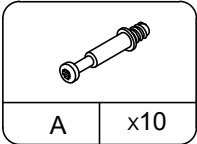
Step 8





Step 9

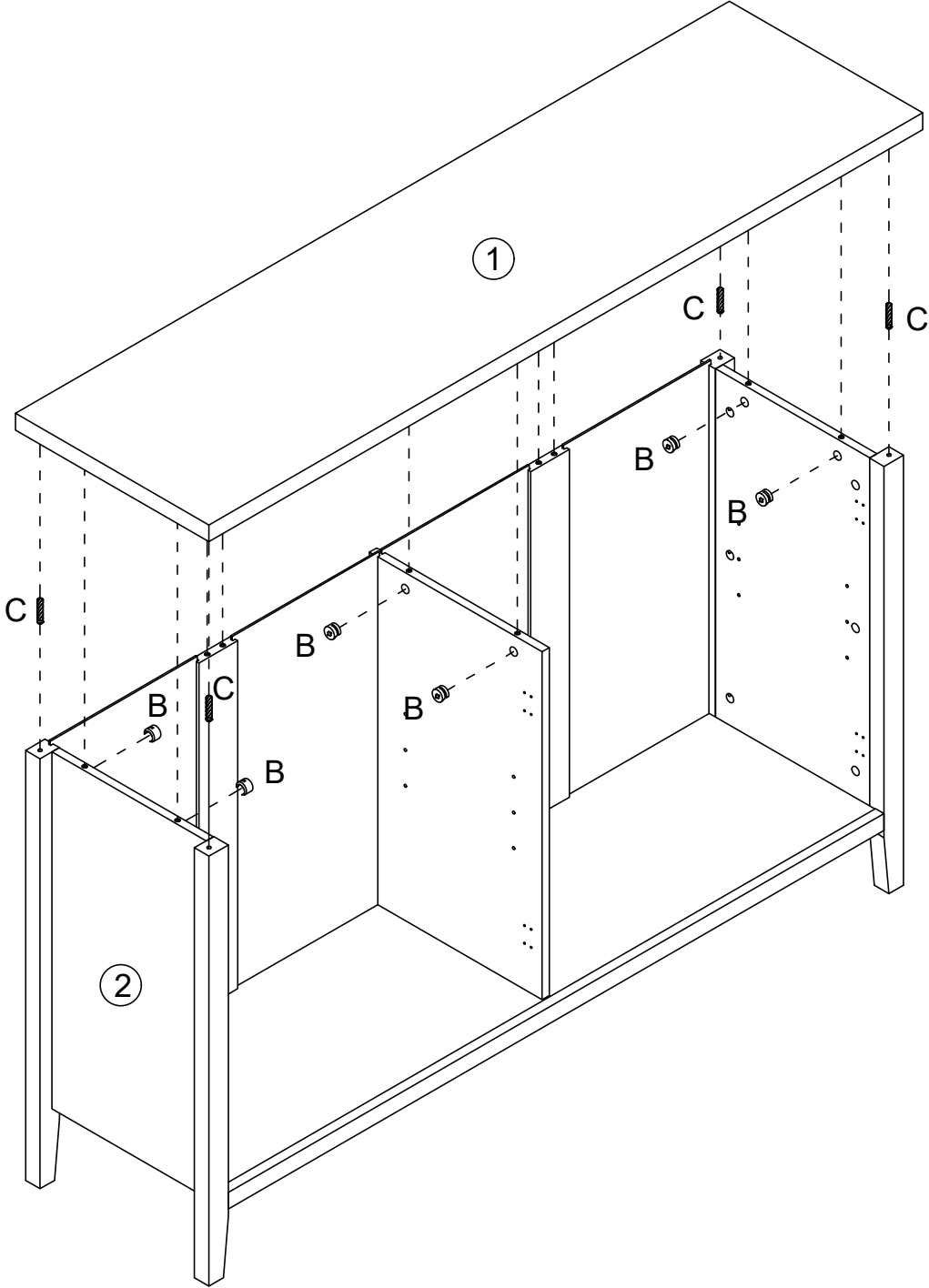


Step 10




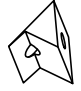



Step 11

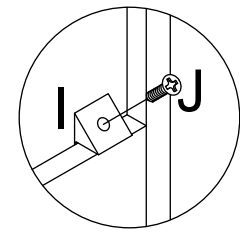
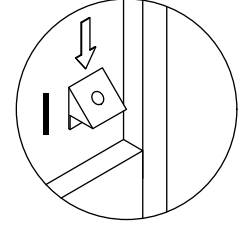
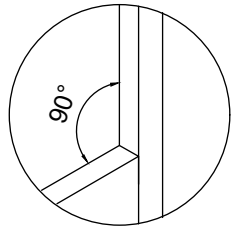
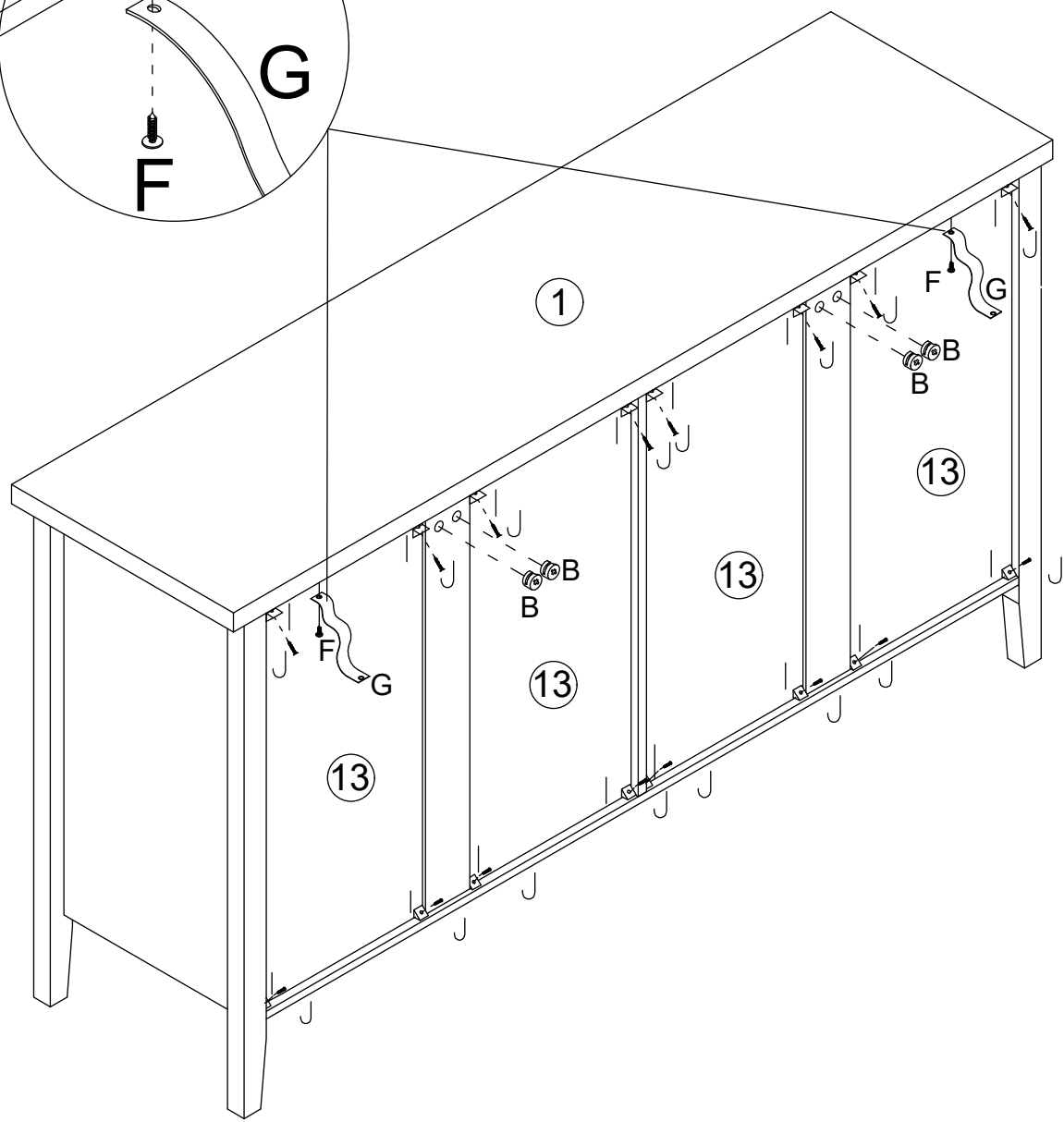
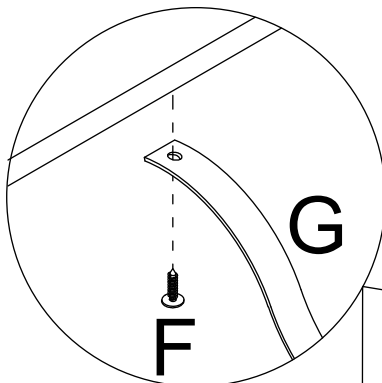
	
B	x6
C	x4



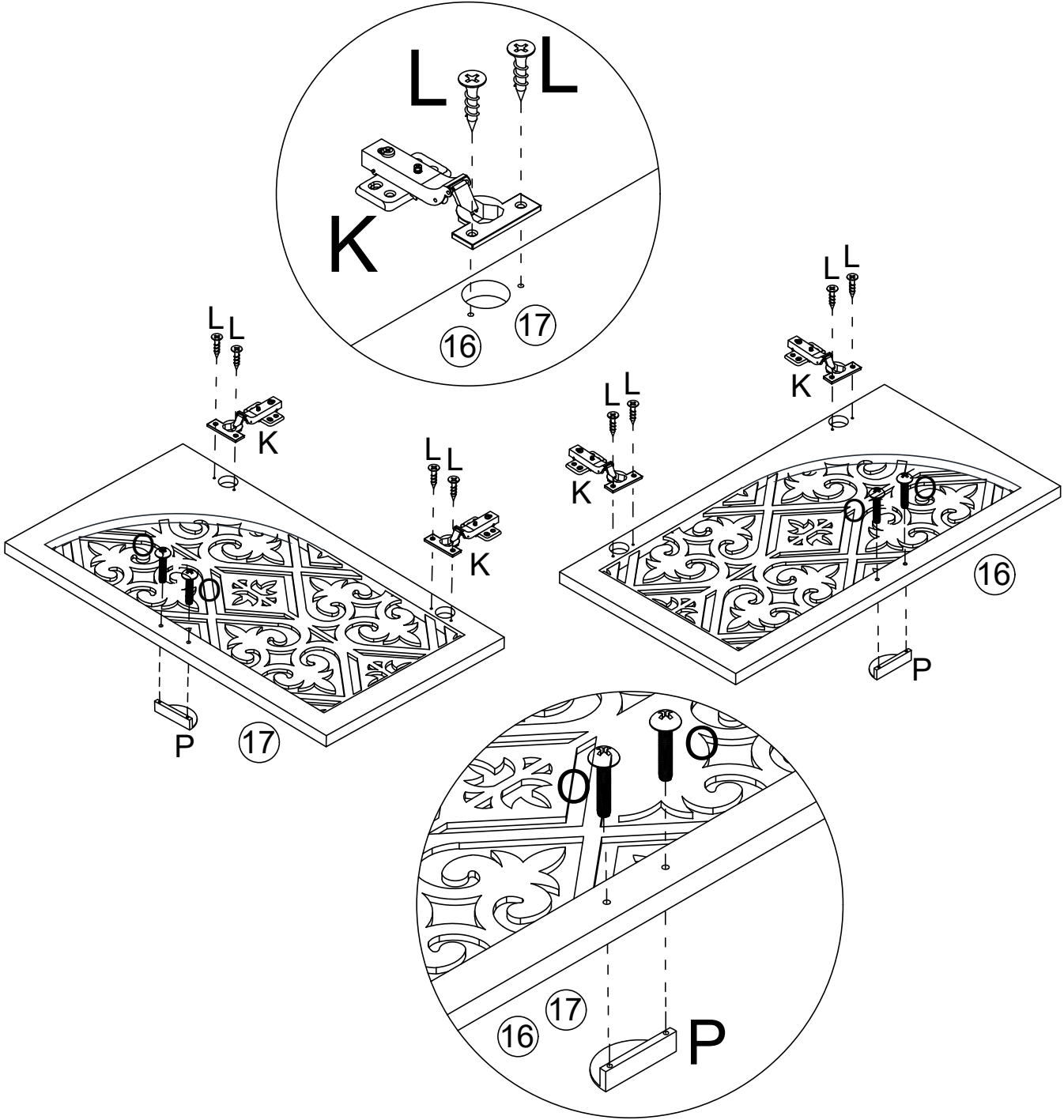
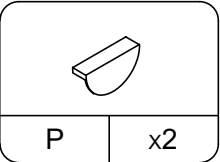
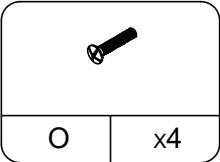
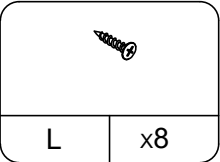
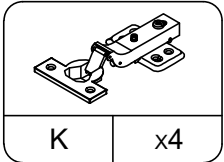
Step 12

							
B	x4	F	x2	G	x2	I	x16

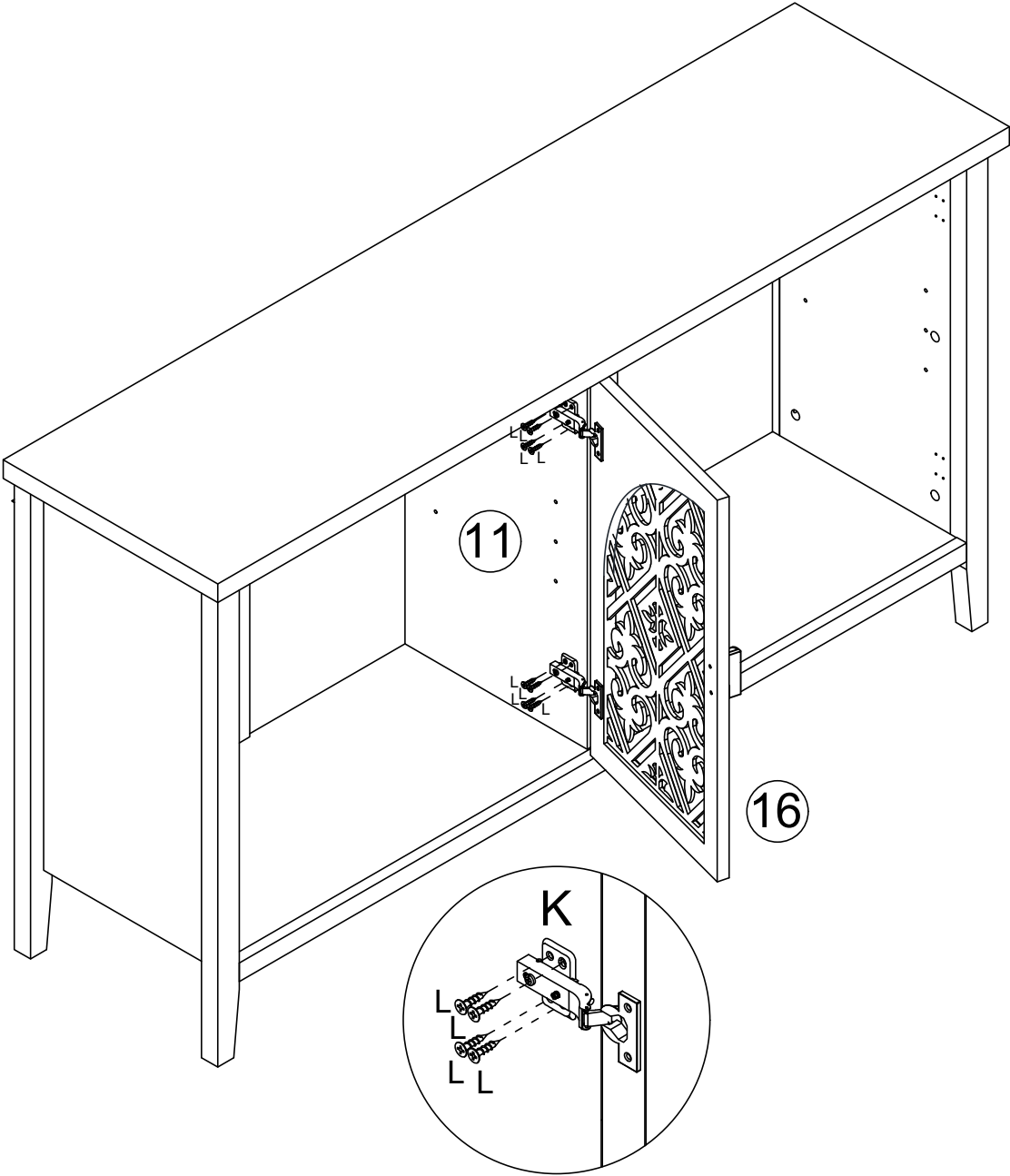
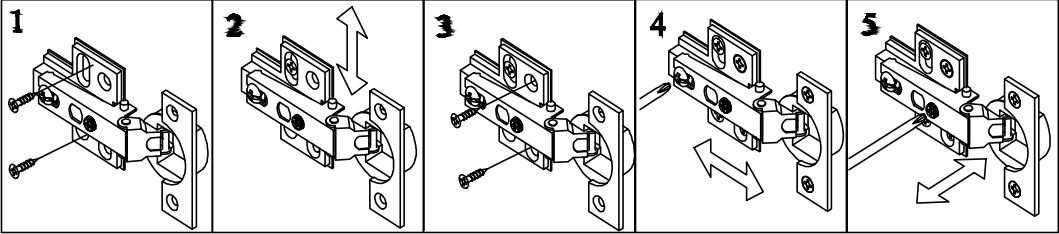
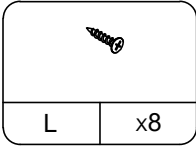
	
J	x16



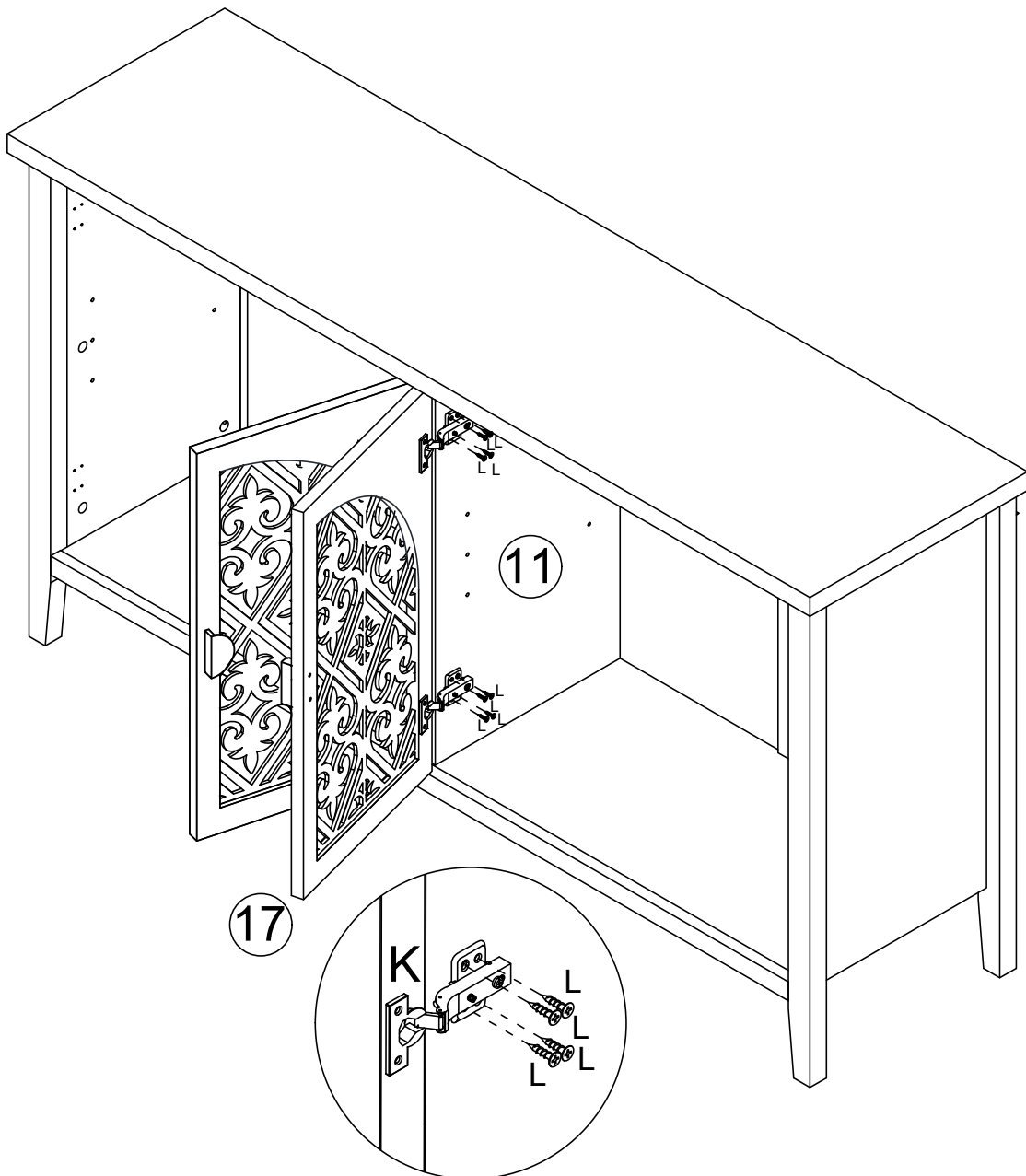
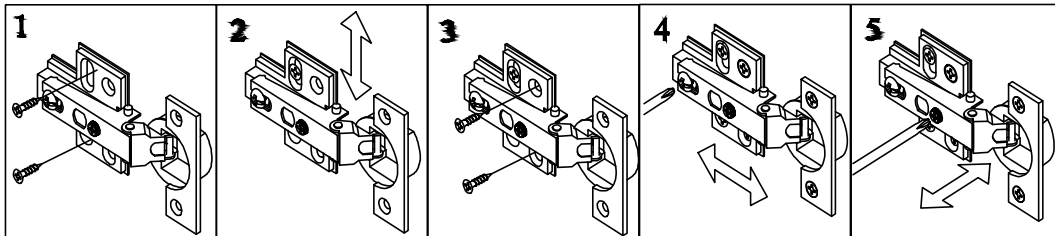
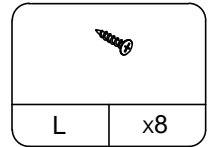
Step 13



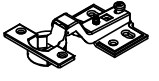
Step 14





Step 15

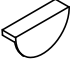


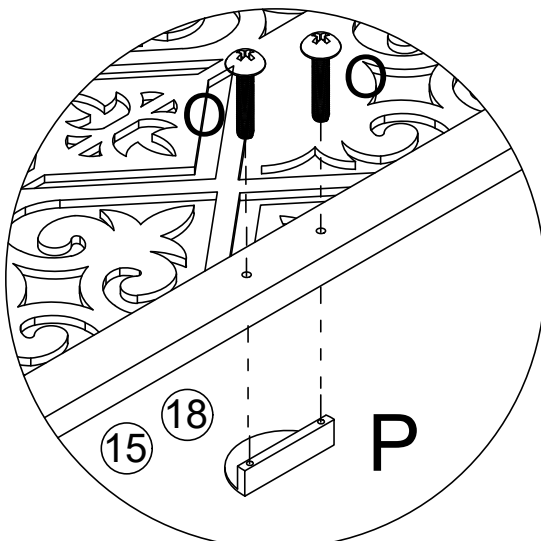
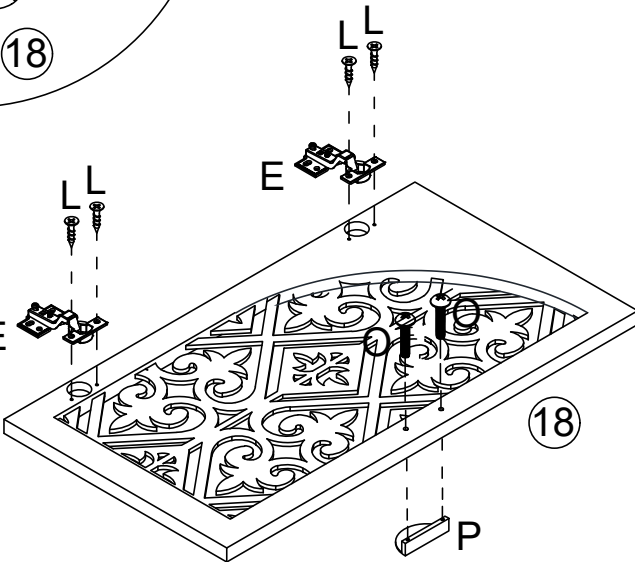
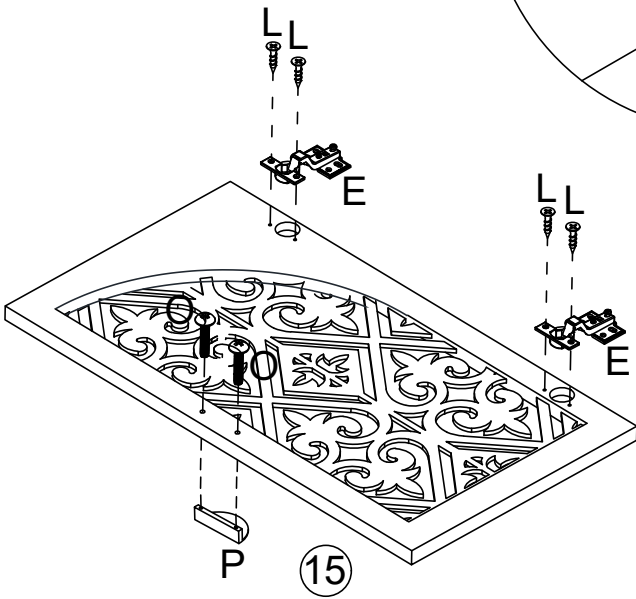
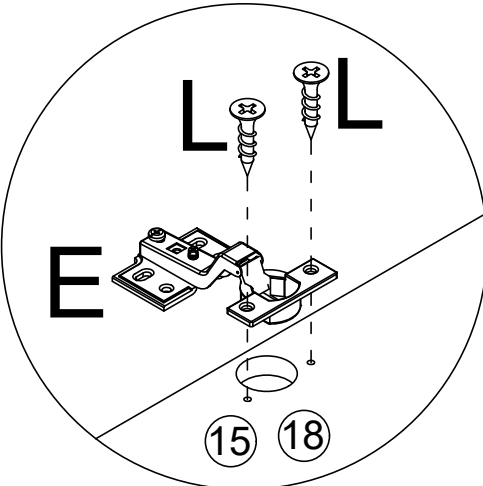
Step 16

	
E	x4

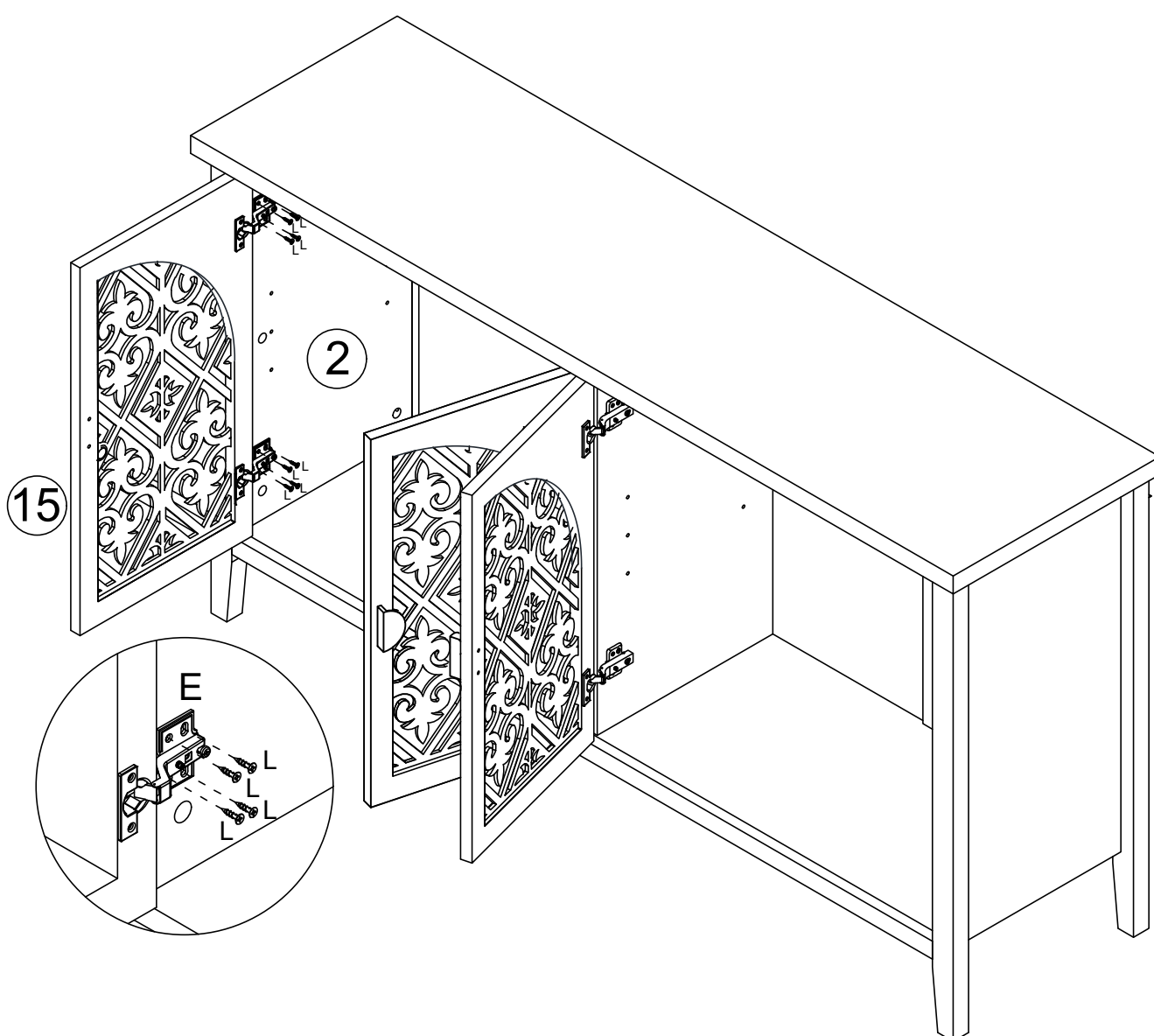
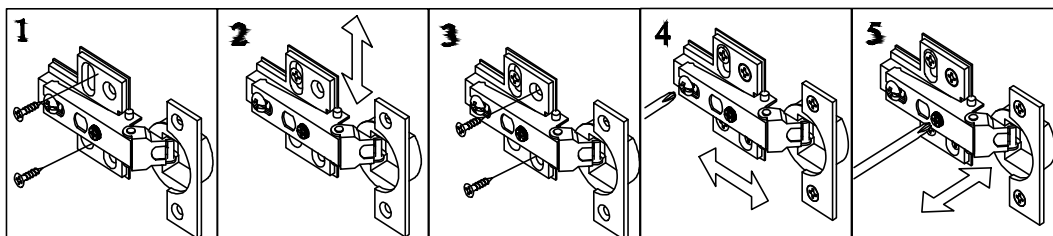
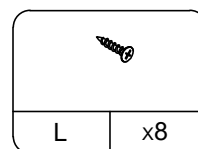
	
L	x8

	
O	x4

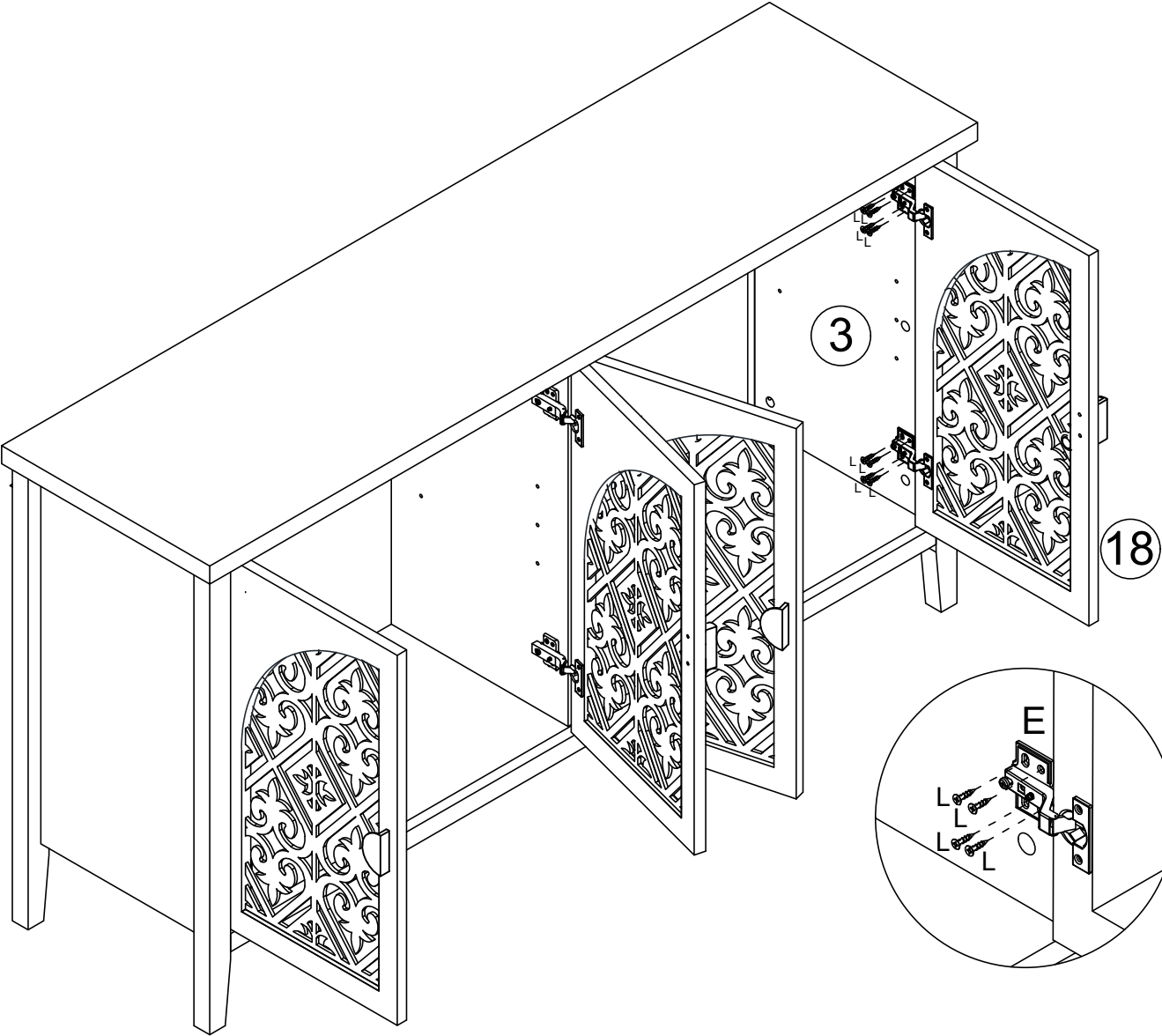
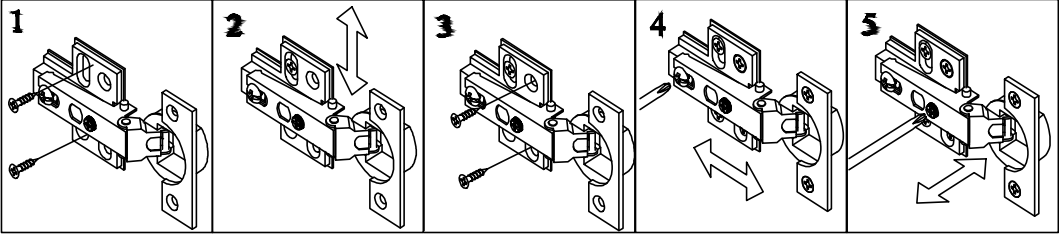
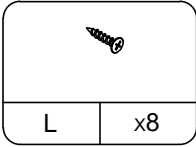
	
P	x2



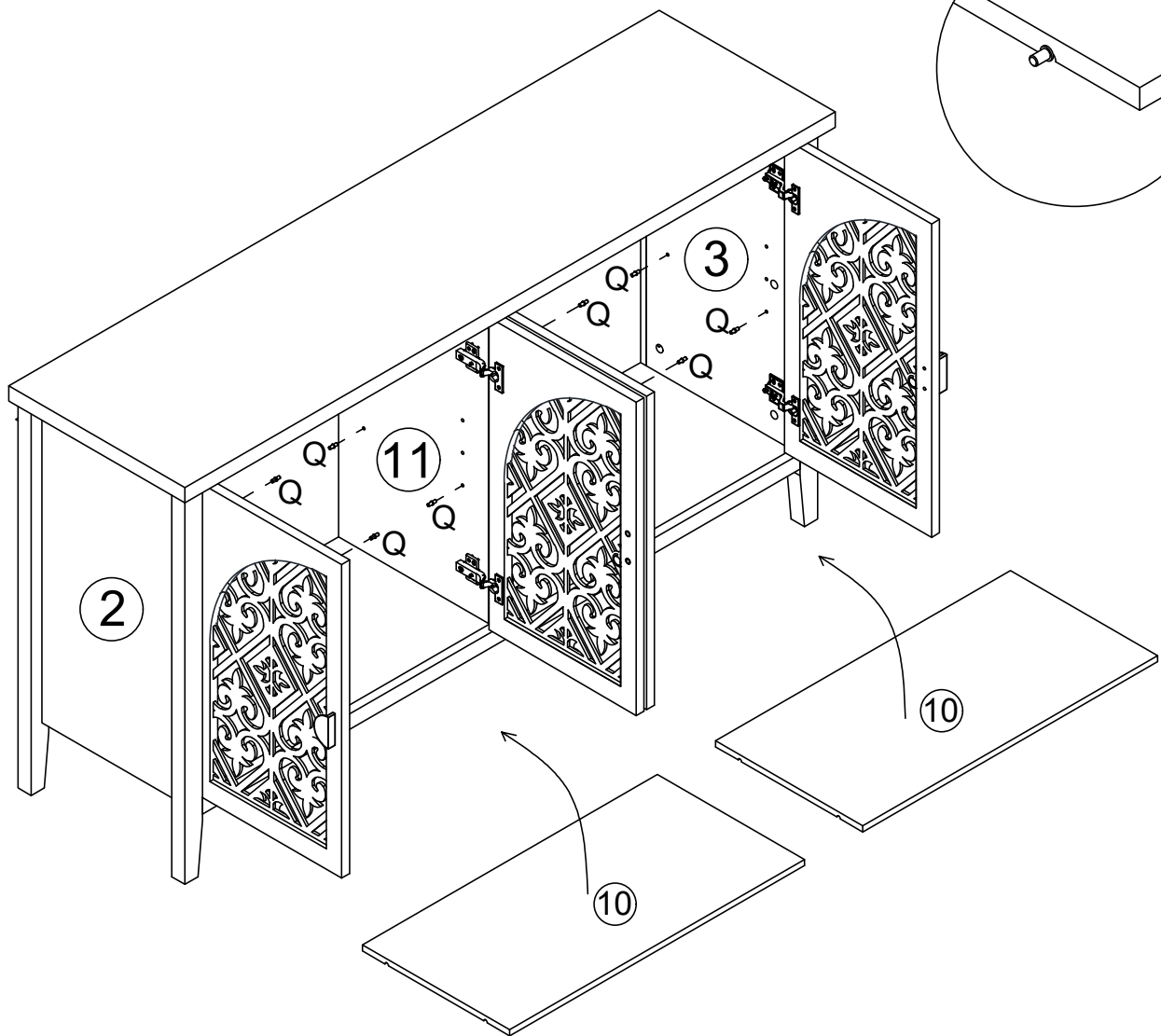
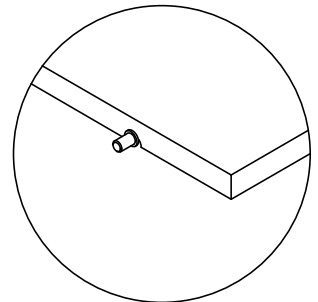
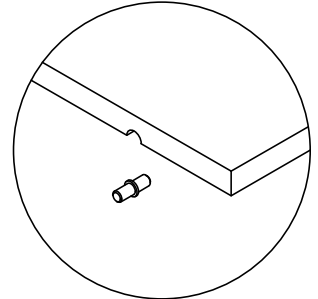
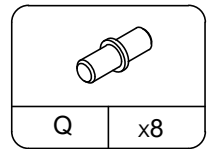
Step 17





Step 18

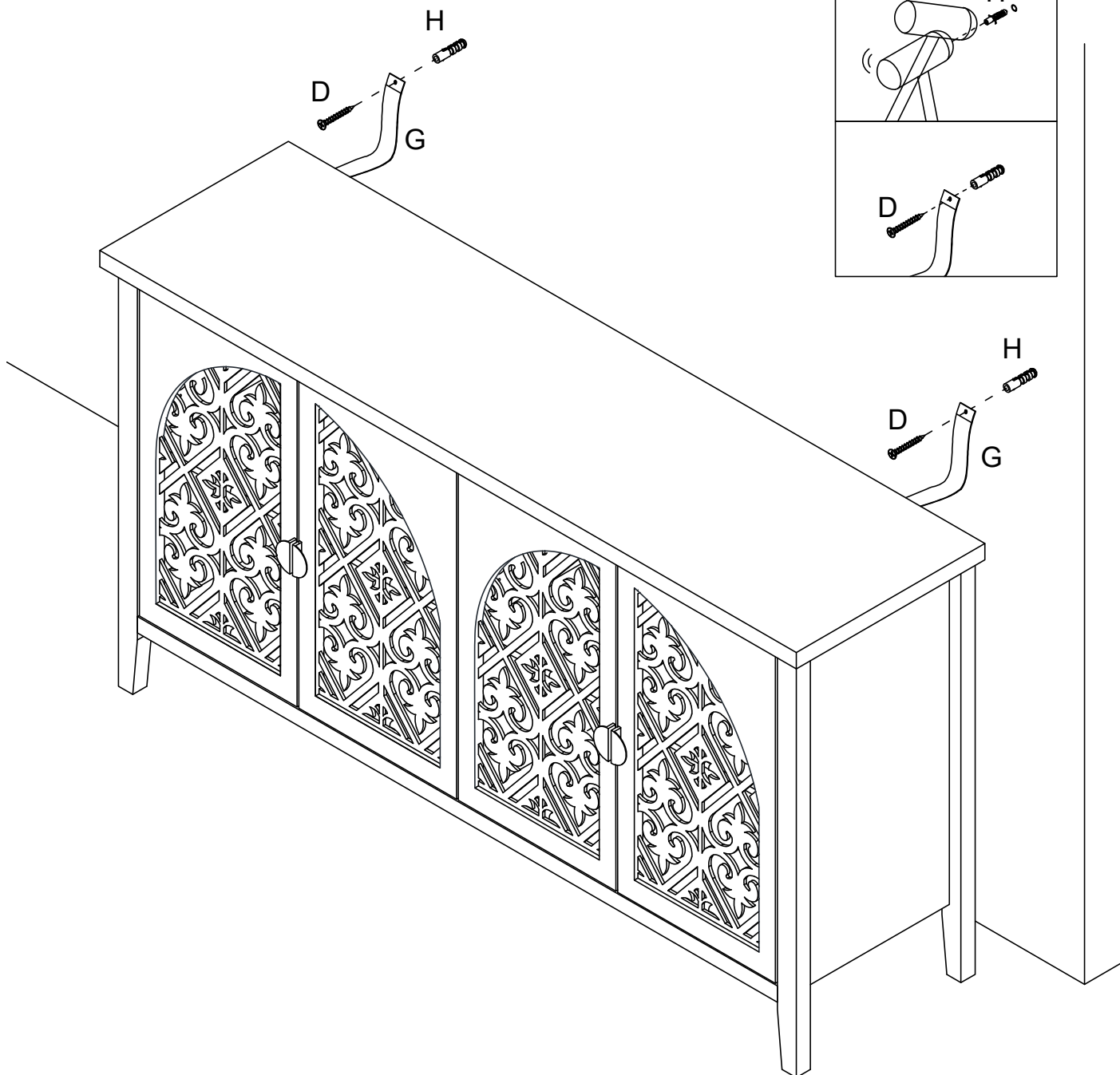
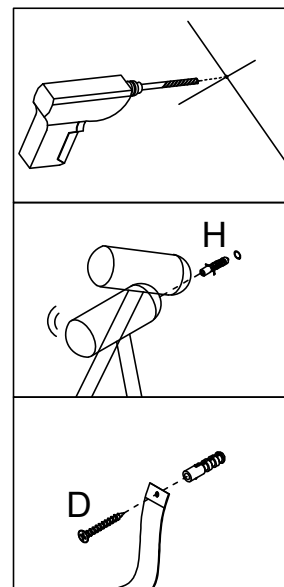


Step 19



Step 20

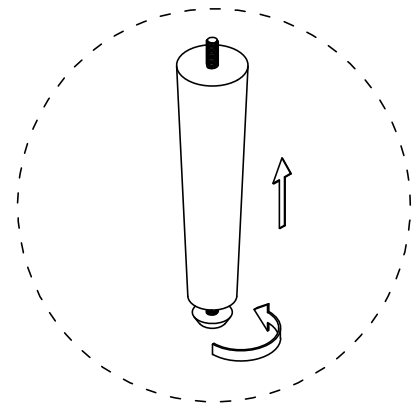
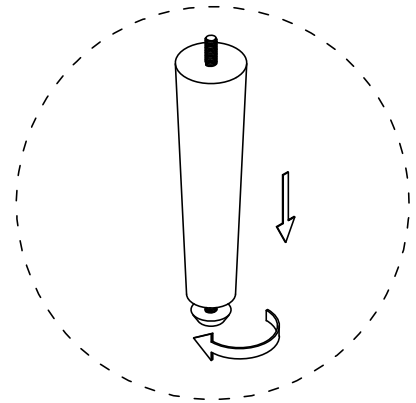
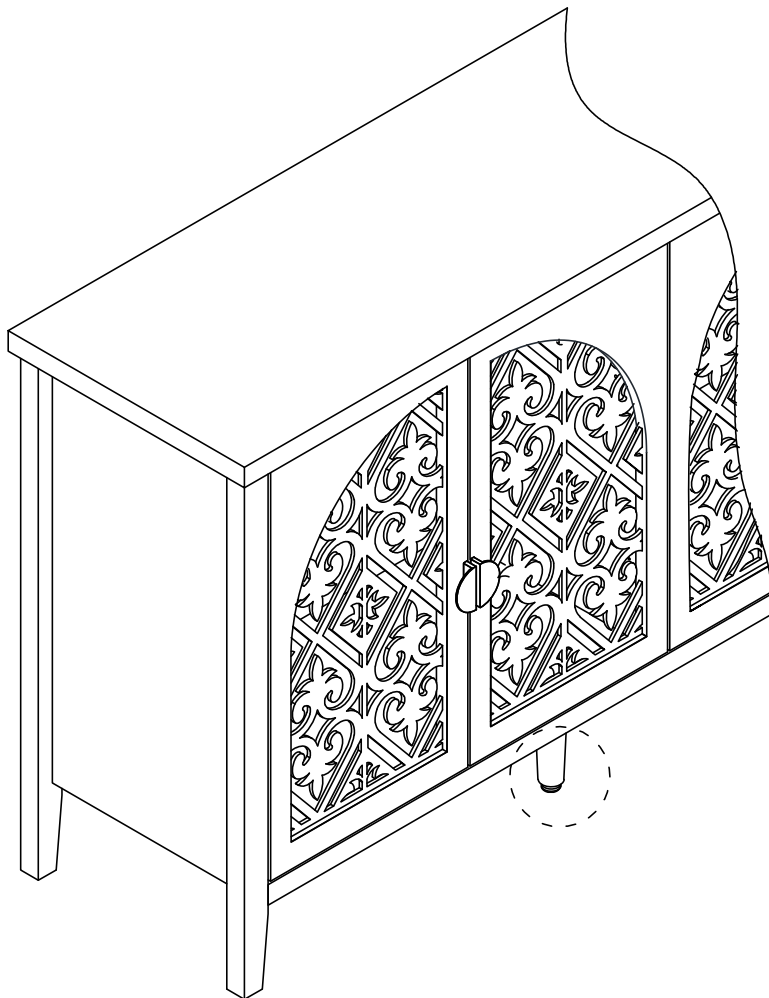
			
D	x2	H	x2



Is your cabinet door looking crooked or unevenly spaced? (Cont.)

If you're still having trouble lining everything up, your next step should be to try to adjust the feet slightly to square up the cabinet & doors. Follow the illustrations below:

If the right door appears to be hanging low, you can adjust the adjustable leveler on the front right until the door is better aligned.



Proper Use

- DO NOT use for commercial purposes
- DO NOT use as a step stool or stand on table
- DO NOT put hot serving liquid directly on the table top
- DO NOT leave spilled liquid on the table top
- DO NOT use table if damaged
- DO NOT exceed weight limit
- DO NOT make temporary repairs
- DO NOT use outdoor