



---

#### LIGHT SOURCE DATA

- 3 x 28W Max G9 Eco Halogen (required)
- Lamp direction - Indirect
- Lamp shape - Capsule
- Dimmable
- Energy range: A++, A+, A, B, C, D

---

#### DIMENSION DATA

- Height 175mm
- Diameter 340mm
  
- Weight .64kg

---

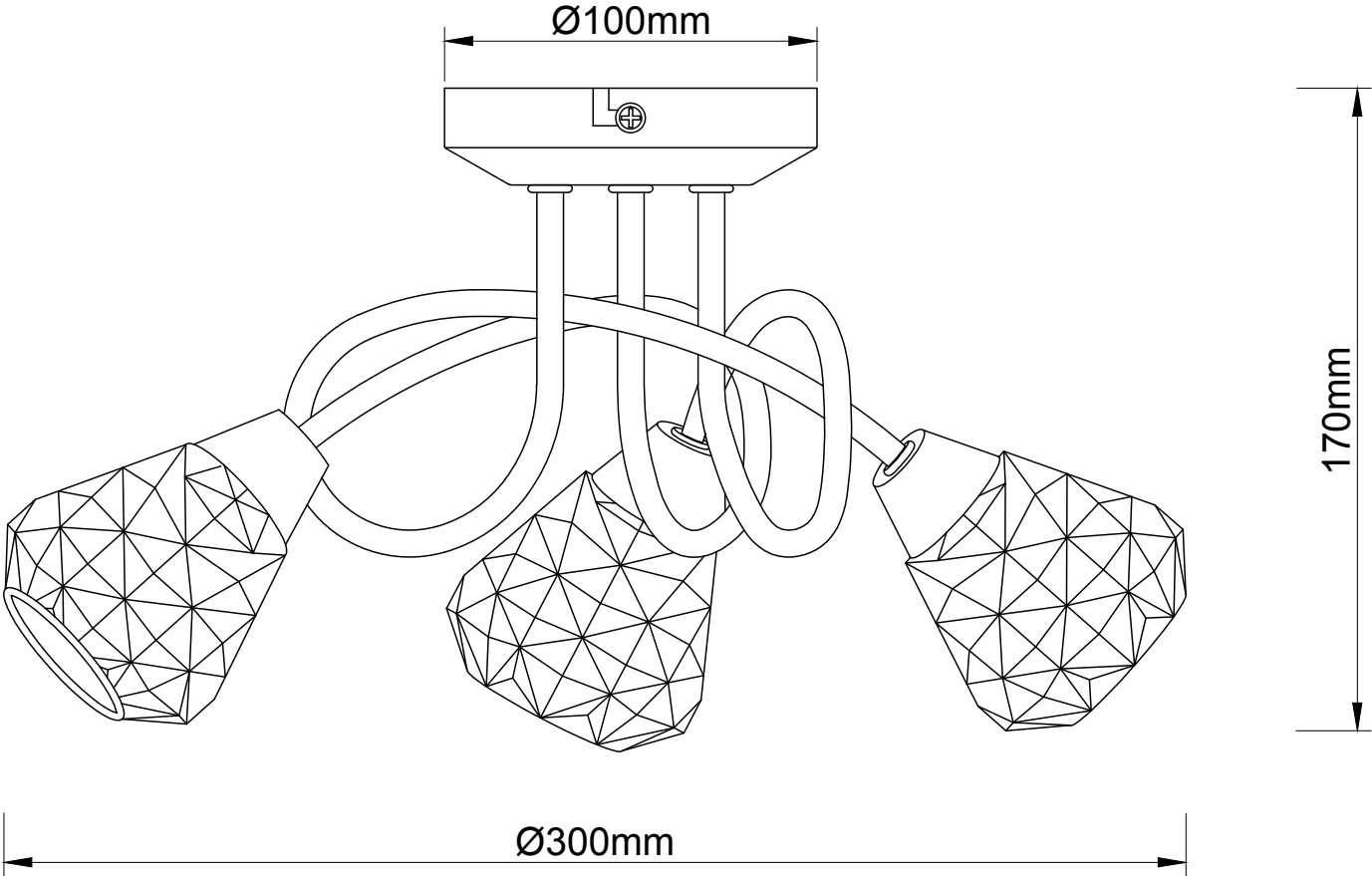
#### SPECIFICATION

- Manufacturer warranty for 2 years from date of purchase
- Polished chrome plate and clear glass
- IP20
- Class I - Single Insulated, Earthed
- 240V
- Assembly required? No
- CE Marking, Energy Efficient, Energy Saving

---

#### CERTIFICATION





CERTIFICATION

