

WARRANTY

We strive to offer high quality product, and we also try our best to satisfy each customer that orders from us with the best customer services we could.

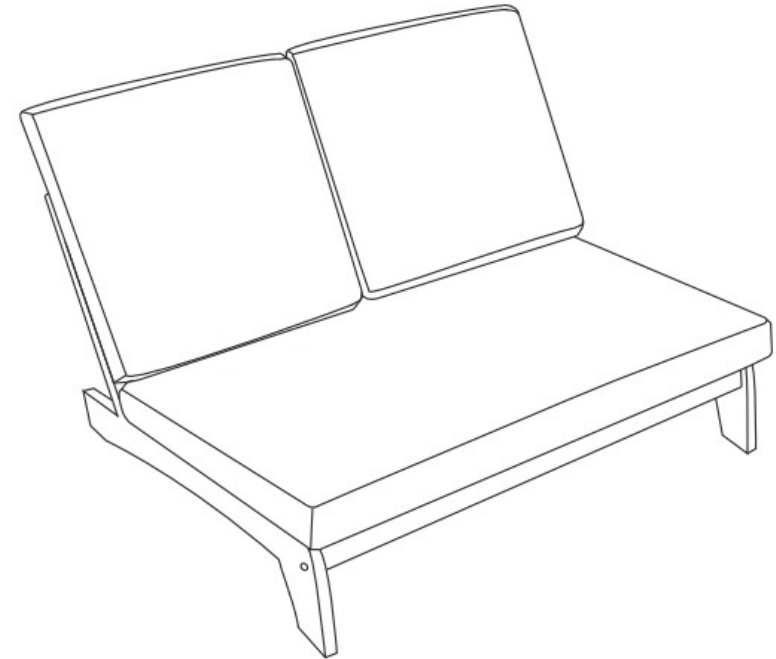
Each customer has a record of their order, such as order numbers, receipts etc. You may still purchase the replacement parts even the warranty has expired, if the product is still available.

If you are having difficulties while using our product or during assembly, please feel free to contact us.

Send us an email with your order number, please describe the problem you are encountering, or attach pictures of the problem, we will respond you as soon as possible.

If you are returning your product, please check the return policy with the retailer, or the website you bought from.

Thank you for shopping from us, we treat every customer as our friend, hope to see you in near future.



LOVESEAT

NOTE:

This brochure contains IMPORTANT safety info. Please read and keep for future reference.

MAINTAINANCE AND WARNING

- 1. Keep the furniture away from fire
- 2. Keep the furniture away from sharp objects
- 3. DO NOT clean the furniture with irritant chemicals, cleansers or polish. DO NOT use detergents, solvents, abrasives, spray packs or leather cleaner. Please use soap with warm water to clean(1:10 soap to water)
- 4. IF place the furniture direct under sunlight, the pattern or color might fade away
- 5. DO NOT jump on the furniture, for your own safety concerns.
- 6. Packaging and small parts have CHOKING HAZARD, please keep them away from children
- 7. Please follow the instructions to assemble, and use the furniture properly, if you have any questions, Please contact us

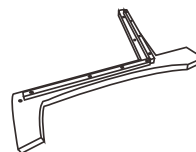


Weight Limitation

400LBS

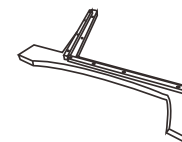
PARTS LIST

A * 1



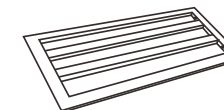
Left Leg

B * 1



Right Leg

C * 1



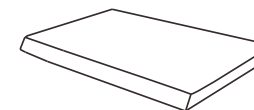
Back frame

D * 1



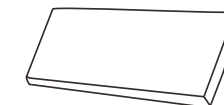
Seat frame

E * 1



Seat cushion

F * 2



Back cushion

G * 1



Stretcher

I * 2



Back cushion
Cover

H * 1



Seat Cushion
Cover

HARDWARE and TOOL LIST

① x12



M6*50MM
Bolt

② x1



Allen Key

③ x12



Plastic cover

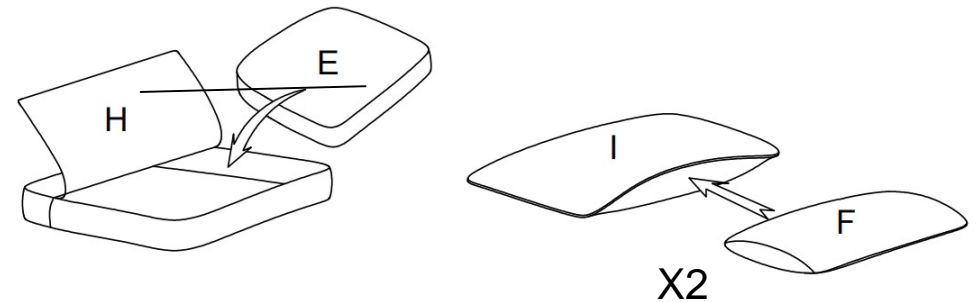
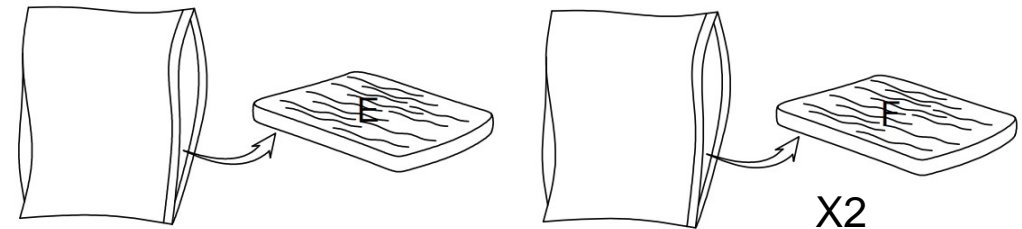
④ x4



Vertical nut

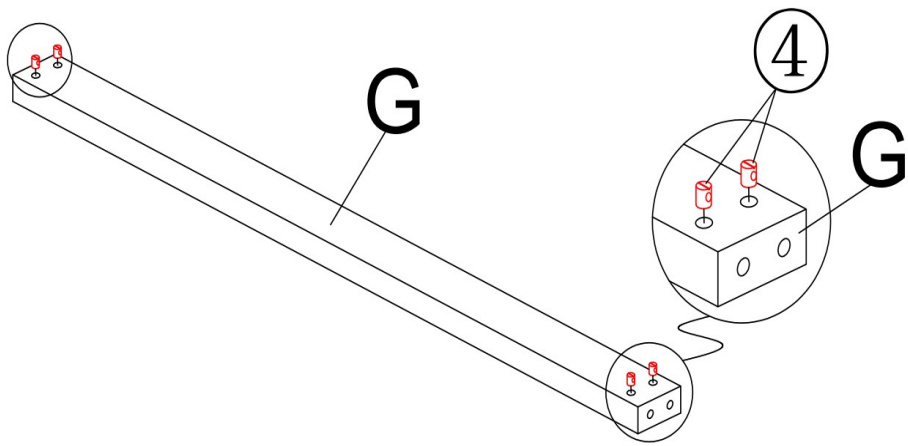
* Make sure you have everything in the box before assemble. Be aware of the small parts, do not let children use or touch, CHOKING HAZARD. If anything is missing, please contact us.

ASSEMBLY INSTRUCTIONS

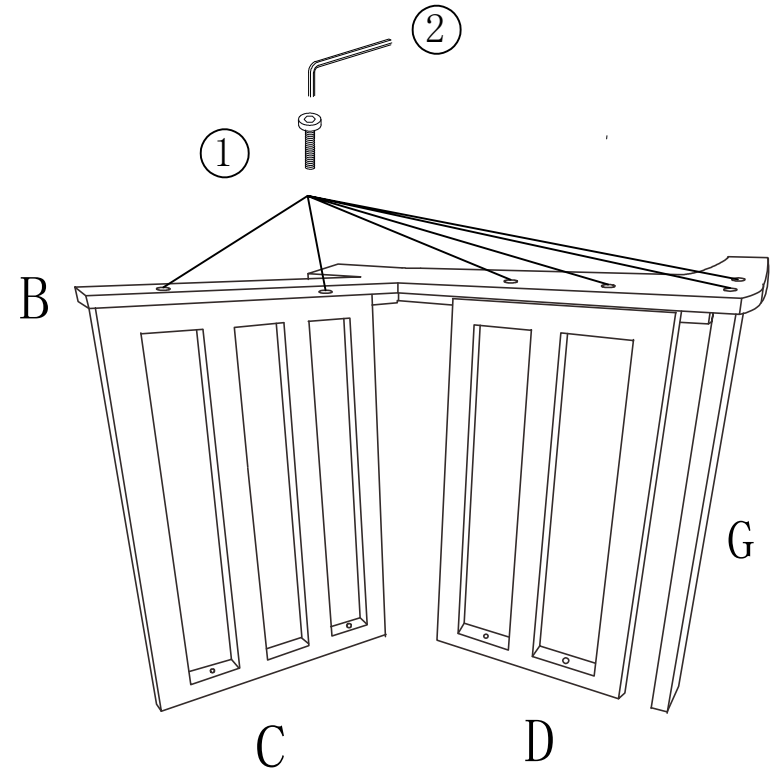


Step 1: Take out the seat cushion (E) and back cushion (F) from the compression bags, please allow it to recover to original shape. It might take about 24 hours to be fully recovered, you may gently slap the cushions to speed up the process.

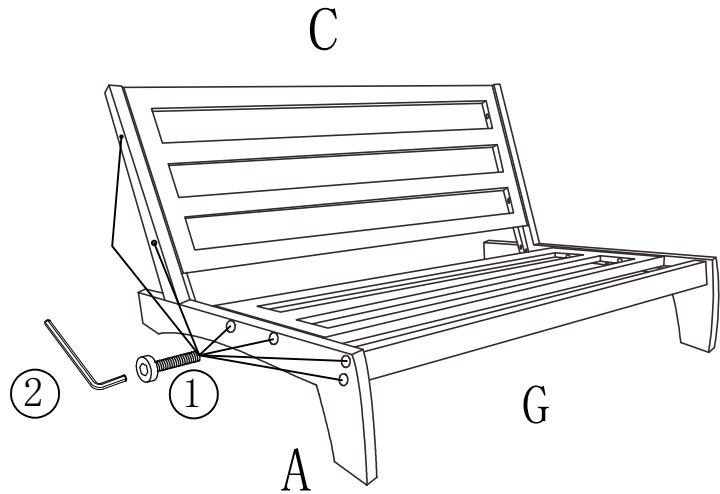
Put seat cushion (E) and back cushion (F) into the covers (H & I), and zip the covers.



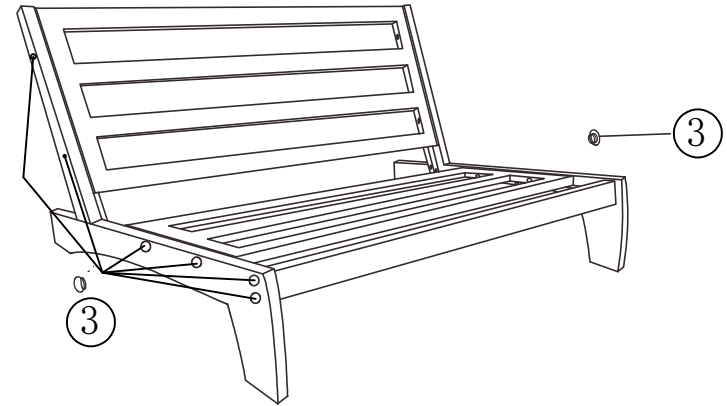
Step 2: Insert hammer vertical nut (4) into the holes on stretcher (G) as shown, make sure the holes on the hammer nut screws are aligned with the holes on the sides of the stretcher.



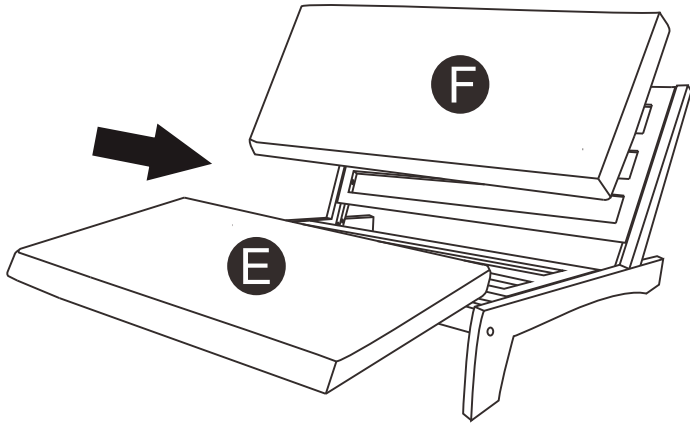
Step 3: Connect back frame (C) and seat frame (D) to the right leg (B), with the stretcher (G) on the top as shown, then use the allen wrench (2) provided, to screw all the bolts (1) into the pre drilled holes, make sure all the screws are aligned before tighten.



Step 4: Align the left leg (A) with the parts assembled, make sure all the holes are aligned, then use the Allen Key (2) provided to twist all the screws (1) into each holes as shown.

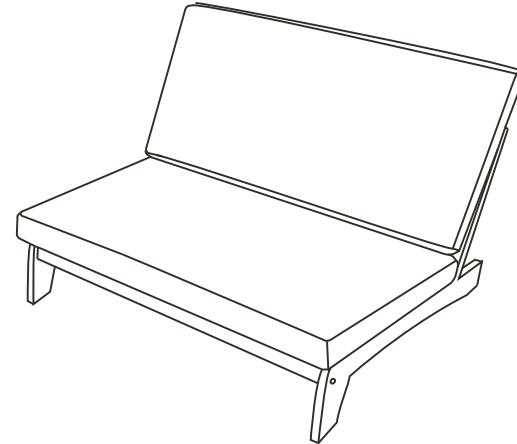


Step 5: Insert the plastic covers (3) into all the screw holes on both sides as shown.



It will take a while for the cushions to expand. Normally it will take up to around 24 hours to expand to its full size.

Step 6: Place the seat cushion (E) and back cushion (F) onto the chair as shown.



Step 7: Congrats! The assemble is completed!