

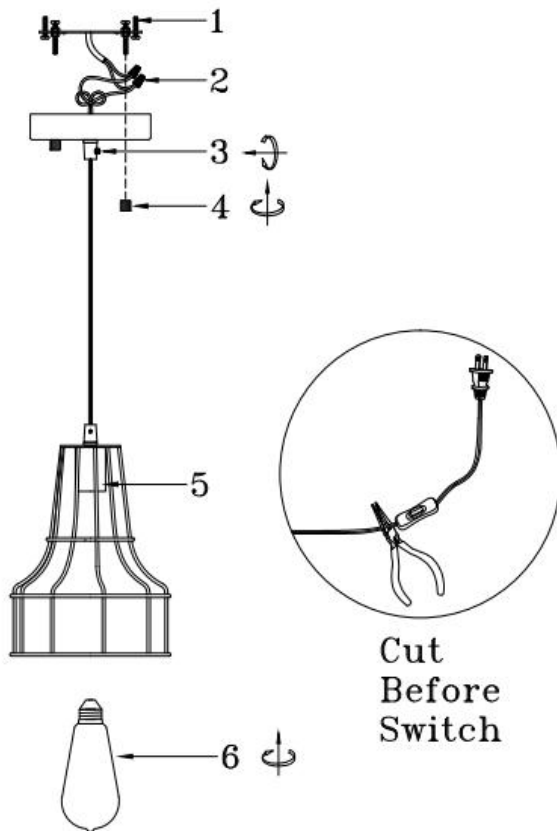
TWO INSTALLATION OPTIONS:

OPTION #1: DIRECT WIRE

Contact licensed electrician.

Important: Turn off power at main breaker panel to the electric box.

- A Cut off the switch and plug at the desired length you want pendant to hang at. Leave 6" extra wire for connection to wire in electric box in ceiling.
- B Use #1 screws to secure the assembly plate to the electric box in ceiling.
- C Pass the wires through the ceiling plate and connect to the wire in box.
- D Insert silicon plastic tube to protect the wire and use #3 cap screw to tighten to wire. Then use cap #4 to attach the canopy on the ceiling.
- E Screw in bulb.
- F Use Max 40 Watt Edison Bulb (Bulb may or may not be included).



OPTION #2: SWAG LAMP

- A Put the plug into the outlet.
- B Use #3 plastic part to fix on the wire at the desired height.
- C Screw in the bulb.
- D Use Max 40 Watt Edison Bulb (Bulb may or may not be included).

