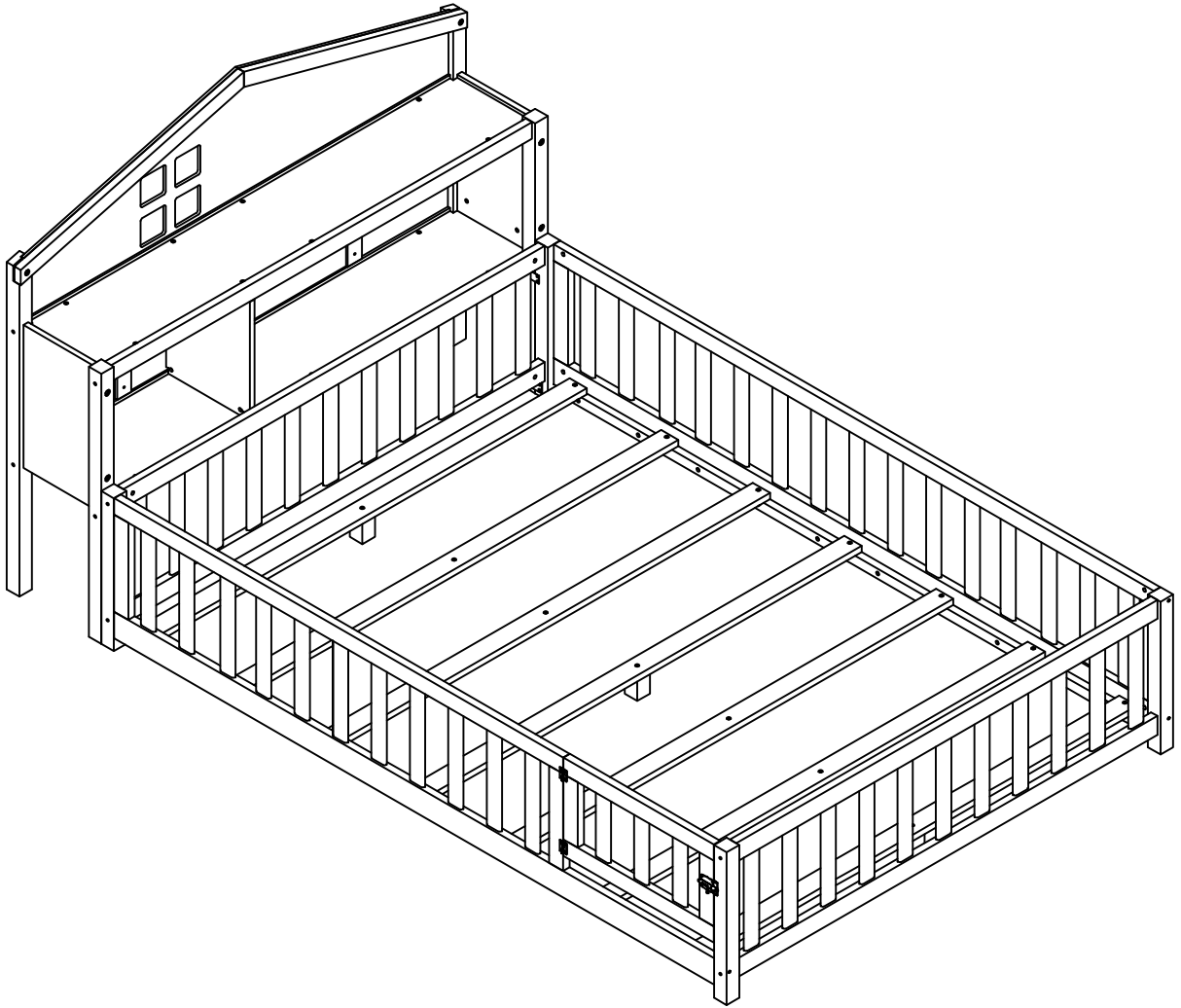


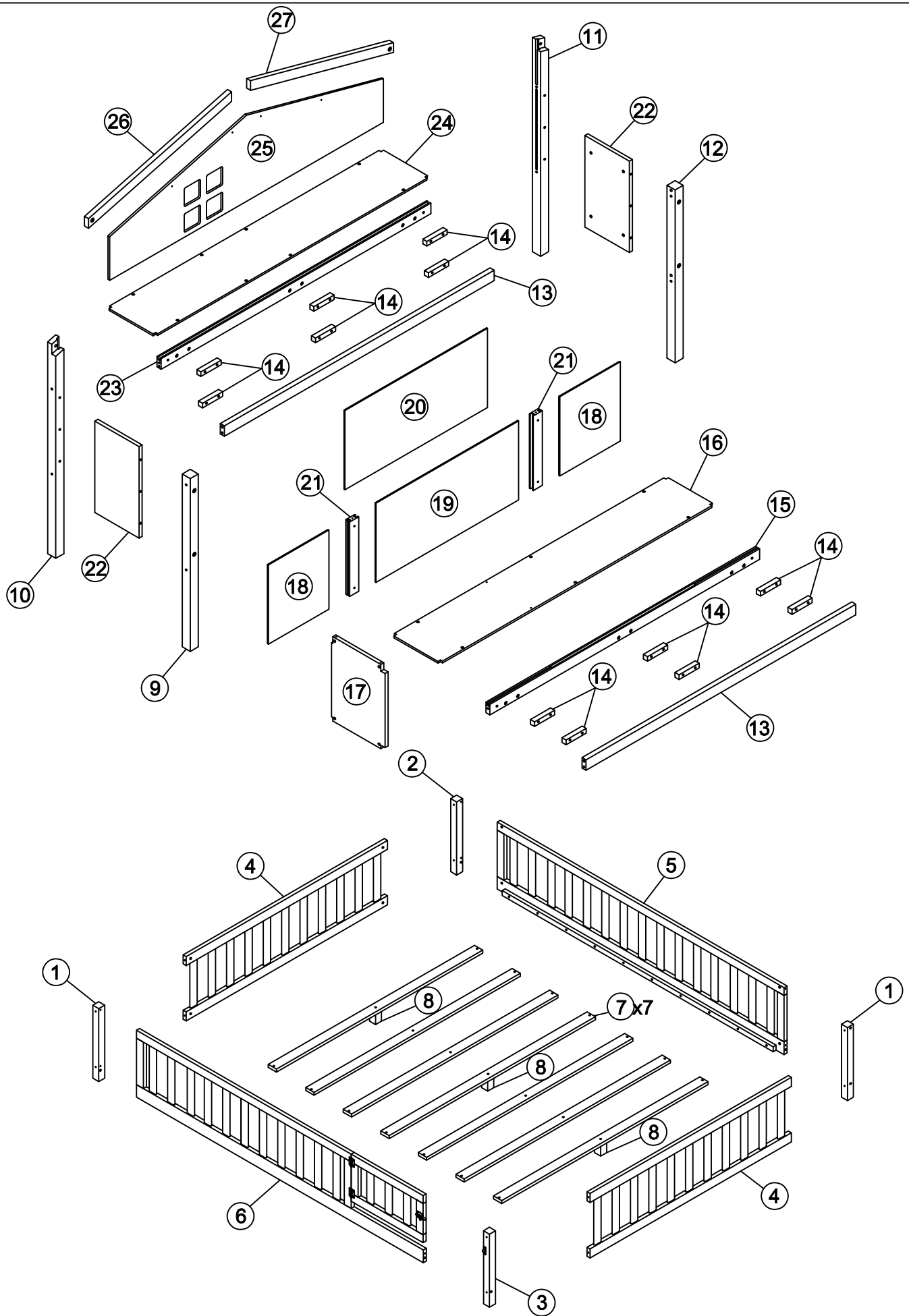
# ASSEMBLY INSTRUCTIONS

FULL SIZE - BOOKCASE HEADBOARD



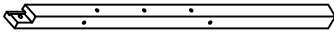

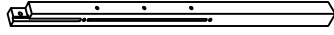

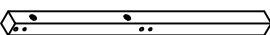
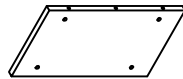
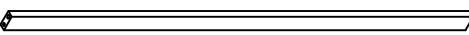

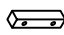

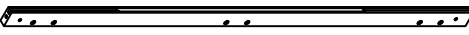

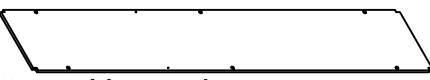
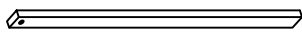
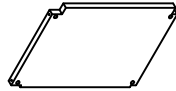
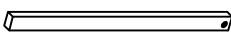
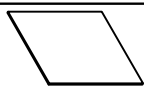
FULL SIZE - FLOOR PLATFORM BED














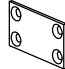

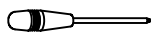
# ASSEMBLY INSTRUCTIONS



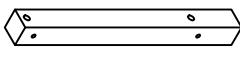
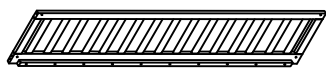
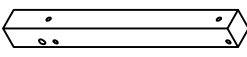
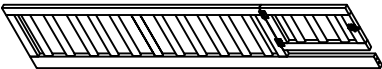
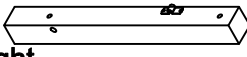
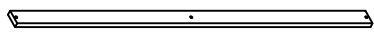
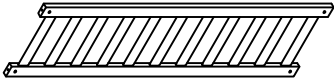

# ASSEMBLY INSTRUCTIONS

<b>9</b>	 Leg front right	1pc		<b>19</b>	 Front between panel frame	1pc
<b>10</b>	 Leg front left	1pc		<b>20</b>	 Back blackboard panel frame	1pc
<b>11</b>	 Leg back left	1pc		<b>21</b>	 Table crossbar	2pcs
<b>12</b>	 Leg back right	1pc		<b>22</b>	 Side panels	2pcs
<b>13</b>	 Front table crossbar	2pcs		<b>23</b>	 Back table crossbar	1pc
<b>14</b>	 Support table crossbar	12pcs		<b>24</b>	 Top table panel	1pc
<b>15</b>	 Back table crossbar	1pc		<b>25</b>	 Front panel	1pc
<b>16</b>	 Bottom table panel	1pc		<b>26</b>	 Support panel	1pc
<b>17</b>	 Table frame panel	1pc		<b>27</b>	 Support panel	1pc
<b>18</b>	 Right & left panel frame	2pcs				





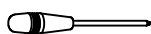
## HARDWARE LIST (JBS0324006-W/S0324006-G/S0324006-WD)

<b>A</b>	1/4x90		8PCS		<b>I</b>	1/4x75		8PCS
<b>C</b>	Ø10x40		4PCS		<b>J</b>	Ø8x30		4PCS
<b>D</b>	4x58		1PC		<b>K</b>	1/4x30		2PCS
<b>E</b>	Ø4x45		4PCS		<b>L</b>	1/4x30		24PCS
<b>F</b>	Ø4x38		4PCS		<b>M</b>	9x10		8PCS
<b>G</b>	Ø4x20		16PCS		<b>N</b>	50x28x2		4PCS
<b>H</b>	Ø4x15		16PCS			Phillip head screw Not include		

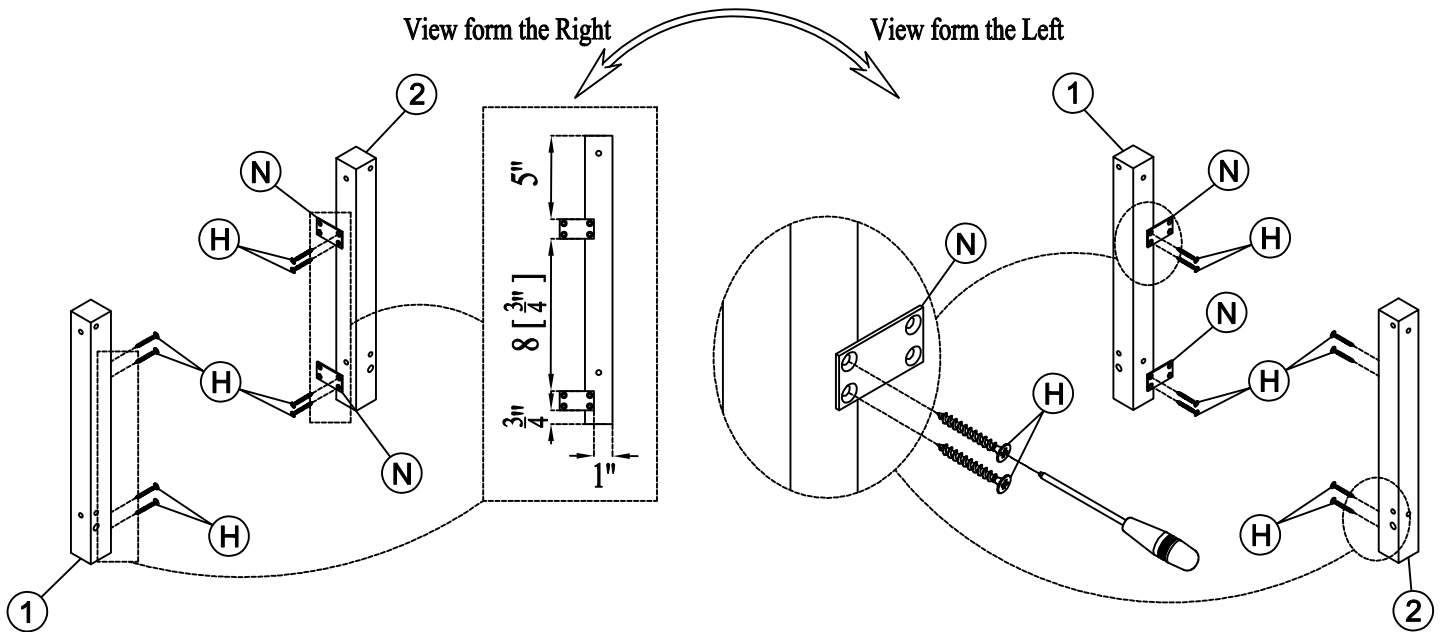
# ASSEMBLY INSTRUCTIONS

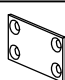

<b>1</b>	 Legs of the front left & rear right	2pcs		<b>5</b>	 Guard rails	1pc
<b>2</b>	 Legs of the back left	1pc		<b>6</b>	 Guard rails	1pc
<b>3</b>	 Legs of the front right	1pc		<b>7</b>	 Slats	7pcs
<b>4</b>	 Headboard frame	2pcs		<b>8</b>	 Center rails support legs	3pcs

## HARDWARE LIST (JBSP0822003/JBSP0822004/JBSP0822005)

<b>A</b>	1/4x90		15PCS	<b>D</b>	4x58		1PC
<b>B</b>	Ø4x30		17PCS		Phillip head screw		
<b>C</b>	Ø10x40		4PCS		Not include		

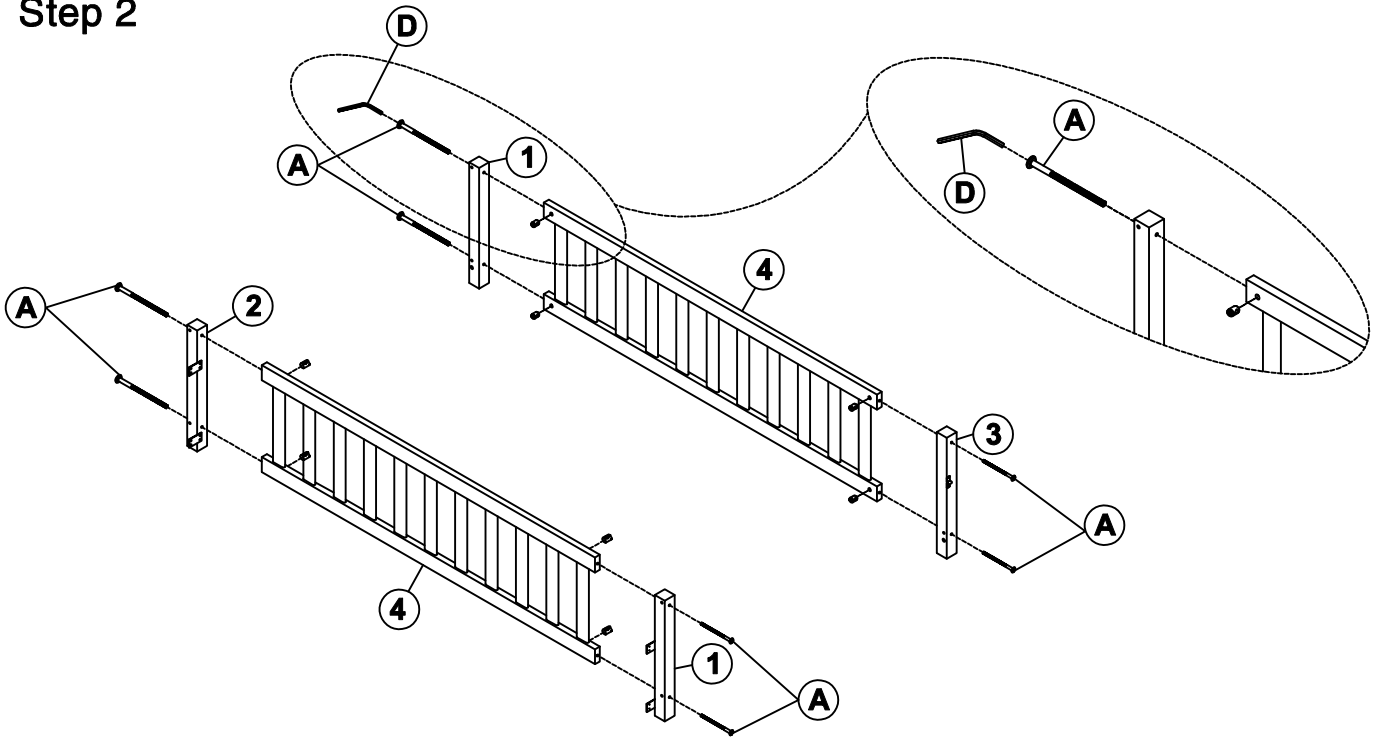
### Step 1





<b>N</b>	50x28x2		4PCS	<b>H</b>	Ø4x15		8PCS
----------	---------	---	------	----------	-------	---	------

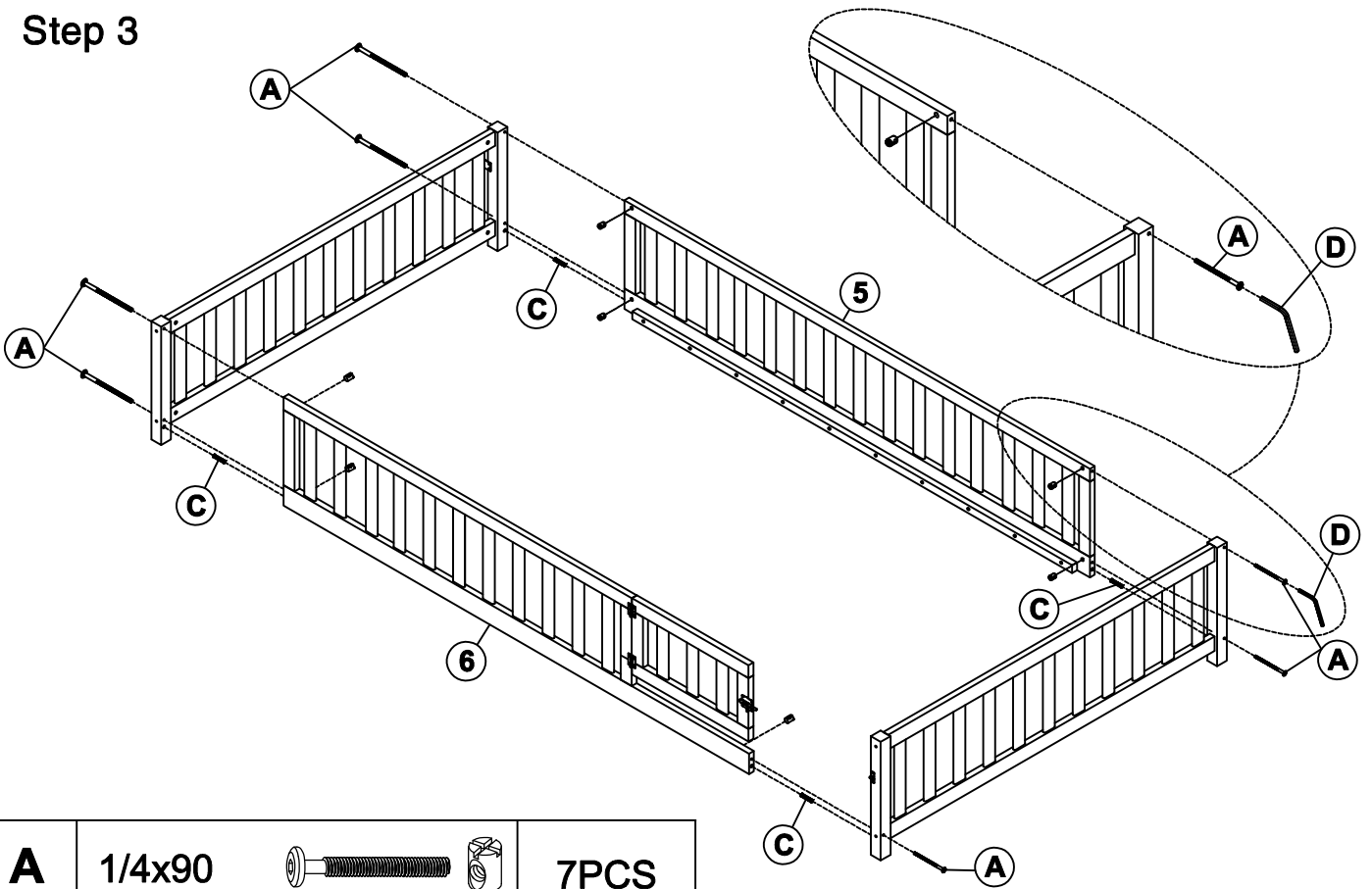
# ASSEMBLY INSTRUCTIONS




## Step 2



<b>A</b>	1/4x90		8PCS	<b>D</b>	4x58		1PC
----------	--------	--	------	----------	------	--	-----

## Step 3



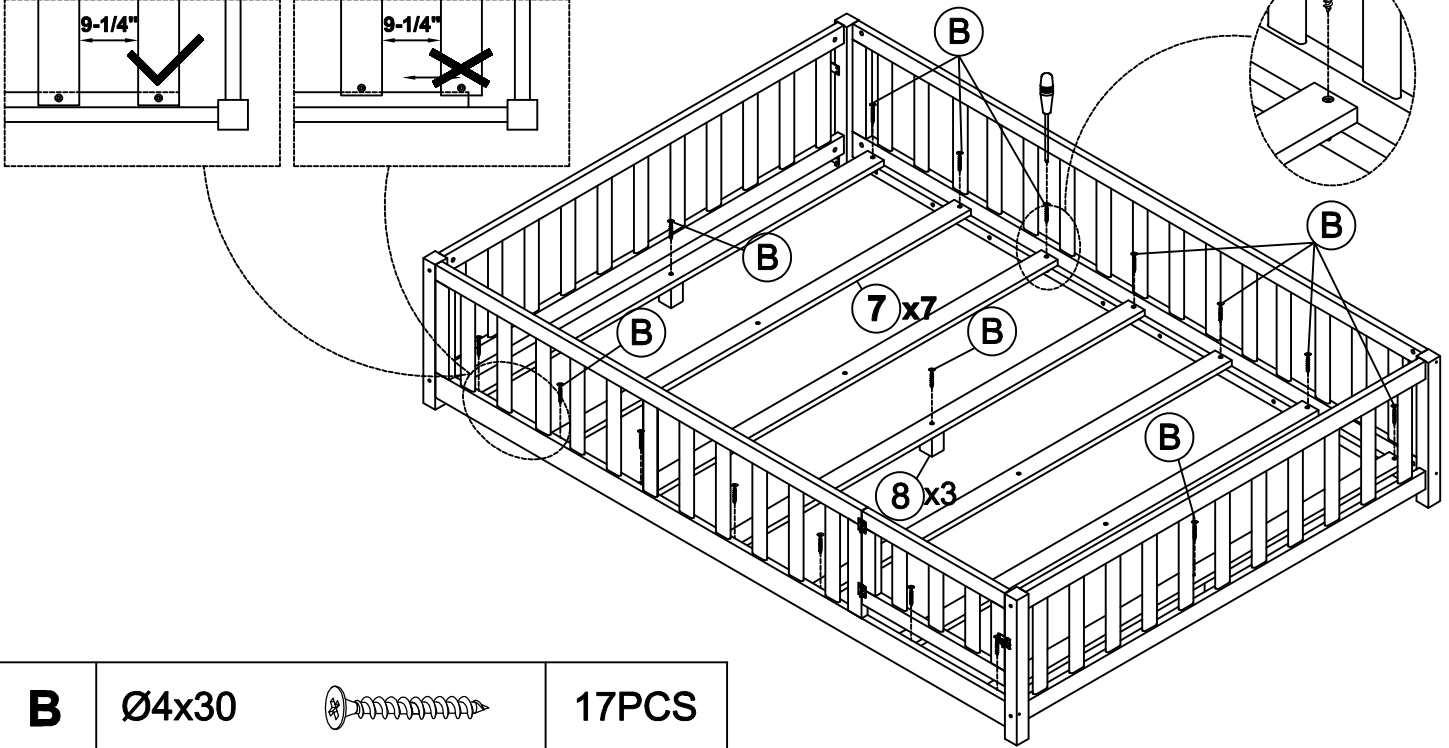
<b>A</b>	1/4x90		7PCS	<b>C</b>	Ø10x40		4PCS	<b>D</b>	4x58		1PC
----------	--------	---	------	----------	--------	---	------	----------	------	---	-----

# ASSEMBLY INSTRUCTIONS

## Step 4

First attach 2pcs part 7 to the front and end of the frame, between side rails.

Then attach the remaining part 7 equidistantly between side rails.

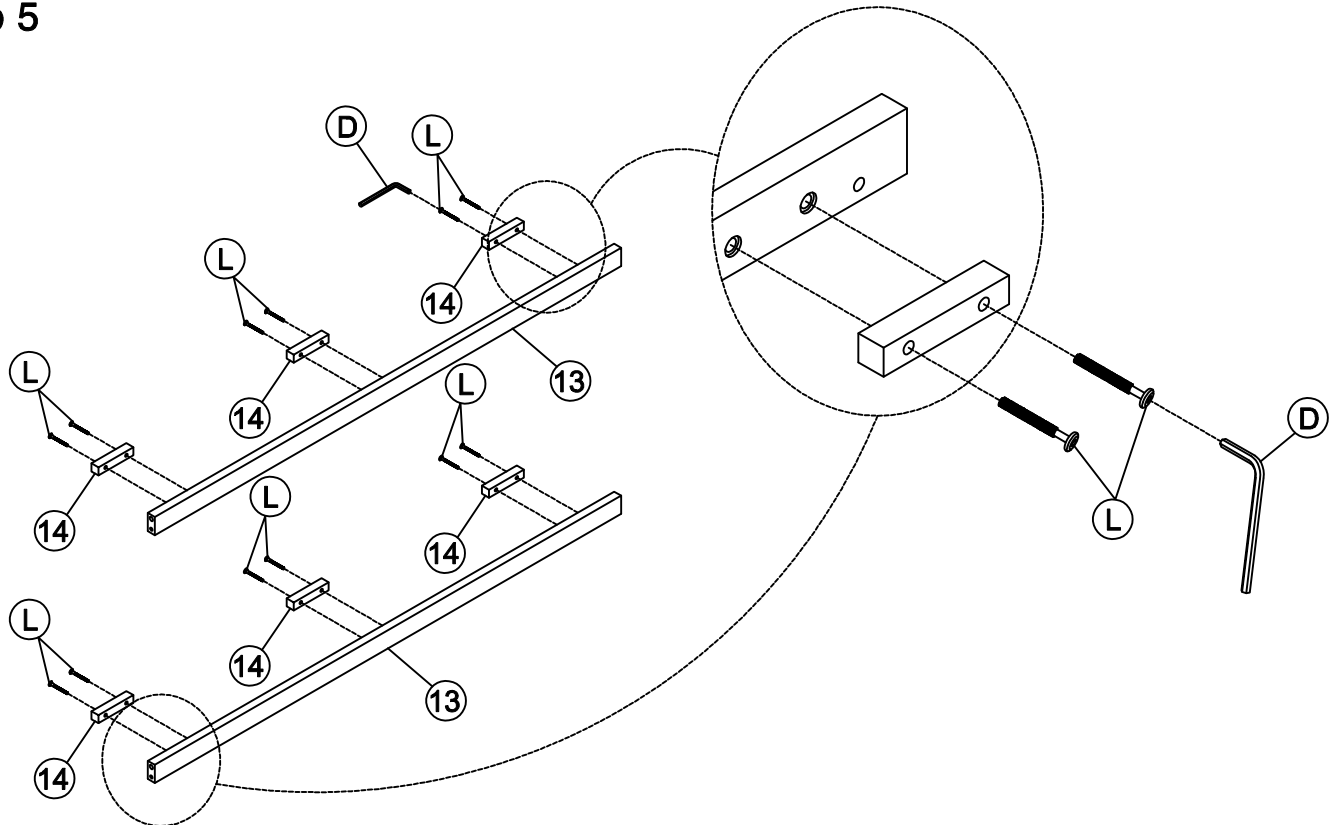


**B** Ø4x30



17PCS

## Step 5

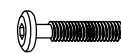


**D** 4x58



1PC

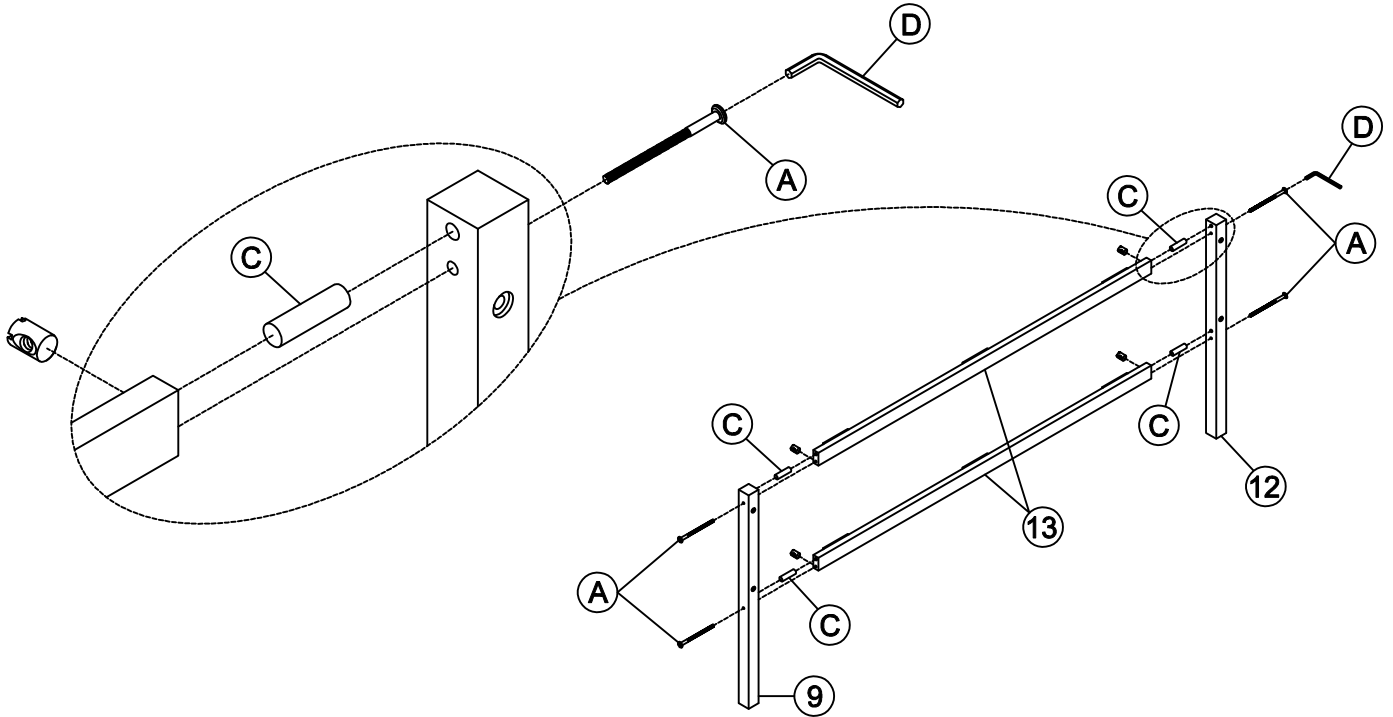
**L** 1/4x30






12PCS

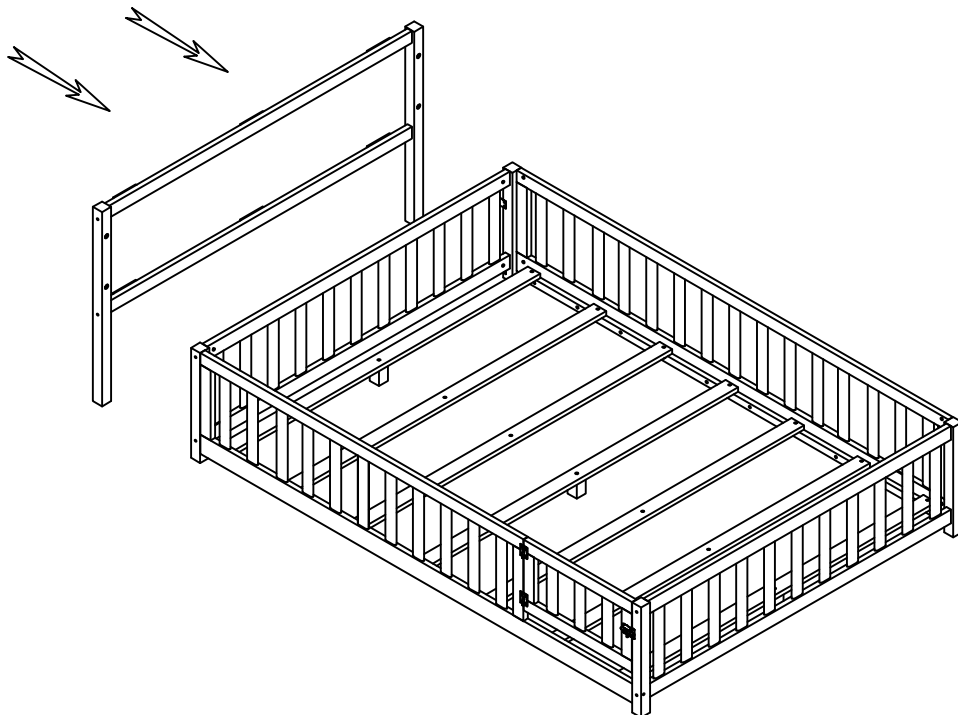
# ASSEMBLY INSTRUCTIONS

## Step 6



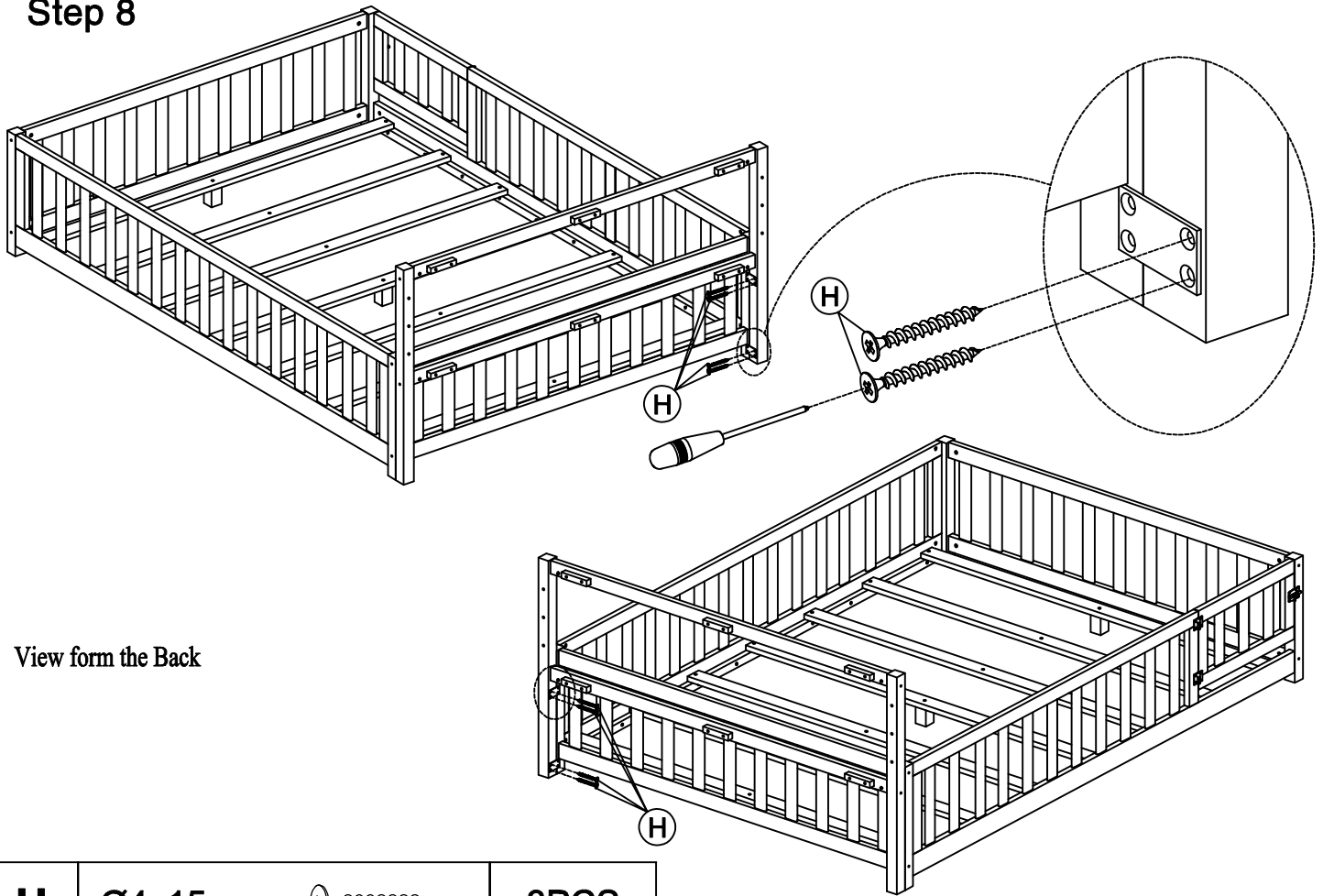
<b>D</b>	4x58		1PC				
<b>C</b>	Ø10x40		4PCS	<b>A</b>	1/4x90		4PCS

## Step 7



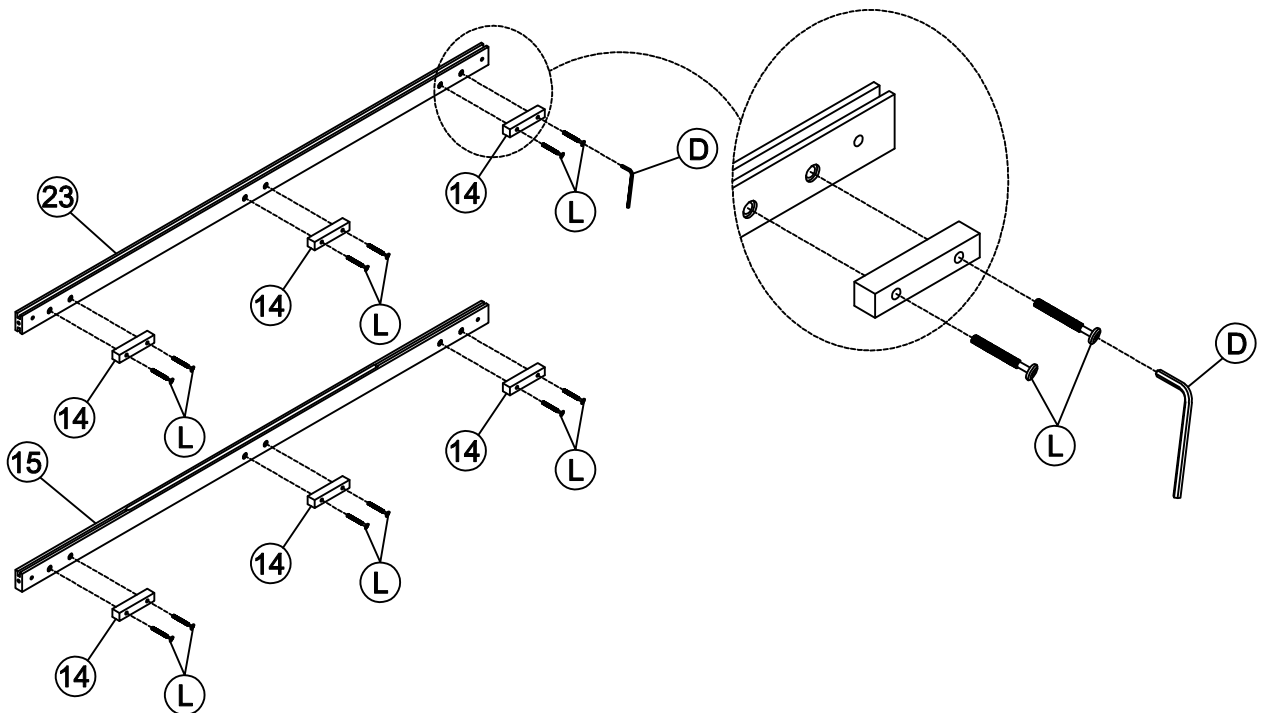
# ASSEMBLY INSTRUCTIONS



## Step 8



**H** Ø4x15  **8PCS**

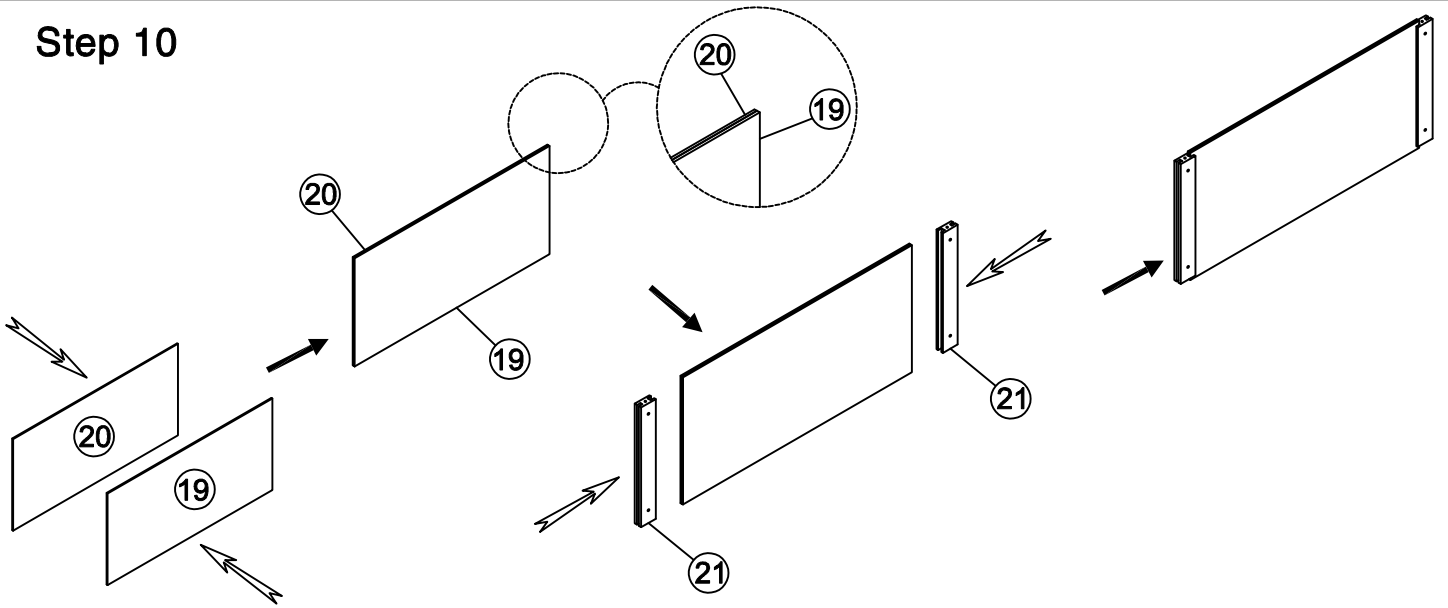
## Step 9



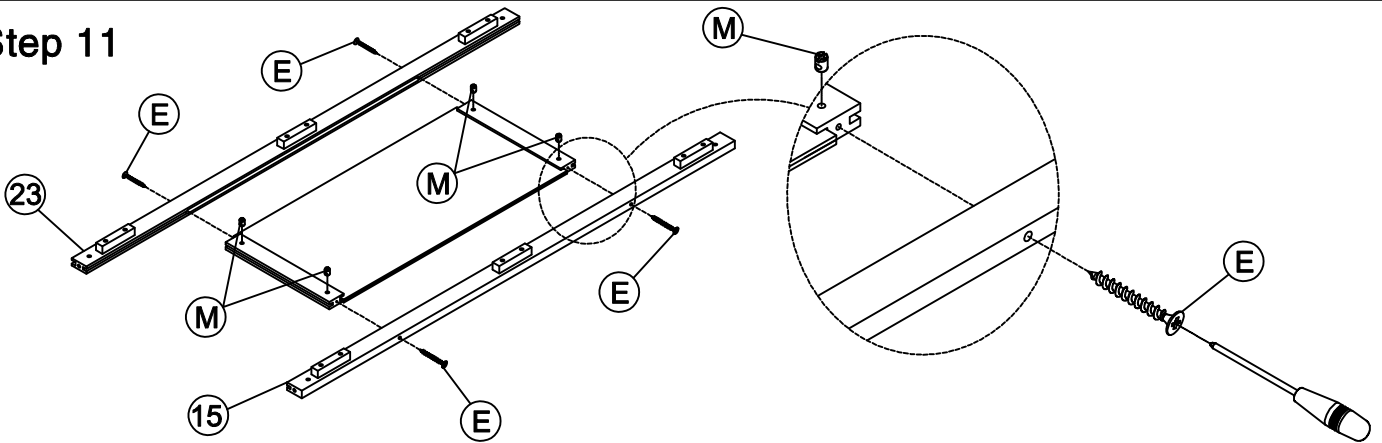
**D** 4x58  **1PC** **L** 1/4x30  **12PCS**



# ASSEMBLY INSTRUCTIONS

## Step 10

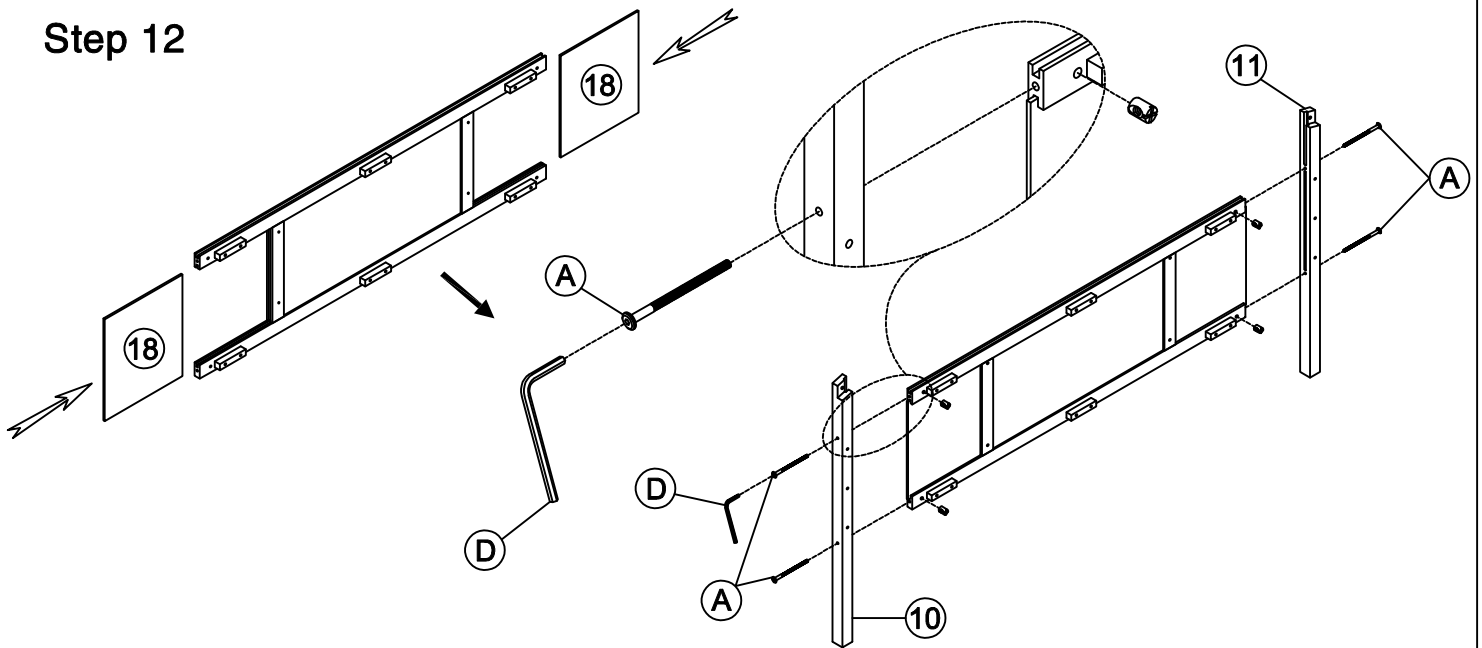




## Step 11



<b>E</b>	Ø4x45		4PCS	<b>M</b>	9x10		4PCS
----------	-------	---	------	----------	------	---	------

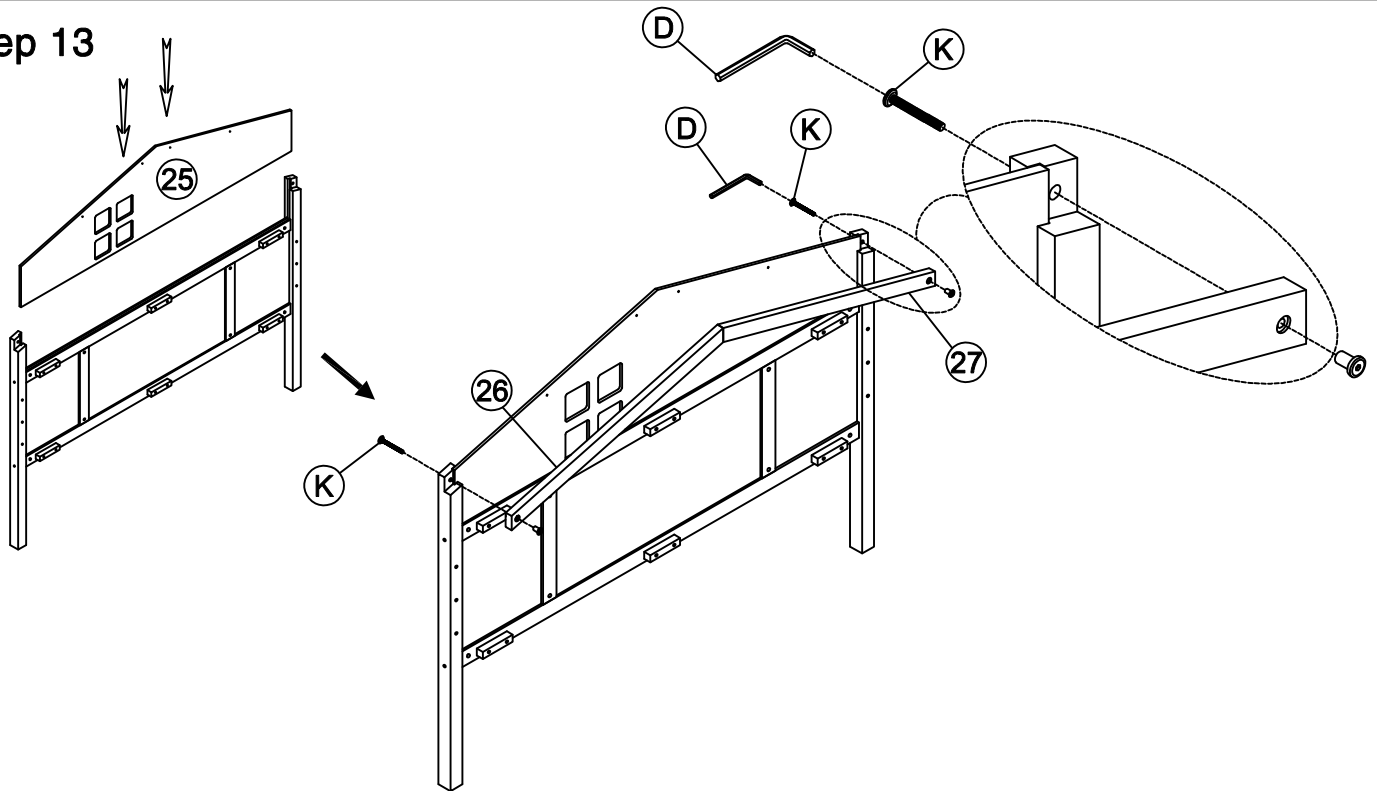
## Step 12





<b>A</b>	1/4x90		4PCS	<b>D</b>	4x58		1PC
----------	--------	---	------	----------	------	---	-----

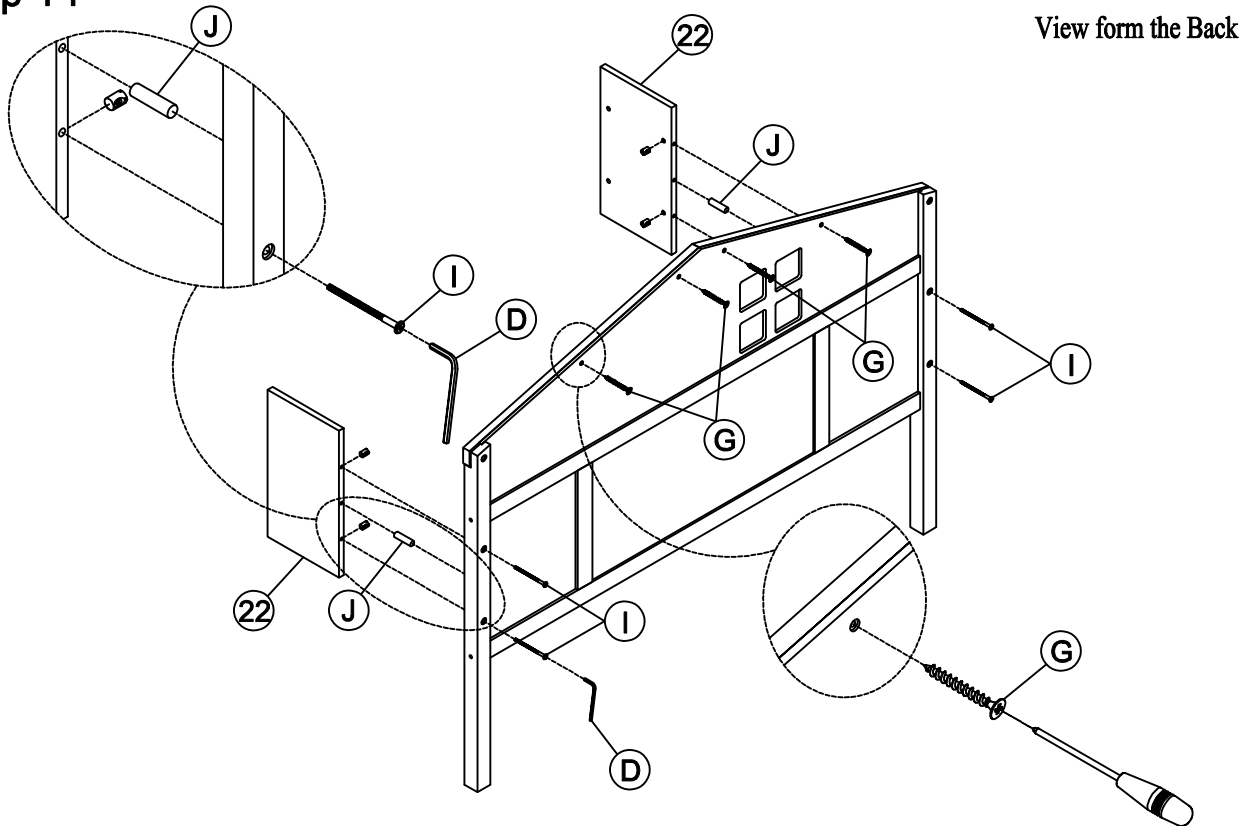
# ASSEMBLY INSTRUCTIONS





## Step 13



<b>K</b>	1/4x30		2PCS	<b>D</b>	4x58		1PC
----------	--------	--	------	----------	------	--	-----

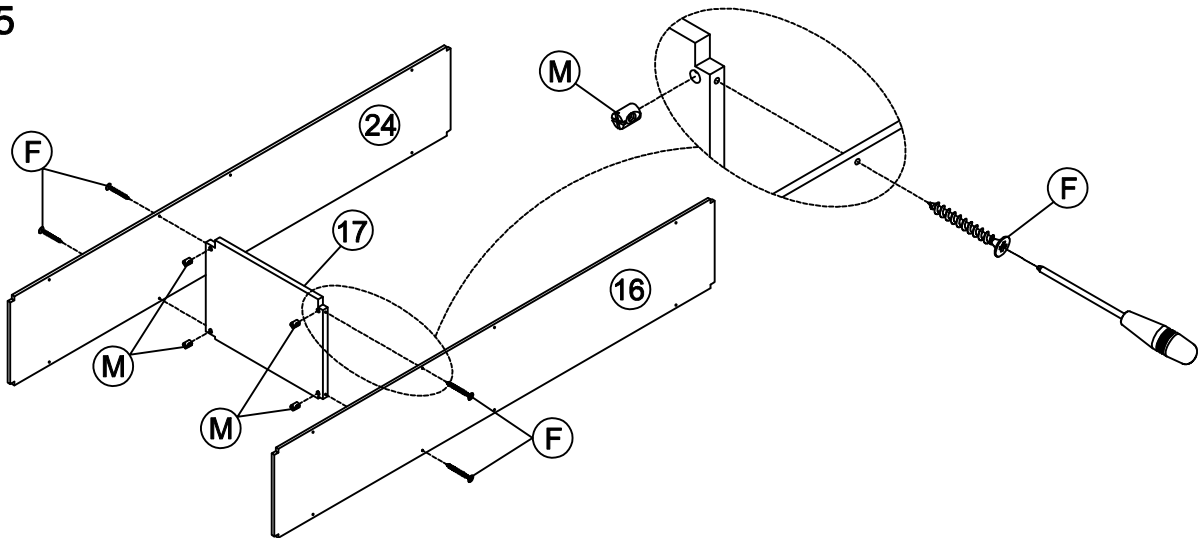
## Step 14





<b>G</b>	Ø4x20		4PCS	<b>D</b>	4x58		1PC
<b>I</b>	1/4x75		4PCS	<b>J</b>	Ø8x30		2PCS

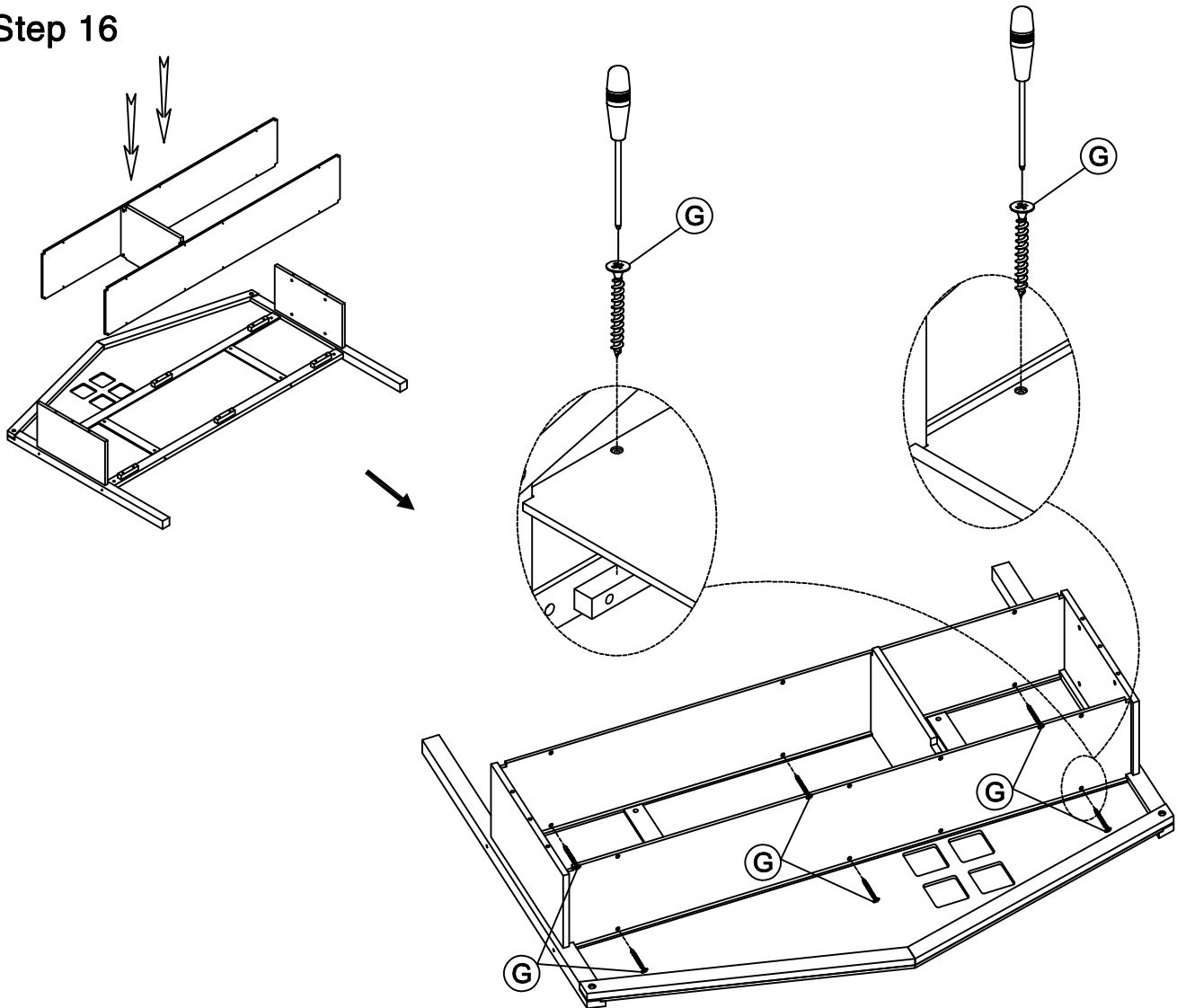
# ASSEMBLY INSTRUCTIONS

## Step 15



<b>F</b>	Ø4x38		4PCS	<b>M</b>	9x10		4PCS
----------	-------	---	------	----------	------	---	------

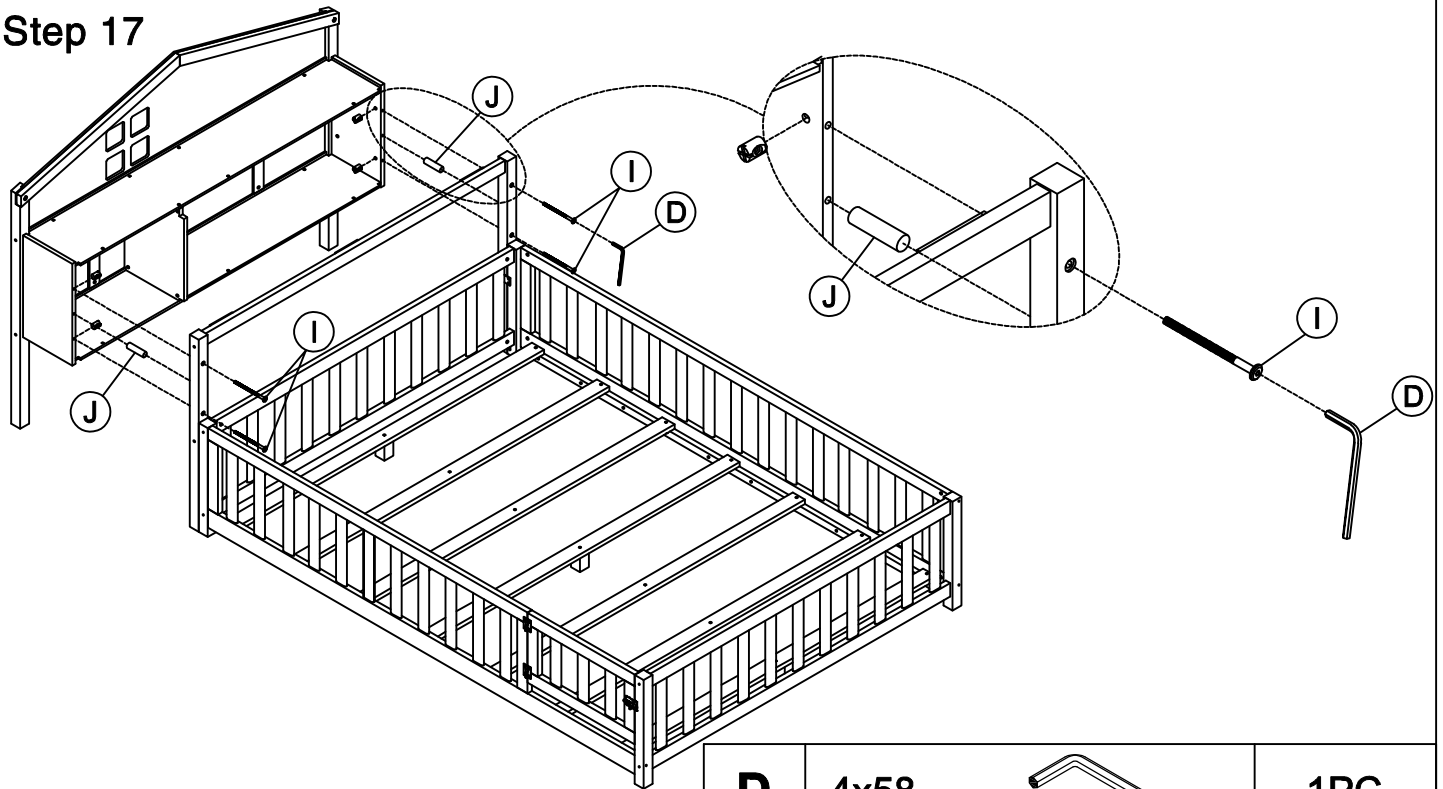
## Step 16






<b>G</b>	Ø4x20		6PCS
----------	-------	---	------

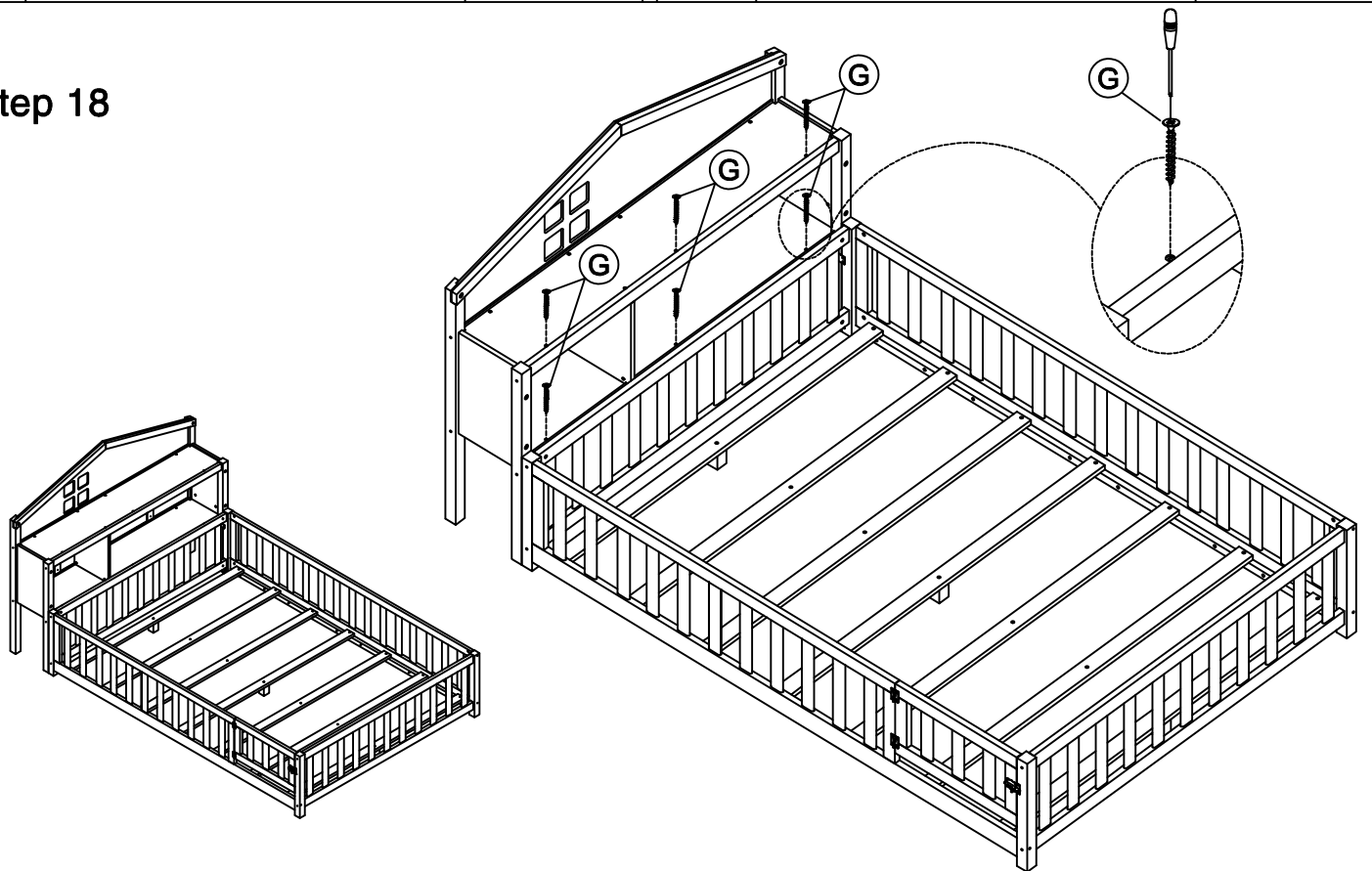
# ASSEMBLY INSTRUCTIONS


## Step 17



<b>D</b>	4x58		1PC
<b>I</b>	1/4x75		4PCS
<b>J</b>	Ø8x30		2PCS

## Step 18



<b>G</b>	Ø4x20		6PCS
----------	-------	---	------