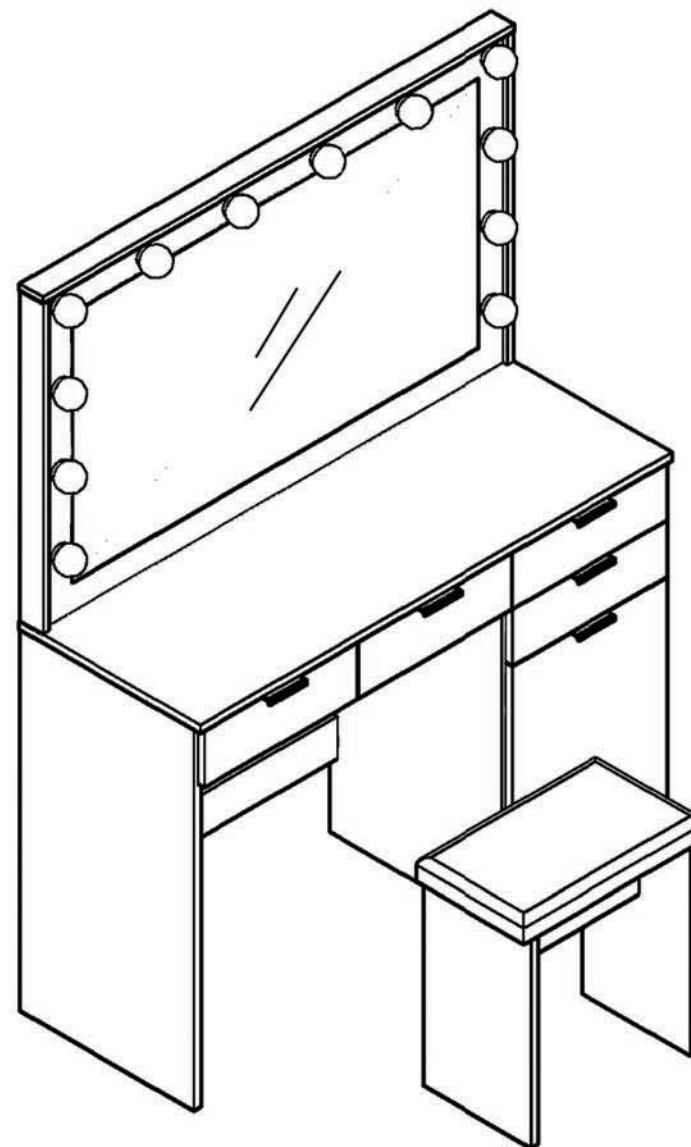
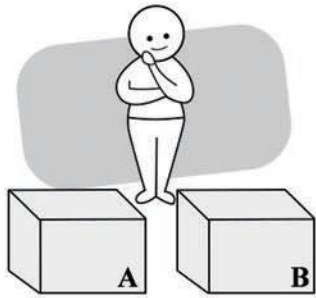


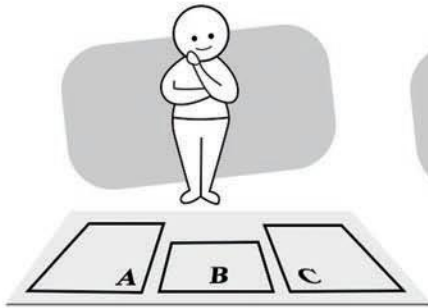
USER MANUAL



Preparation before installation



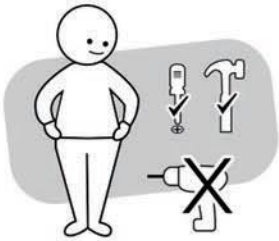
Check the number of parcels before you begin assembly



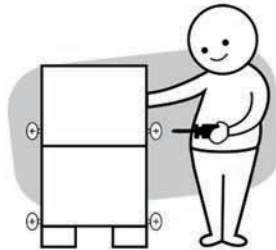
Identify and lay out all of the components before you begin assembly
(It is best to spread it on the ground)



Read through the instructions carefully before you begin



Make sure you have all the required tools.
Never use power tools unless instructed.



Unless instructed, do not fully tighten screws until the item is fully assembled.

Important before assembly:

- ! Read these instructions carefully before assembling or using the product.
- ! Please check the contents of the boxes before attempting to assemble this product. The instructions will have a checklist of parts and fittings.
- ! It would be sensible to lay a rug or a carpet on the floor where you intend to assemble the product, to avoid scratches and damaging the product or the floor.
- ! Assemble the product as close to its intended final location/room as possible.
- ! Do **NOT** use any power tools as this may damage the frame.



General Care & Maintenance

Your furniture, if treated with respect and love, will last you a long time.
Each piece requires light maintenance to maximize its longevity.

Few quick tips before using this product:

1. Recommended weight limit for the table top is 30lbs and 25lbs for each storage compartment.
2. Avoid uneven weight distribution for long time as it may cause damage to the product shape.
3. Table top may not slide smoothly when table is overloaded by weight.
4. Check and tighten the camlock and screw periodically as it may loose over the time.

How to take care of it?

1. Avoid direct sunlight or use curtains or blinds to limit the sun exposure to the product.
2. Clean the product regularly with a dry, soft cloth.
3. Avoid using abrasive or liquid cleanser.
4. Avoid placing hot objects onto the table top surface
5. Spillage may damage the surface. Clean immediately with a dry cloth
6. We recommend using placemats or coasters underneath glasses, cups, bowls or plates to prevent scratches to the table surface.

NOTES:

When moving your product, carefully lift into place. Never drag or push the product across the floor as this will cause damage to the joints. If the product is used on hard flooring, such as wood or laminated floor, you must place some protection under the legs to stop the product from moving. If this is not adhered to, it could result in failure to the product that will invalidate the warranty.



Safety and Care Advice

Important – Please read these instructions fully before starting assembly

- Check you have all the components and tools listed on the following pages.
- Remove all fittings from the plastic bags and separate them into their groups.
- Keep children and animals away from the work area, small parts could choke if swallowed.
- Make sure you have enough space to lay out the parts before starting.

- During assembly, do not stand or put weight on the product, this could cause damage.
- Assemble the item as close to its final position (in the same room) as possible.
- Assemble on a soft level surface to avoid damaging the unit or your floor.
- Parts of the assembly will be easier with 2 people.



• We do not recommend the use of power drivers for inserting screws, as this could damage the unit. Only use hand screw drivers.

Glue safety - Take care when using glue, please follow the advice below

Skin contact: Remove contamination by washing with soap and water. This procedure should also be followed prior to eating and drinking.

Eye contact: Rinse immediately with clean water for 15 minutes and seek medical advice.

If swallowed: Seek medical advice immediately.

Care and maintenance

• Only clean using a damp cloth and mild detergent, do not use bleach or abrasive cleaners.

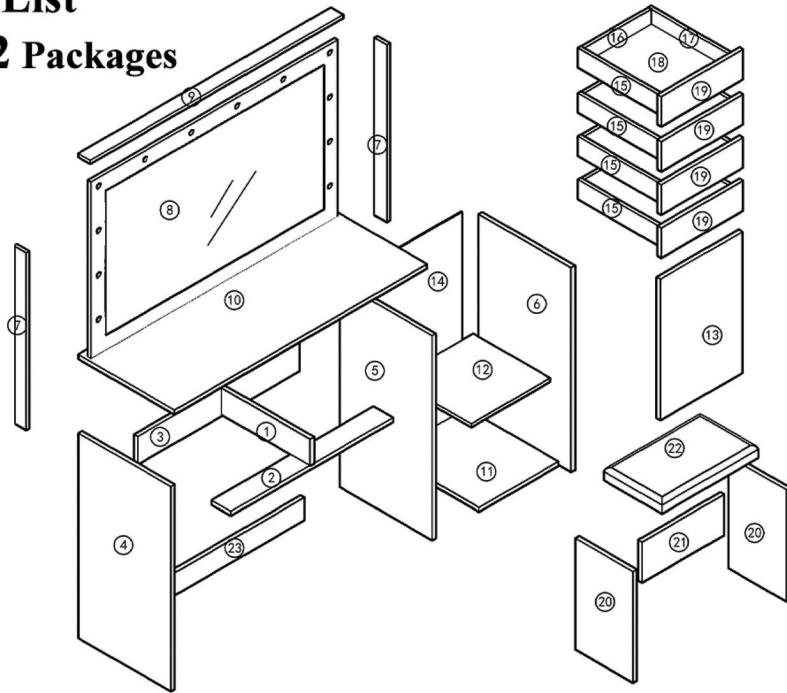
• From time to time check that there are no loose screws on this unit.

• This product should not be discarded with household waste. Take to your local authority waste disposal centre.

Note: if required the next page can be cut out and used as reference throughout the assembly. Keep this page with these instructions for future reference.

Parts List

Total 2 Packages



Part	In Box	Qty
①	2	1pcs
②	1	1pcs
③	2	1pcs
④	1	1pcs
⑤	1	1pcs
⑥	1	1pcs
⑦	2	2pcs
⑧	2	1pcs
⑨	2	1pcs
⑩	2	1pcs
⑪	1	1pcs

Part	In Box	Qty
⑫	1	1pcs
⑬	1	1pcs
⑭	2	1pcs
⑮	1	4pcs
⑯	1	4pcs
⑰	1	4pcs
⑱	1	4pcs
⑲	1	4pcs
⑳	1	2pcs
㉑	1	1pcs
㉒	1	1pcs
㉓	1	1pcs



Return & Refund

While we hope you'll be happy with Furniture items, if sometimes you need to return them. This policy has all the information you'll need to know.

1. How to cancel my order?

If you wish to cancel your order for any reason, please contact us immediately. Only orders that have not yet been dispatched can be canceled. If the order has already been dispatched we will not be able to cancel at the platform and the below policy will apply.

2. How do I make a return?

If you wish to return an item that is no problem. We're happy to offer a refund or an exchange, as long as it's within the return period. You must return the item(s) to us within 30 days of receiving your order. To make the return process as quick and smooth as possible, please follow the below steps:

- a. Contact us by email within 30 days of your delivery to let us know you would like to return or exchange as well as why you would like to do so. We will solve the problem for you then.
- b. Make sure the item your order is in the original boxes. If you have not kept the original boxes, it is your responsibility to make sure the products are re-boxed, we do not provide additional boxes. Items must not have been used or assembled in any way. Please include the return slip in the box or write your order number on the outside.

3. Receiving your refund

When we reach a consensus, we will refund the money to the same way you paid for the product.

Please allow up to 5-14 working days for the refund to show in your account, which is the time for the bank to operate the refund.

? Frequently Asked Questions

1. I received a damaged package.

When you receive a damaged box, please open this package and check if there are any damaged or missing components inside the box. If so, please provide pictures and contact us through the platform. We will promptly resolve your issue.

2. I received the wrong color or product, which is not what I ordered.

Please provide the following pictures as requested and send them to us through the platform. We will provide a solution as soon as we receive your pictures:

- the item No. on the package.
- the shipping label on the package.
- the actual item you received.




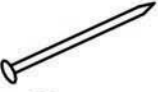

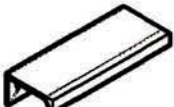
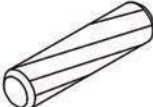


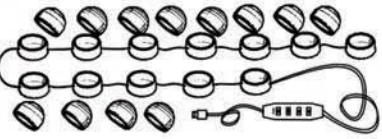
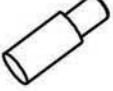
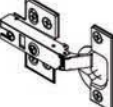

3. My order is incomplete.




Normally, we will send you 1, 2 or 3... packages according to your order. If product you received is incomplete, please contact us to update other package information to you. Missing parts should be reported within 48 hours after delivery. Please email us a description. Once the email and photos have been received, we will contact you to send out spare parts.

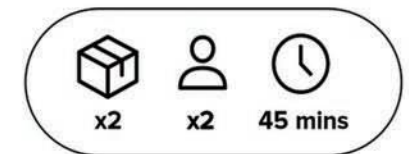
4. My item is faulty.

If your item faulty, please provide us with some pictures or videos (if the box is also damaged) through the platform, and we will provide a solution after receiving your pictures. We do our best to make sure all orders arrive in perfect condition. In the rare event that it does not, our customer services team is here to help.

Hardware List

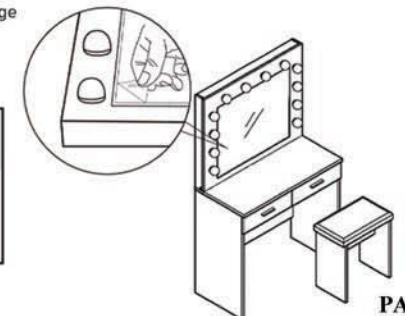
A 28pcs  15*34	B 62pcs  40*5	C 4pcs  350mm	D 30pcs  22mm
E 54pcs  14*3.5	F 5pcs  64mm	G 6pcs  40*8	H 10pcs  10*12
I 32pcs  Ø13	J 1pcs 		K 4pcs  5*6
L 2pcs  Hinge			

-  There are inner box(es) that include components required to complete this assembly.
-  Please do not completely tighten all the hardware, until the entire assembly is complete.
-  Before discarding the packaging, please use the checklist to ensure that you have all the parts required to assemble your product. Please kindly note you will need the original package if you want to return the product later.




 **WARNING NOTE**

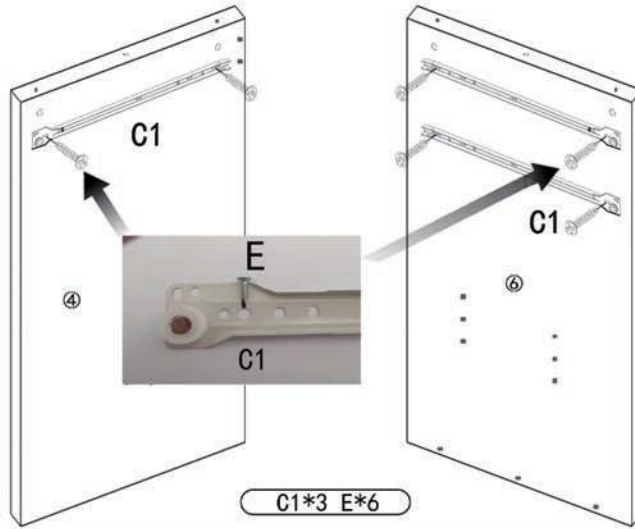
There is a protective film on the mirror, please remove it AFTER INSTALLATION.



STEP 1


Fix runners C1 on board
④ and ⑥ with screws E

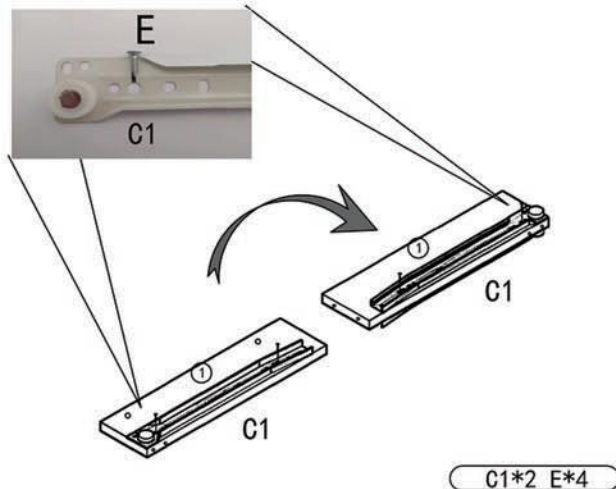
 **NOTE**
Please choose right hole



STEP 2

Fix 2pcs runners C1 on both
sides board ① with screws E

 **NOTE**
Please choose right hole



PROTECTIVE FILM

Please remove the
protective film before using.

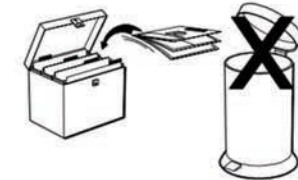
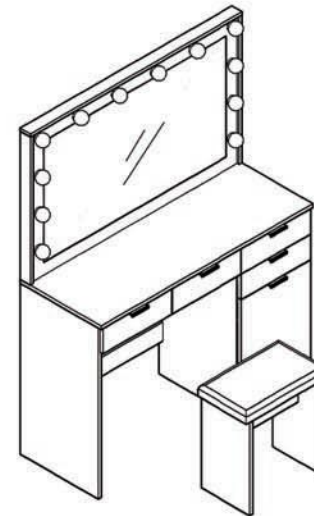


Assembly Completed

Your Dressing Table/Stool is now completely assembled

Periodically check to ensure that the components are in their proper position, free from damage

Also, make sure the connectors are tight and secure.



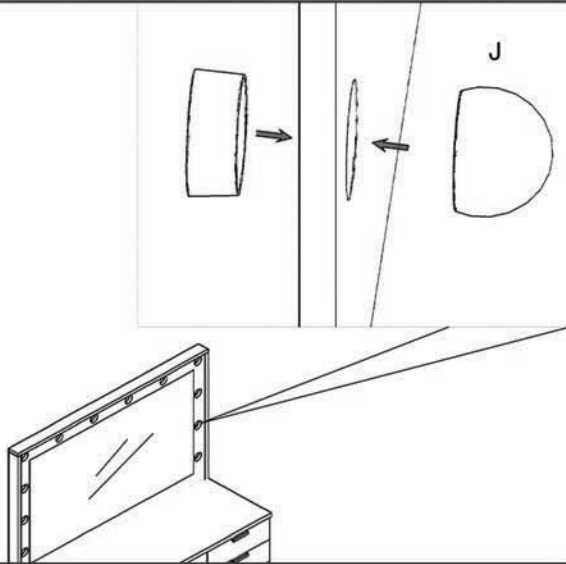
Keep instructions for future reference

WARNINGS

- ! This product should only be used on a firm and level floor.
- ! **DO NOT** use this product if parts are missing, damaged or worn.
- ! **DO NOT** sit or stand on the table.
- ! **DO NOT** stand on the Stool

STEP 25

Fix bulb as picture showing



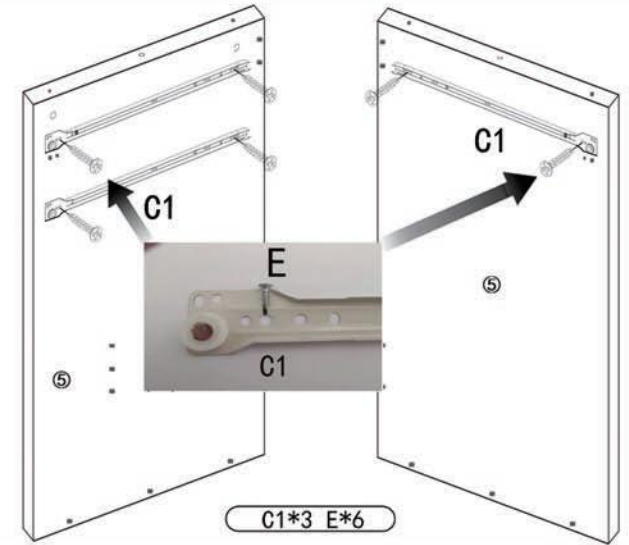
STEP 3

Fix runners C1 on board ⑤
with screws E



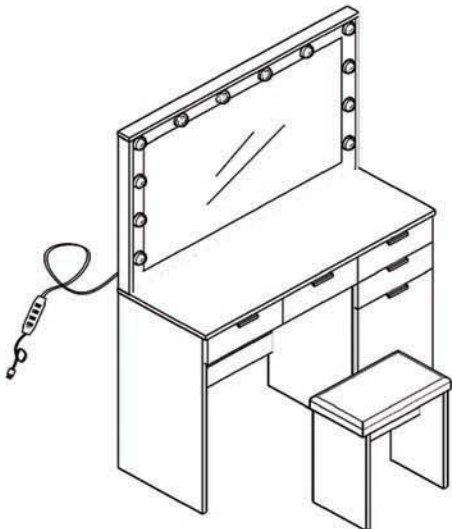
NOTE

Please choose right hole



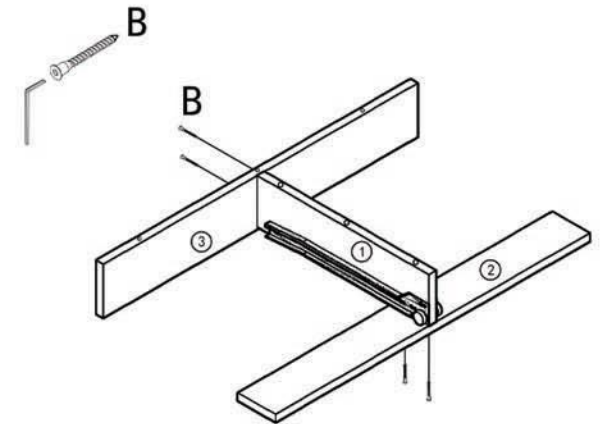
STEP 26

Dressing table finished



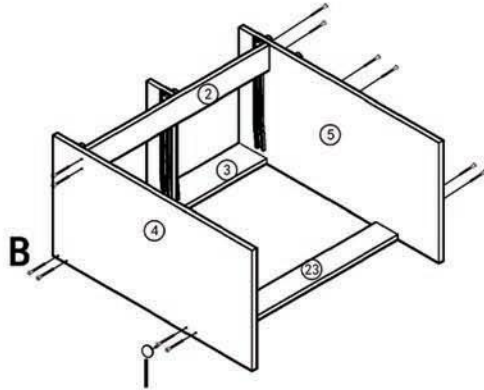
STEP 4

Connect board ① to ③
and ② with screws B



STEP 5

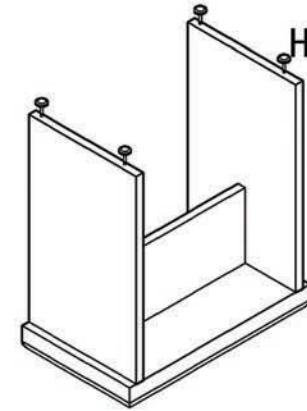
Connect to board ④ and ⑤
and ② with screws B



B*12 I*12

STEP 23

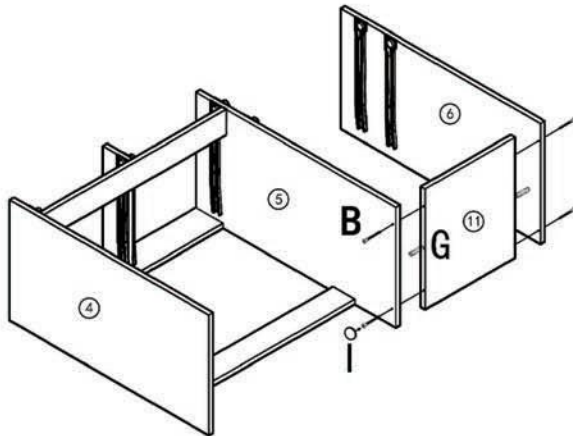
Install 4 screws H



H*4

STEP 6

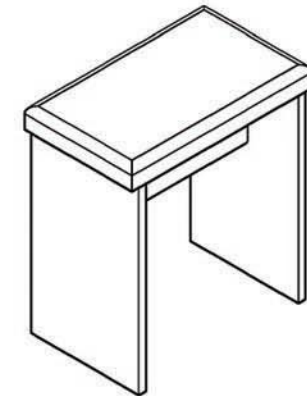
Connect board ⑤ and ⑥
and ⑪ with screws B, and
wood screw G, and cover
screw top with part I.



B*4 G*2 I*4

STEP 24

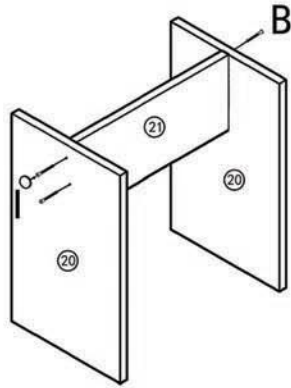
Stool finished



STEP 21

Install the stool

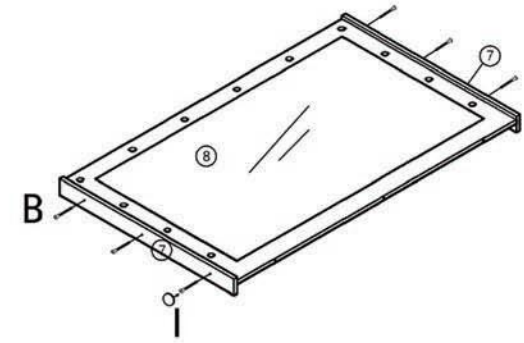
Connect board ⑳ to board ㉑ with screws B, cover screws top with part I.



B*4 I*4

STEP 7

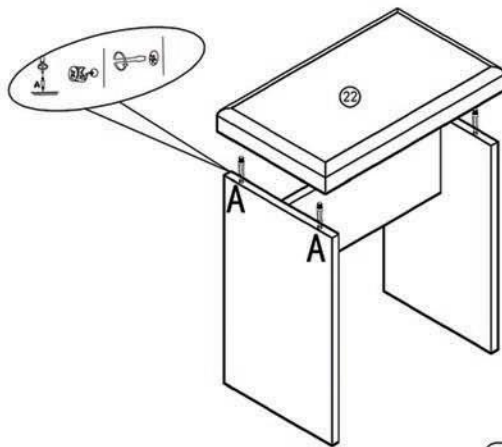
Fix 2 pcs board ㉑ to board ㉒ with screws B, and cover screws top with part I.



B*6 I*6

STEP 22

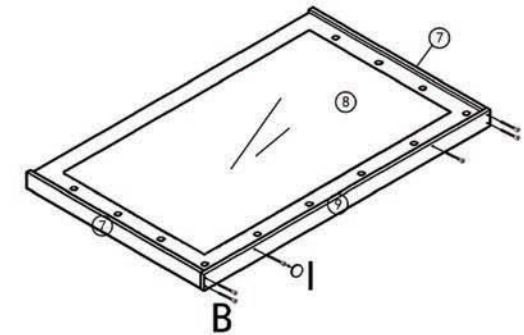
Connect board ㉒ to board ㉑ with screws A.



A*4

STEP 8

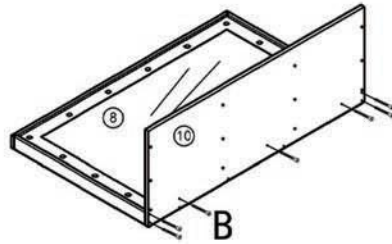
Fix board ㉑ to board ㉒ with screws B, and cover screws top with part I.



B*6 I*6

STEP 9

Connect board ⑩ to board ⑧ with screws B



B*7

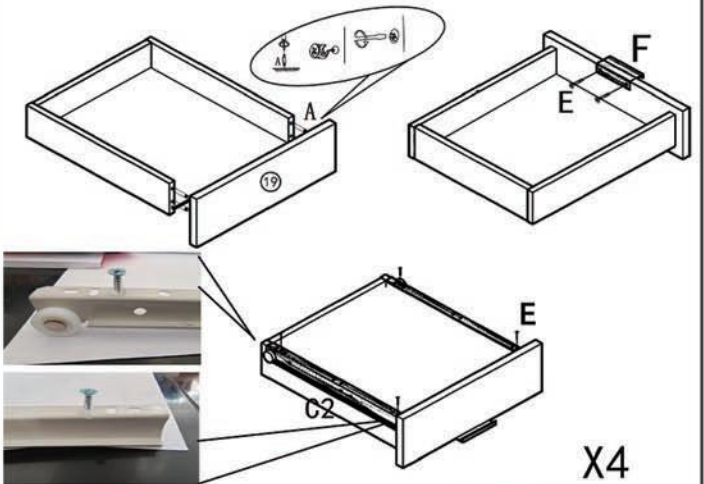
STEP 19

Connect board ⑱ with board ⑮ ⑰ ⑱ with part A, put on part F with screws E, then fix runners C2 on the bottom of the drawers.



NOTE

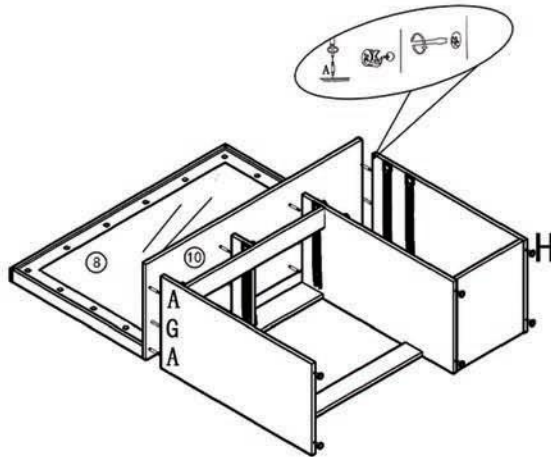
Please choose right hole



C2*2 A*4 E*6 F*1

STEP 10

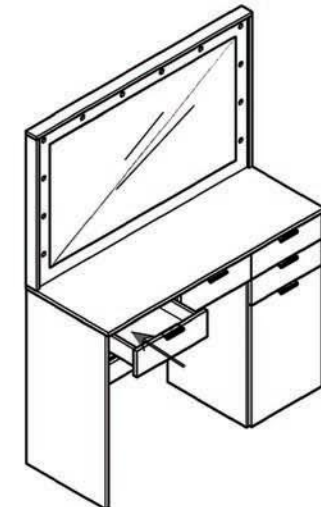
Connect the previous part with board ⑩, using screw A and G, and fix 6 pcs part H.



A*8 G*4 H*6

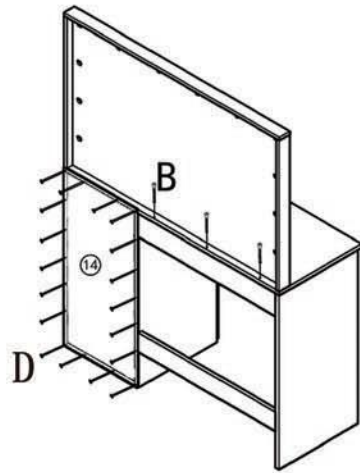
STEP 20

Push in all the drawers



STEP 17

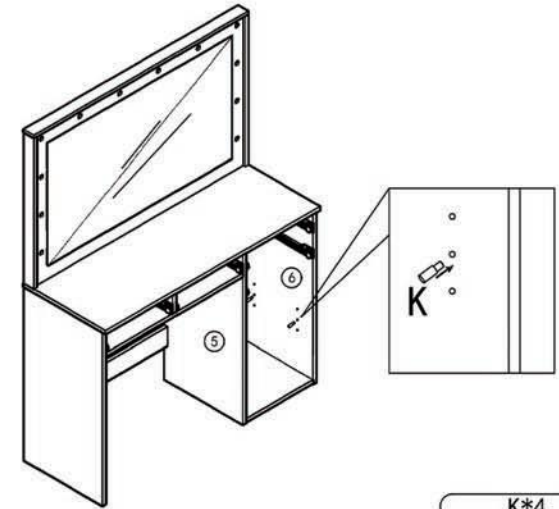
Fix board ⑭ with 30 pcs screws D, and 3 screws B need install too.



B*3 D*30

STEP 11

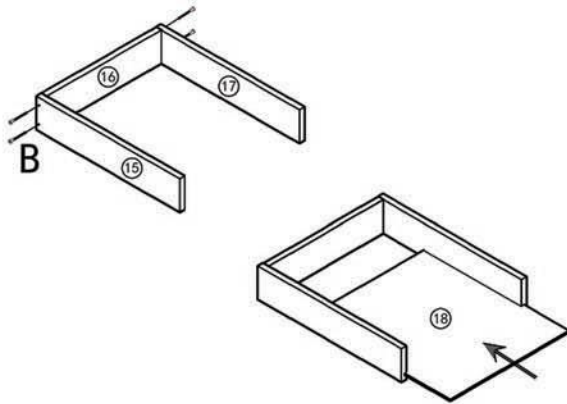
Part K can put on the position you like.
You have 3 options



K*4

STEP 18

Connect board ⑮ and ⑰ with screws B, then push board ⑱ in.
Total 4 drawers need install.

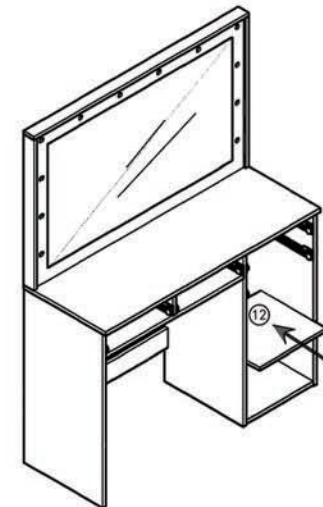


X4

B*4

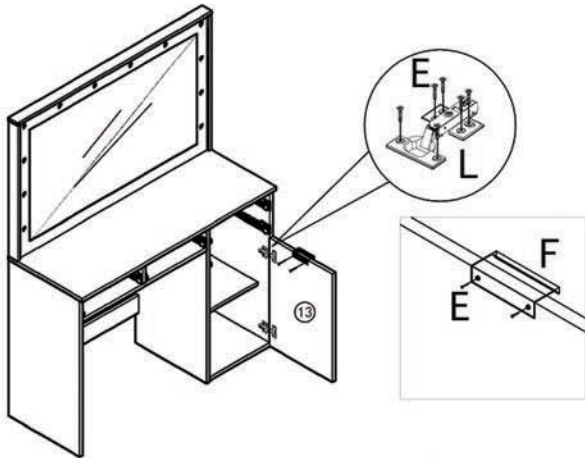
STEP 12

Push in board ⑲



STEP 13

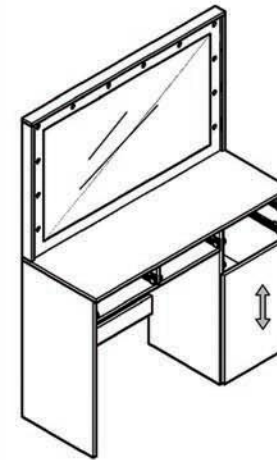
Fix the hinge L and
fix part F on board 13
with screws E



E*14 F*1 L*2

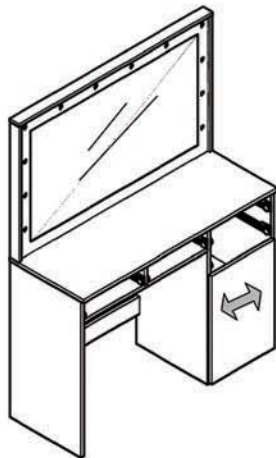
STEP 15

● Height Adjustment
Loosen screws at B1&B2
and move door up or
down as required.
Retighten Screws at B1&
B2.



STEP 14

Adjust the doors if needed
● Sideways adjustment
Loosen and tighten screw
shown, to move doors left
or right as required



STEP 16

● Forward and Back
adjustment.
Loosen screw shown and
move door in or out as
required.
Retighten Screw.

