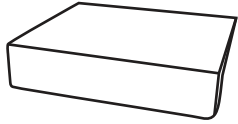


PARTS AND HARDWARE

Avoid using sharp objects such as a knife to cut open packing as you may accidentally damage the upholstery.



A. Backrest
2x



B. Seat
2x



C. Arm
4x



D. Bolt M6 x 40
20x



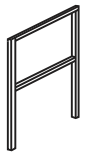
F. Chair Washer
20x



G. Cushion
2x



H. Table Frame
1x



I. Table Legs
2x



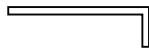
J. Table Side
2x



K. Table Bolt
12x



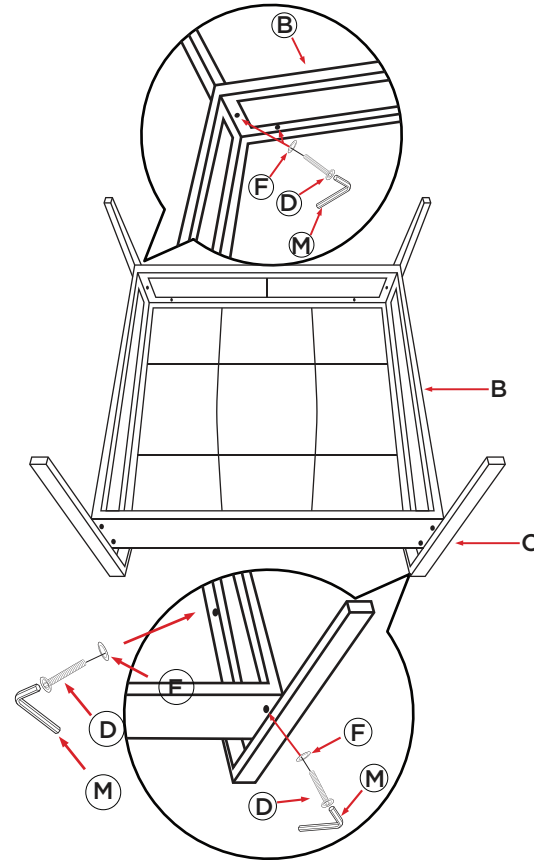
L. Table Washer
12x



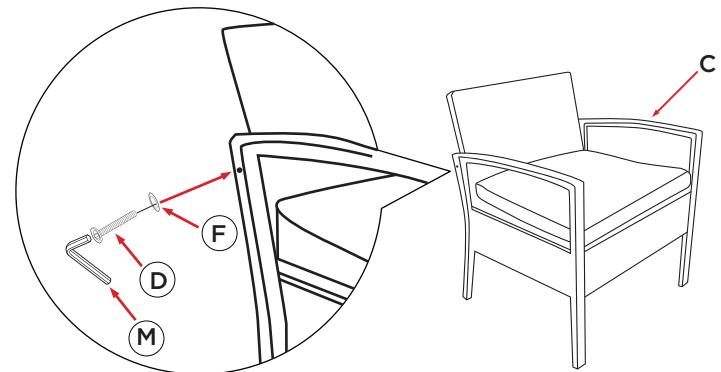
M. Allen Key
1x

Do not fully tighten bolts until assembly is complete.

1 Attach Arm sides (C) to back rest (A) and Seat (B) using bolts (D) and washers (F)

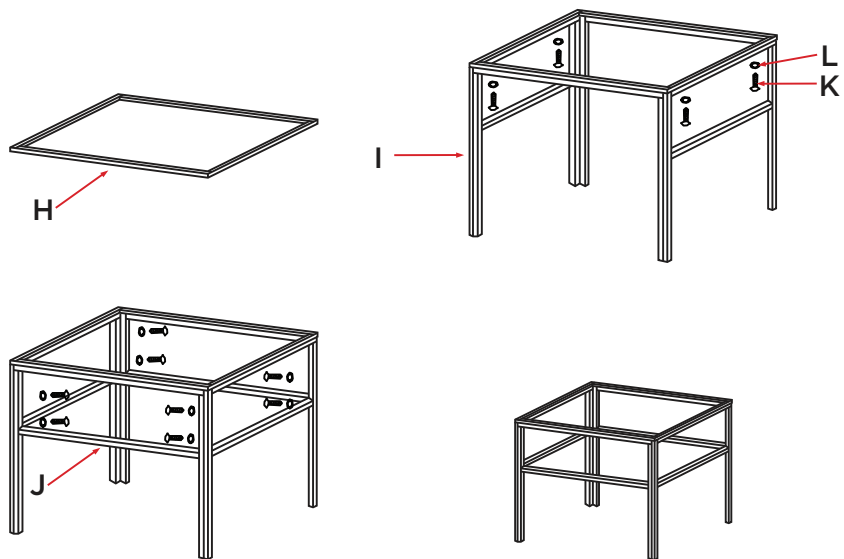


2 Attach Arms (C) to back rest (A) using bolts (E) and Washers (F)

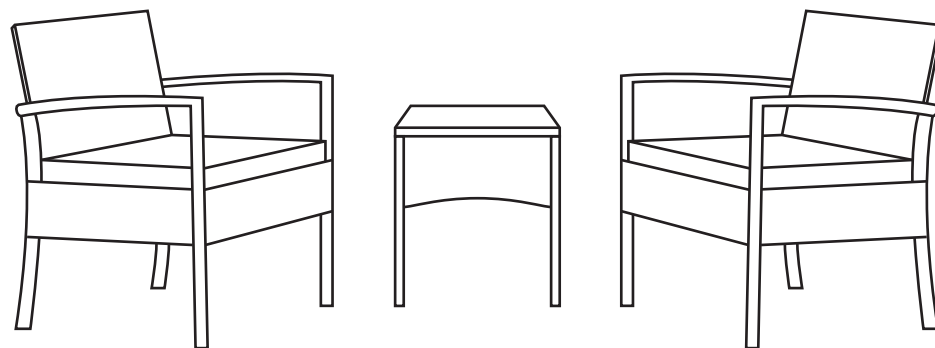
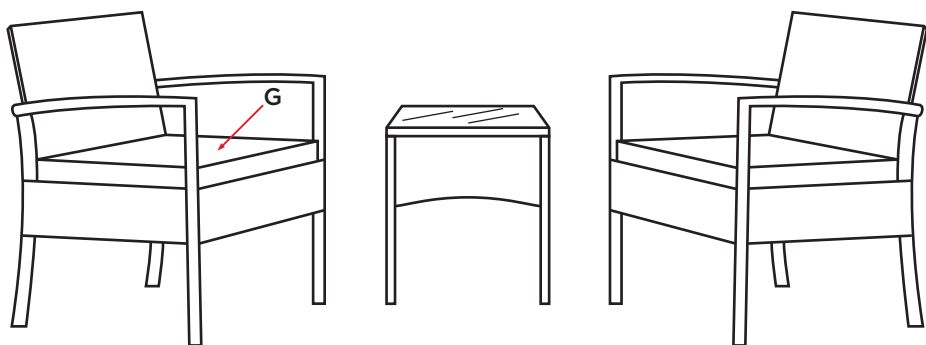


*Repeat steps 1-2 for the second Single Seater.

3 Attache Table legs (I) to table Frame (H) and Table Sides (J) using Bolts (K) and washers (L)



4 Place Cushions onto assembled chair frames and enjoy your new outdoor seating.



ASSEMBLY INSTRUCTIONS