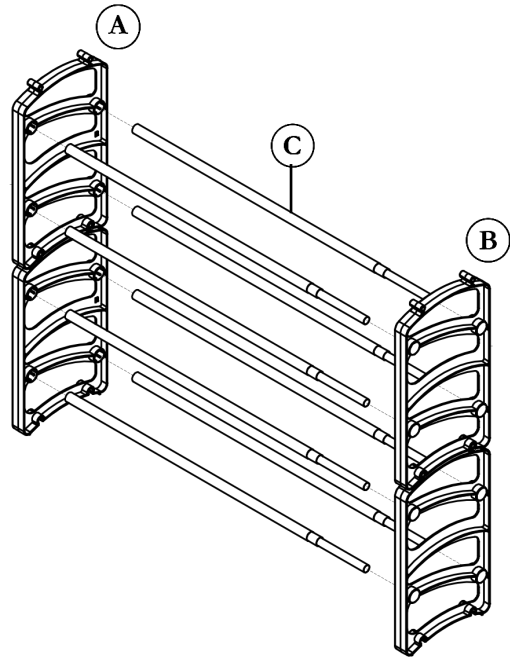


# seville classics®

## 4-Tier Expandable Shoe Rack



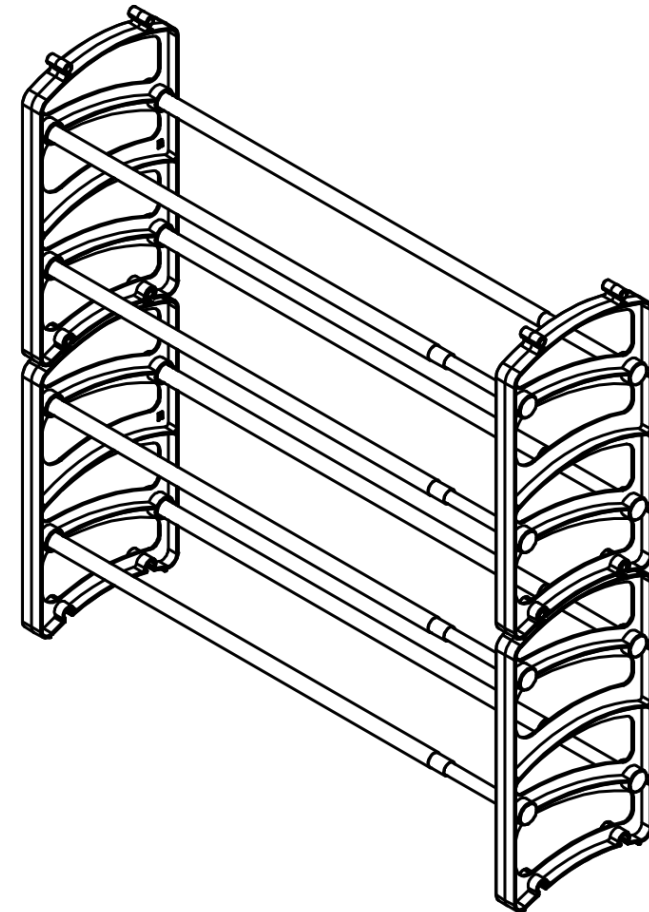
### STEP 3.

Fit larger end of **POLES (C)** into **LEFT SIDE FRAMES (A)**.

Fit smaller end of **POLES (C)** into **RIGHT SIDE FRAMES (B)**.

Press both sides together until **POLES (C)** are fully inserted.

Congratulations! Enjoy your new extendable shoe rack!



Model: WEB639

Thank you for choosing Seville Classics! We hope that you enjoy your new shoe rack. Please read through this user guide for parts list, assembly instructions, frequently asked questions and contact information.

## Safety

Do not sit on the rack. Do not drop heavy items on the rack. Place heavier items on the lower shelves and lighter ones on the top shelves. Do not move the rack while loaded. Do not move the rack by lifting the poles, use the handles instead.

## Specifications

Dimensions: 22.44" to 42.52" W x 7.08" D x 25.19" H

Shoe capacity: up to 20 shoes per rack (evenly distributed)

Weight: 3.67 lbs. (1.66 kgs)

## Customer Service Information

**Telephone:** (800) 323-5565

**Fax:** (310) 533-3899

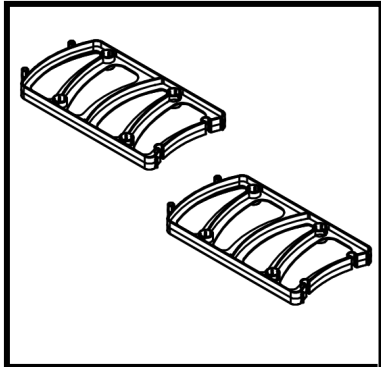
**Hours:** 8:30 AM – 4:30 PM (PST)

**Email:** [Support@SevilleClassics.com](mailto:Support@SevilleClassics.com)

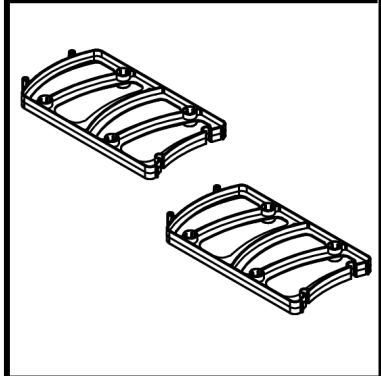
**Homepage:** [www.SevilleClassics.com](http://www.SevilleClassics.com)

# Parts List

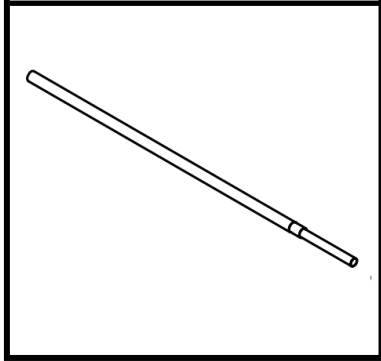
A. Left Side Frame (2)



B. Right Side Frame (2)



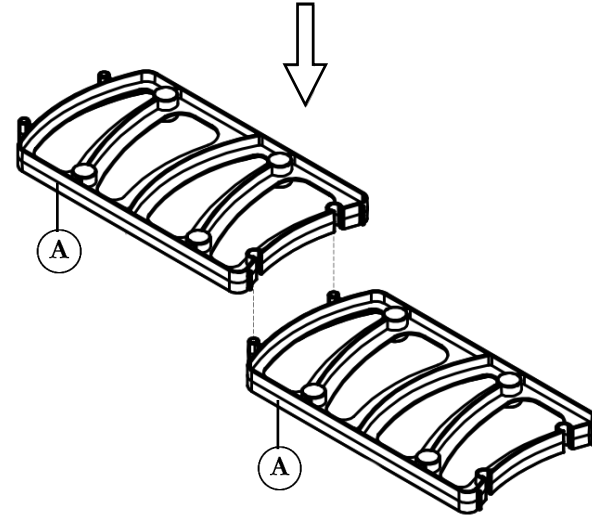
C. Poles (8)



**Please make sure you have all the parts on this list.**

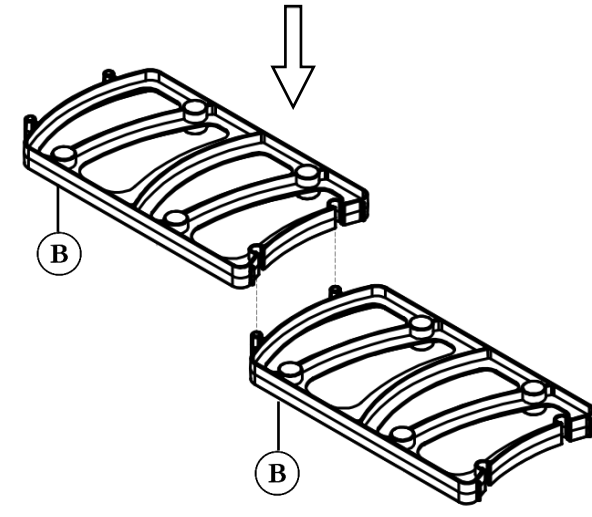
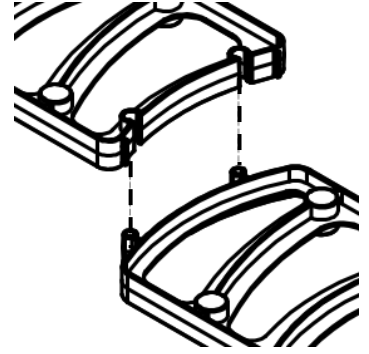
If you're missing parts, contact us for replacements at (800) 323-5565 or send an email to [Support@SevilleClassics.com](mailto:Support@SevilleClassics.com)

# Assembly Instructions



**STEP 1.**  
Fit the tabs on the top of **LEFT SIDE FRAME (A)** into the bottom of second **LEFT SIDE FRAME (A)**.

Lightly tap together until fully attached.



**STEP 2.**  
Fit the tabs on the top of **RIGHT SIDE FRAME (B)** into the bottom of second **RIGHT SIDE FRAME (B)**.

