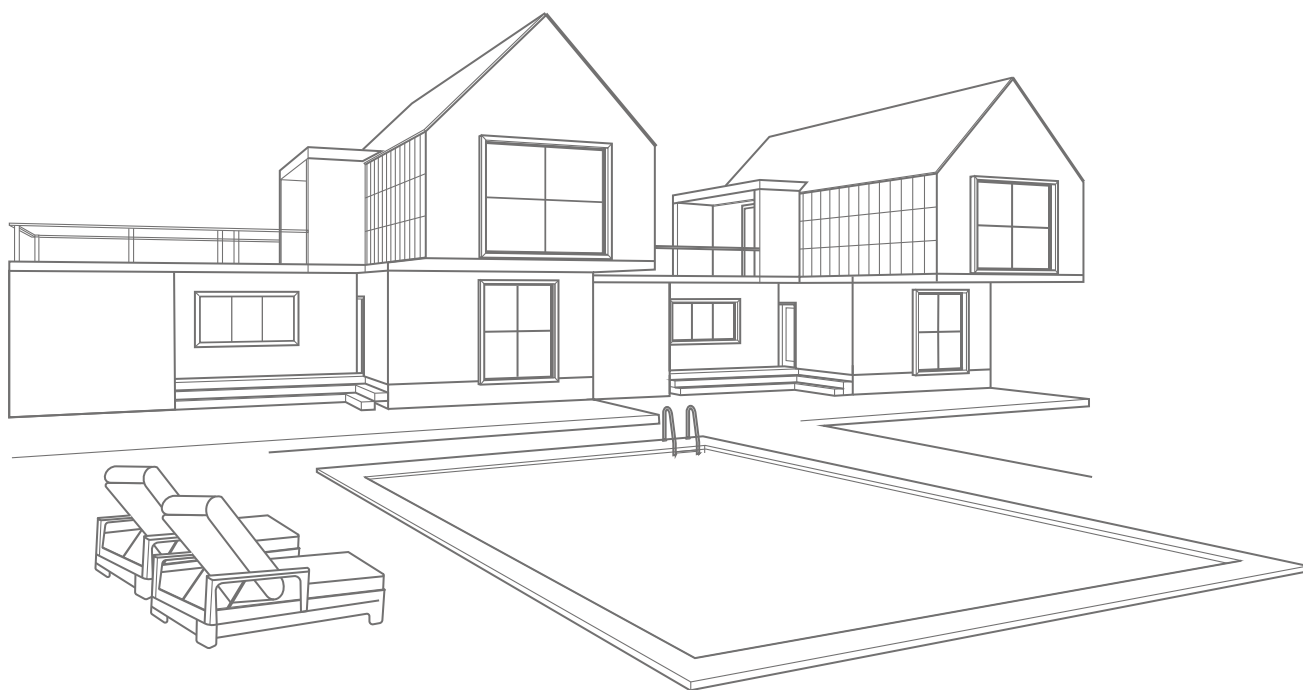


# Folding Dining Table

Product ID. 7ATJN

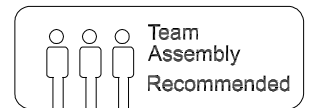
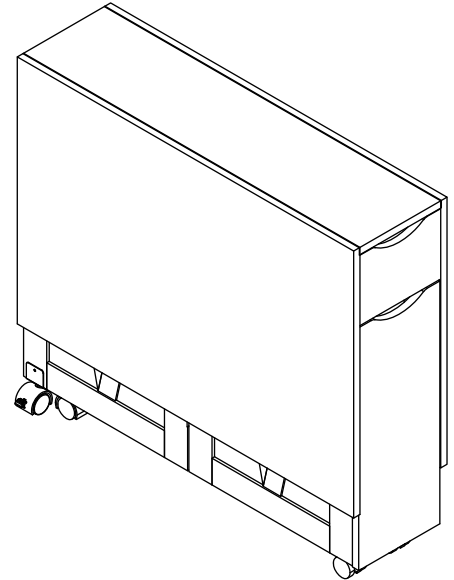
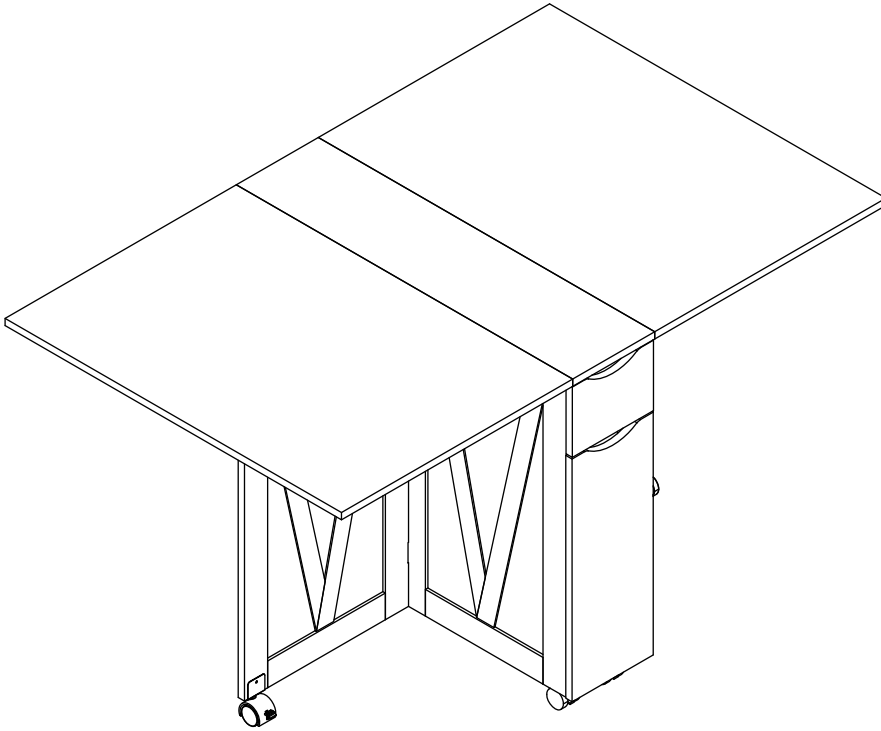


Scan for Support  
[support@garvee.com](mailto:support@garvee.com)



Distributed by  
**GARVEE**.com

## Assembly Instruction



### Trouble shooting:

Missing / Wrong / Broken parts and installation issues



Send email with your question pic, order NO. and screenshot of order details to:

[support@garvee.com](mailto:support@garvee.com)



Respond within 24 hours



Issue resolved

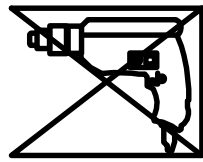
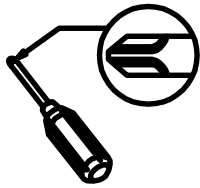
## Tips!



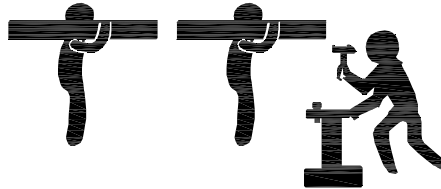
1. Check all the components & screws are intact before assembling .
  2. If you notice any pieces are missing or damaged please do not assemble and contact us immediately .
  3. Please send an email with you order number and issues, we will respond within 24 hours.
- Customer Service Team: [support@garvee.com](mailto:support@garvee.com)

## Tools required

A Phillips head screw driver is required for the assembly of this product. (not included)  
Electric tool should not be used to assemble this product.



Three people are needed



## IMPORTANT SAFETY INFORMATION

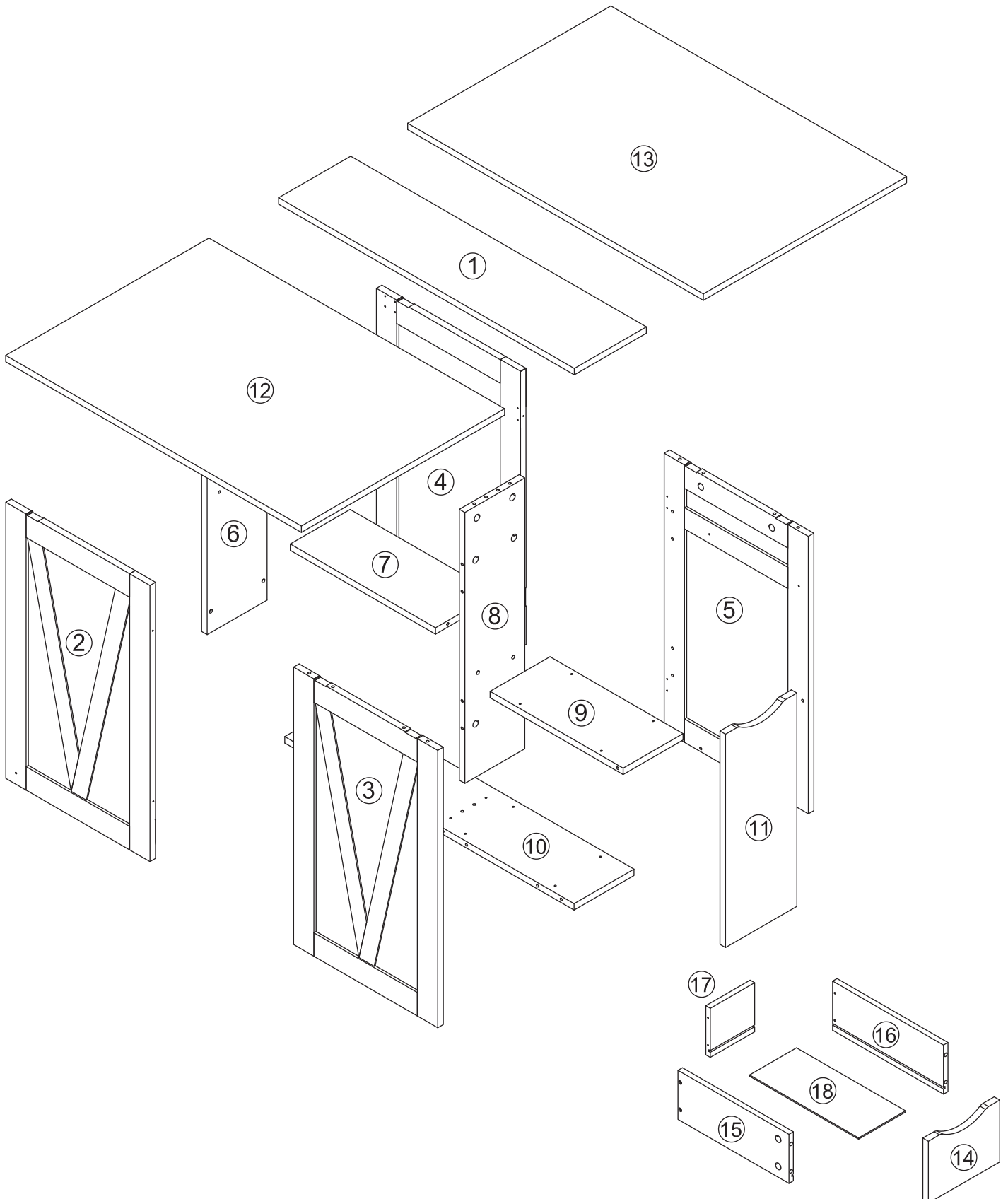
- Please carefully read the following instructions and caution warnings before assembling the product.
- Following this guide will ensure that you install, use and maintain the product properly.
- Please keep this installation and user manual/instructions for future reference in case you need to disassemble the product.
- Never allow children to climb onto the product. Ensure that you have special safety measures when children are around on their own.
- Be sure to check that all parts of the product are intact after you open the package.
- Do not assemble if you notice serious damage such as cracks or bends.
- During installation, please use work gloves for hand safety.
- Please assemble the unit on carpeted floor or the flat cardboard box to avoid scratching the surface or your floor while assembling on the floor.
- To assemble, please use the complimentary installation tools (Phillips screwdriver). Pay more attention to the direction of components at each steps.
- It is recommended that two people work together to assemble the product.

## RETURN POLICY

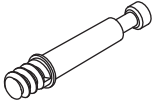

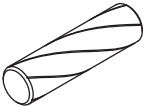
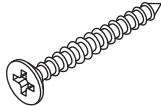
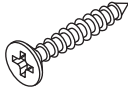


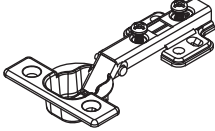
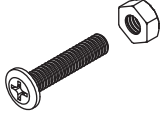
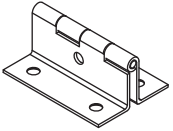
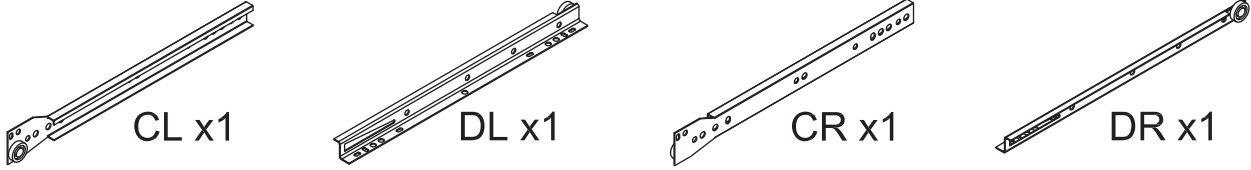
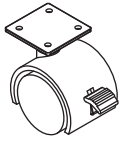
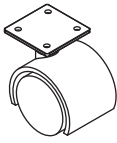
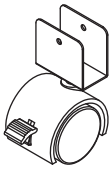
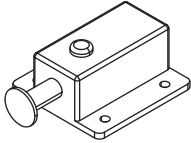
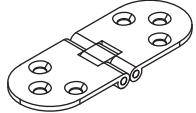
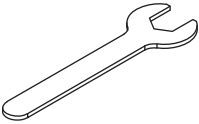
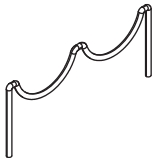
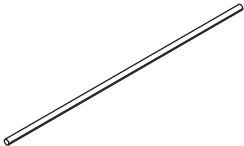

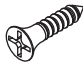
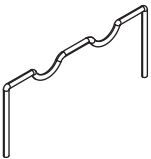
- Please contact us directly within 30 days after receiving.
- Ensure the product is in a good condition with the original box and all original certificates of purchase, manuals, and accessories attached.

# COMPONENTS ID Nr.

Part Nr.	Qty	Part Nr.	Qty	Part Nr.	Qty	Part Nr.	Qty
1	1pc	7	1pc	13	1pc		
2	1pc	8	1pc	14	1pc		
3	1pc	9	1pc	15	1pc		
4	1pc	10	1pc	17	1pc		
5	1pc	11	1pc	18	1pc		
6	1pc	12	1pc				

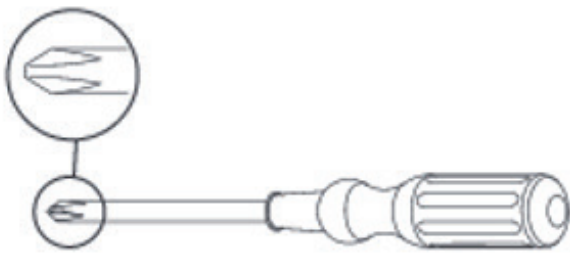


# HARDWARE LIST

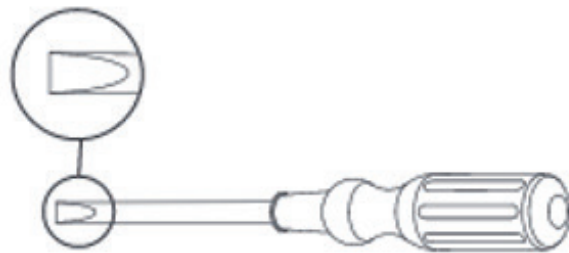
<p>A x 28</p>  <p>Ø6x35mm</p>	<p>B x 28</p>  <p>Ø15x10mm</p>	<p>C x 20</p>  <p>Ø6x30mm</p>	<p>D x 4</p>  <p>Ø4x40mm</p>	<p>E x 4</p>  <p>Ø4x30mm</p>
<p>F x 12</p>  <p>Ø3.5x14mm</p>	<p>G x 28</p>  <p>Ø3x12mm</p>	<p>H x 2</p> 	<p>I x 2</p>  <p>M6x25mm</p>	<p>J x 4</p> 
<p>K</p>  <p>CL x1      DL x1      CR x1      DR x1</p>				
<p>L x 2</p> 	<p>M x 2</p> 	<p>N x 2</p> 	<p>O x 2</p> 	<p>P x 6</p> 
<p>Q x 1</p> 	<p>R x 2</p> 	<p>S x 4</p> 	<p>T x 60</p>  <p>Ø3x14mm</p>	<p>U x 4</p>  <p>Ø3.5x10mm</p>
<p>V x 2</p> 				

## Tools required

### Phillips Screwdriver

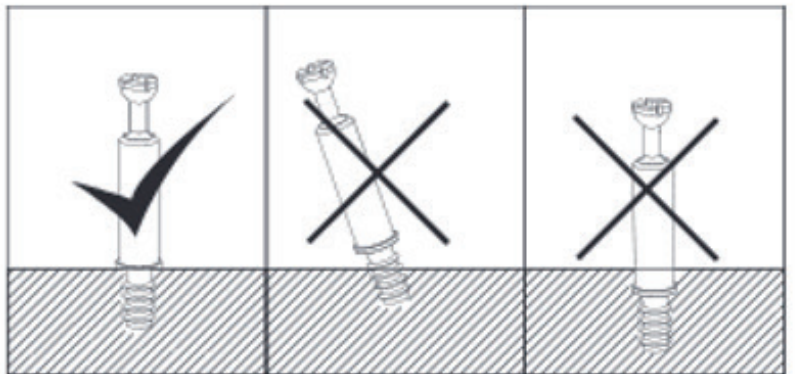


### Straight Screwdriver



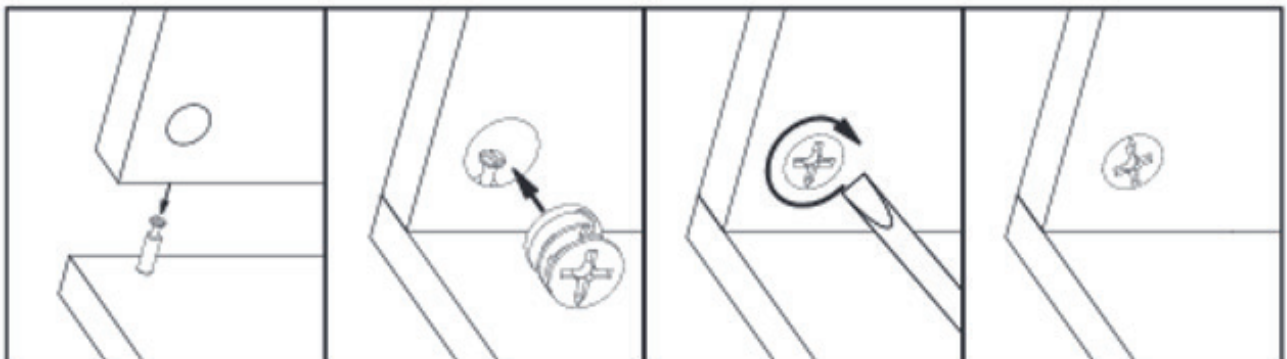
Power Tool NOT Recommended

To ensure proper assembly we have included the following guides:



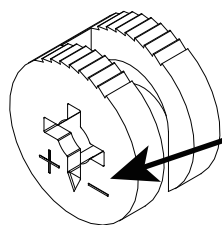
Insert threads of Locking Bolts completely, and stop once threads are no longer visible.

Do NOT overturn.



Reference this guide when assembling all Cam Locks.



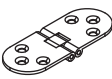
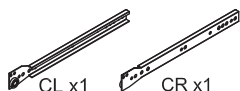



Do NOT overturn.

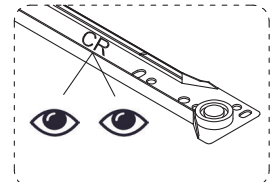
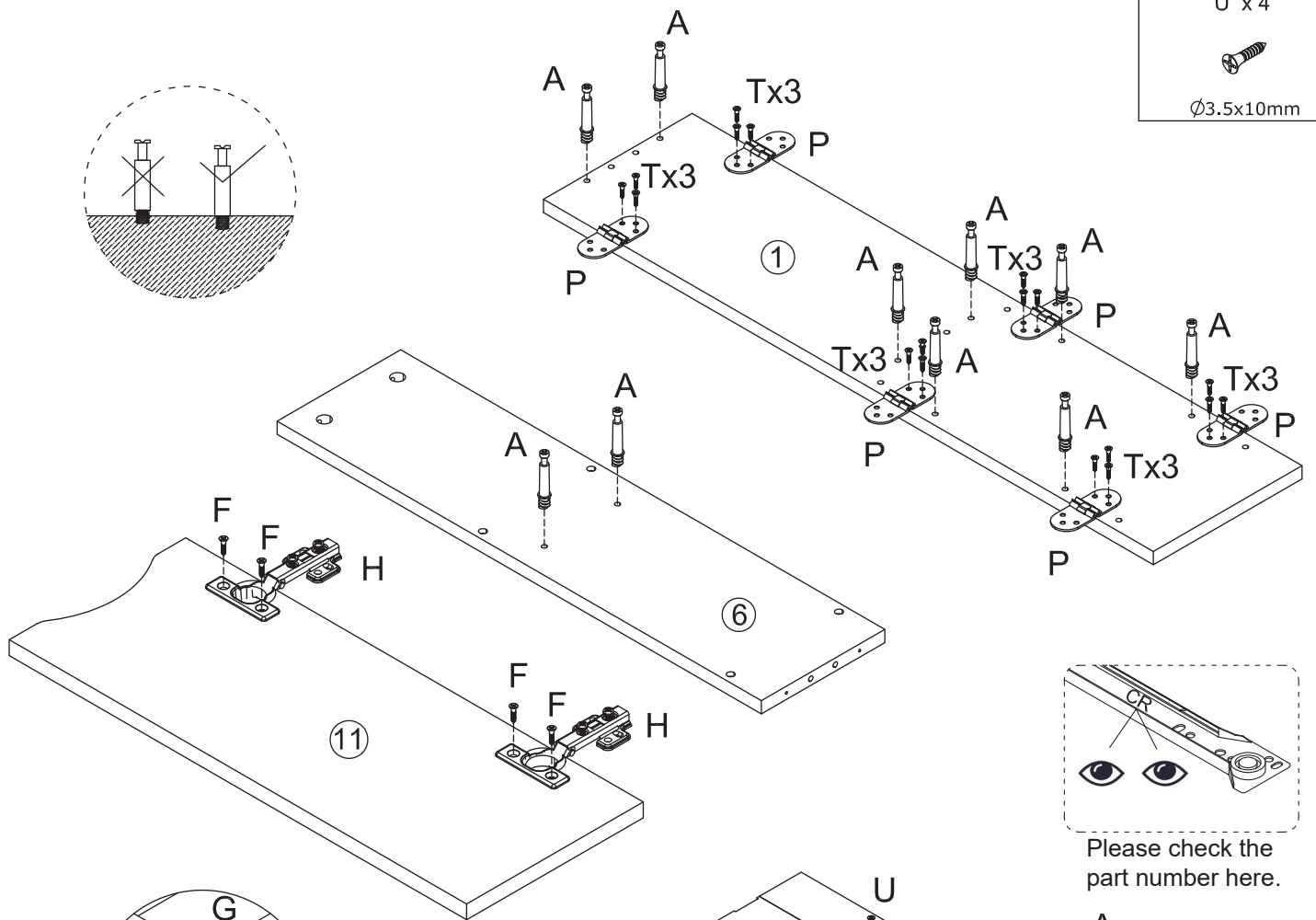
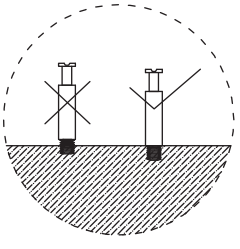


Notice: "pointer arrow" on cam face the Bolt when inserted the cam.

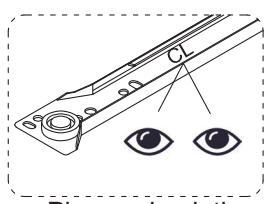
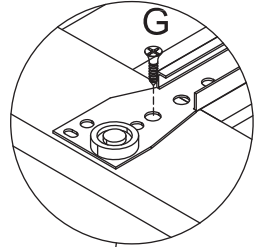
# PRODUCT ASSEMBLY

# 1

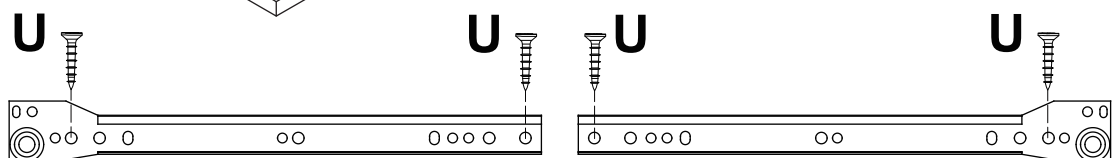
<p>A x 20</p>  <p>Ø6x35mm</p>	<p>F x 4</p>  <p>Ø3.5x14mm</p>	<p>P x 6</p> 	<p>K</p>  <p>CL x1 CR x1</p>	<p>H x 2</p> 	<p>T x 18</p>  <p>Ø3x14mm</p>
					<p>U x 4</p>  <p>Ø3.5x10mm</p>



Please check the part number here.



Please check the part number here.



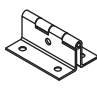

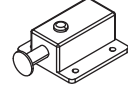
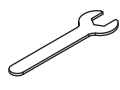



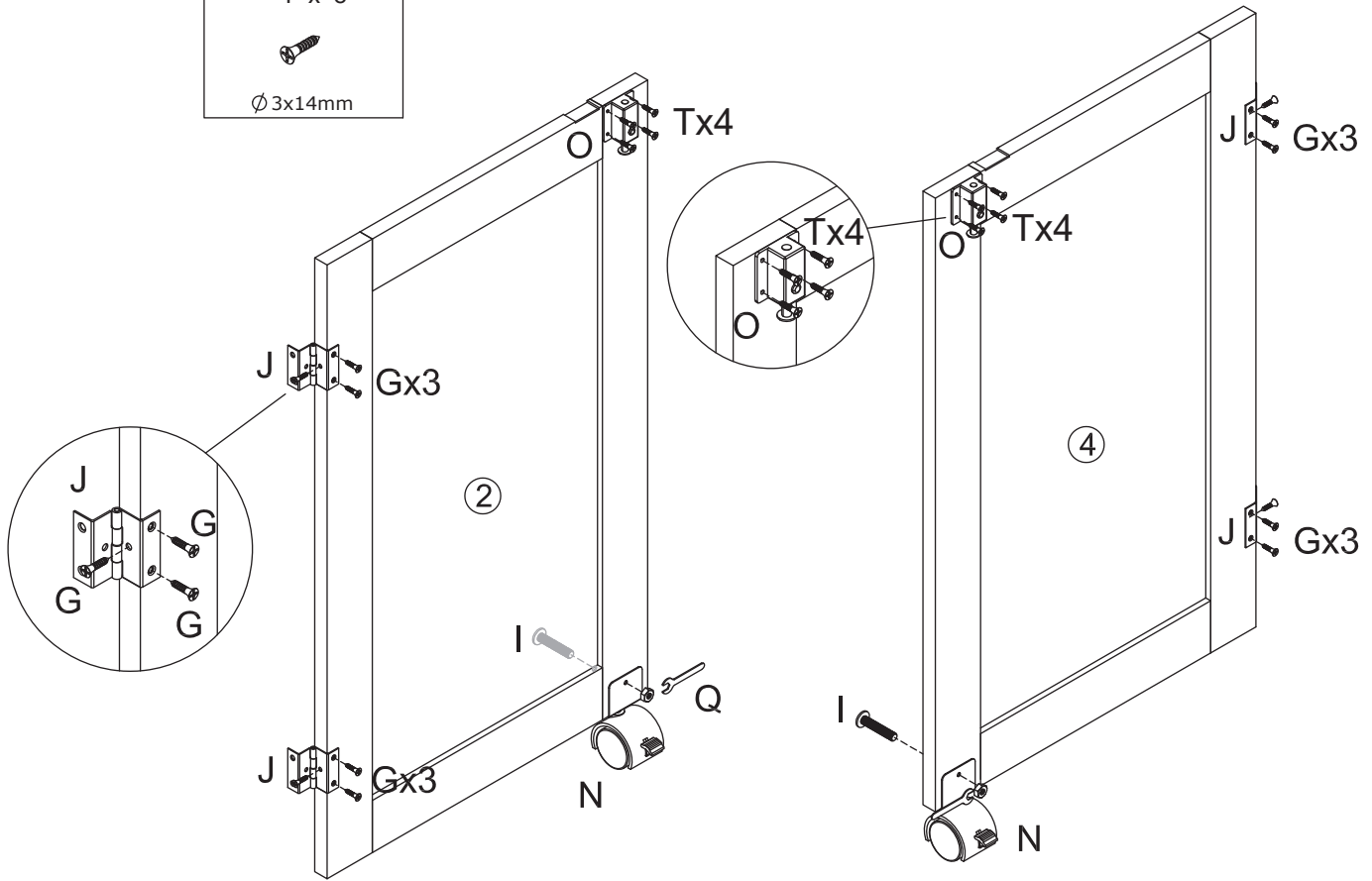
**K/CL**

**K/CR**

# PRODUCT ASSEMBLY

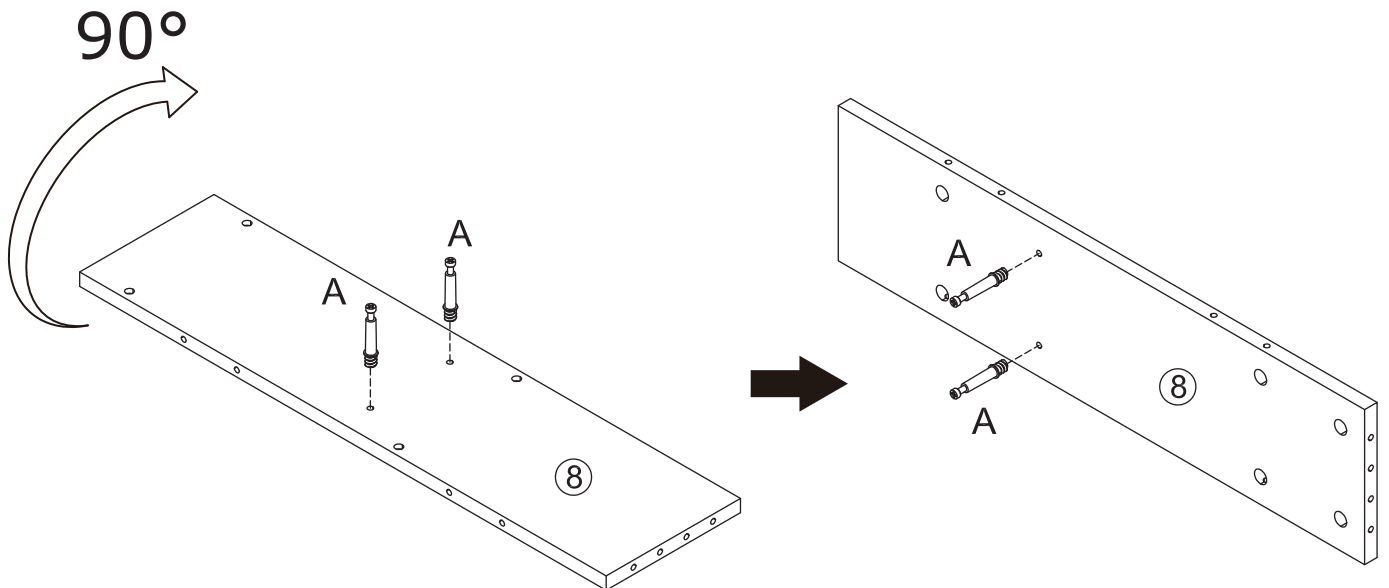
## 2

G x 12  Ø3x12mm	I x 2  M6x25mm	J x 4 	N x 2 	O x 2 	Q x 1 
T x 8  Ø3x14mm					



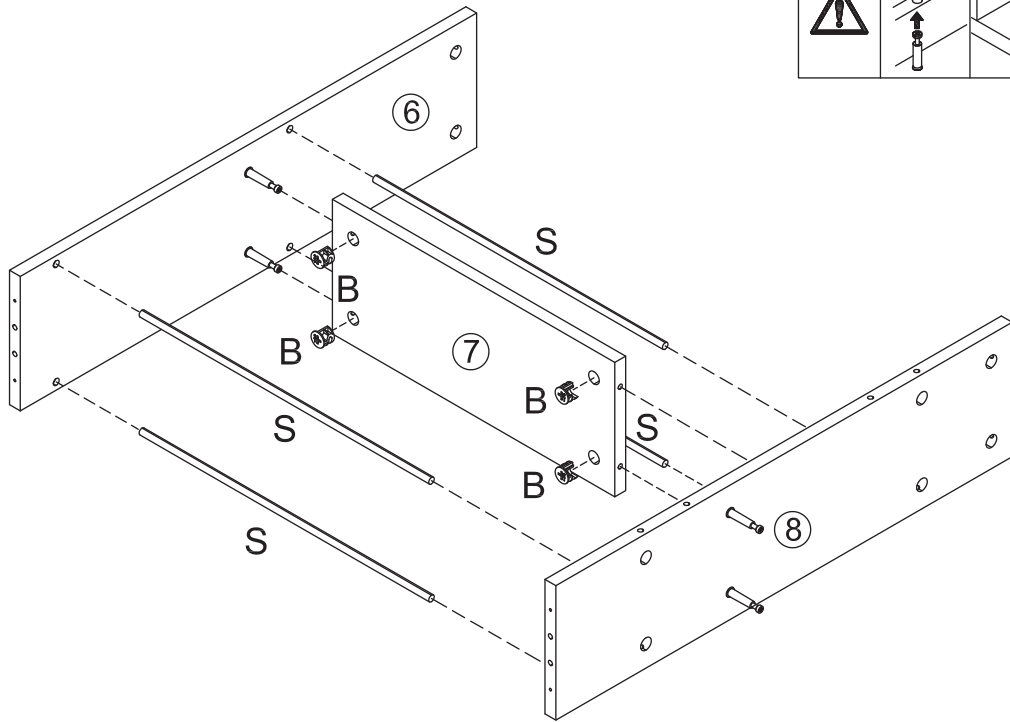
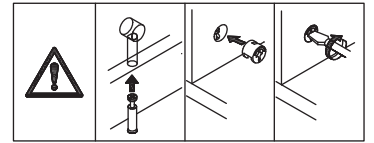
## 3

A x 4  Ø6x35mm	
---	--





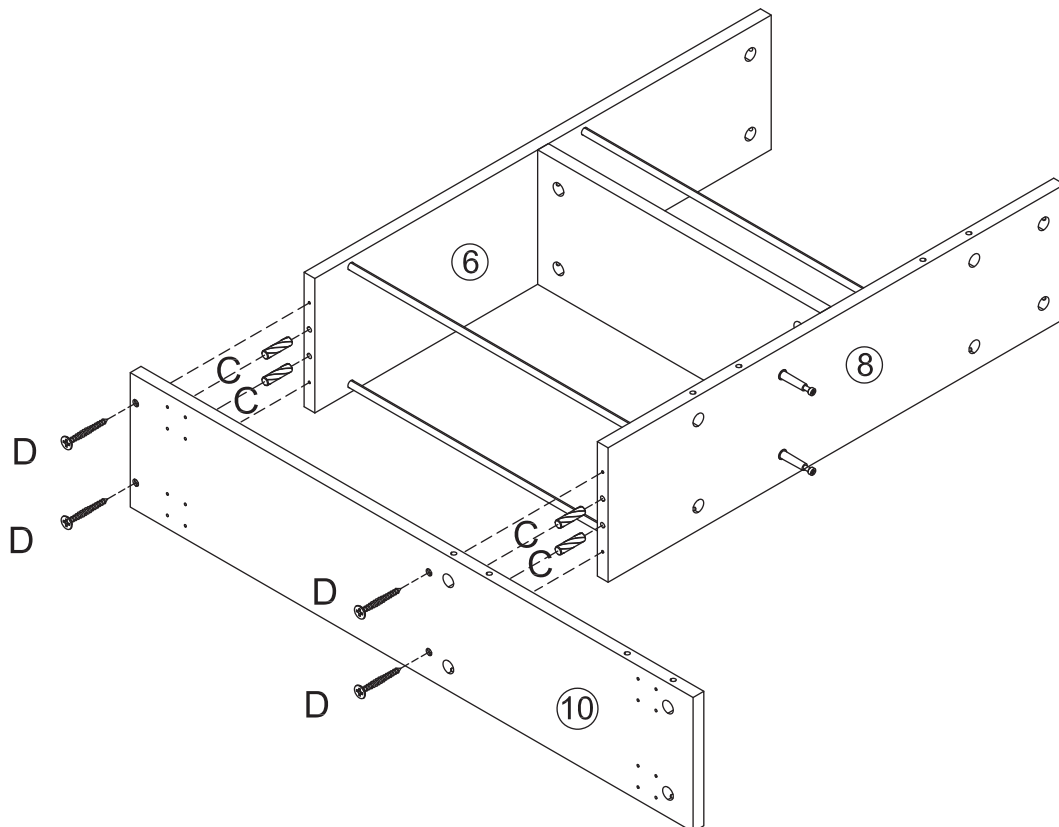
4

<p>B x 4</p>  <p>Ø15x10mm</p>	<p>S x 4</p> 	
--	--	--



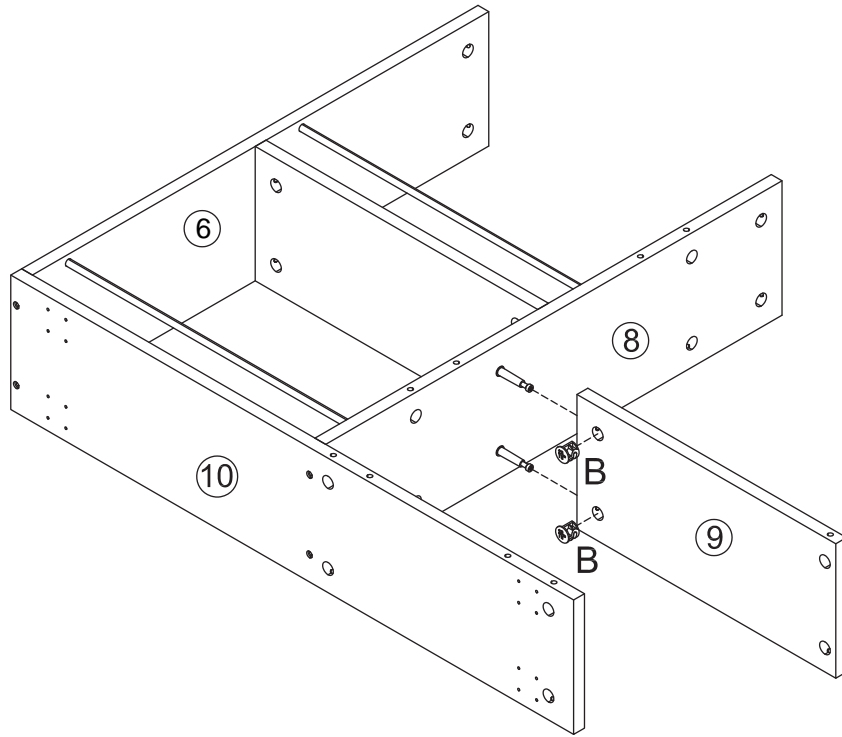
5

<p>C x 4</p>  <p>Ø6x30mm</p>	<p>D x 4</p>  <p>Ø4x40mm</p>	
---	---	--



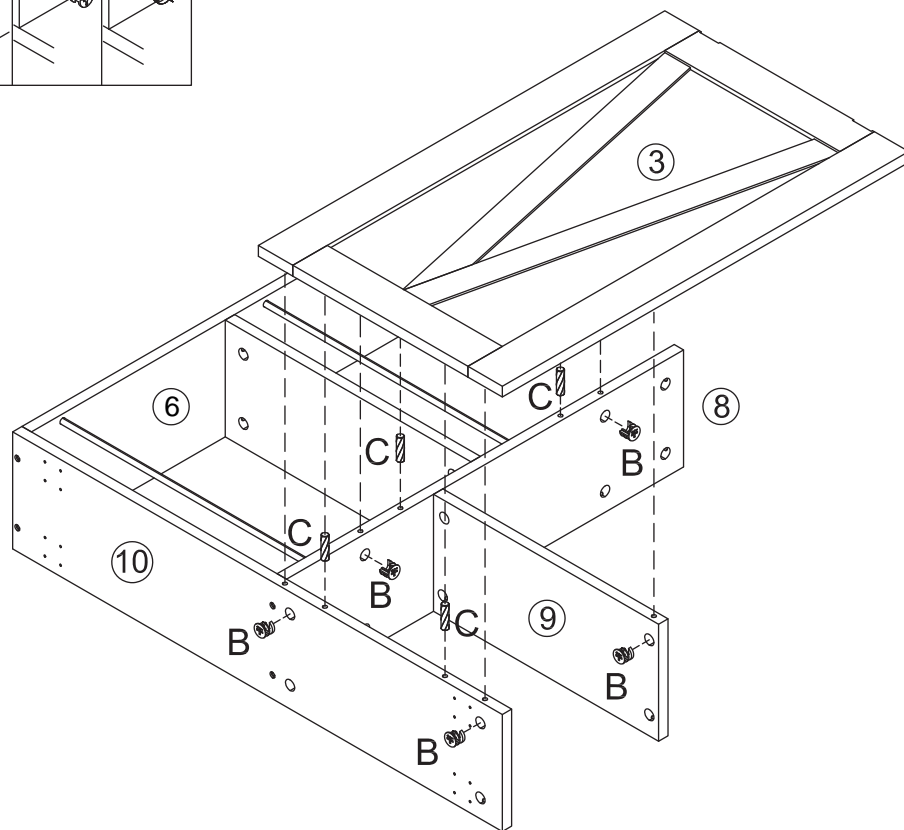
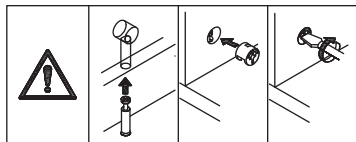
6

<p>B x 2</p>  <p>Ø15x10mm</p>	
--	--



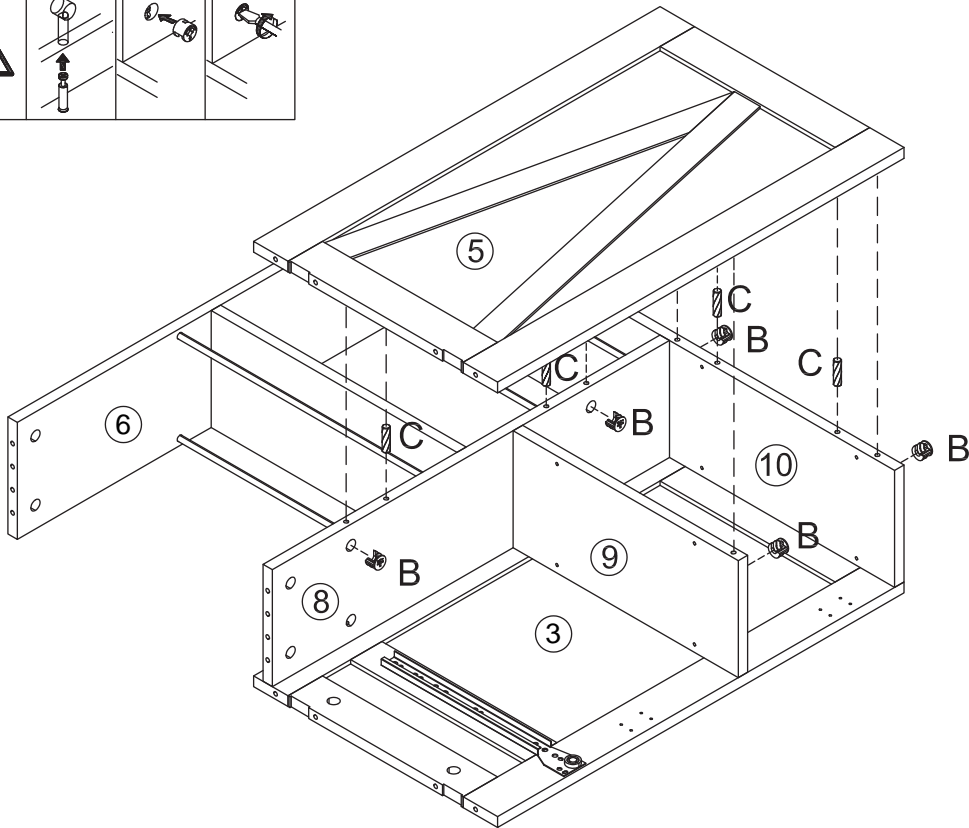
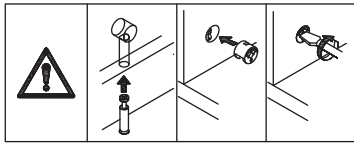
7

<p>B x 5</p>  <p>Ø15x10mm</p>	<p>C x 4</p>  <p>Ø6x30mm</p>	
--	---	--




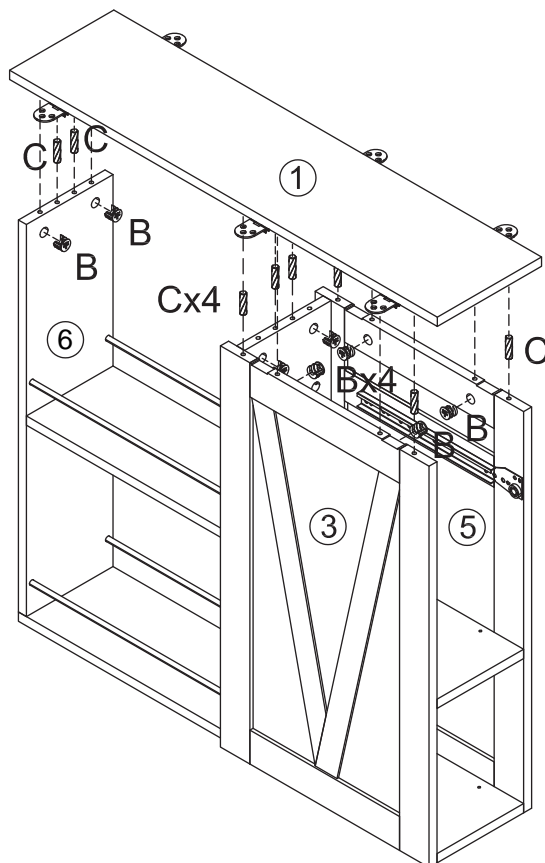
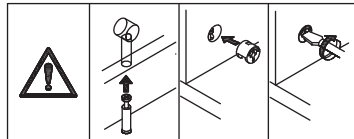
8

<p>B x 5</p>  <p>Ø15x10mm</p>	<p>C x 4</p>  <p>Ø6x30mm</p>	
--	---	--





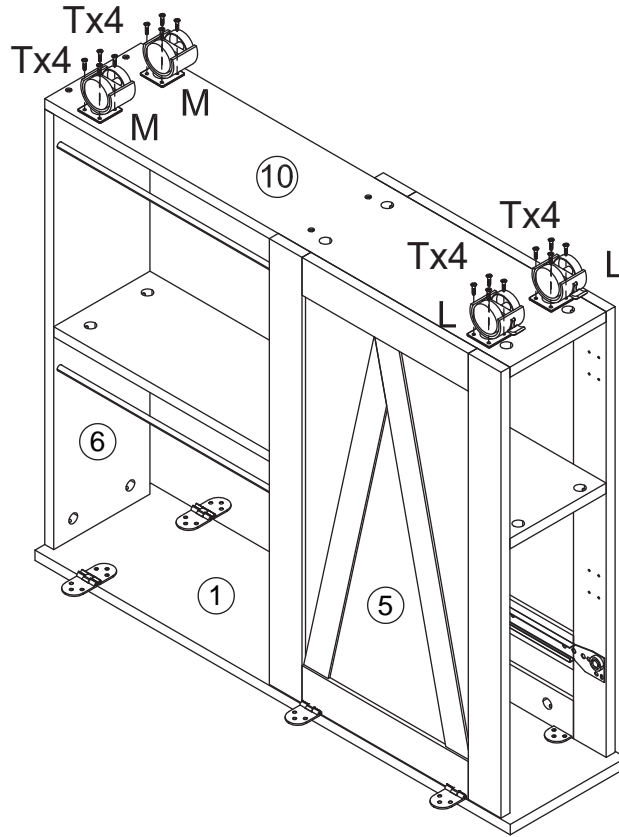
9

<p>B x 8</p>  <p>Ø15x10mm</p>	<p>C x 8</p>  <p>Ø6x30mm</p>	
--	---	--



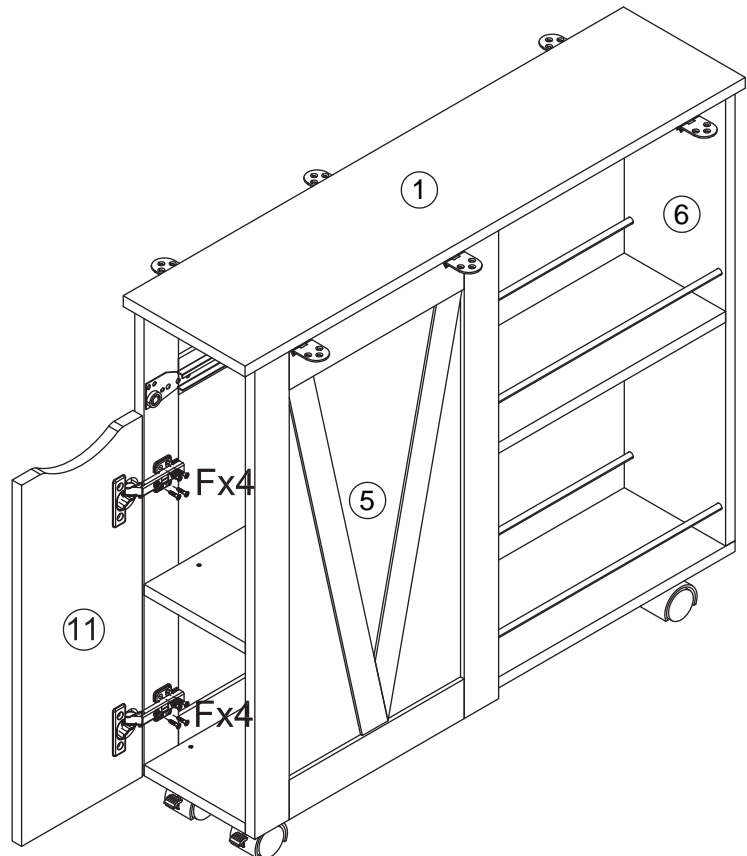
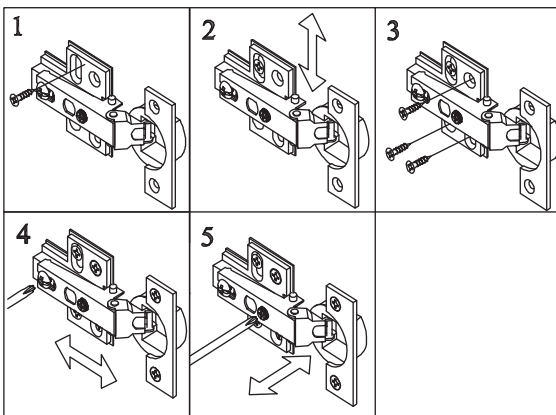
# 10

<p>T x 16</p>  <p>Ø3x14mm</p>	<p>L x 2</p> 	<p>M x 2</p> 	
--	--	--	--

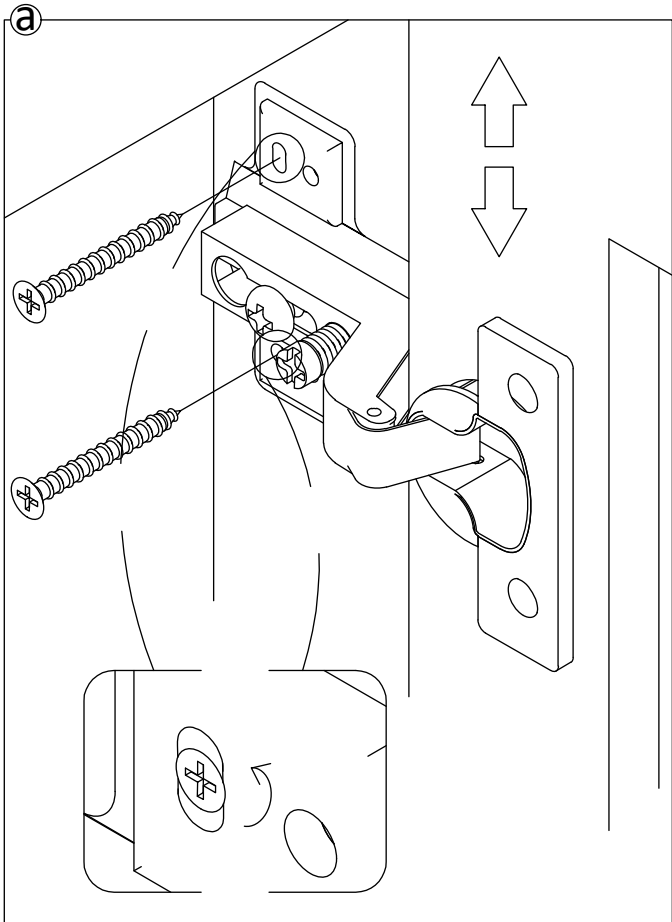


# 11

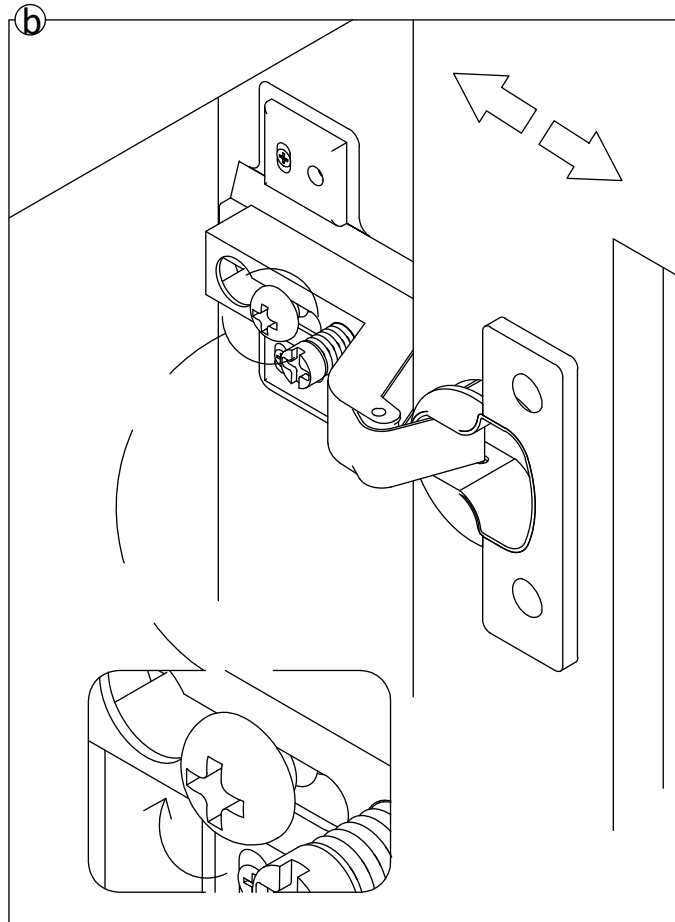
<p>F x 8</p>  <p>Ø3.5x14mm</p>	
---	--



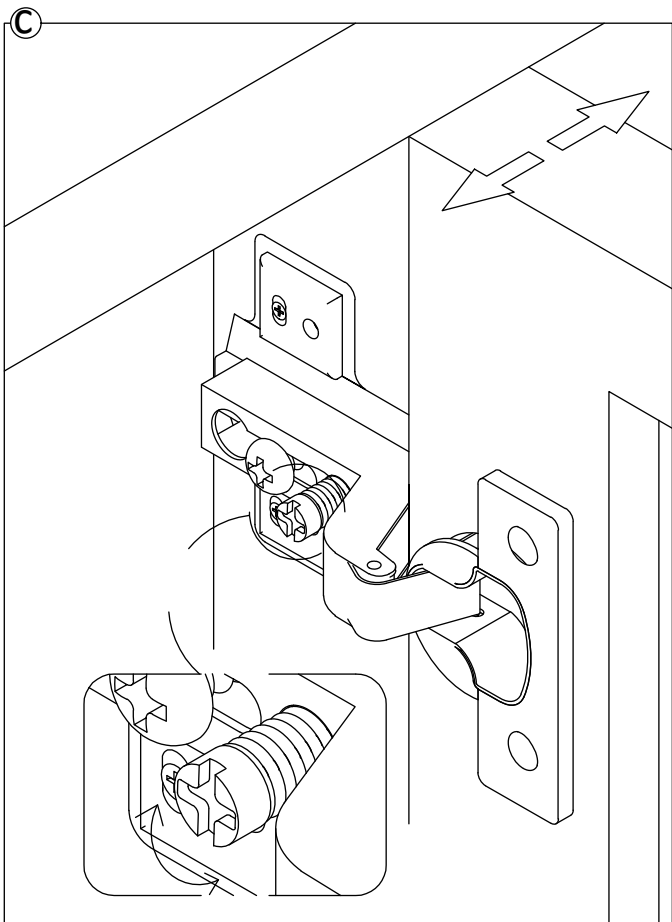
**It may be necessary to adjust the hinges so that the doors align. Use the instructions below as a guide.**



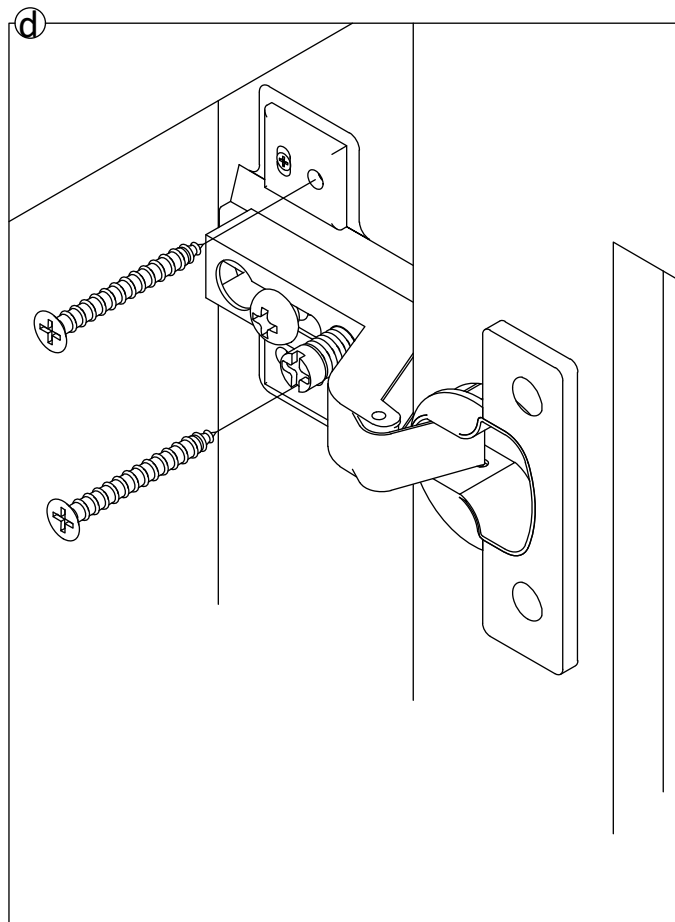
To adjust the door vertically loosen the screw as shown and move up and down as needed.



To adjust the gap from the door to the main frame turn the screw clockwise or anticlockwise as needed.



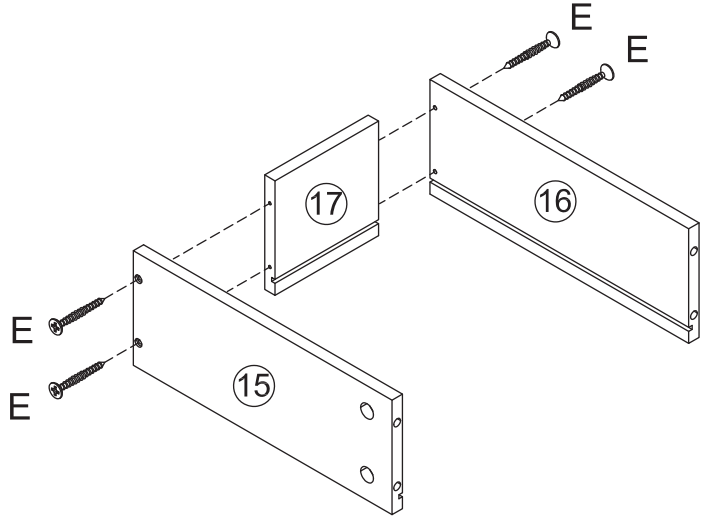
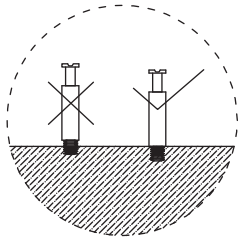
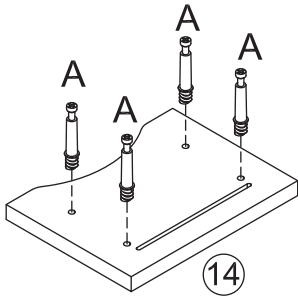
To adjust the door laterally ( such as changing the gap between the two doors), please adjust the screw as shown by turning clockwise or anticlockwise.



Please fix other screws.

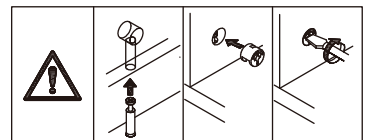
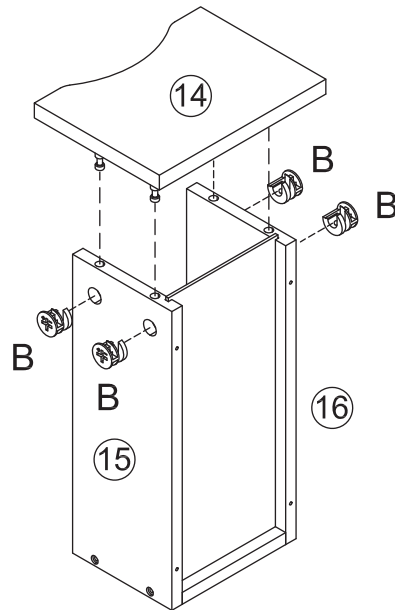
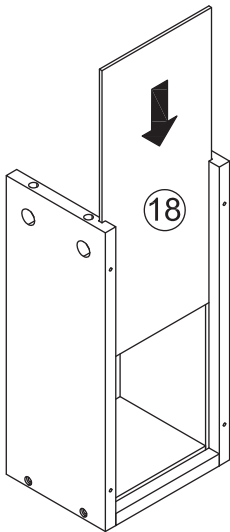
# 12

<p>A x 4</p>  <p>Ø6x35mm</p>	<p>E x 4</p>  <p>Ø4x30mm</p>	
---	---	--



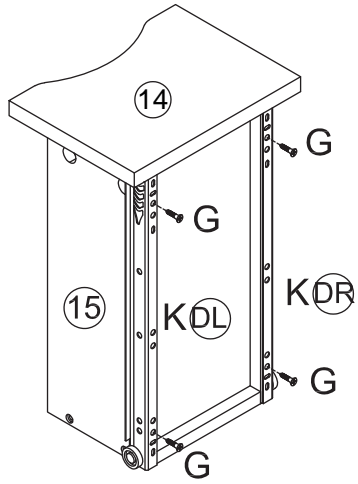
# 13

<p>B x 4</p>  <p>Ø15x10mm</p>	
--	--



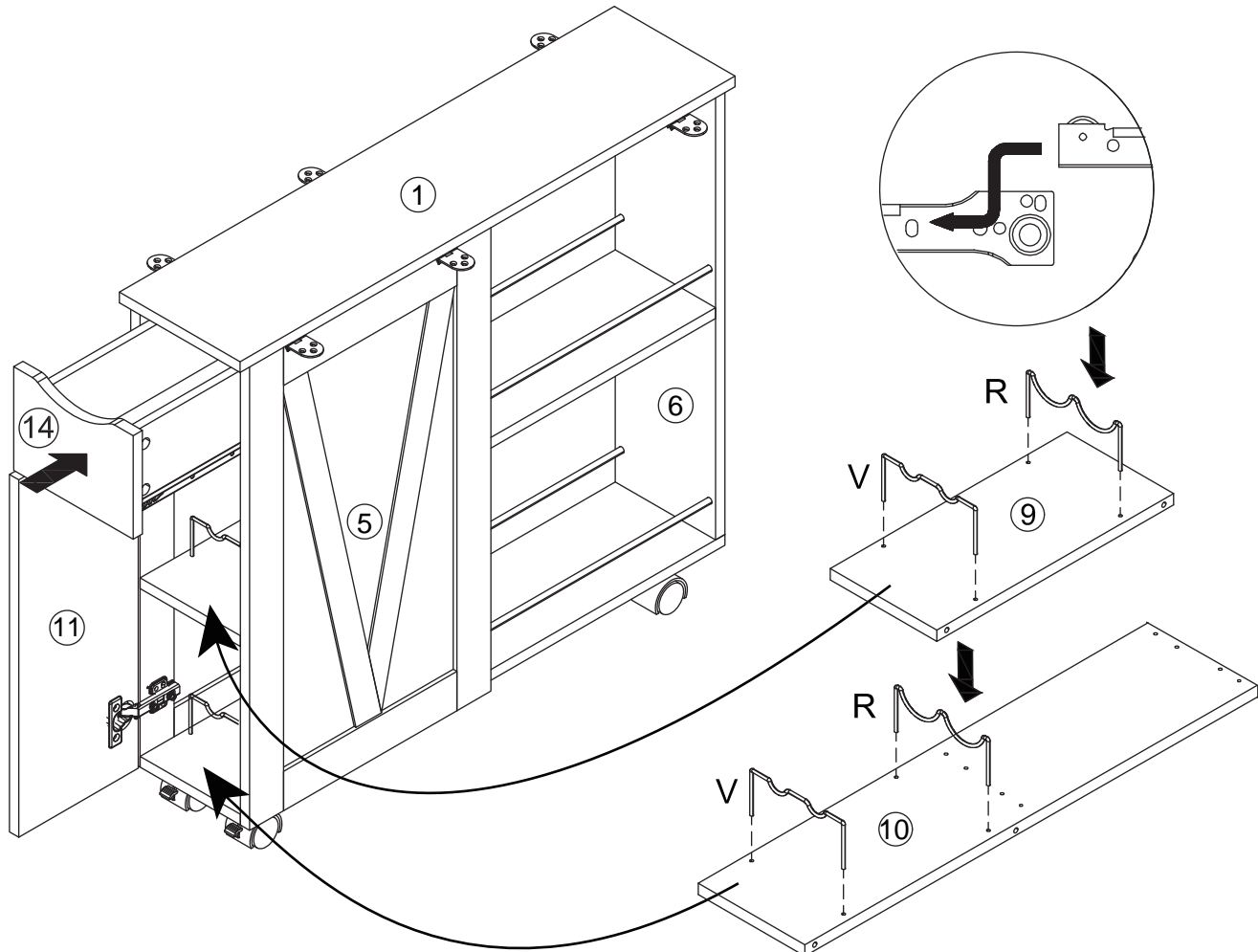
# 14

<p>G x 4</p>  <p>Ø3x12mm</p>	<p>K</p>  <p>DLx1 DRx1</p>	
---	---	--



# 15

<p>R x 2</p> 	<p>V x 2</p> 	
--	--	--

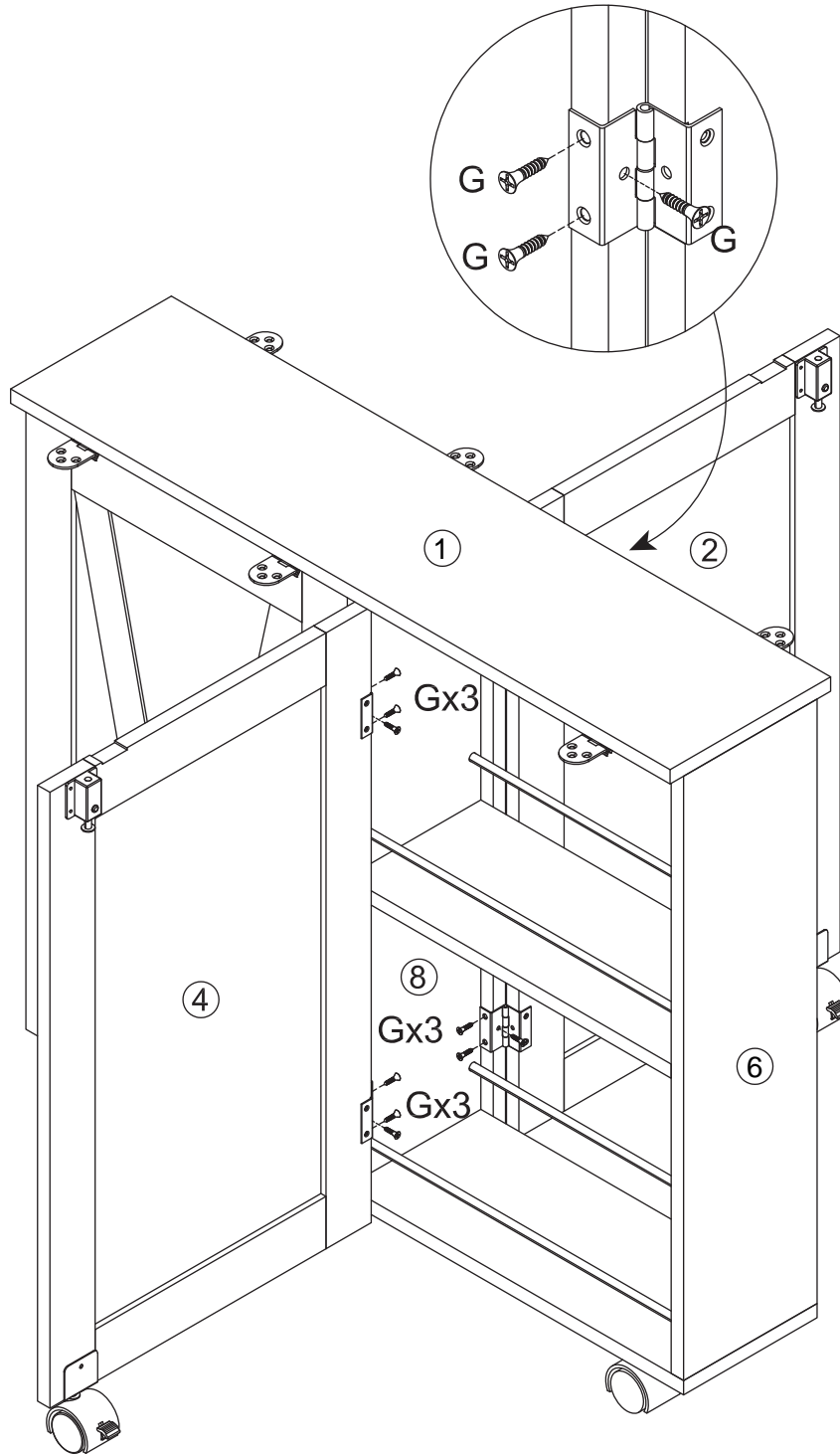


# 16

G x 12

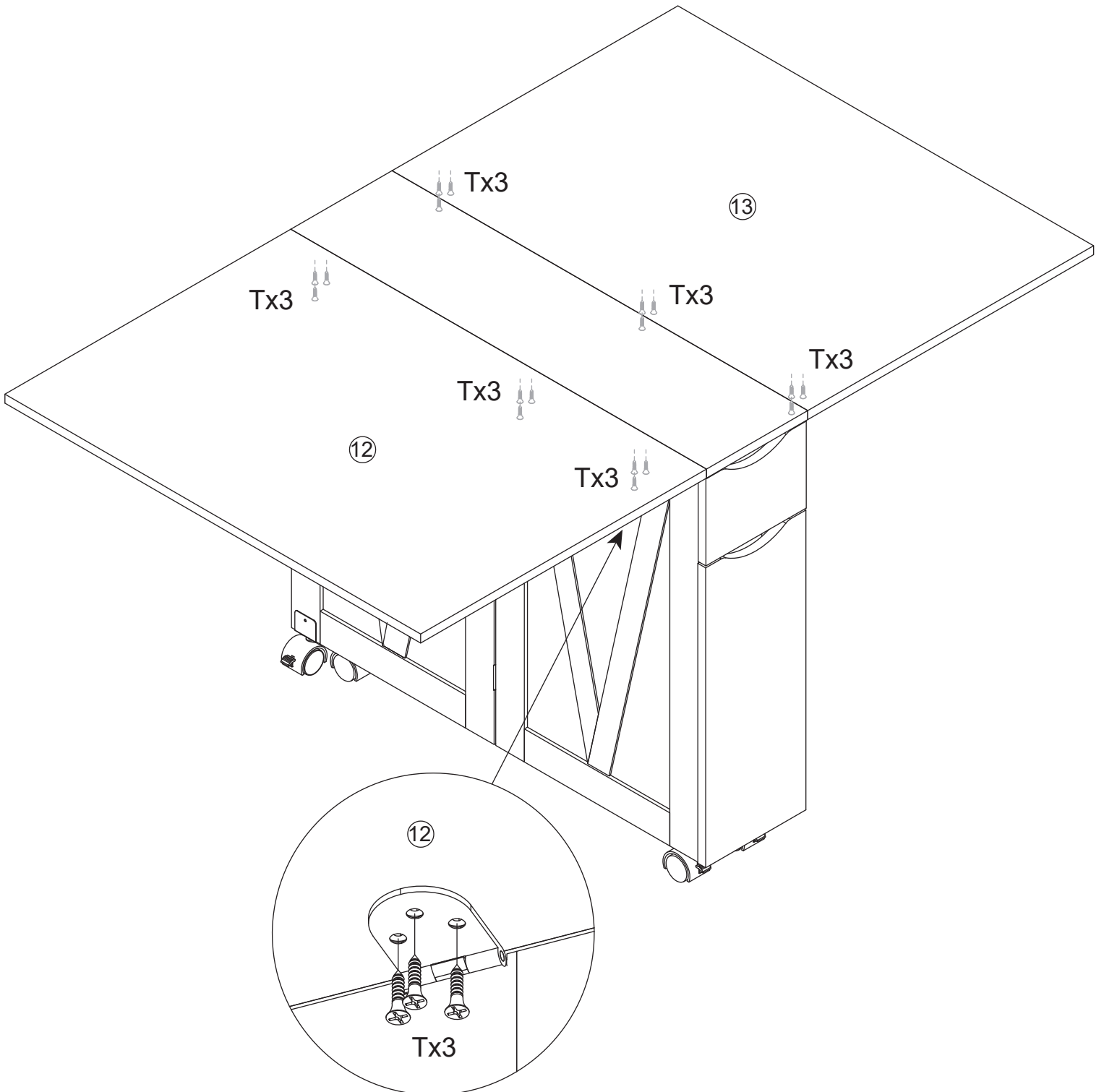


Ø3x12mm

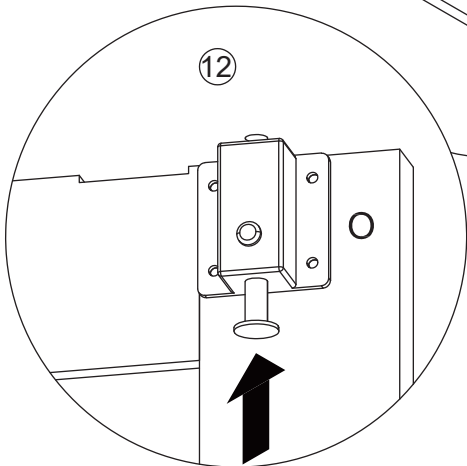
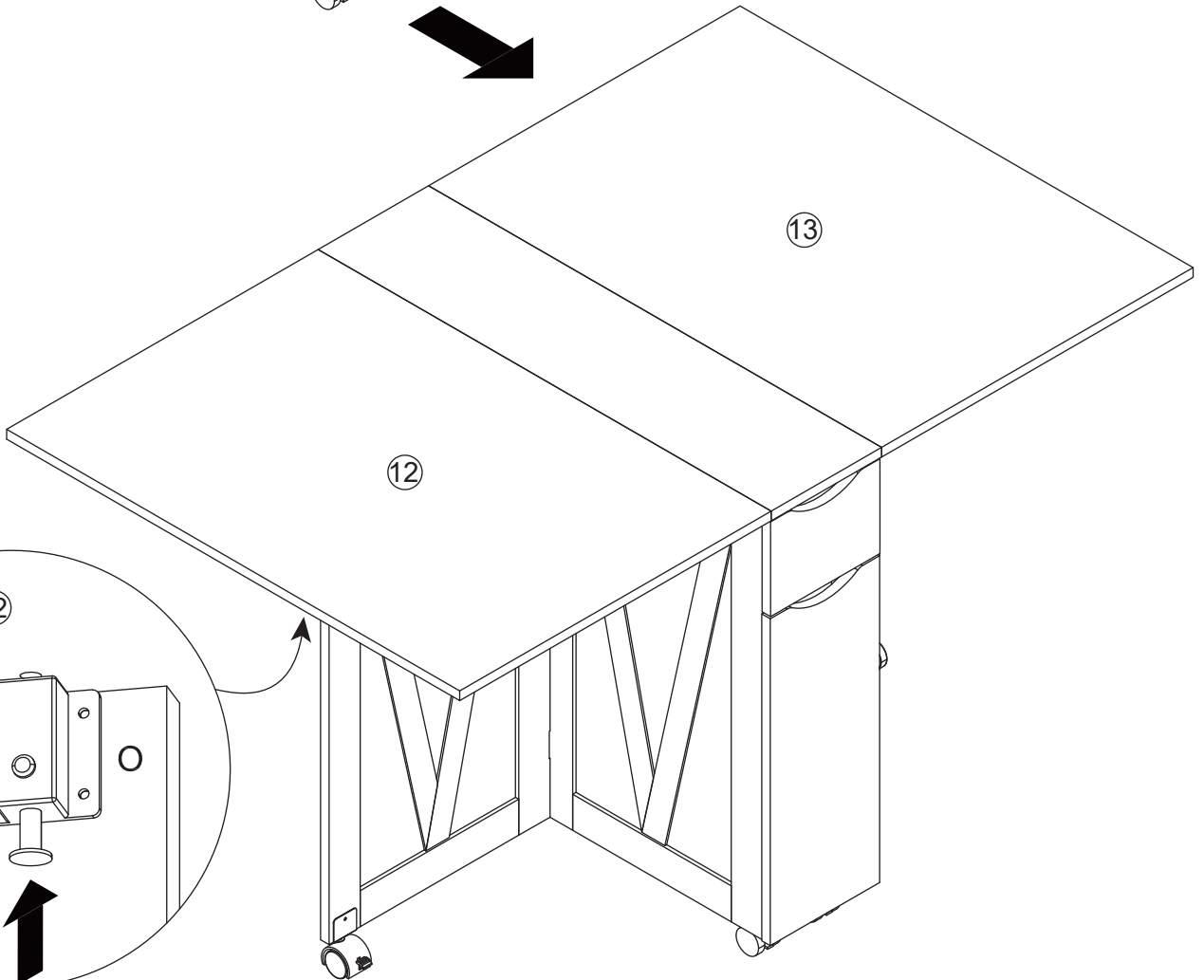
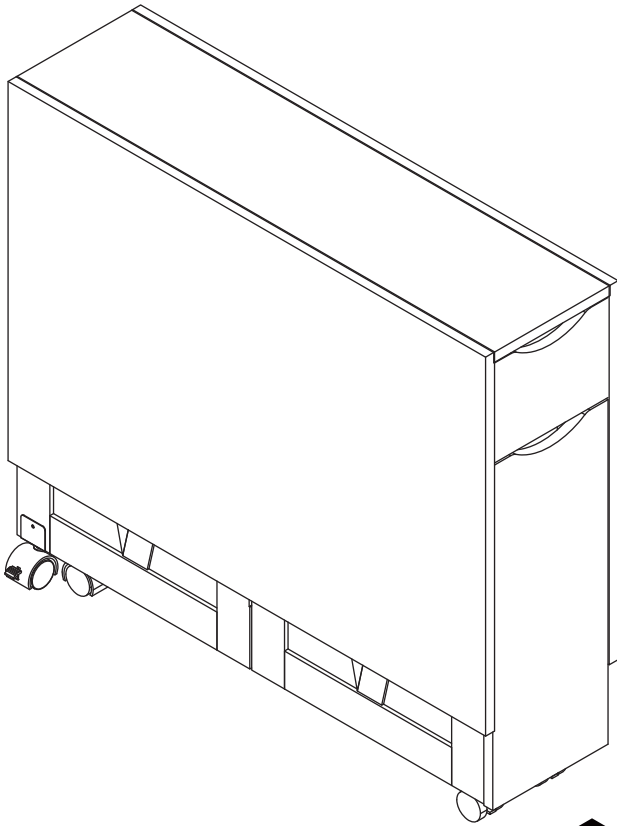


17

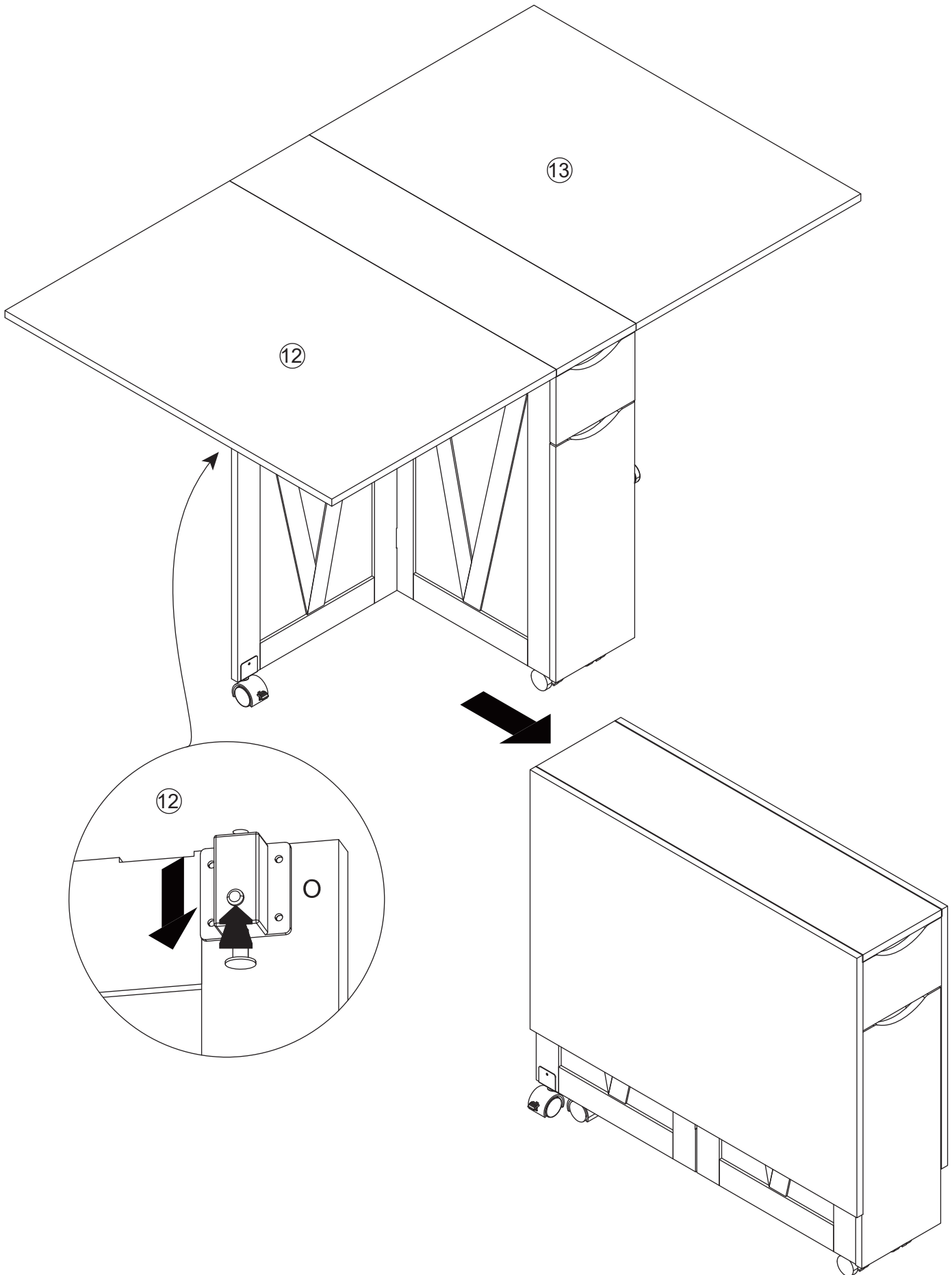
T x 18



# 18



# 19



## CONTACT US

Dear customer, thank you for purchasing Idealhouse products! We are proud to present our customers with high quality products!



If you have any product quality or use problems, please contact our customer service by email, we will ensure your satisfaction.



Customer Service Tea: [support@garvee.com](mailto:support@garvee.com)

## Limited Liability & Warning

**No Unauthorized Modifications/Repairs:** Do not modify or attempt to repair this product unless you are an authorized technician. Unauthorized actions may create hazards and void all warranties

**Misuse & Non-Compliance:** We are not liable for any injury, damage, or loss resulting from:

- (a) misuse, abuse, neglect, or improper installation;
- (b) failure to follow instructions or safety precautions;
- (c) use of unauthorized parts/accessories;
- (d) unauthorized modifications/repairs;
- (e) accidents, natural disasters, or external causes.

If you doubt any step of installation or operation, stop using the product and contact authorized service or the customer support.

## LIMITACIÓN DE RESPONSABILIDAD Y ADVERTENCIA

**Modificaciones o Reparaciones No Autorizadas:** NO modifique ni intente reparar este producto a menos que sea un técnico autorizado. Las acciones no autorizadas pueden generar riesgos y anularán todas las garantías.

**Uso Indebido e Incumplimiento:** No asumimos responsabilidad alguna por lesiones, daños o pérdidas que resulten de:

- (a) uso indebido, abuso, negligencia o instalación incorrecta;
- (b) incumplimiento de las instrucciones o precauciones de seguridad;
- (c) uso de piezas o accesorios no autorizados;
- (d) modificaciones o reparaciones no autorizadas;
- (e) accidentes, desastres naturales o causas externas.

Si tiene dudas sobre algún paso de la instalación o el funcionamiento, deje de usar el producto y póngase en contacto con el servicio técnico autorizado o con atención al cliente.

**GARVEE**  
support@garvee.com