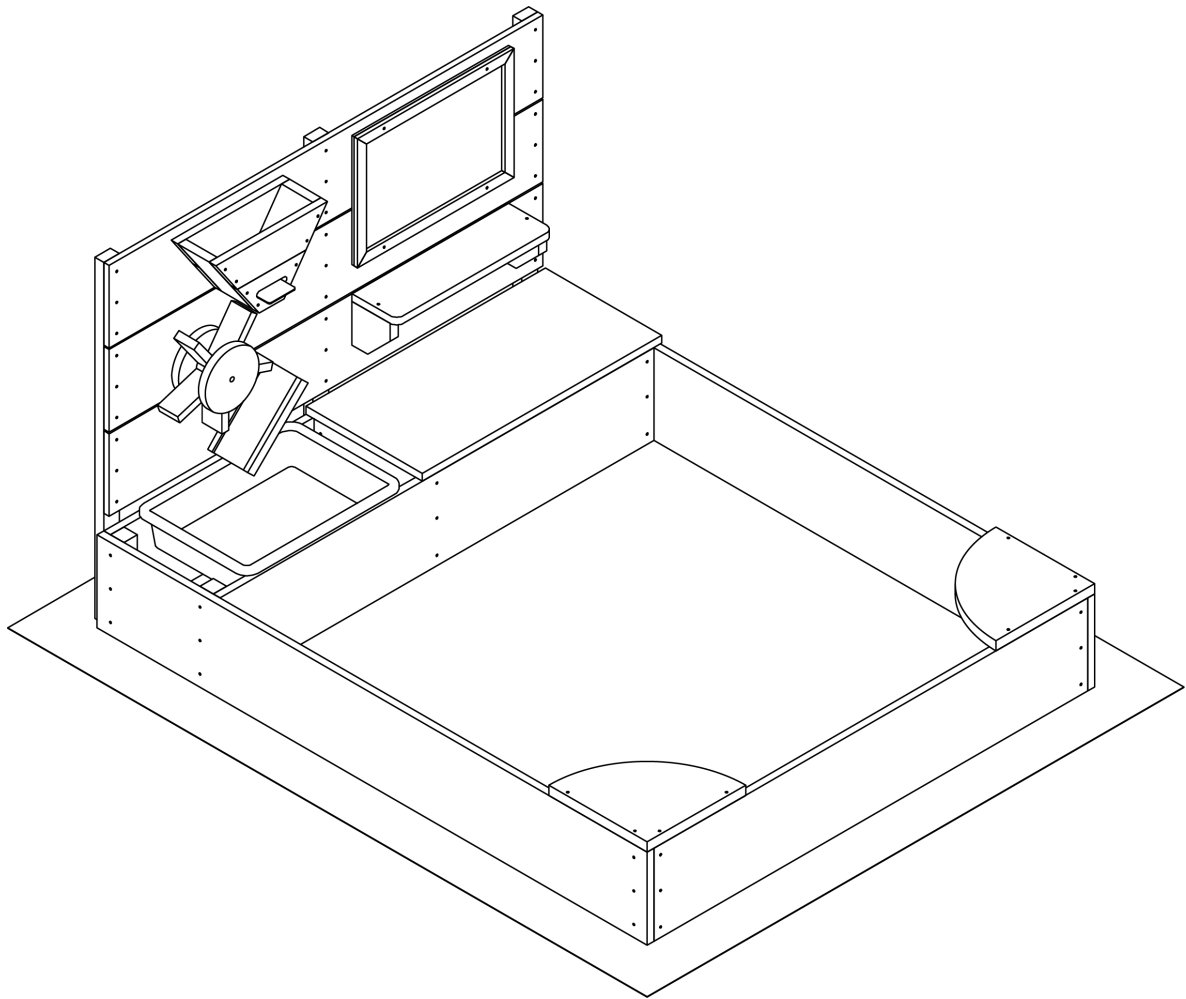


Wooden Sandbox



BELLEZE[®]

FOLLOW US:

CONTACT INFO:

ITEM NO. 014-HG-17301



@bellezefurniture

support@belleze.com
1-800-682-6376

The instruction booklet contains **IMPORTANT** safety information. Please read it in full and keep it for future reference.

www.belleze.com

Scan this QR Code
to view our online tutorial



Estimated time for assembly:

45 mins



WARNING:

The product is designed for children 3+ years old.

The product is to be assembled by an adult.

It contains potentially hazardous sharp points and small parts in unassembled state, please keep out of reach of children.

Close and constant adult supervision is required when children is using this product.



Assemble the product on an empty carton, carpet, or rug to prevent scratches or damage.

For safety, please keep pets and children away from the assembly area.

Ensure the product is fully assembled before use. If you are missing any hardware or products, do not use it until you have restored the missing parts.



This product requires 2 people for assembly.

Read this instruction manual prior to assembly to familiarize yourself with the various steps.

Lay out all components and hardware separately on a flat surface and make sure that no parts are missing or damaged before assembly. Do not destroy or discard any packaging until you are certain that you have all the necessary parts for assembly.

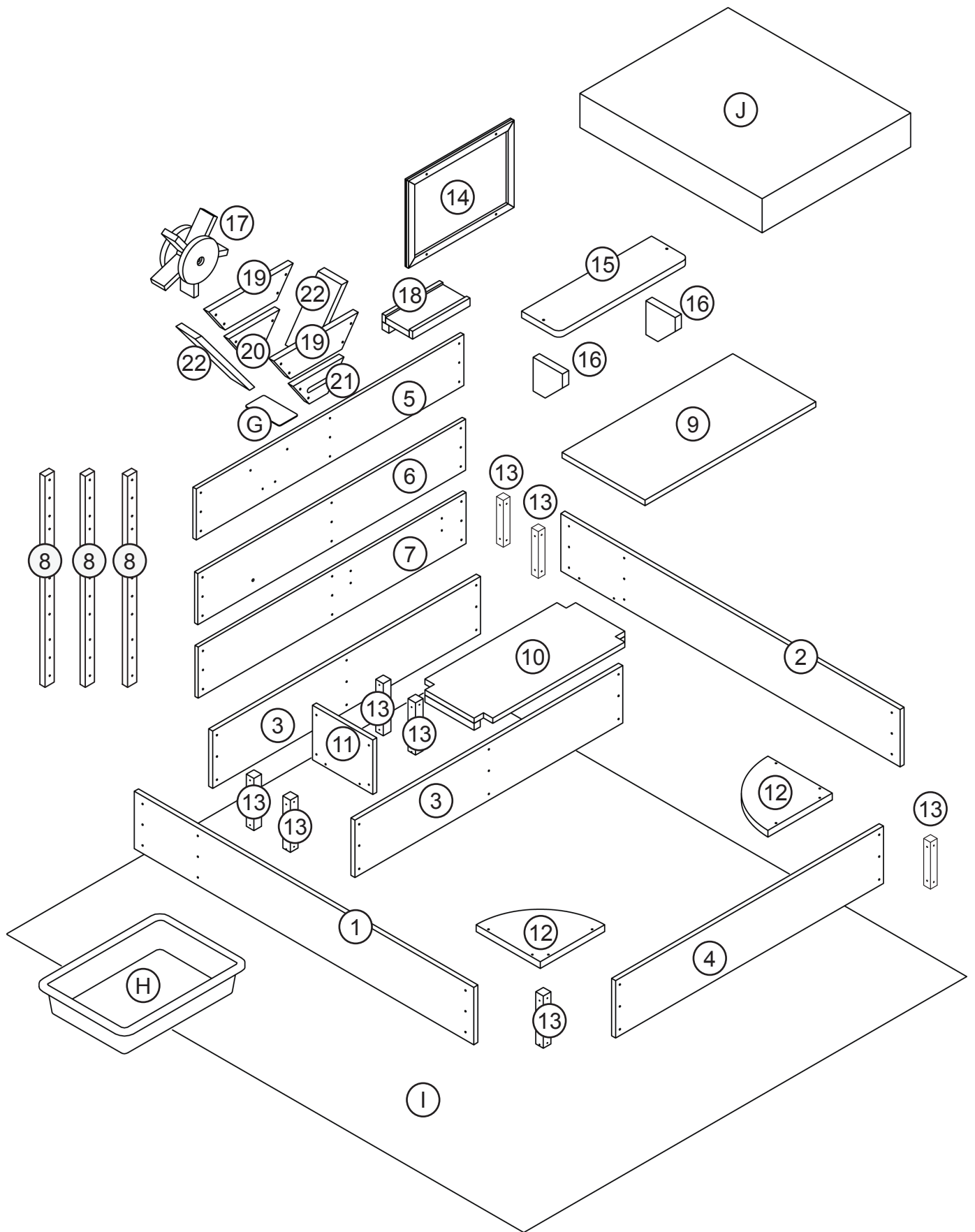
Hand tight all hardware and careful not to over tighten to avoid damaging the product.

CAUTION

There are small components used in the construction of this product. Loose items should be kept away from pets and children to avoid a choking hazard.

Keep all plastic bags and packaging film away from pets and children to avoid suffocation.

PACKAGE CONTENTS

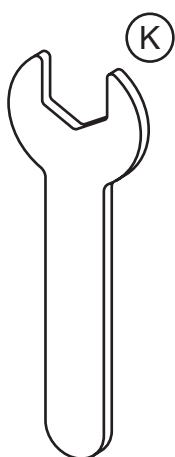


PACKAGE CONTENTS

| CODE | DESCRIPTION | QTY |
|------|------------------------------|-----|
| 1 | Left Panel | 1 |
| 2 | Right Panel | 1 |
| 3 | Back End Panel | 2 |
| 4 | Front End Panel | 1 |
| 5 | Top Standing Board | 1 |
| 6 | Middle Standing Board | 1 |
| 7 | Bottom Standing Board | 1 |
| 8 | Vertical Support | 3 |
| 9 | Right Compartment Cover | 1 |
| 10 | Right Compartment Base Panel | 1 |
| 11 | Divider Panel | 1 |
| 12 | Quadrant Corner Panel | 2 |
| 13 | Corner Piece | 8 |
| 14 | Drawing Board | 1 |
| 15 | Floating Shelf Panel | 1 |
| 16 | Floating Shelf Support | 2 |
| 17 | Rotor | 1 |
| 18 | Sliding Board | 1 |
| 19 | Funnel Upper Panel | 2 |
| 20 | Funnel Bottom Back Panel | 1 |
| 21 | Funnel Bottom Front Panel | 1 |
| 22 | Funnel Side Panel | 2 |

PACKAGE CONTENTS

| CODE | DESCRIPTION | QTY |
|------|-------------|-----|
| G | Funnel Gate | 1 |
| H | Tray | 1 |
| I | Floor Mat | 1 |
| J | Cover | 1 |
| K | Wrench | 1 |



1x



35x



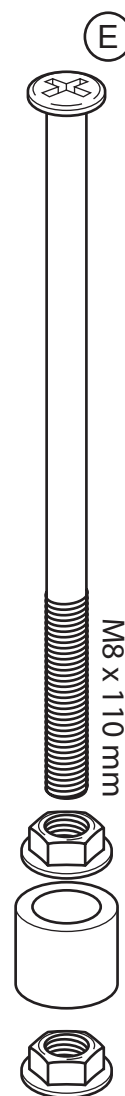
18x



54x



9x



1x

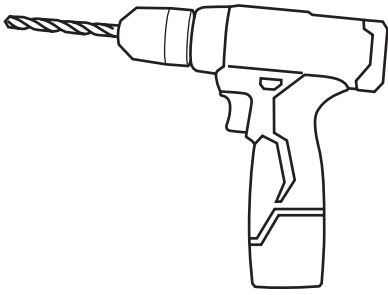
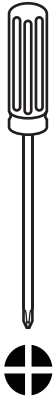


10x



Install all hardware perpendicular to the opening.

Required tools for assembly (Not included)

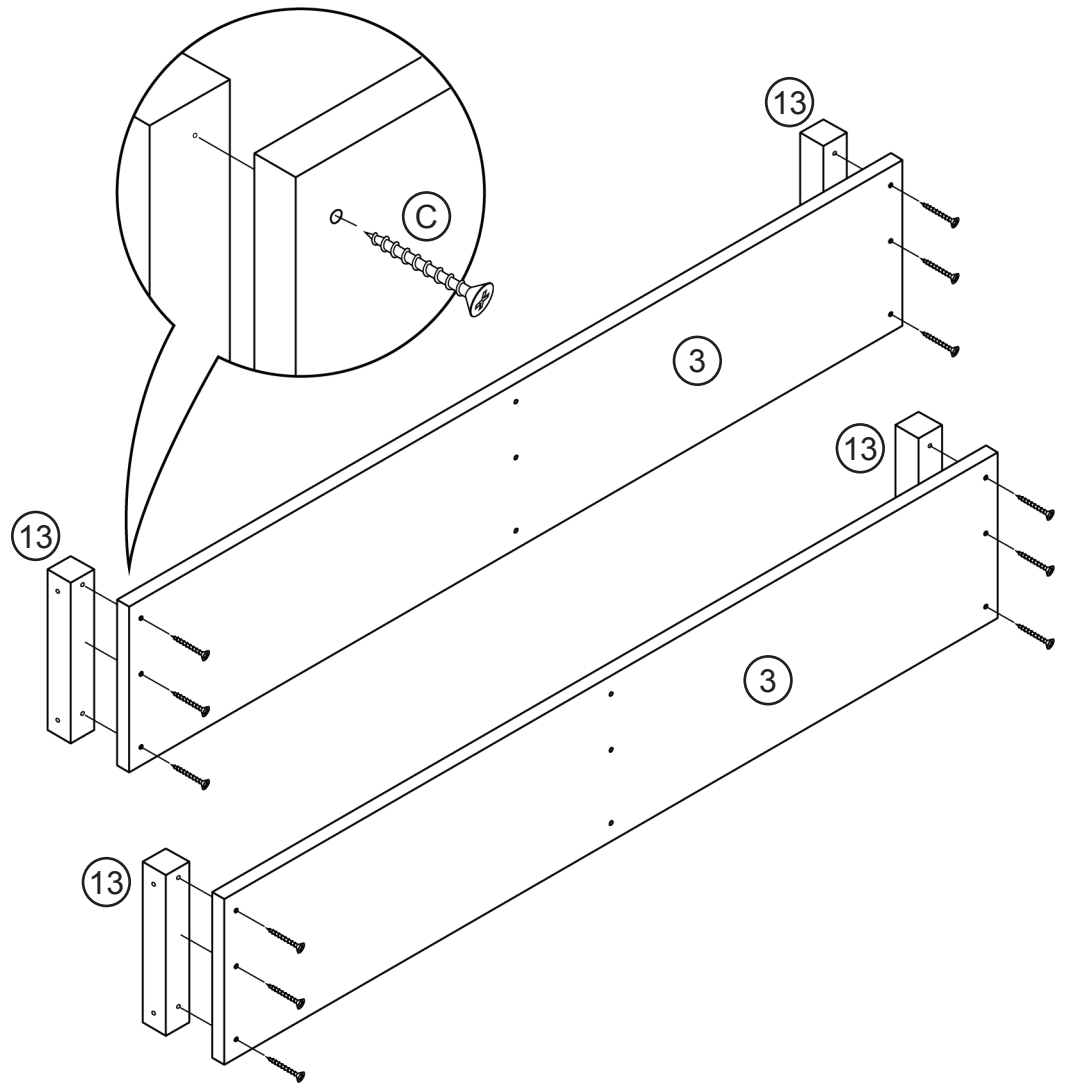


1

Attach the corner pieces (13) to the back end panels (3).

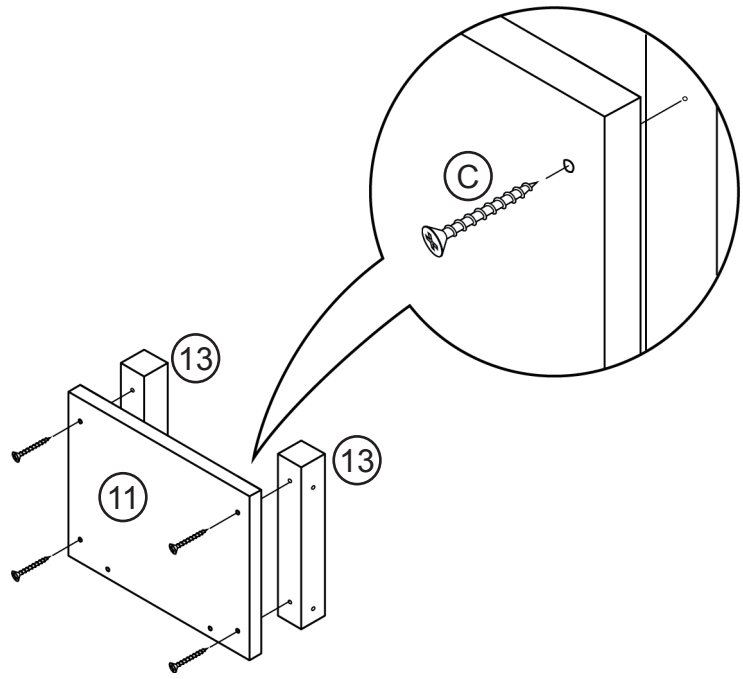


(C) 12x



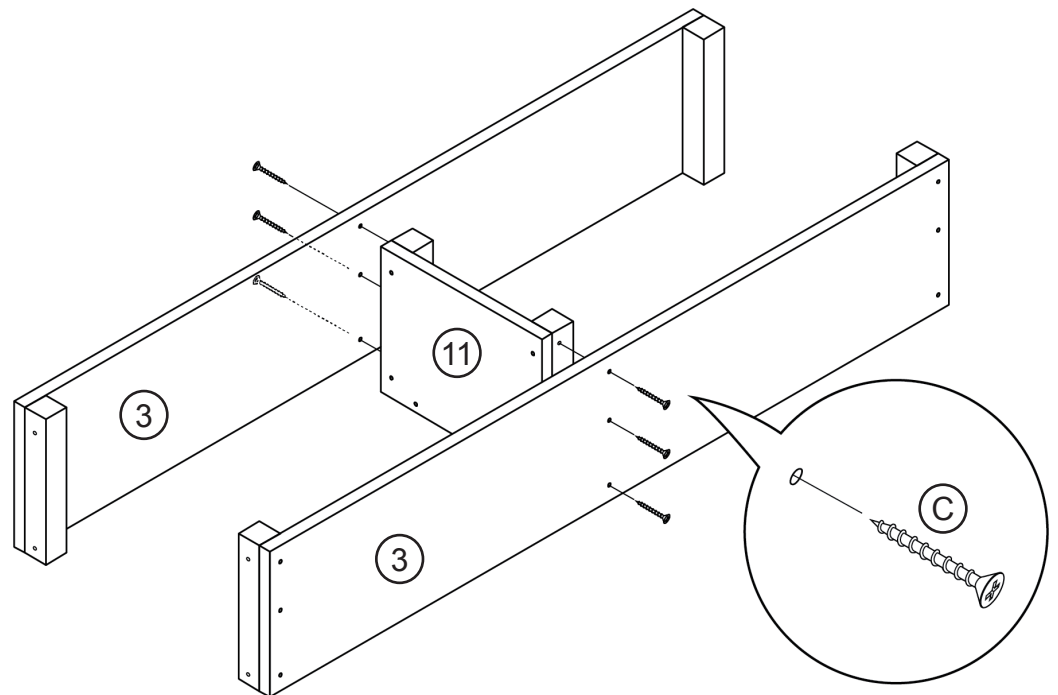
2

Attach the corner pieces (13) to the divider panel (11).



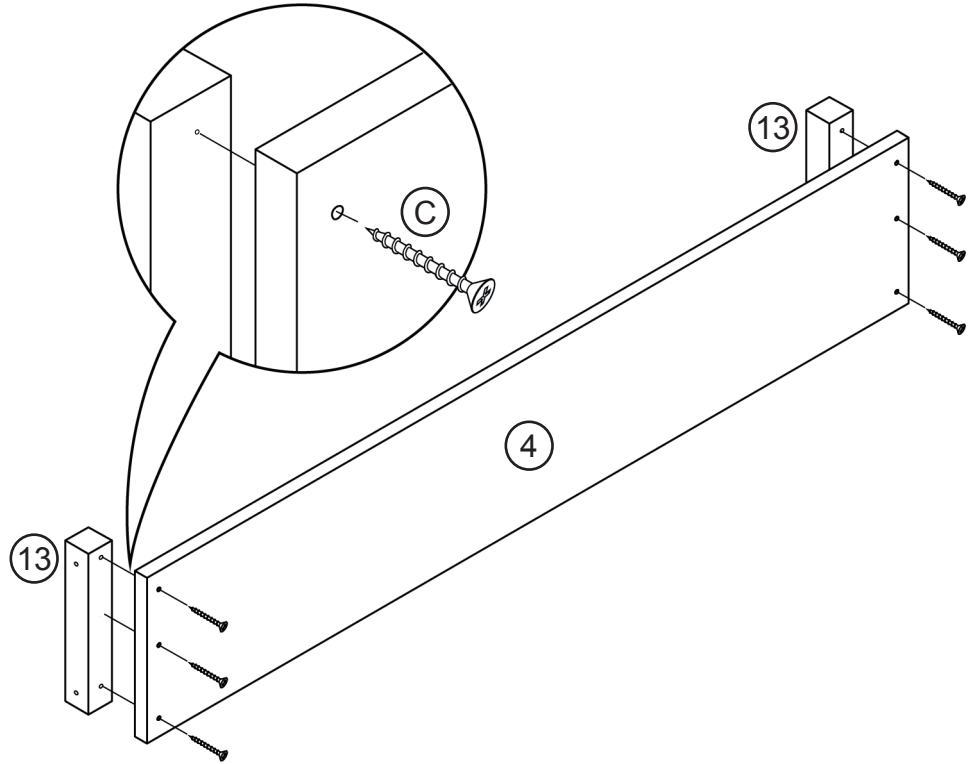
3

Assemble the divider panel (11) between the two back end panels (13).



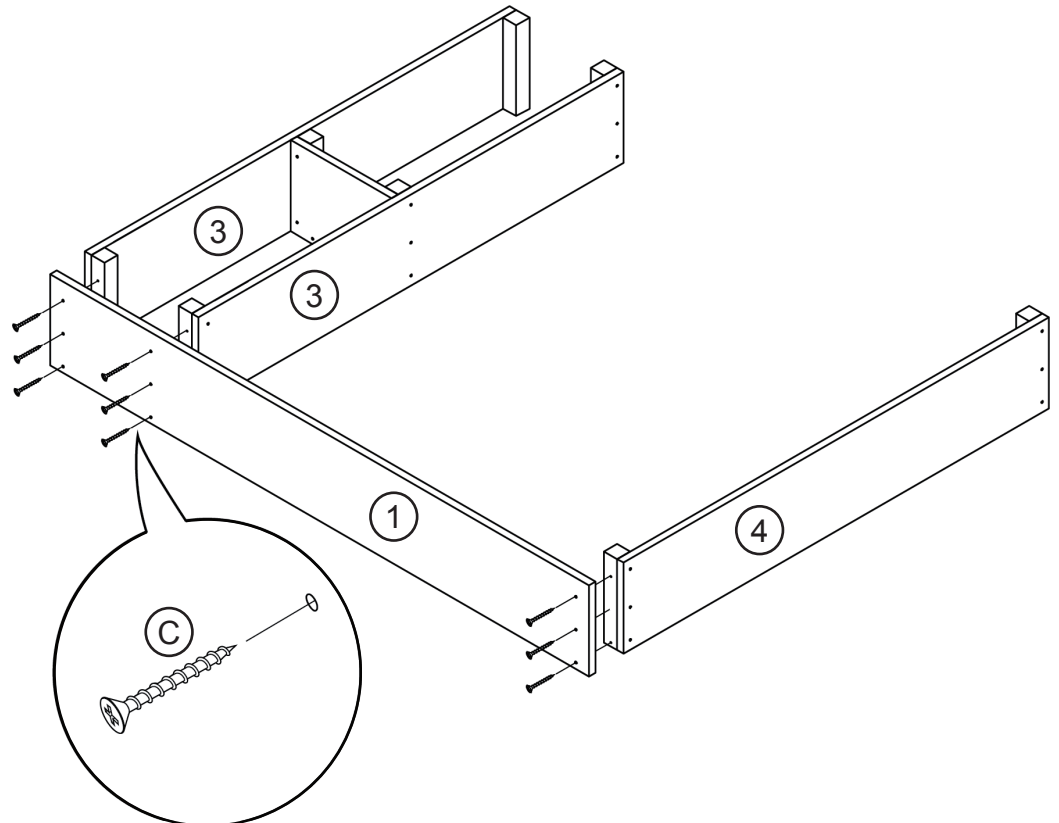
4

Attach the corner pieces (13) to the front end panel (4).



5

Assemble left panel (1) to the back end panels (3) and the front end panel (4).

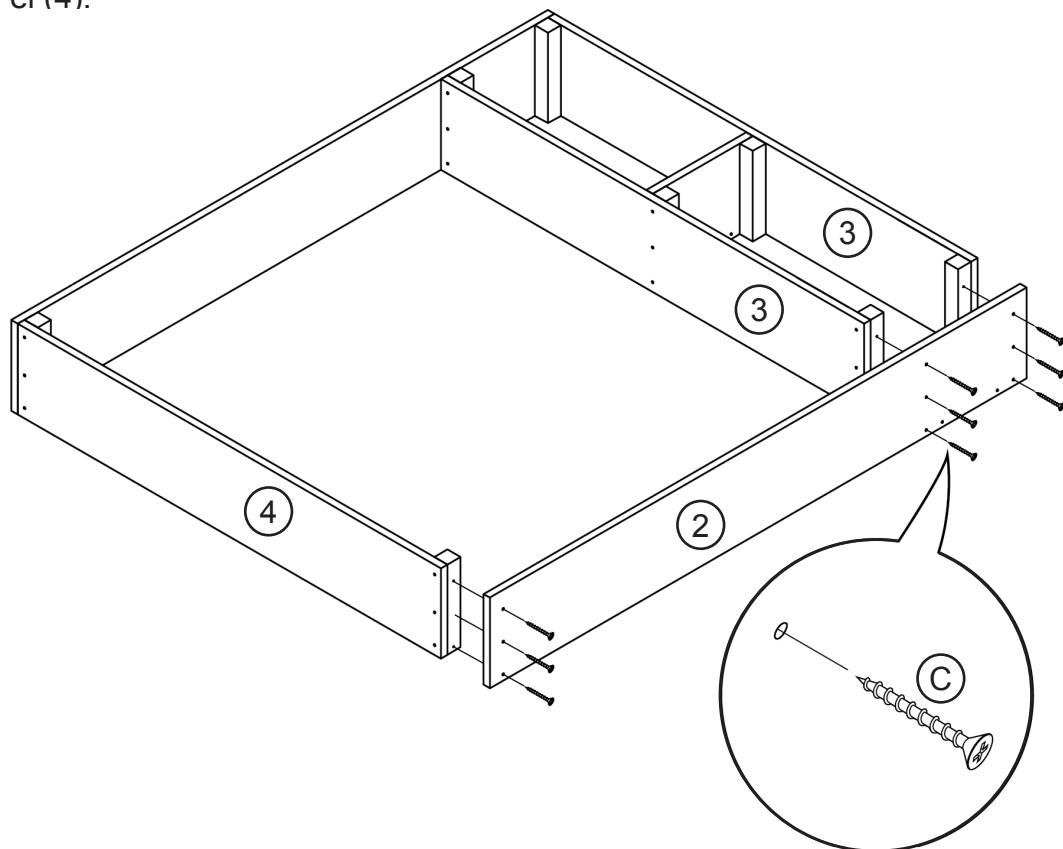


6

Assemble right panel (2) to the back end panels (3) and the front end panel (4).



(C) 9x

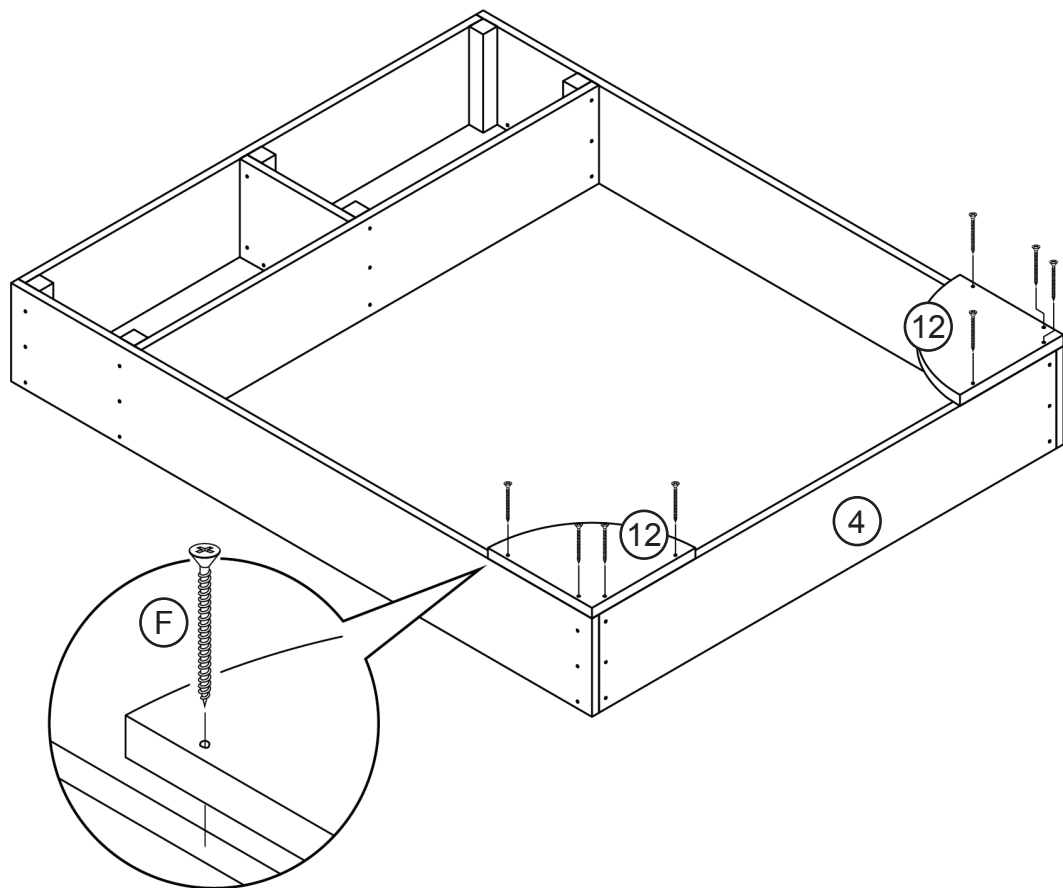


7

Assemble the quadrant corner panels (12) to the corner of the front end panel (4)

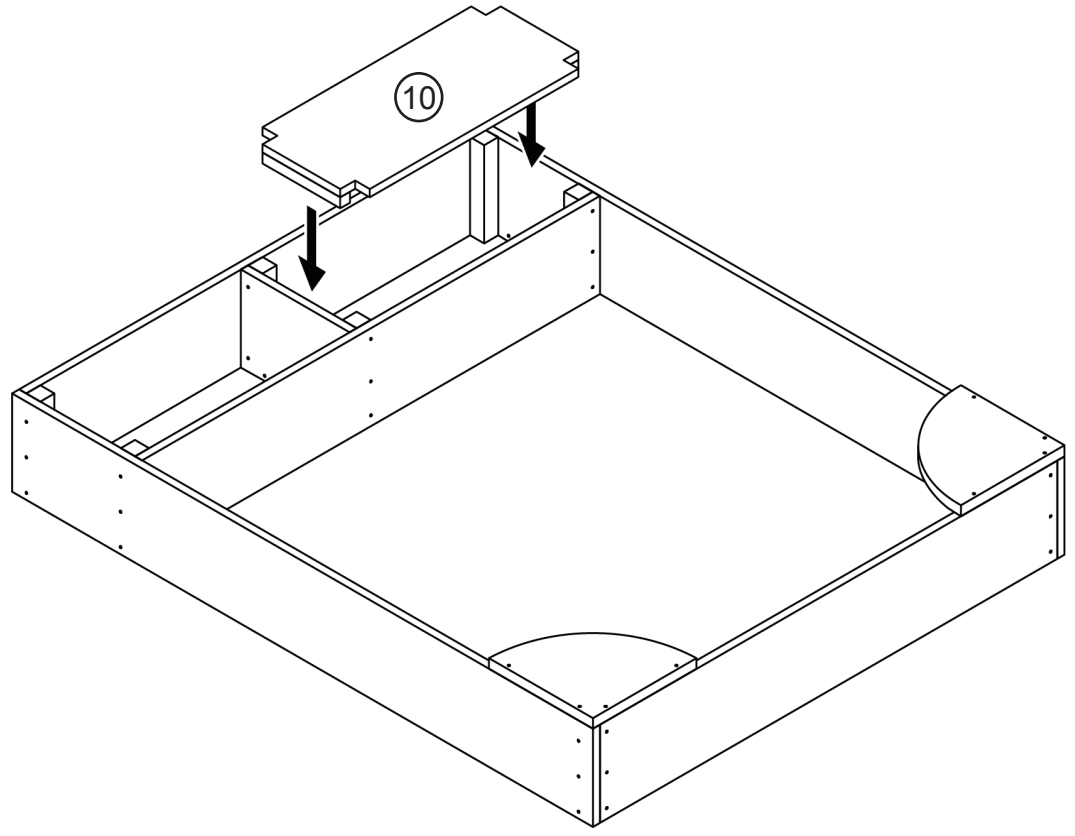


(F) 8x



8

Place the right compartment base panel (10) into the right compartment.

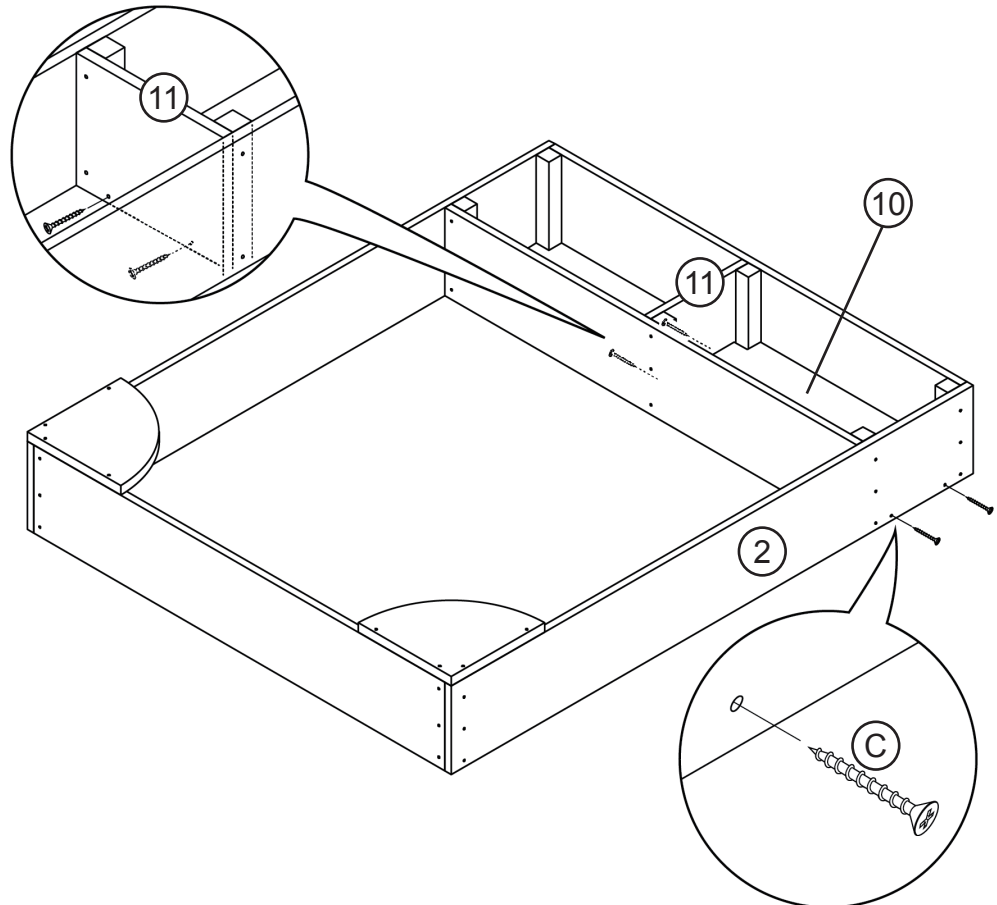


9

Secure the right compartment base panel (10) between the divider panel (11) and the right panel (2).

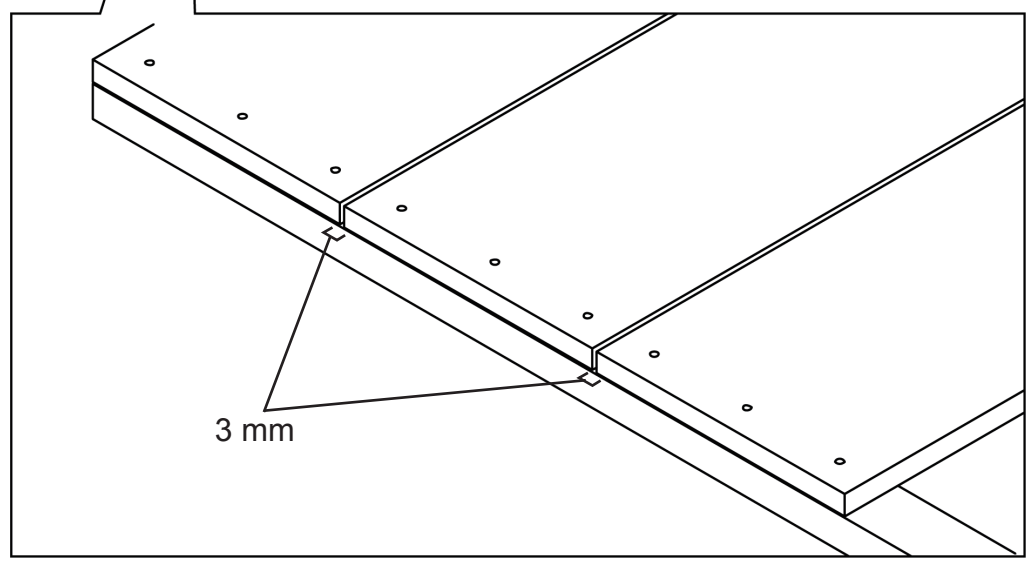
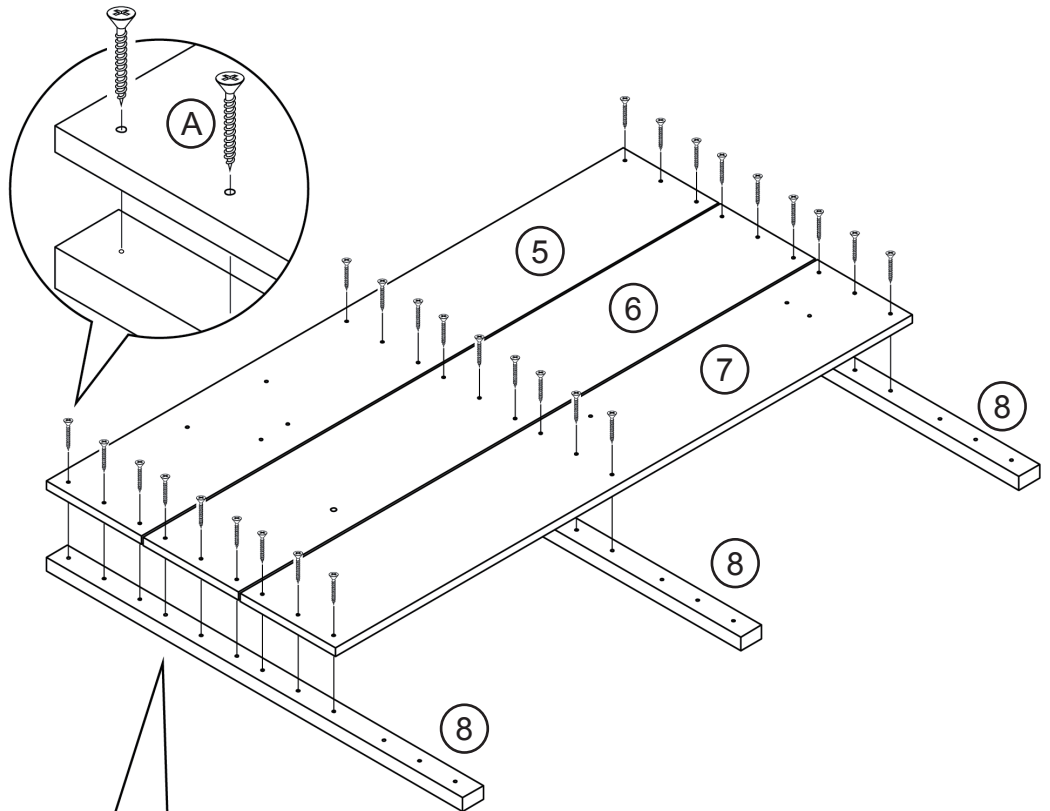


(C) 4x



10

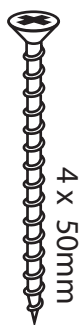
Attach the standing boards (5, 6, 7) to the vertical supports (8).



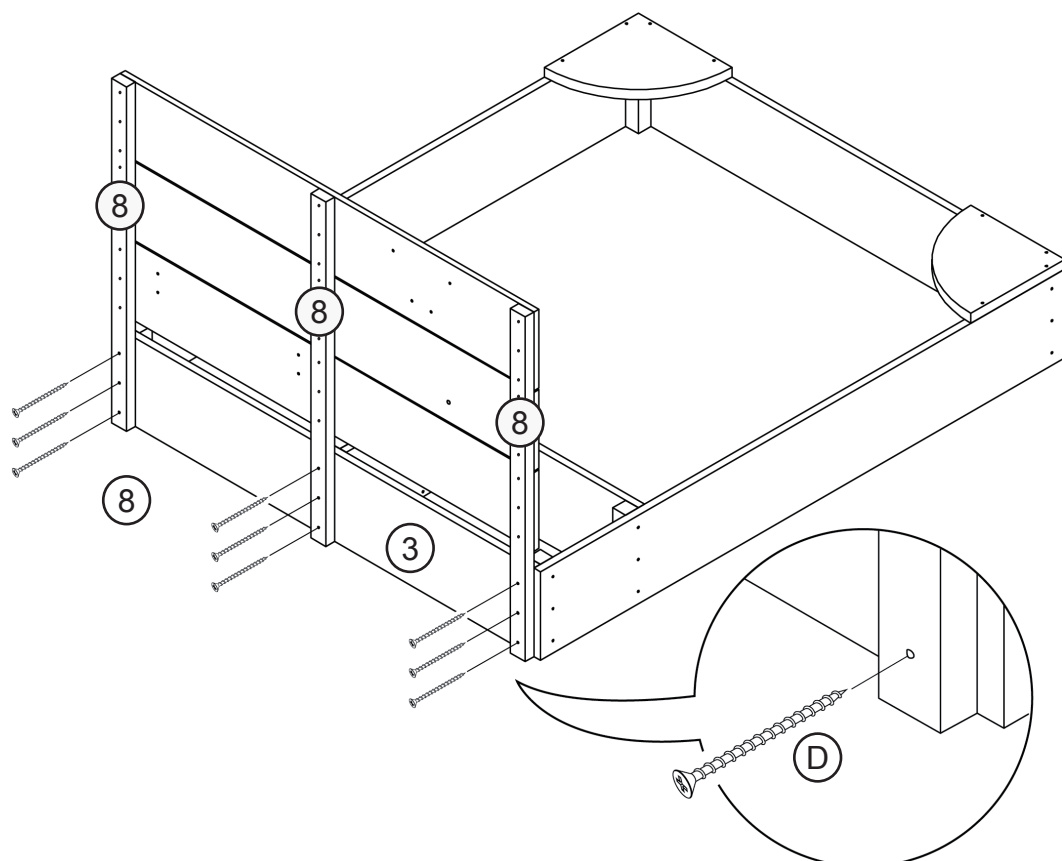
Keep each panel at least 3 mm apart

11

Attach the standing board module to the back to the back end panel.



(D) 9x

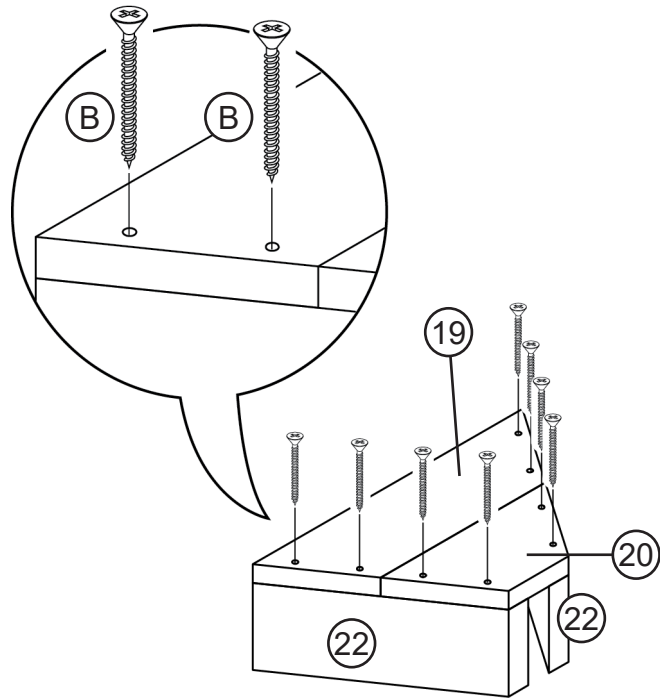


12

Assemble the funnel bottom back panel (20) and funnel upper panel (19) to the funnel side panels (22).



(B) 8x

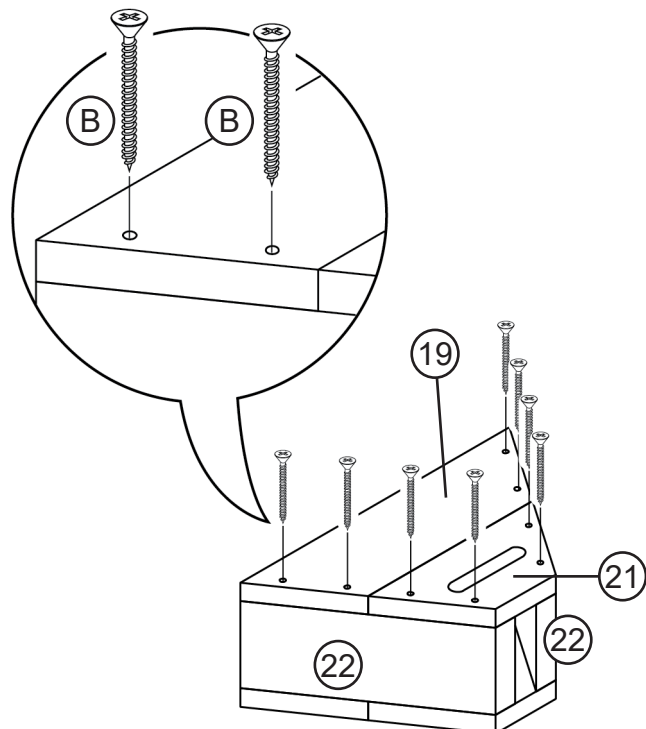


13

Assemble the funnel bottom front panel (21) and funnel upper panel (19) to the funnel side panels (22).



(B) 8x

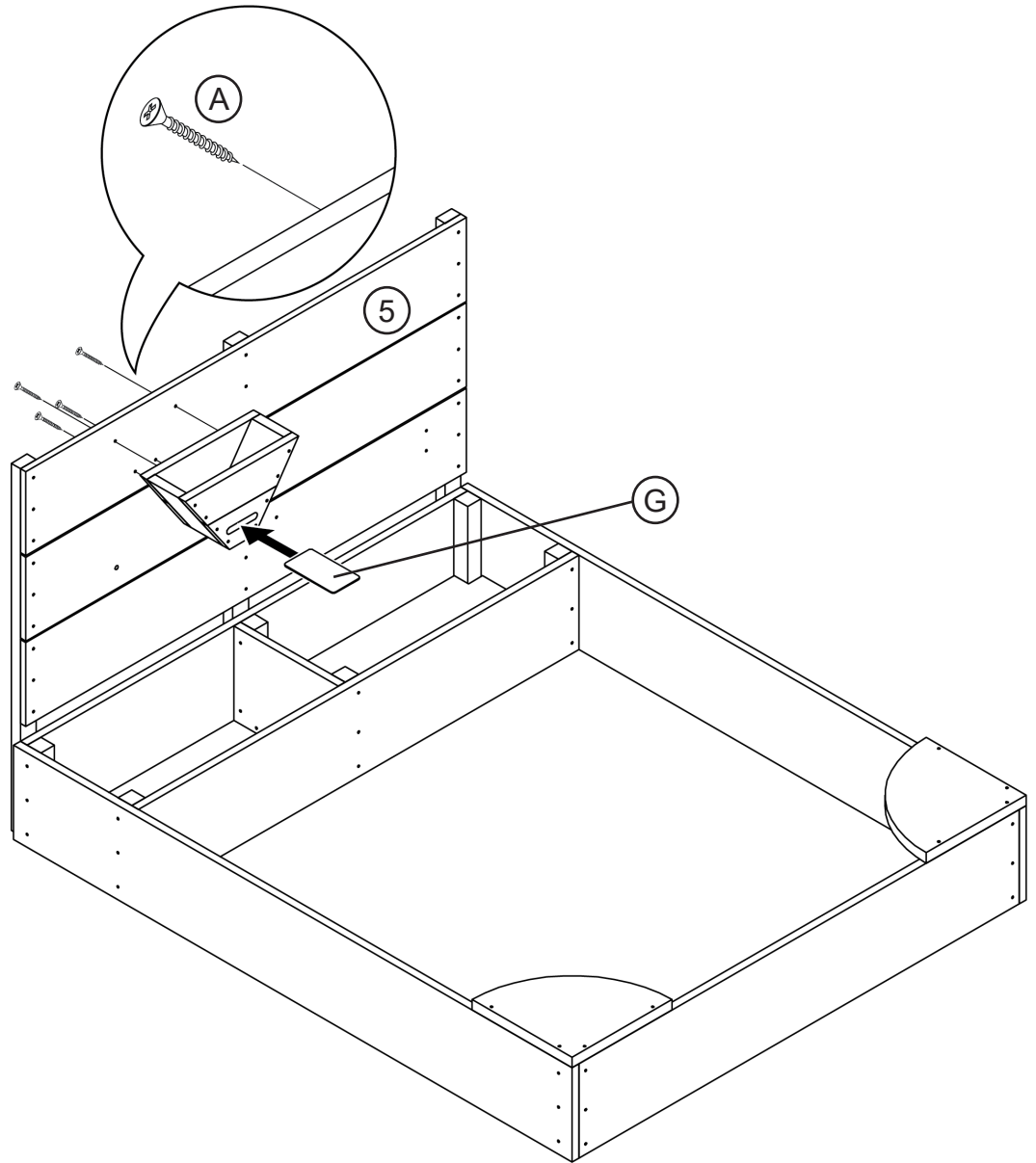


14

Assemble the funnel to the top standing board (5) and slide in the funnel gate (G).



(A) 4x

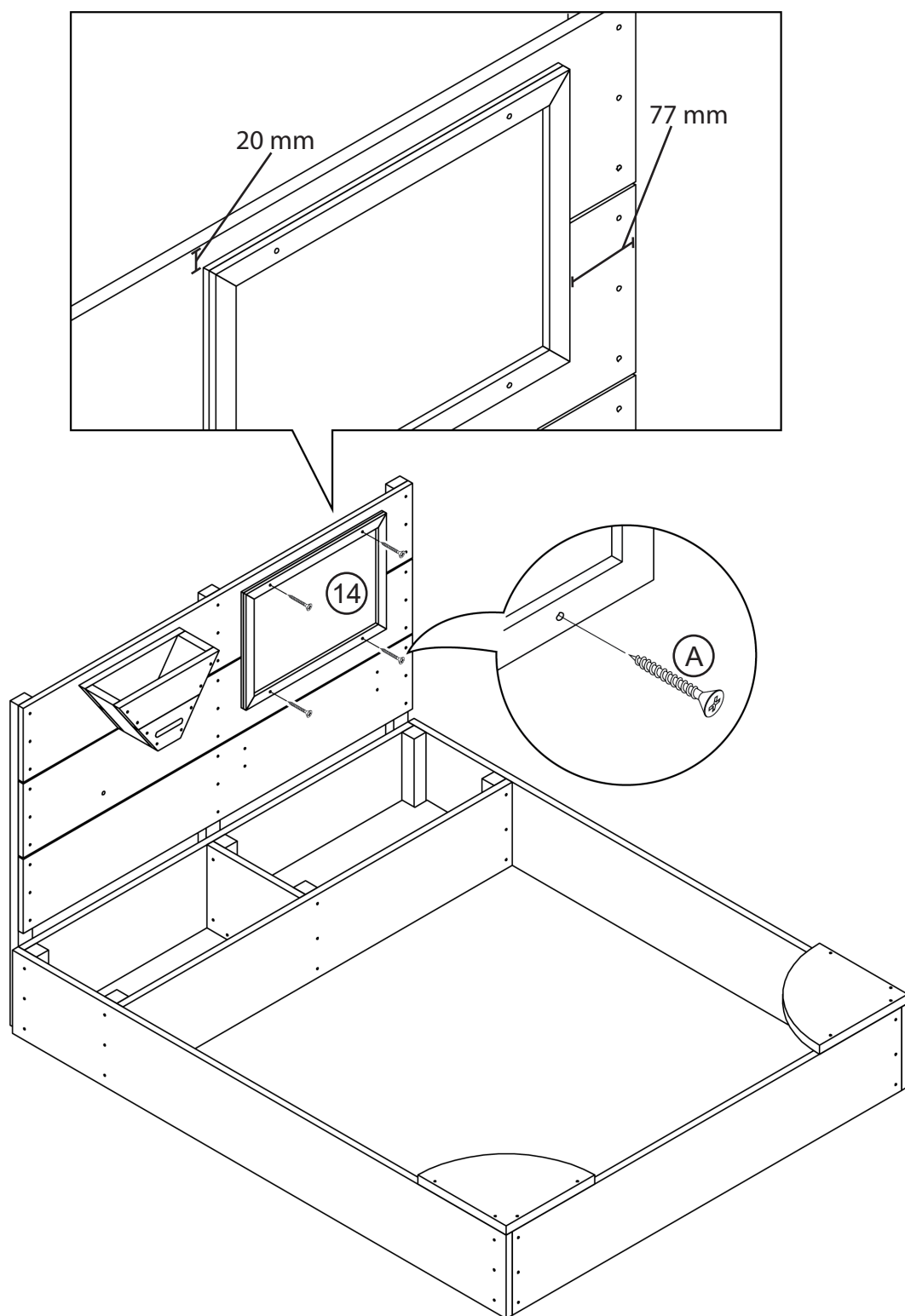


15

Attach the drawing board (14) to the right side of the top and middle standing board.

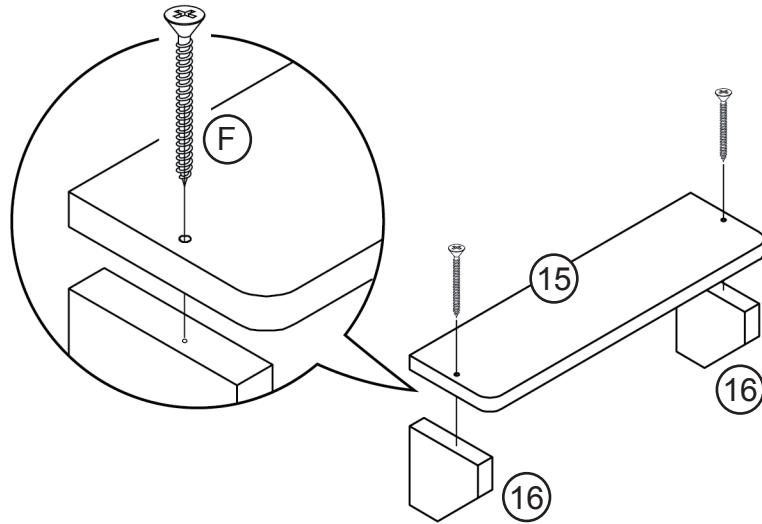


(A) 4x



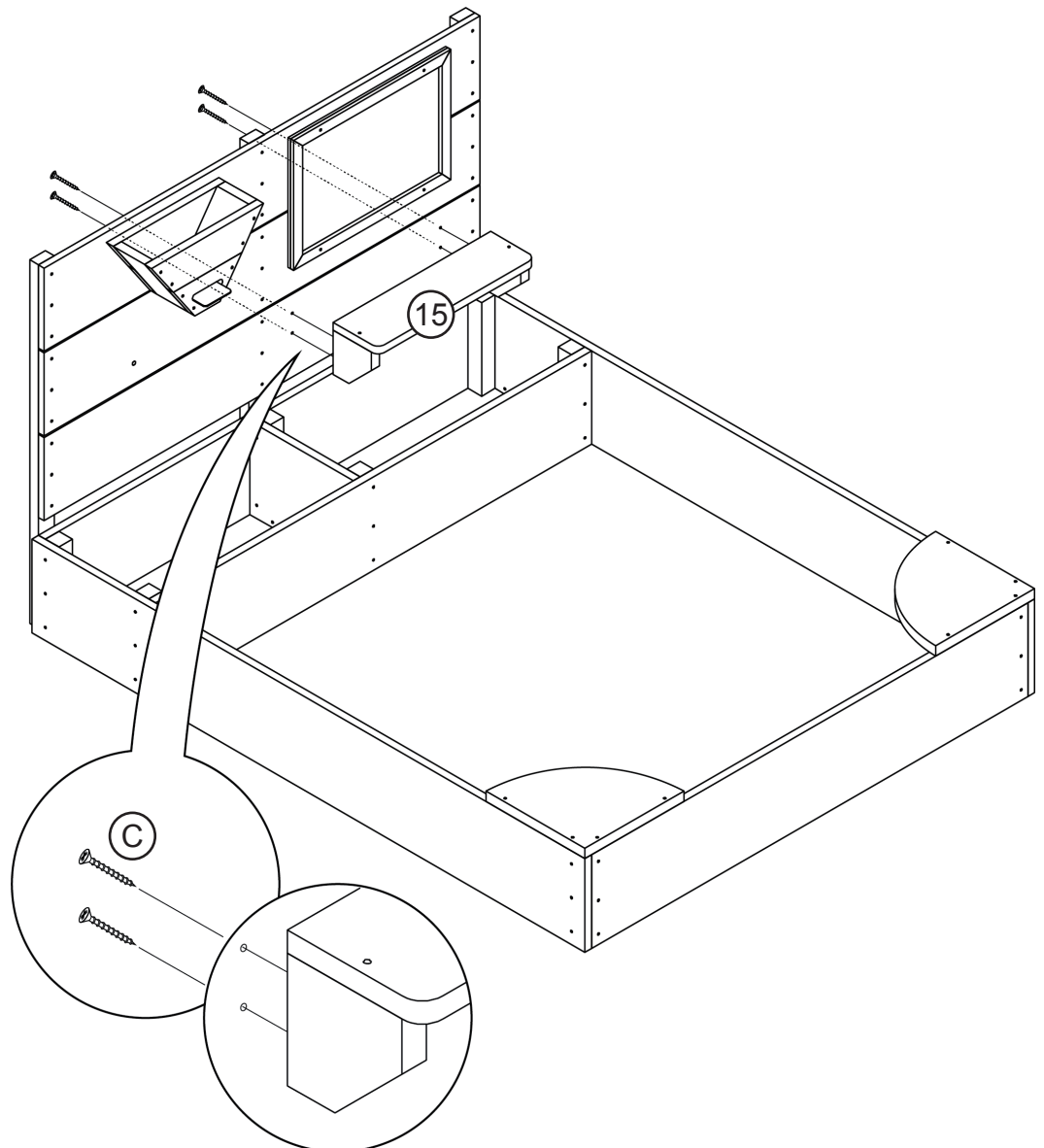
16

Assemble the floating shelf supports (16) under the floating shelf panel (15).



17

Attach the floating shelf to the bottom standing board.

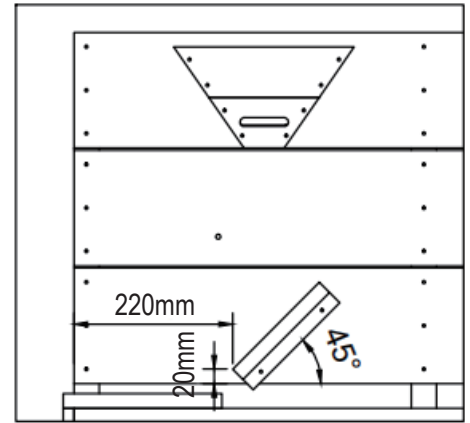
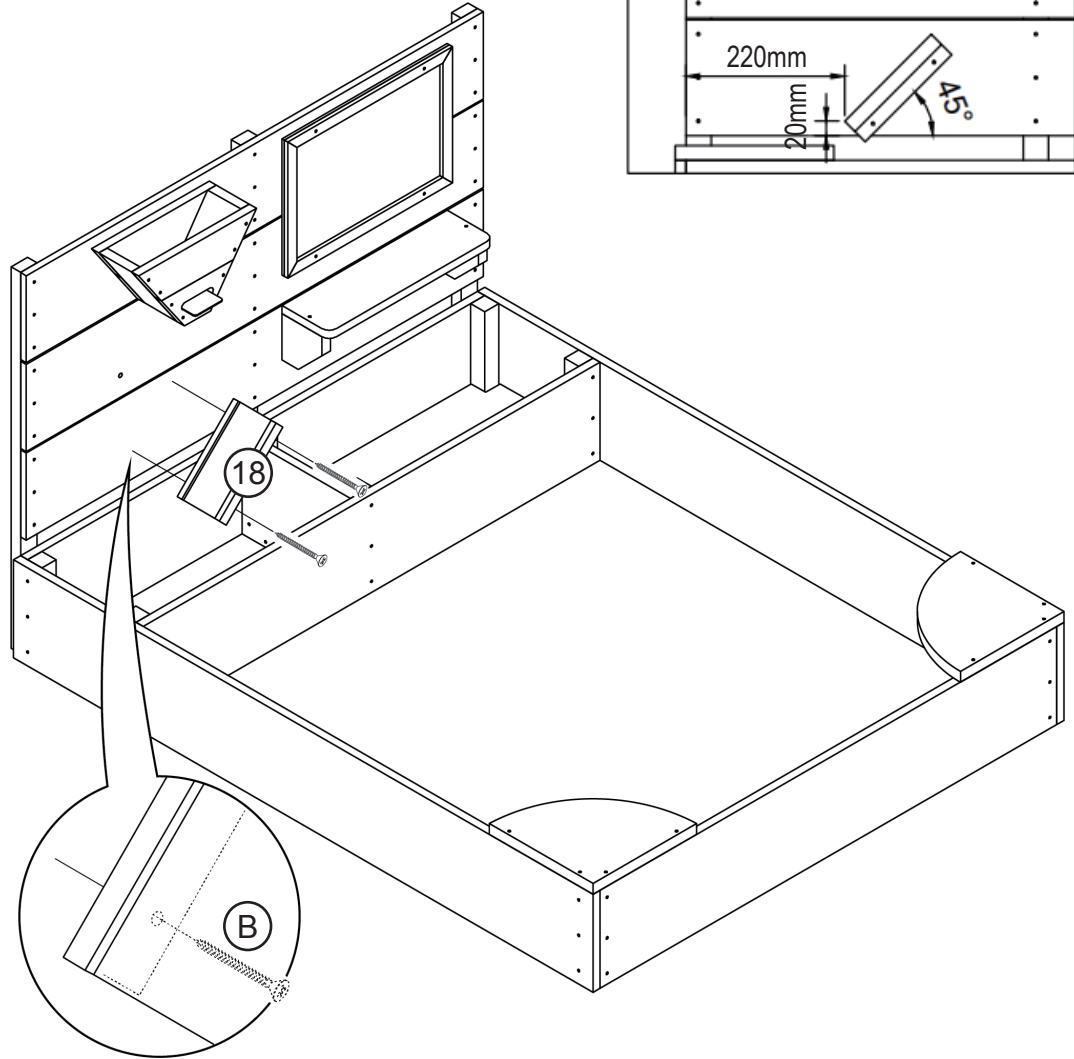


18

Attach the slide panel (18) to the bottom standing board.

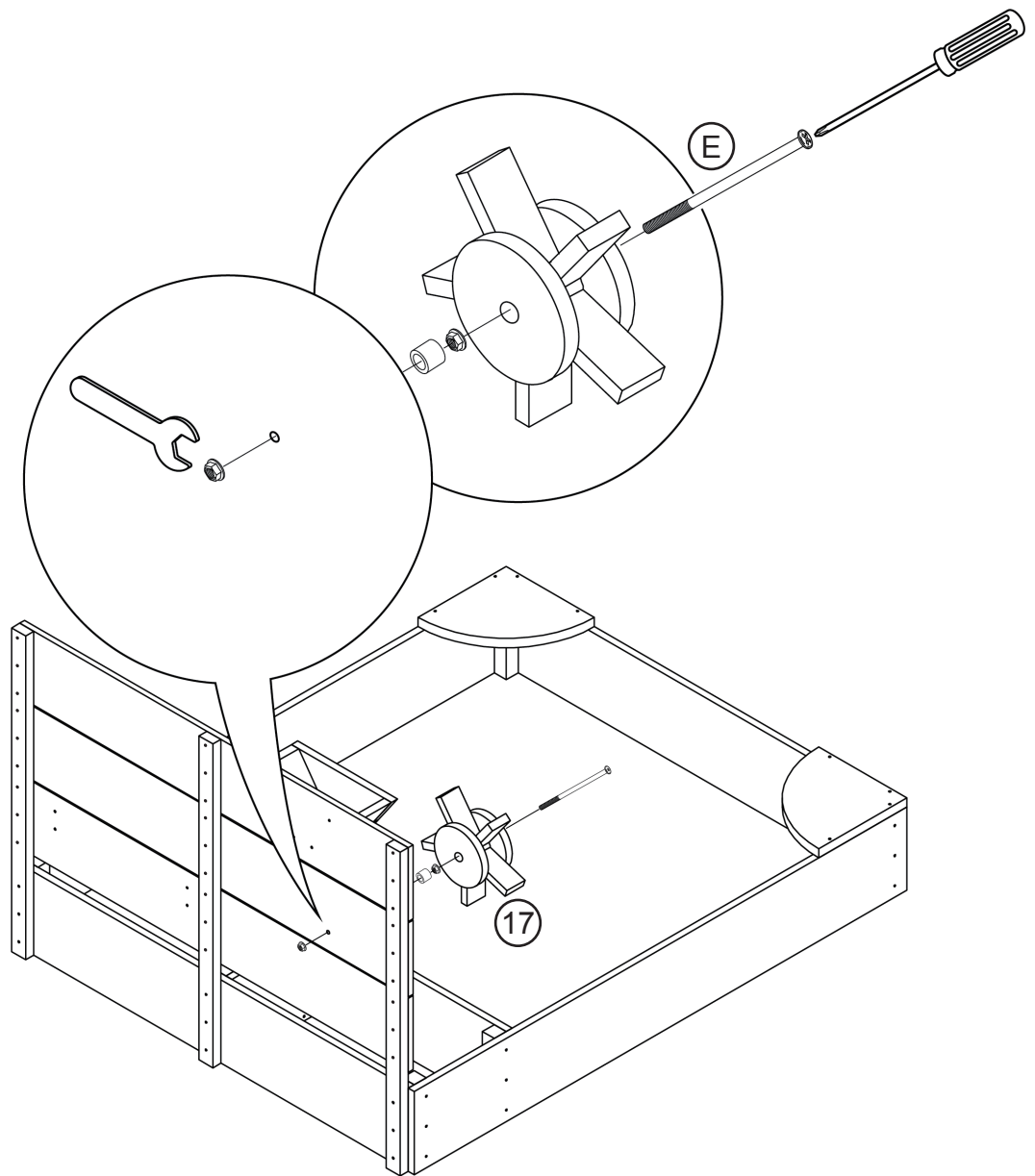
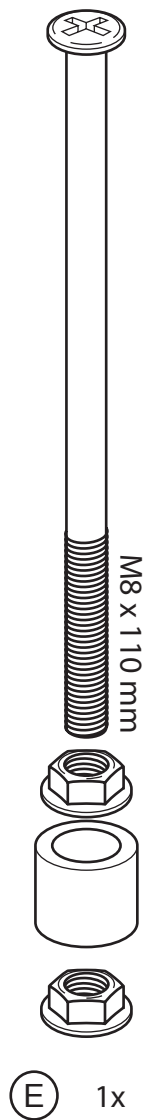


(B) 2x



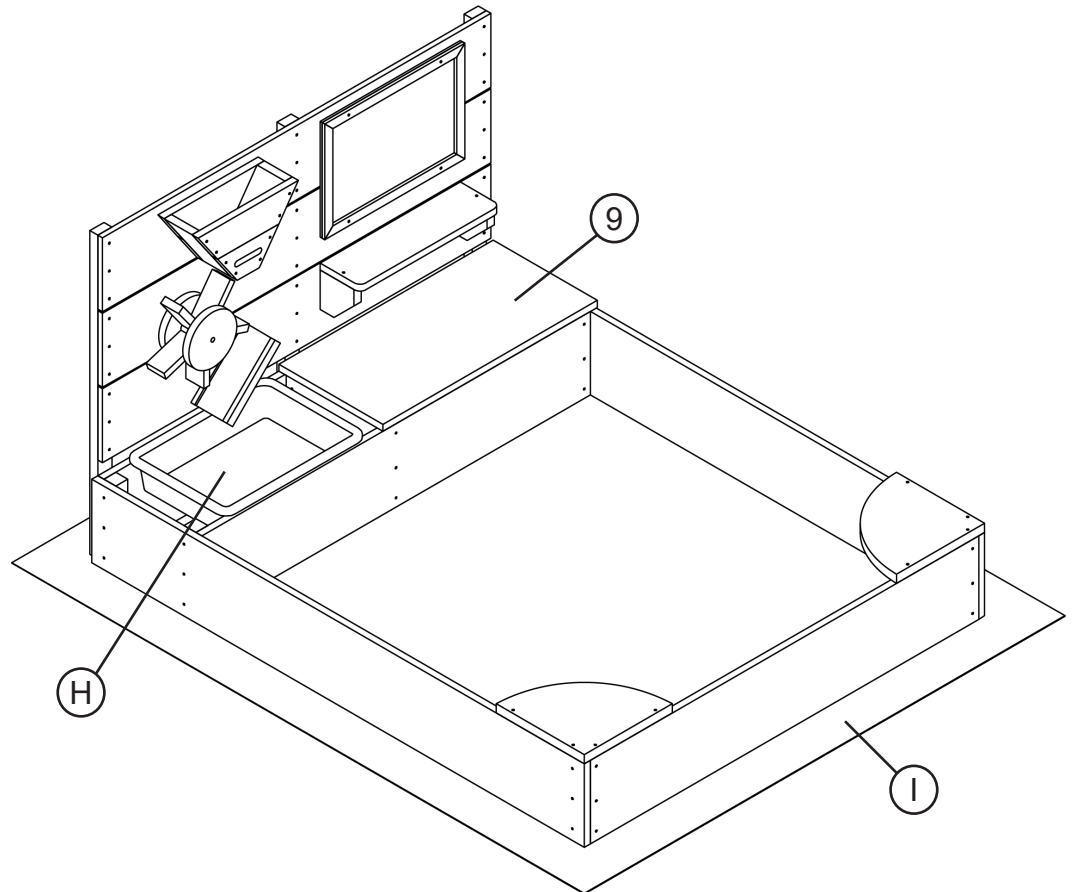
19

Attach the rotor (17) to the middle standing board.



20

Place the sandbox on the floor mat (I) and put on the right compartment cover (9) and the tray (H) to the sandbox.



YOU'RE FINISHED!

BELLEZE®

FURNITURE CARE AND MAINTENANCE

Thank you for your purchase. We want your item to last as long as possible. To ensure the product gives you years of longevity, please follow the recommendations in this care and maintenance guide.



MAINTENANCE

- Tighten all bolts and screws again within the first 2 weeks of assembly.
- Check the tightness of all bolts every 2 months and tighten them if necessary.



CLEANING

- Clean the furniture surface with a lightly dampened cloth or soft brush.
- Regularly clean the cloth surface with a vacuum cleaner.
- Dry the surface immediately after cleaning.

⚠ DO NOT use bleach or alcohol to clean the surface.



STORAGE

- Store the product in dry environment and away from direct sunlight.

⚠ WARNING

The manufacturer and seller are not responsible for any and all liability relating to personal injury, property damage or losses, whether direct, indirect, or incidental, resulting from the incorrect attachment, improper use, inadequate maintenance, unapproved modification or neglect of this product.

Importer: Align Inc.

Importer Address: 19301 E Walnut Dr. N., City of Industry, CA 91748 United States

Importer Tel: 1 (800) 946-6151

© All copyright of this document belongs to BELLEZE .
This document may not be printed, translated, reproduced, or distributed in whole or in
part without written permission from BELLEZE.

WARRANTY

BELLEZE products come with a 1-year warranty from the date of delivery.
Register your product on our website to enjoy our limited lifetime warranty!



AFTER-SALE SERVICE



Encounter any difficulties or missing parts?



Contact us at **1-800-682-6376** or email us at **support@belleze.com**



We will send you replacement.



Hassle free!
No need to worry about repackaging and sending your item back.

We hope you enjoy your new BELLEZE furniture!
Share your photos on Instagram and tag us: @bellezefurniture.

FOLLOW US:



@bellezefurniture

CONTACT INFO:

support@belleze.com
1-800-682-6376

BELLEZE®