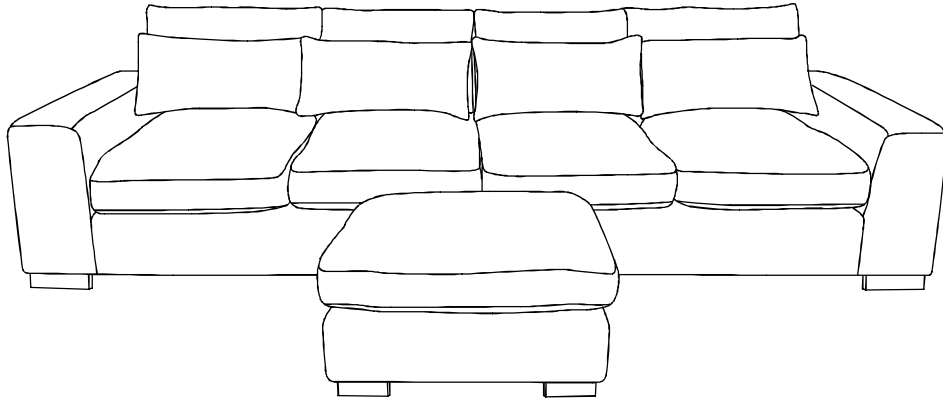
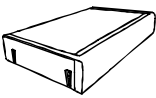
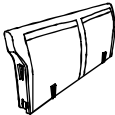
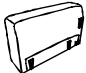

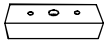
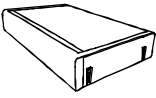







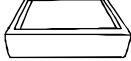





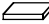



ASSEMBLY INSTRUCTION

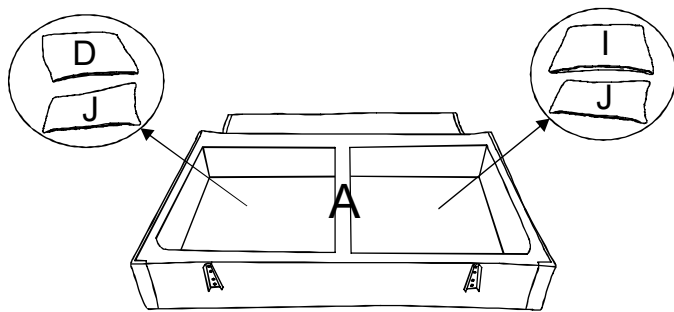


PART LIST

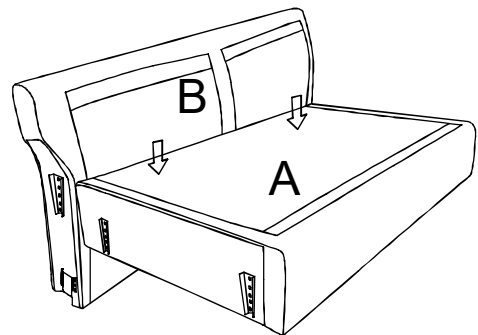
 AX 1	 BX 1	 CX 1	 DX 1	1		12PCS
 EX 1	 FX 1	 GX 1	 HX 1	2		12PCS
 IX 2	 JX 4	 KX 4	 LX 1	3		12PCS
 MX 1				4		24PCS
				5		24PCS
				6		3PCS
				7		24PCS
				8		2PCS

ASSEMBLY FOLLOW BELOW STEPS

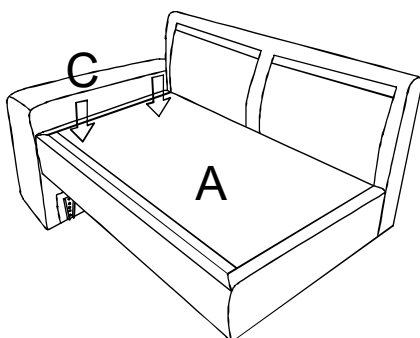
STEP 1



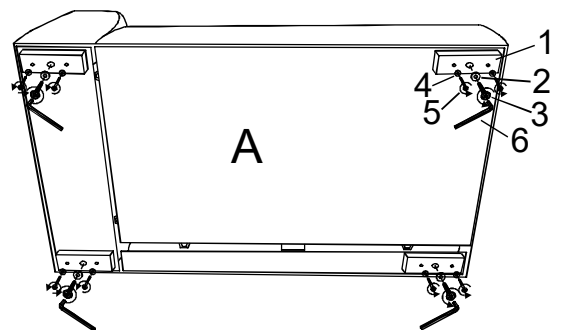
STEP 2



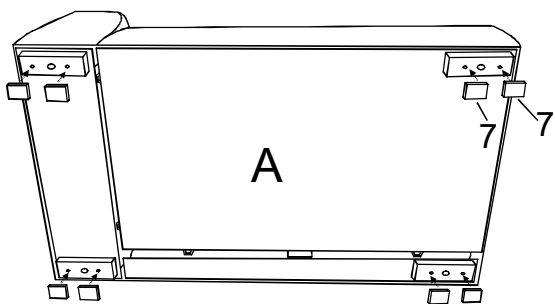
STEP 3



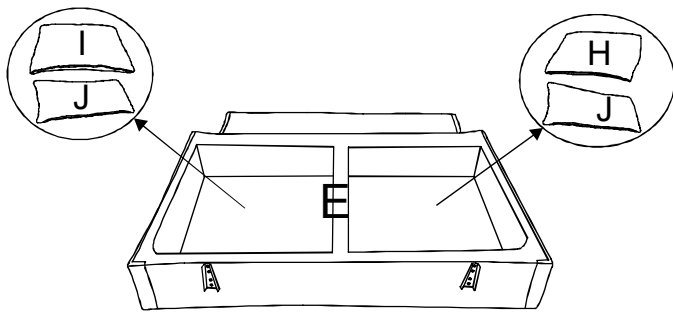
STEP 4



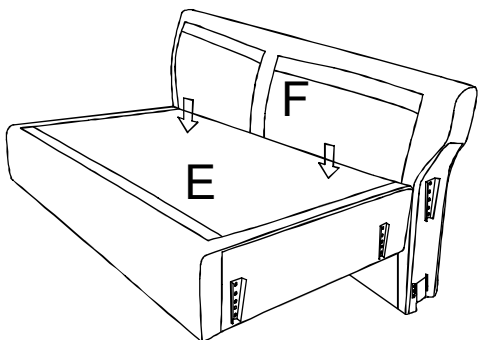
STEP 5



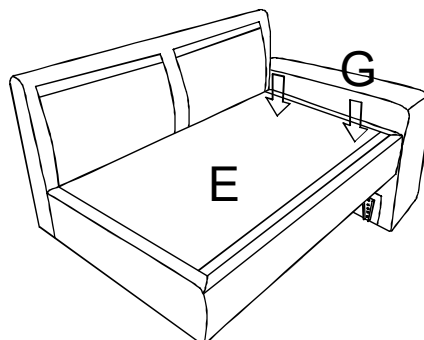
STEP 6



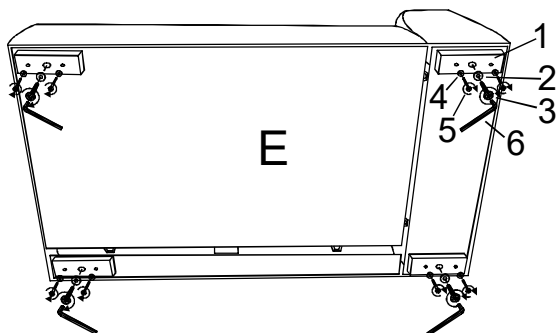
STEP 7



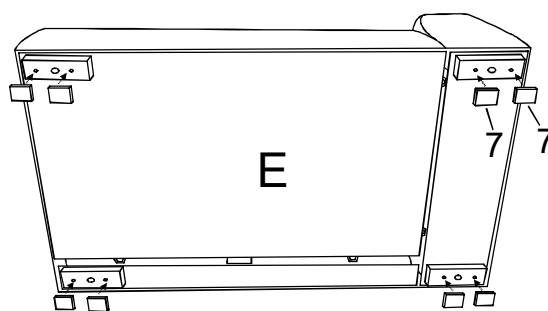
STEP 8



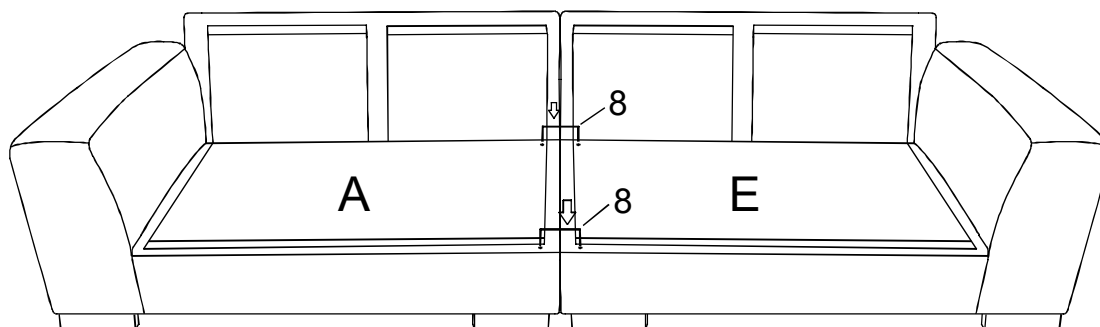
STEP 9



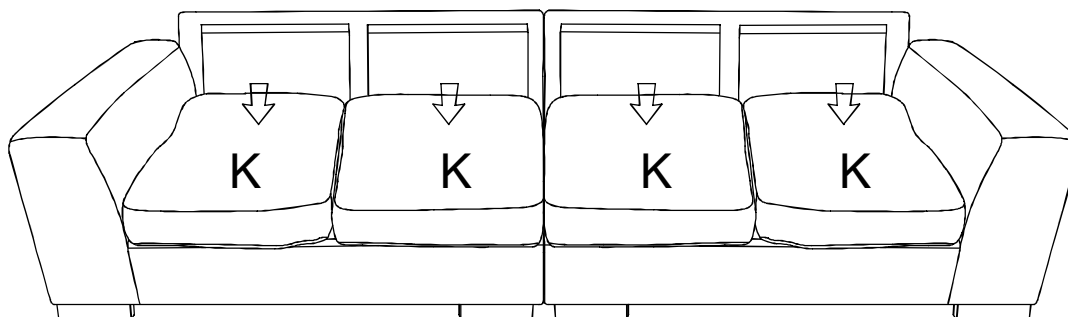
STEP 10



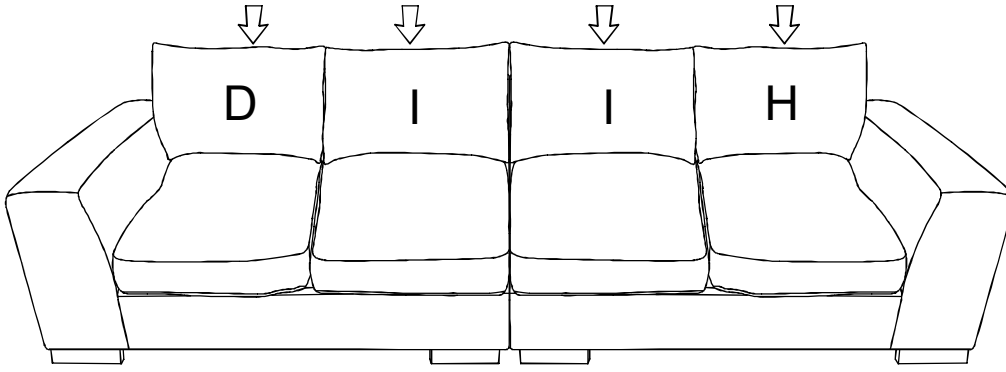
STEP 11



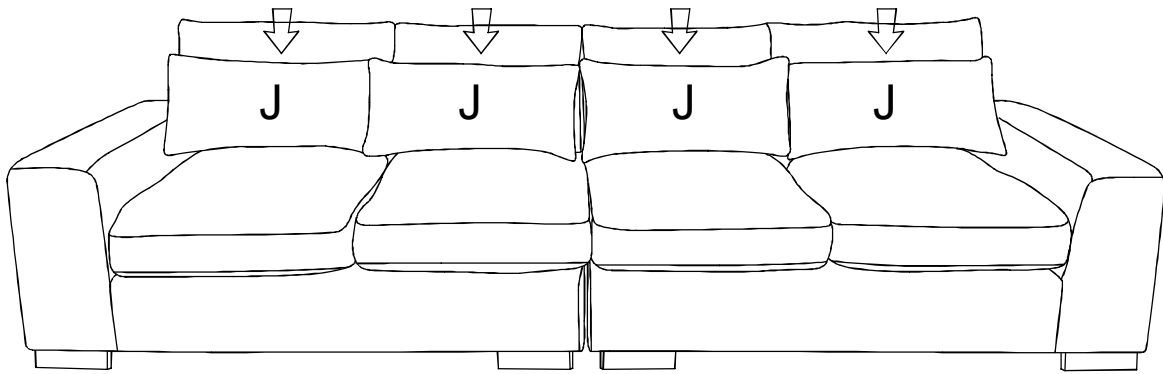
STEP 12



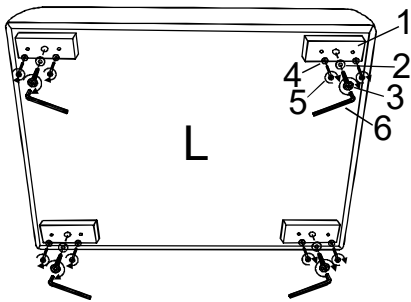
STEP 13



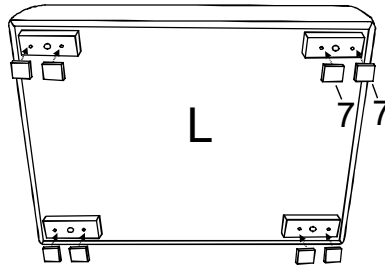
STEP 14



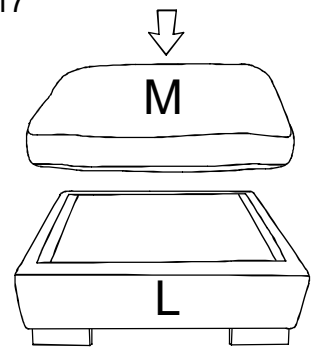
STEP 15



STEP 16



STEP 17



STEP 18

