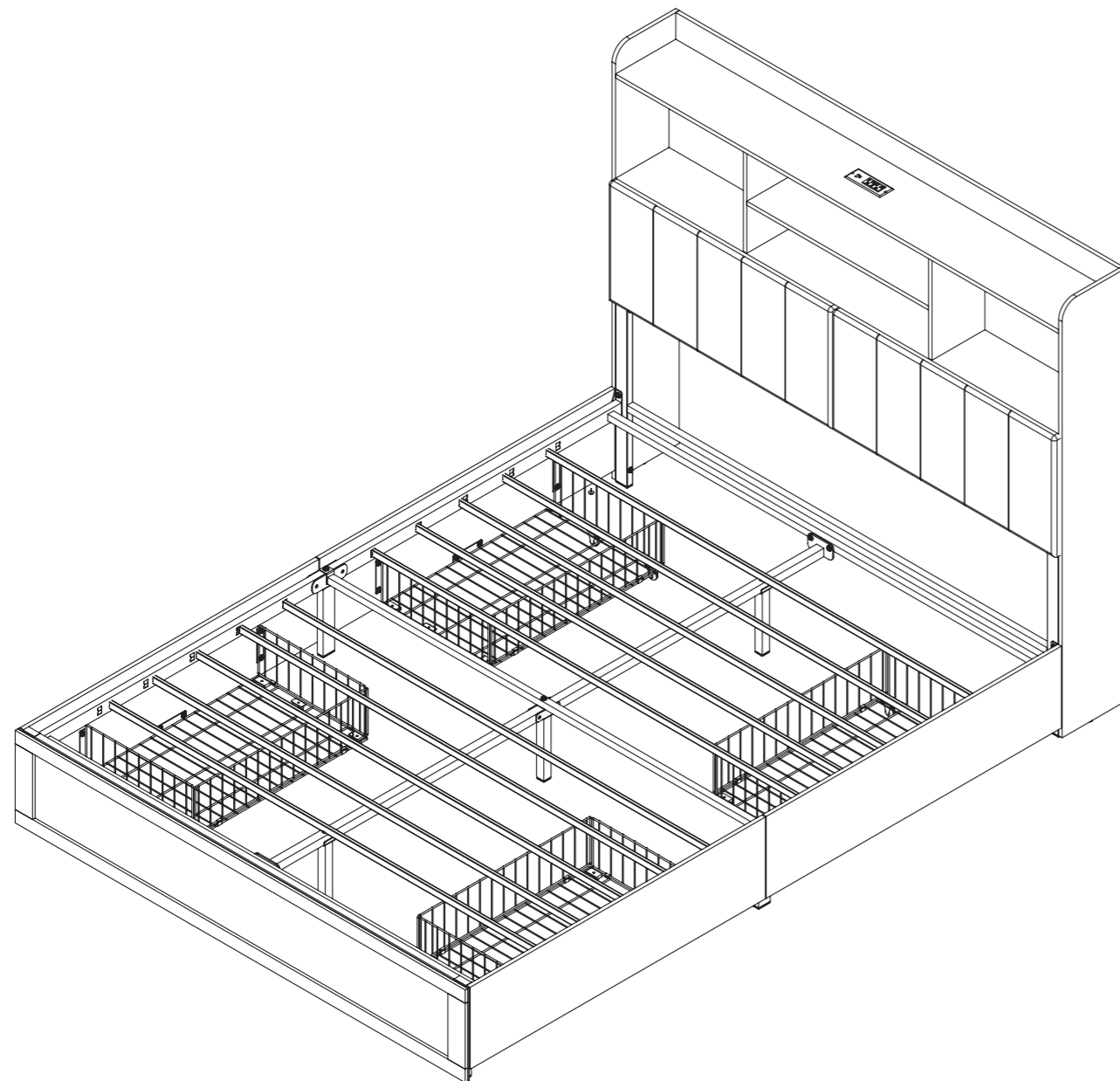


Storage Platform Bed-Q Assembly Instructions



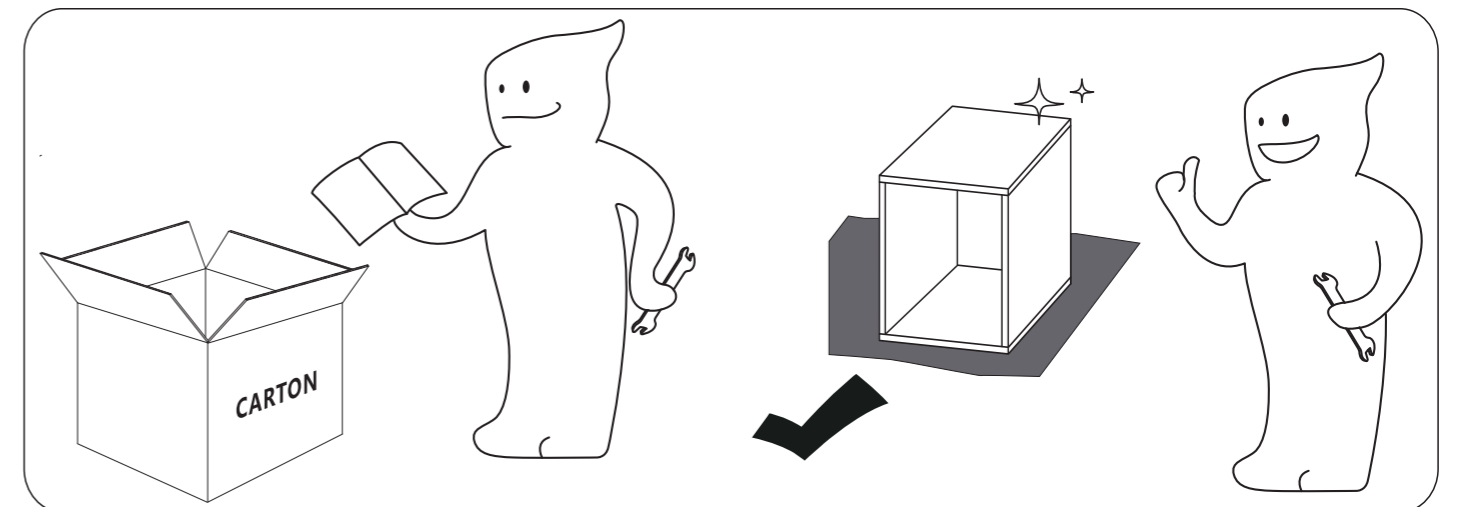
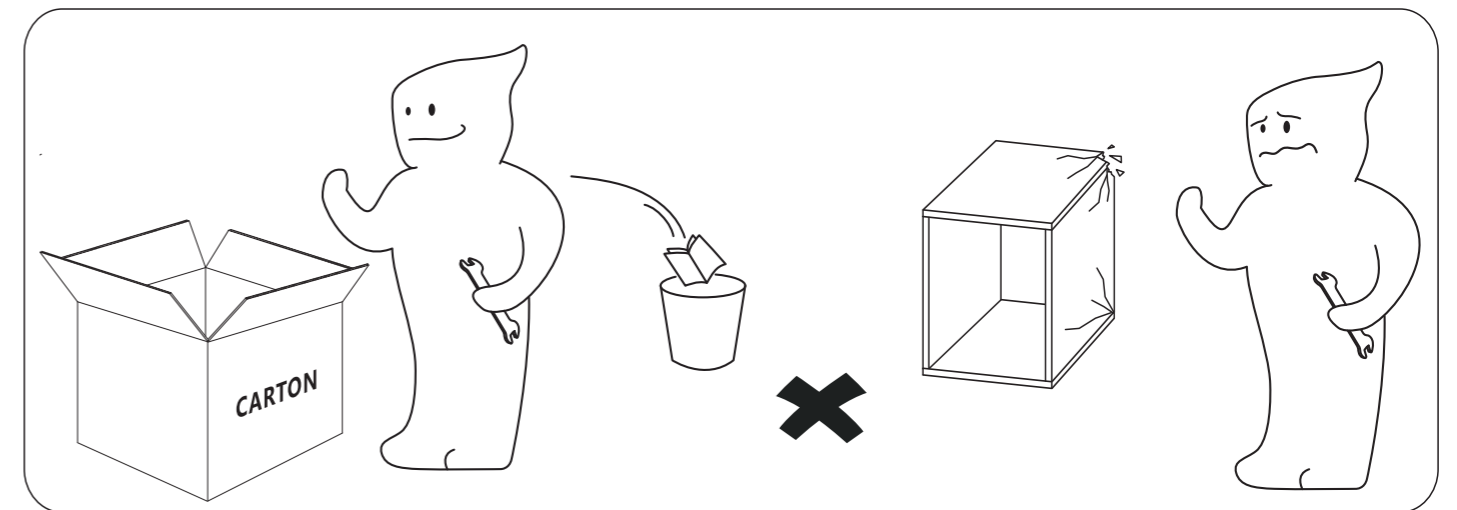
Dear Customers,

Thank you for purchasing our product. Please read this instruction manual carefully after receiving this product. It will help you assemble this product quickly, safely and correctly. You can keep this manual for future reference.

MADE IN CHINA

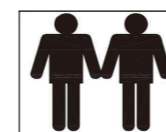


Please follow the instruction manuals and use a pad to protect the product during your assembly.



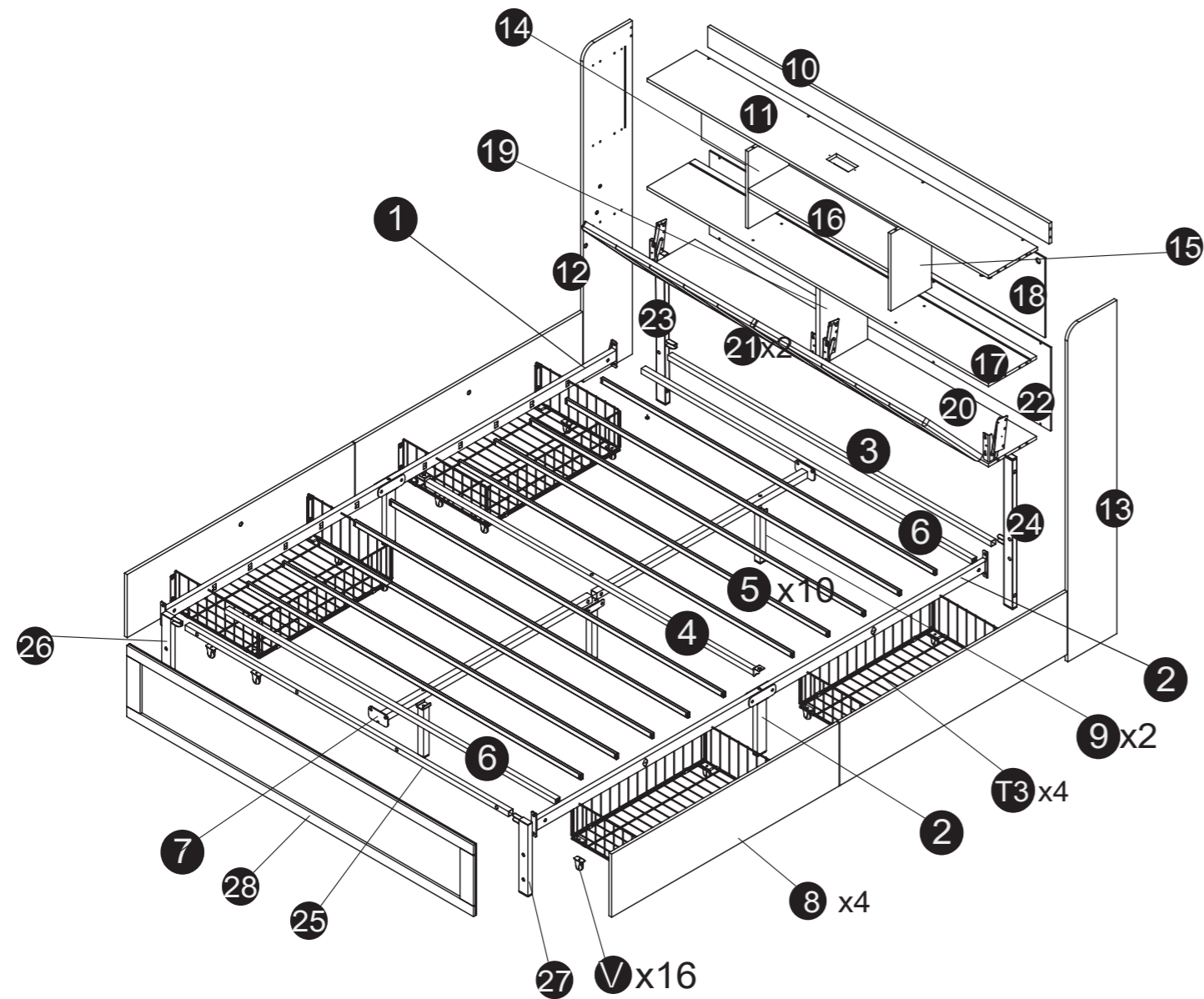
Note:

- 1. Should be assembled on flat ground to keep balance.
- 2. Before completing the installation, do not tighten the screws.



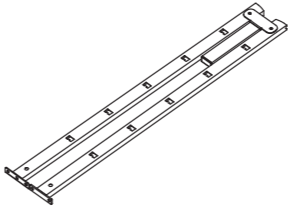
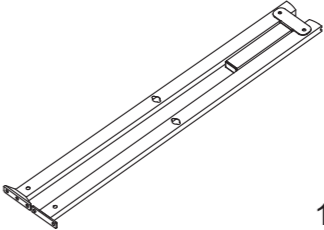
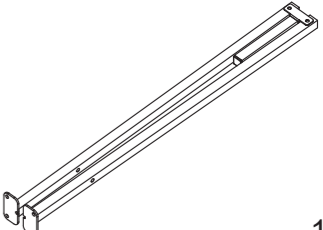
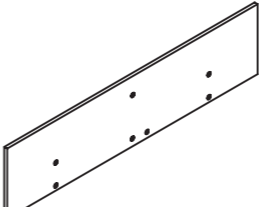
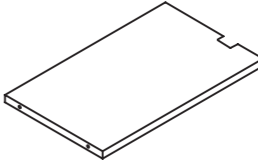
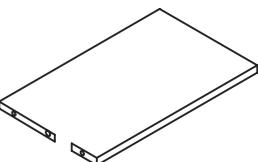
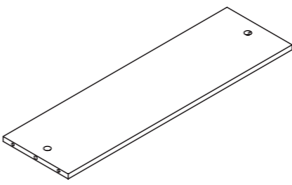


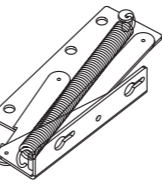
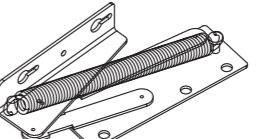
For easier and better assembly, 2 or more adults are required.

ASSEMBLY INSTRUCTIONS



ASSEMBLY INSTRUCTIONS

The box 1

1  1PC	2  1PC	7  1PC
8  4PCS	14  1PC	15  1PC
16  1PC	19  1PC	V  16PCS
J1  2PCS	J2  2PCS	

ASSEMBLY INSTRUCTIONS

The box 2

3 1PC	4 1PC	5 10PCS
6 2PCS	9 2PCS	10 1PC
11 1PC	12 1PC	13 1PC
17 1PC	18 1PC	20 1PC
21 1PC	22 1PC	23 1PC
24 1PC	25 1PC	26 1PC
27 1PC	28 1PC	T3 4PCS

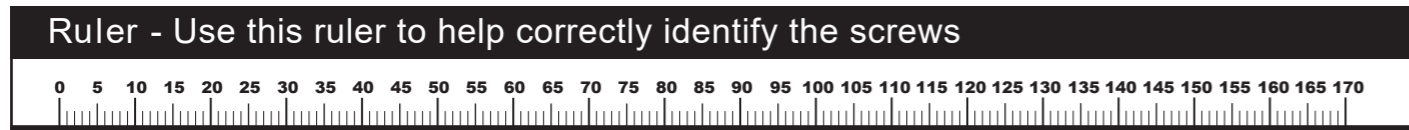
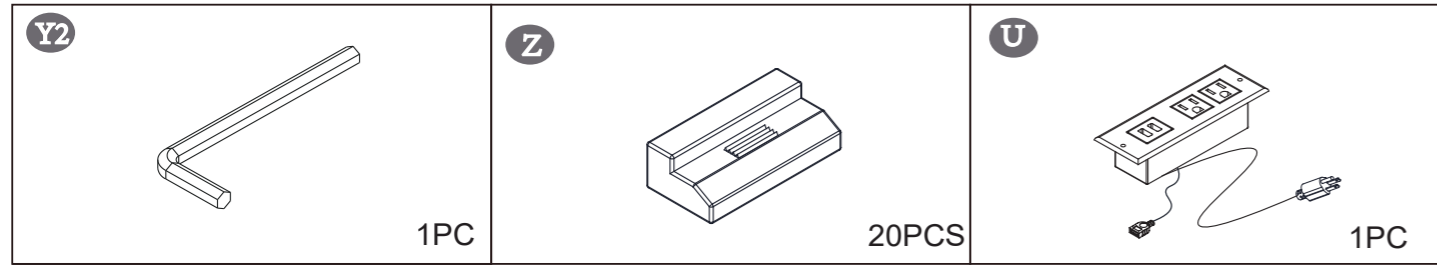
ASSEMBLY INSTRUCTIONS

The box 2 continued

A ST3.2x12 4PCS	B ST4.2x12 2PCS	C M8x12 white zinc 24PCS
D M8x14 Colored Zinc 4PCS	E M8x18 12PCS	F M8x30 12PCS
G M8x40 6PCS	H M8x50 4PCS	I M8x60 3PCS
J M6x10 16PCS	K 1PC	M 8PCS
N 4PCS	O M4x10 16PCS	P M5x30 19PCS
Q φ15x9.5 19PCS	R φ7x40 19PCS	S φ6x40 24PCS
T M4 1PC	W M5 1PC	Y1 M8 1PC

ASSEMBLY INSTRUCTIONS

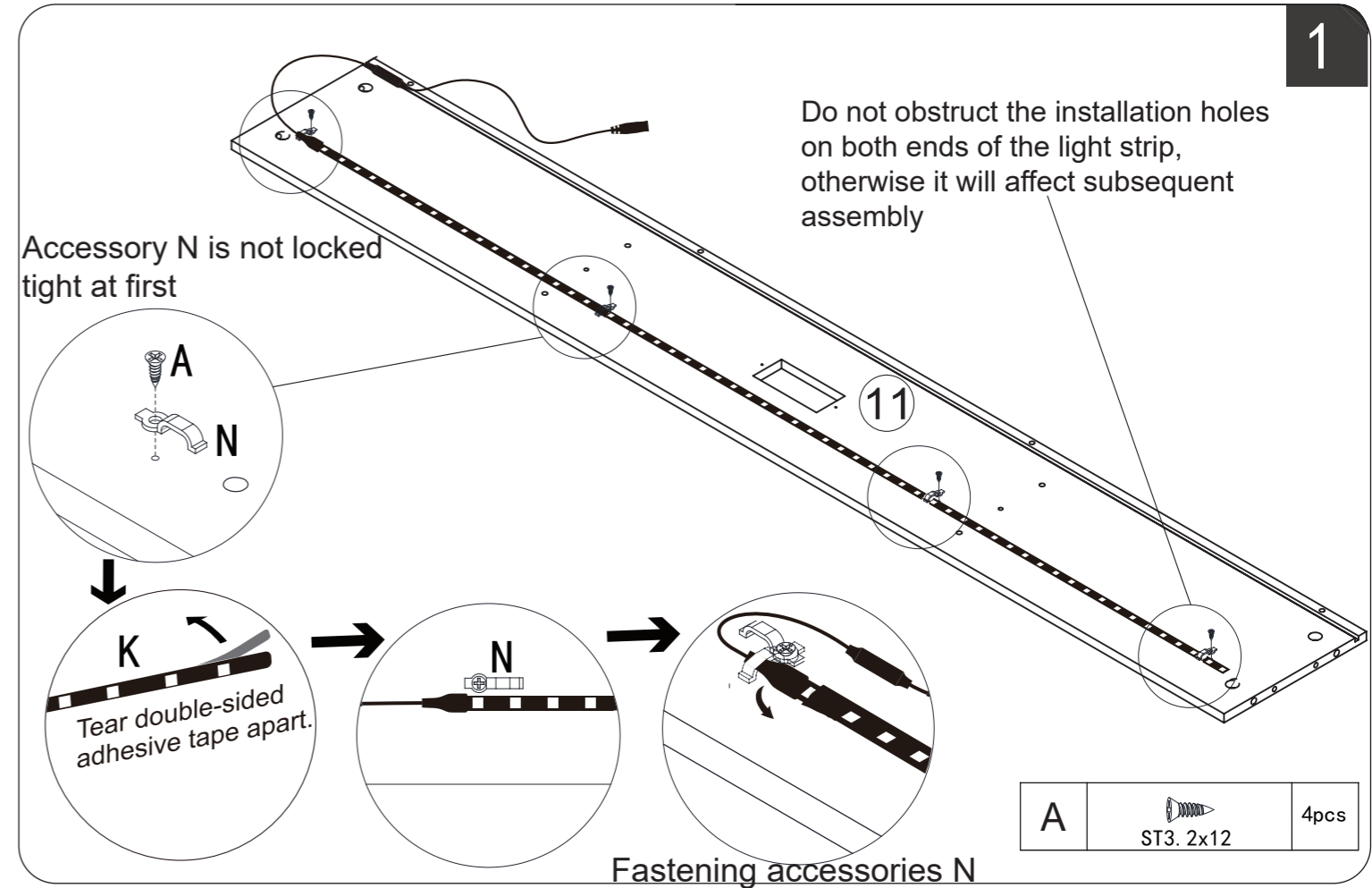
The box 2 continued



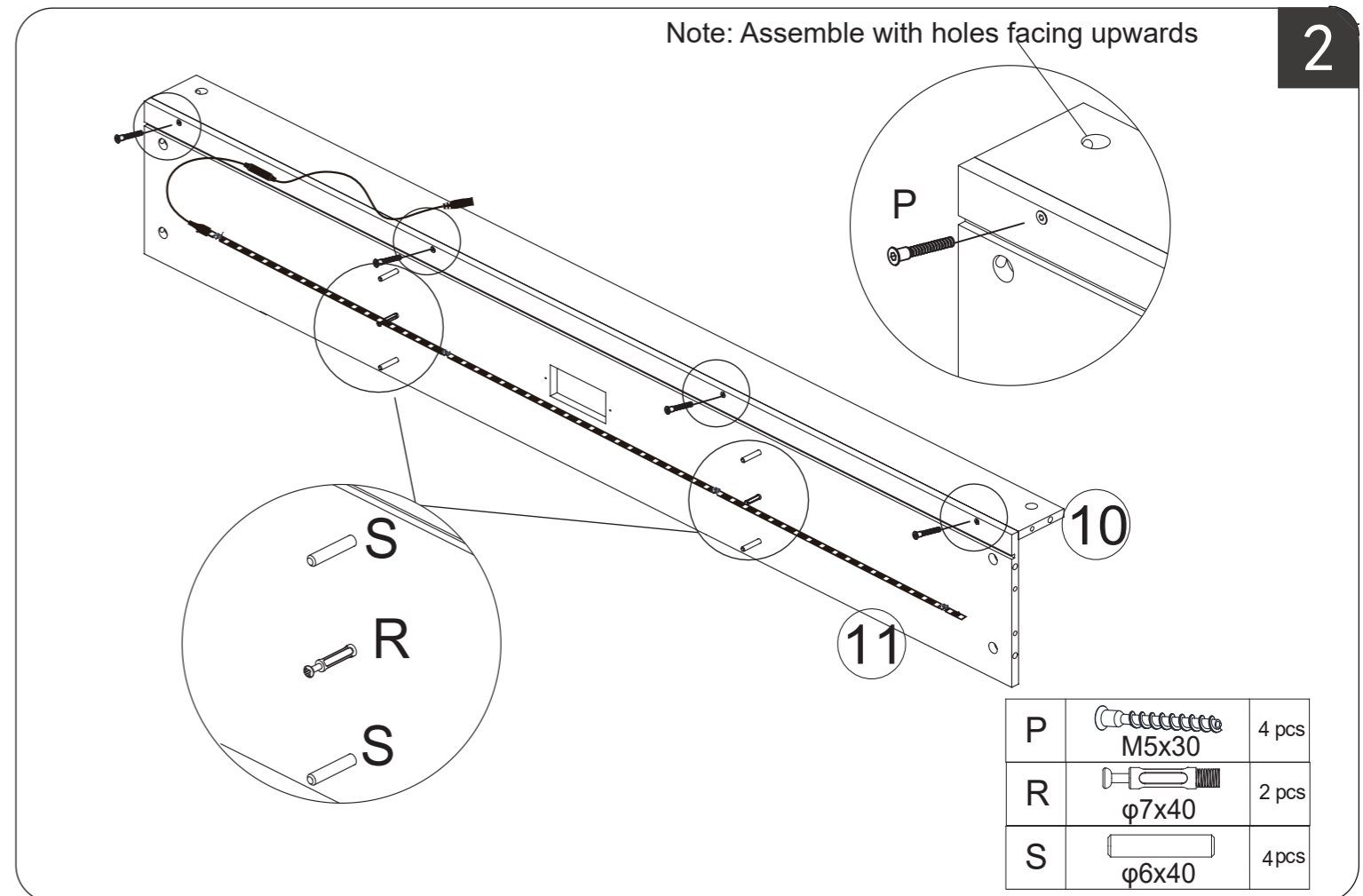
The length of the screw is measured from the rod part excluding the screw cap (30mm screw shown)

Please make sure to check that all screws are tightened after completing the entire installation.

1



2



ASSEMBLY INSTRUCTIONS

3

Make sure the LED strip can pass through the gaps on parts 14 and 15

Q	φ15x9.5	4 pcs
R	φ7x40	2 pcs
S	φ6x40	4 pcs

4

Note: Assemble with holes facing upwards

Note that the grooves here should face each other as shown in the figure

P	M5x30	4 pcs
R	φ7x40	1 pcs
S	φ6x40	2 pcs

ASSEMBLY INSTRUCTIONS

5

Note: Assemble with holes facing upwards

Q	φ15x9.5	1 pcs
---	---------	-------

6

Note: Assemble with holes facing upwards

Note that the direction of the hole on the part 18 as shown in the figure

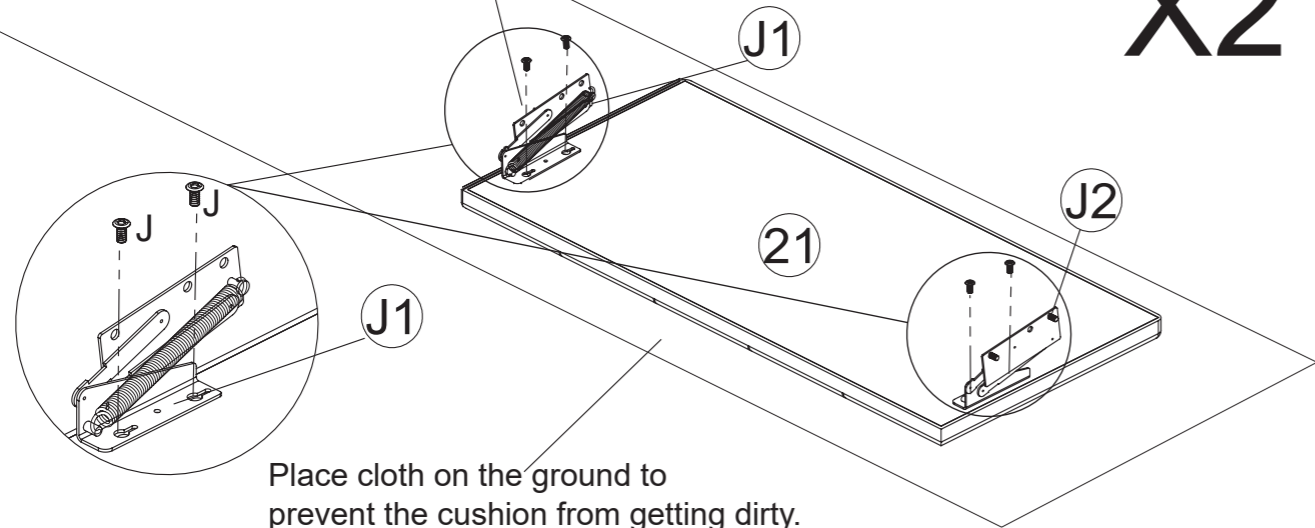
P	M5x30	2 pcs
---	-------	-------

ASSEMBLY INSTRUCTIONS

Do not tighten the screws at first.
And making sure that the spring is assembled properly (as shown on the graph).

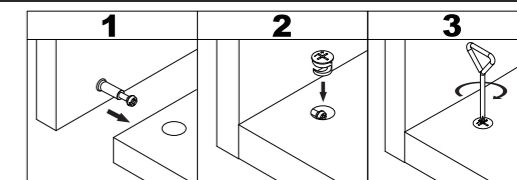
7

X2

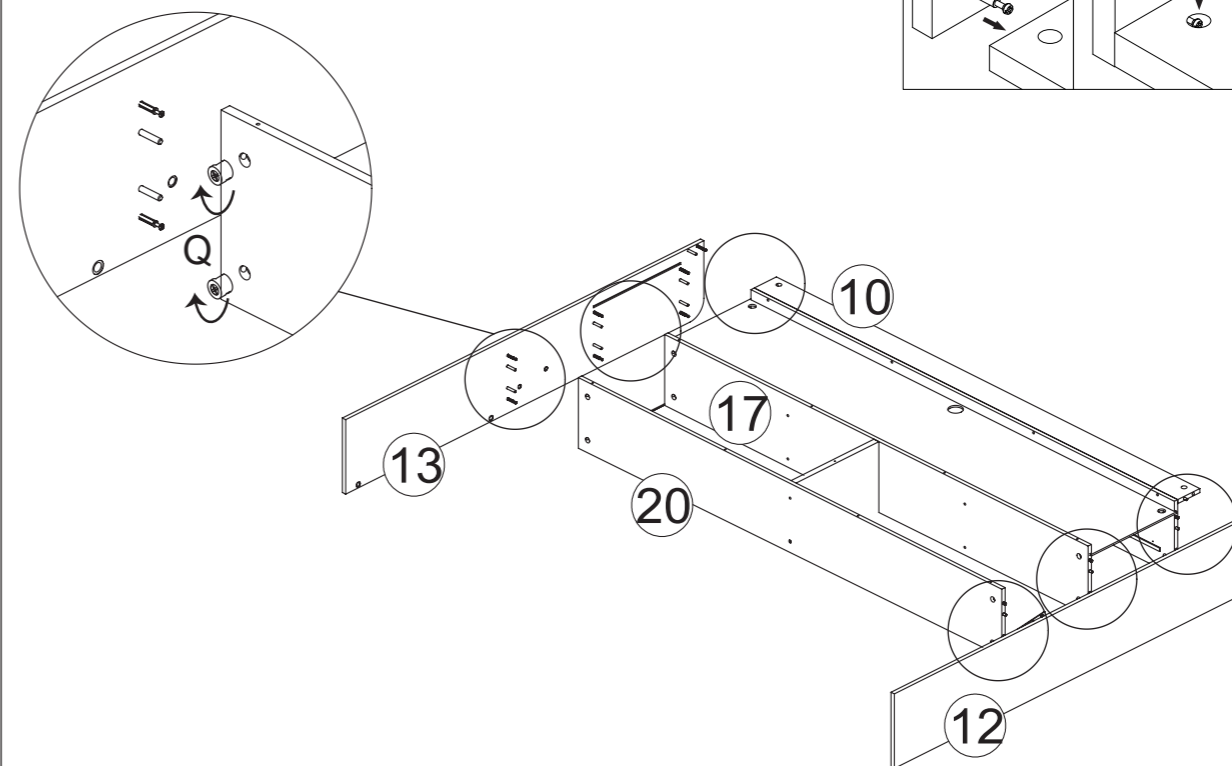


J		M6x10	8PCS
---	--	-------	------

ASSEMBLY INSTRUCTIONS

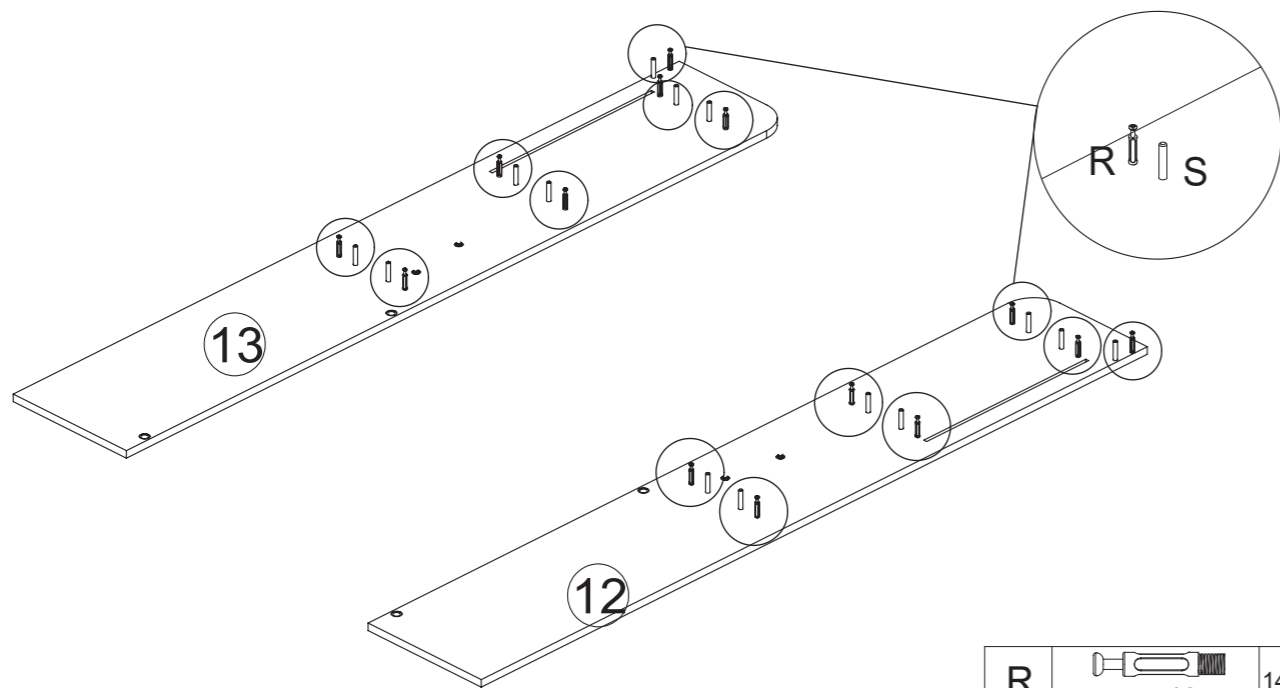


9



Q		φ15x9.5	10pcs
---	--	---------	-------

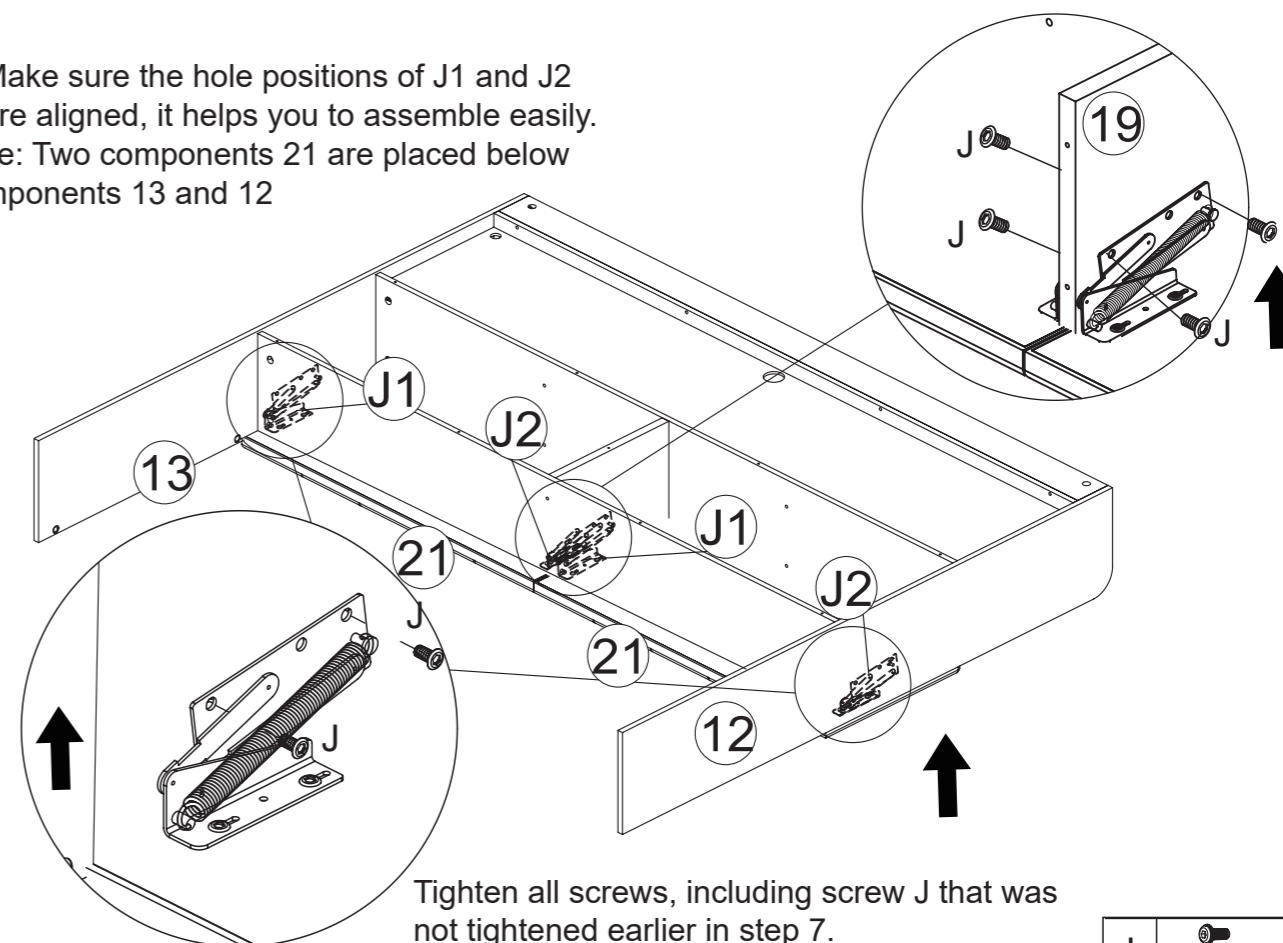
8



R		φ7x40	14pcs
S		φ6x40	14pcs

Make sure the hole positions of J1 and J2 are aligned, it helps you to assemble easily.
Note: Two components 21 are placed below components 13 and 12

10

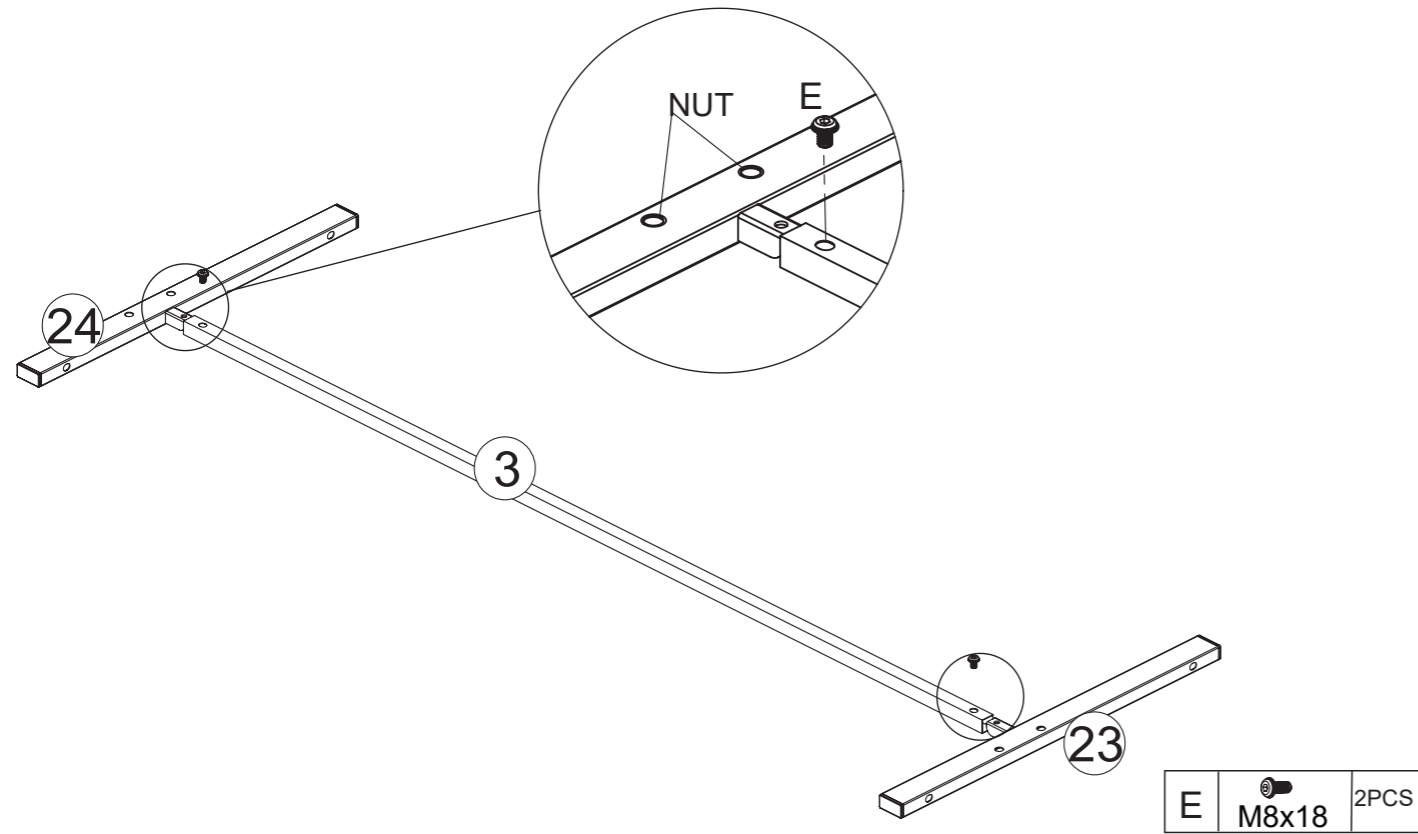


Tighten all screws, including screw J that was not tightened earlier in step 7.

J		M6x10	8PCS
---	--	-------	------

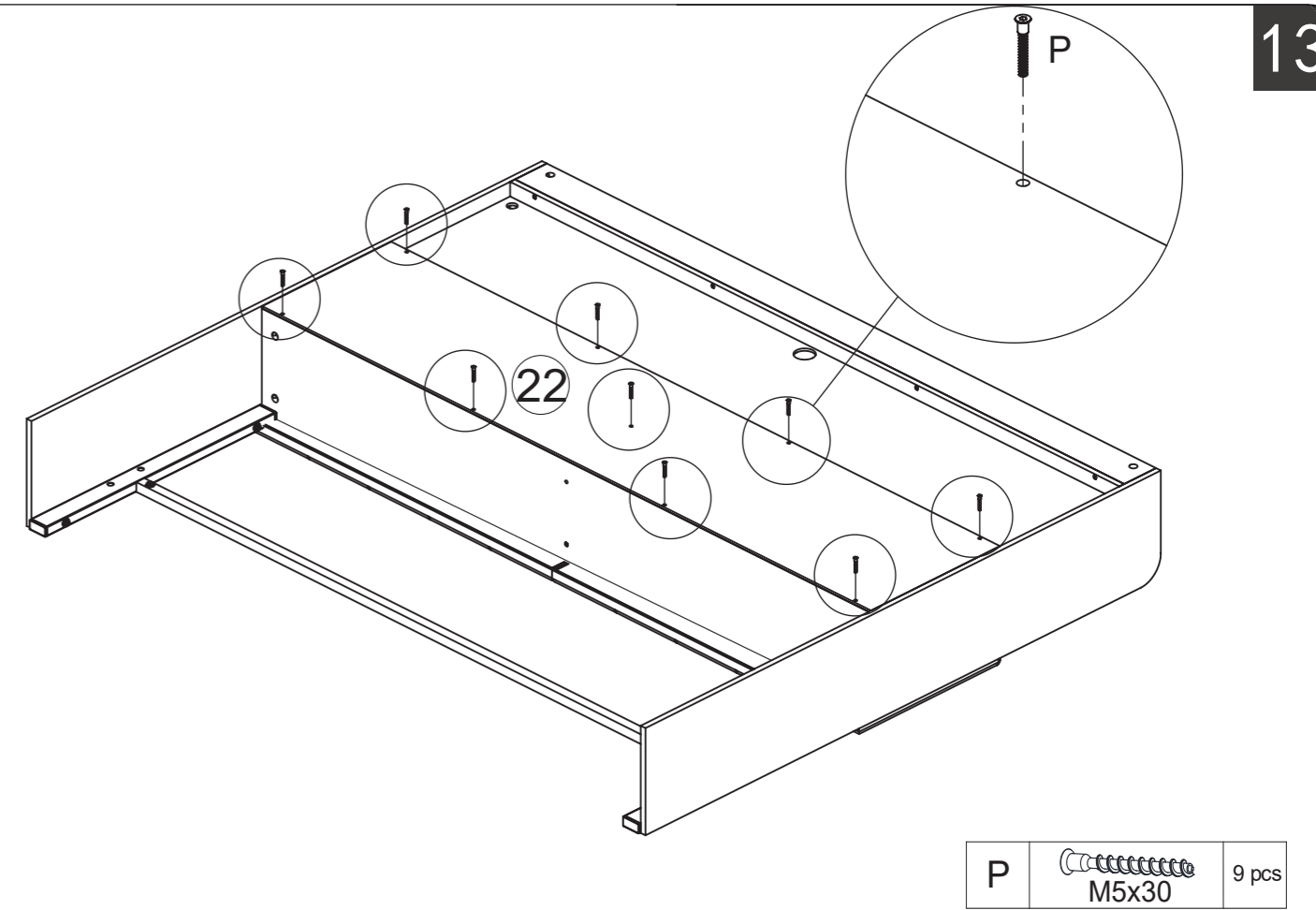
ASSEMBLY INSTRUCTIONS

11

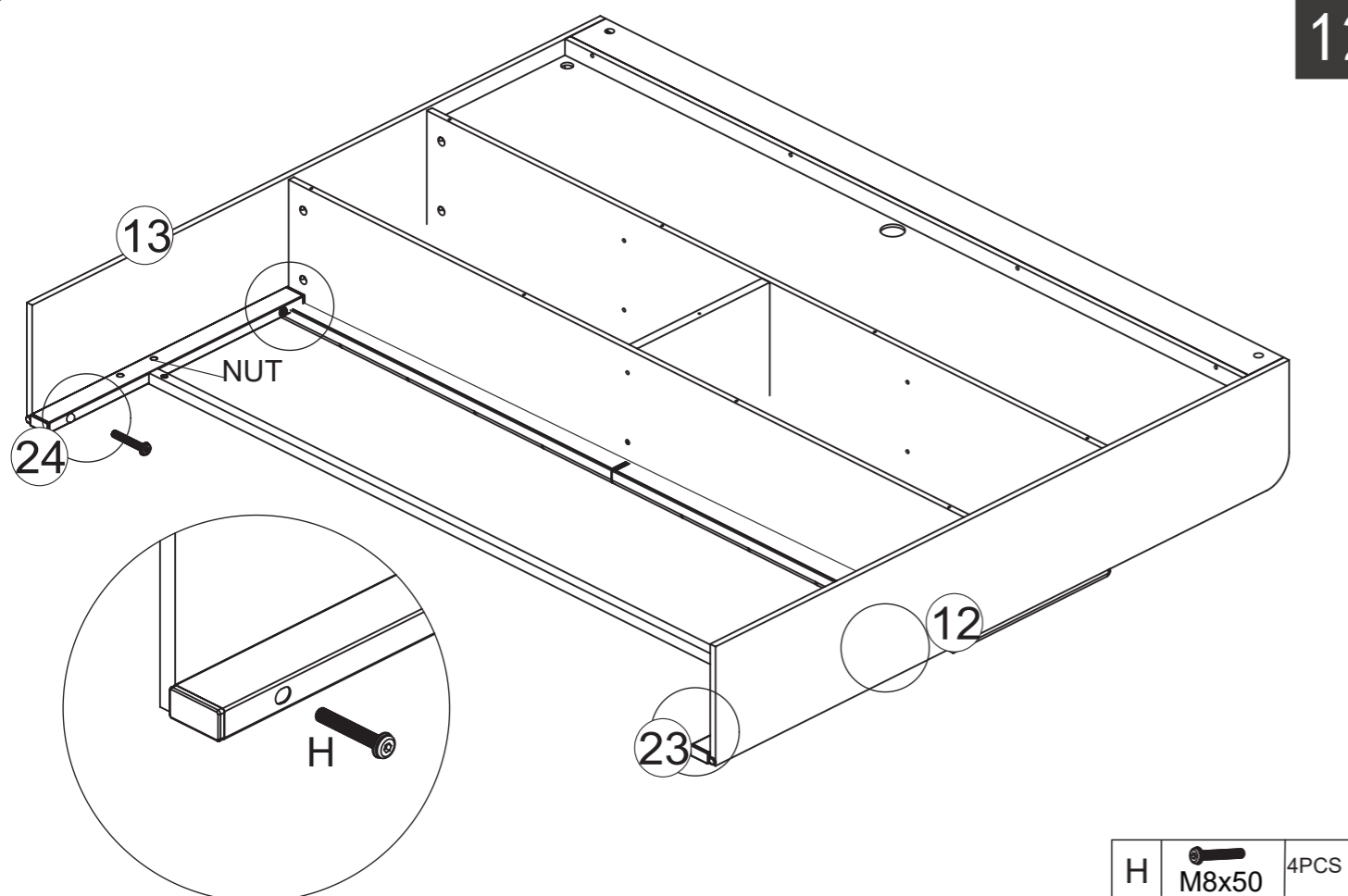


ASSEMBLY INSTRUCTIONS

13

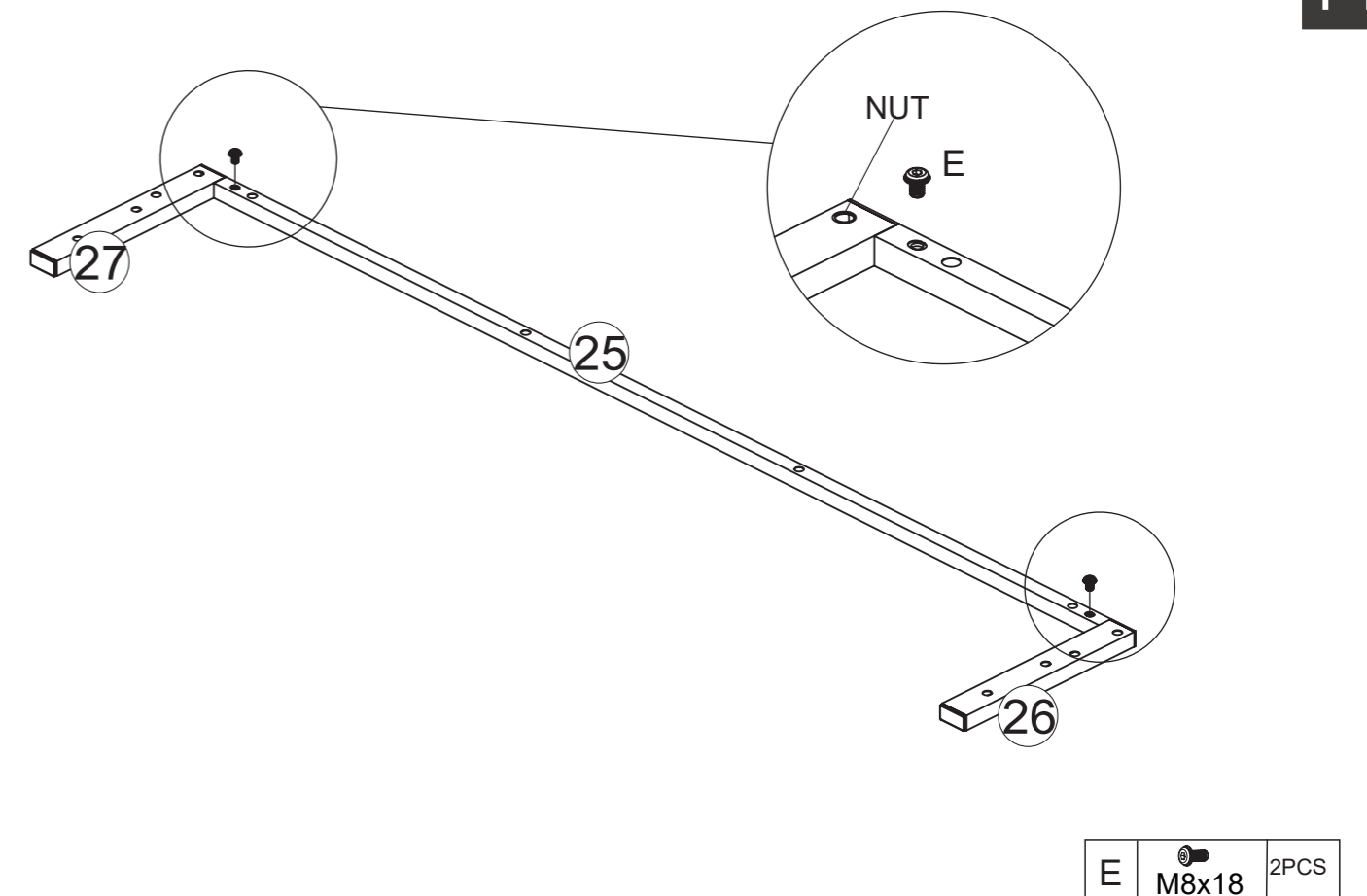


12



12/21

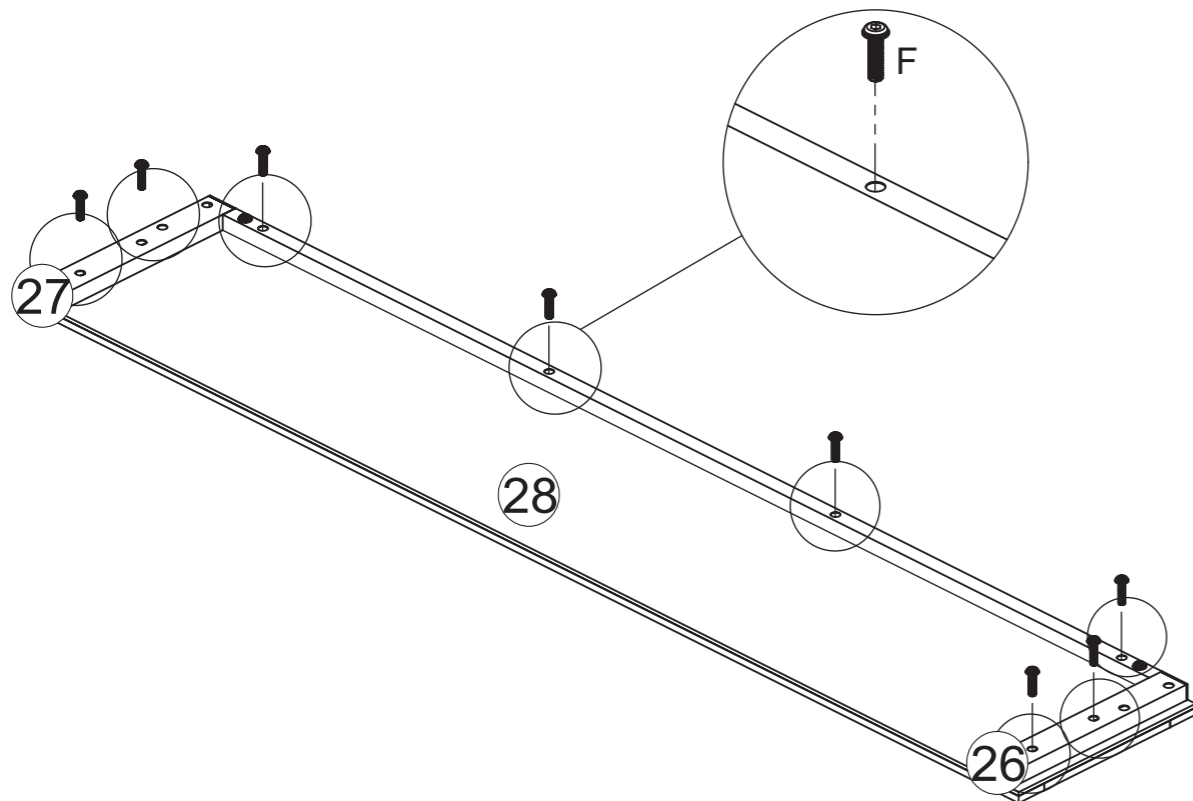
14



13/21

ASSEMBLY INSTRUCTIONS

15

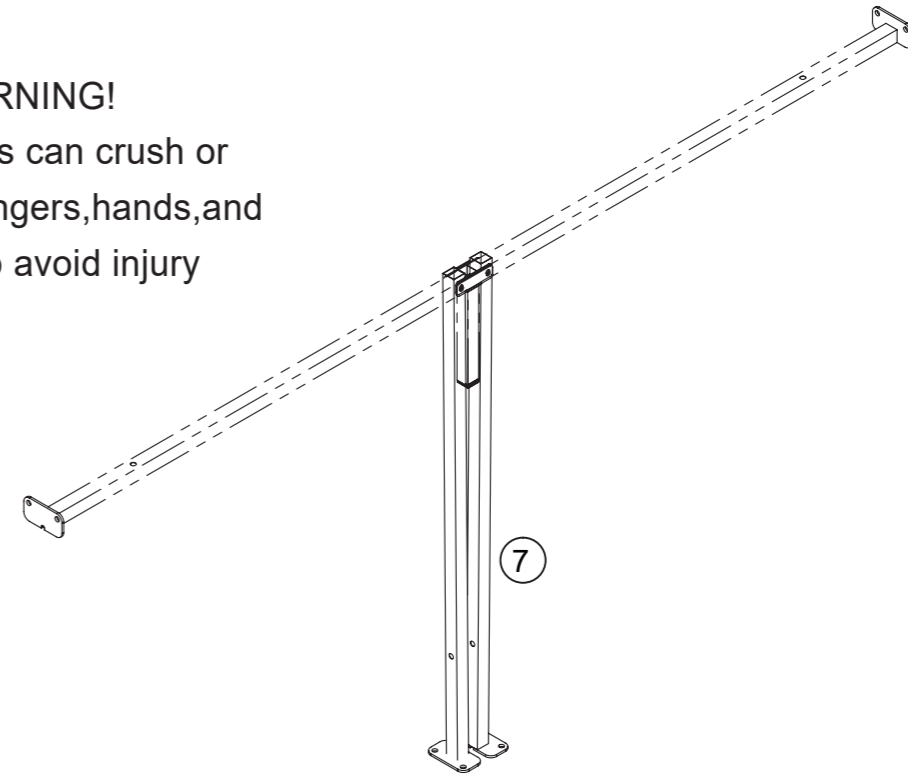


F M8x30 8PCS

ASSEMBLY INSTRUCTIONS

17

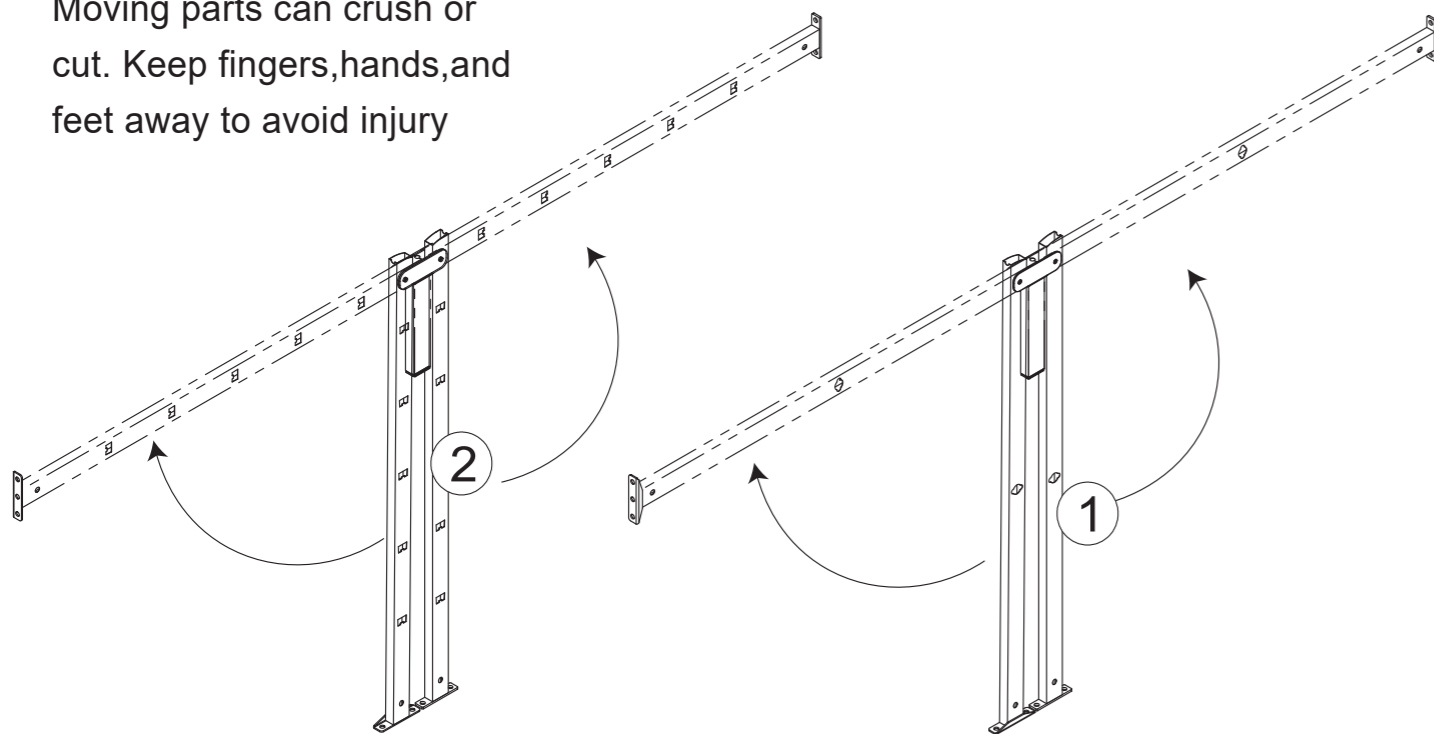
WARNING!
Moving parts can crush or cut. Keep fingers, hands, and feet away to avoid injury



WARNING!

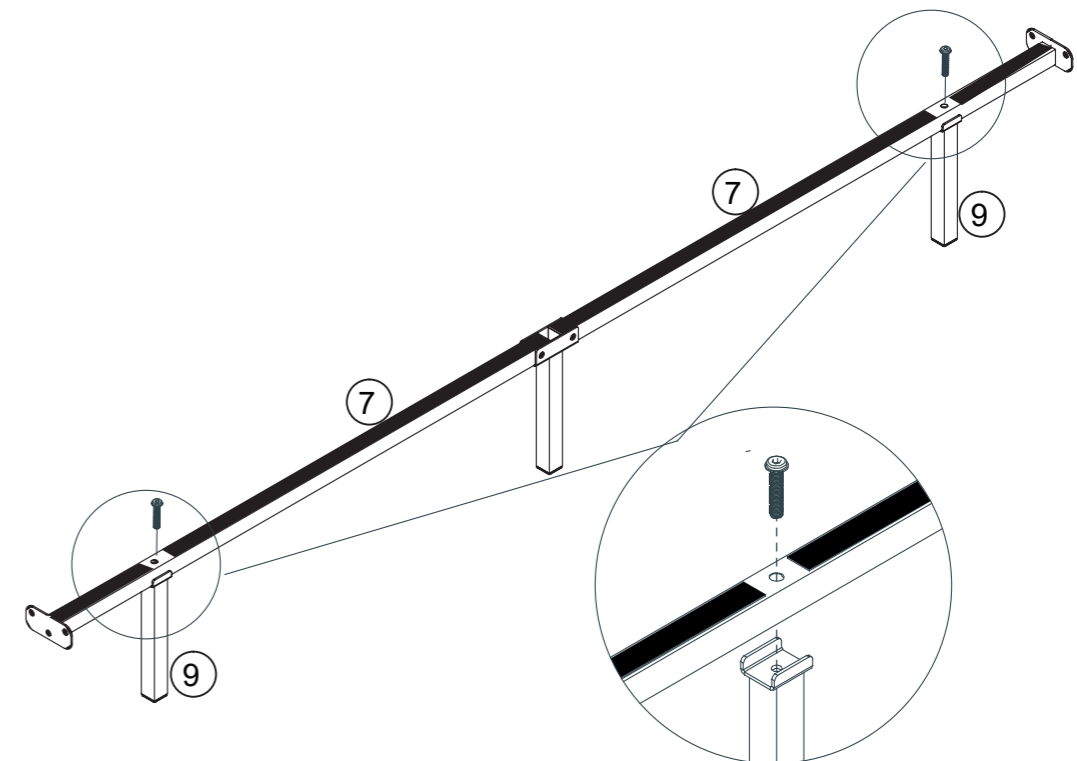
Moving parts can crush or cut. Keep fingers, hands, and feet away to avoid injury

16



14/21

18

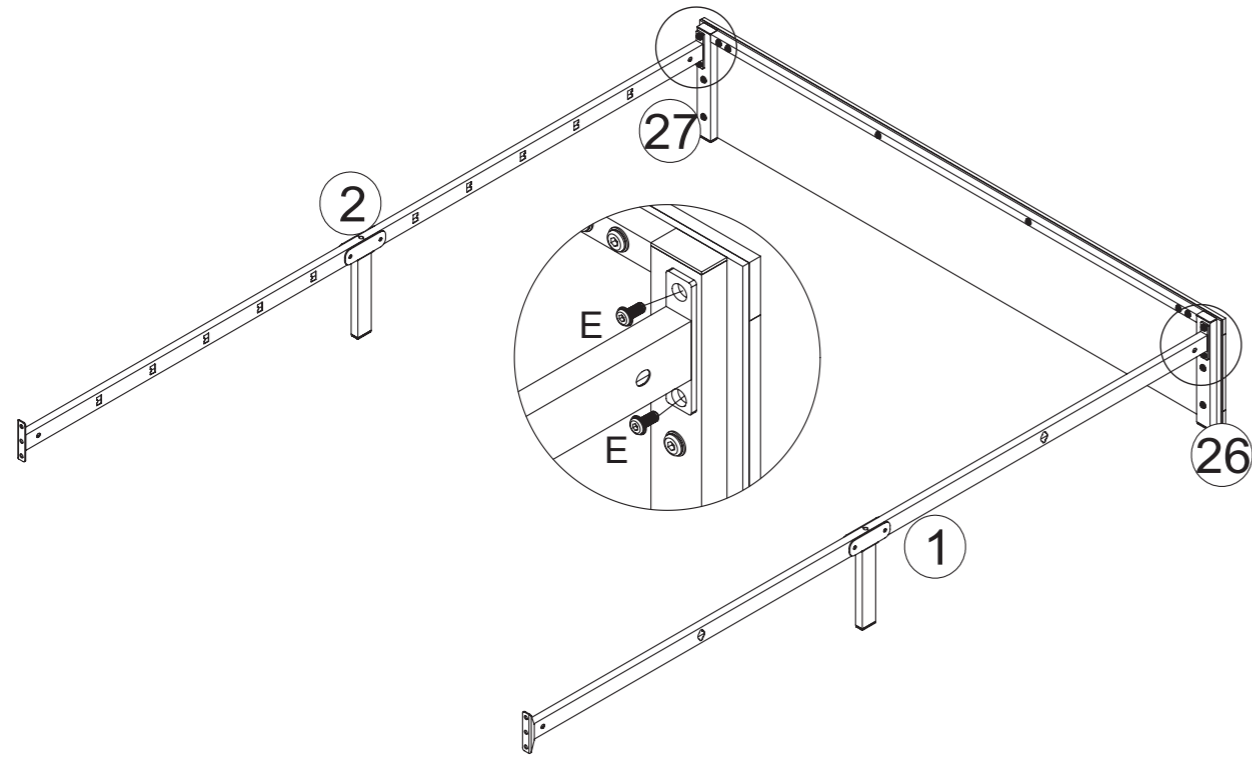


G M8x40 2PCS

15/21

ASSEMBLY INSTRUCTIONS

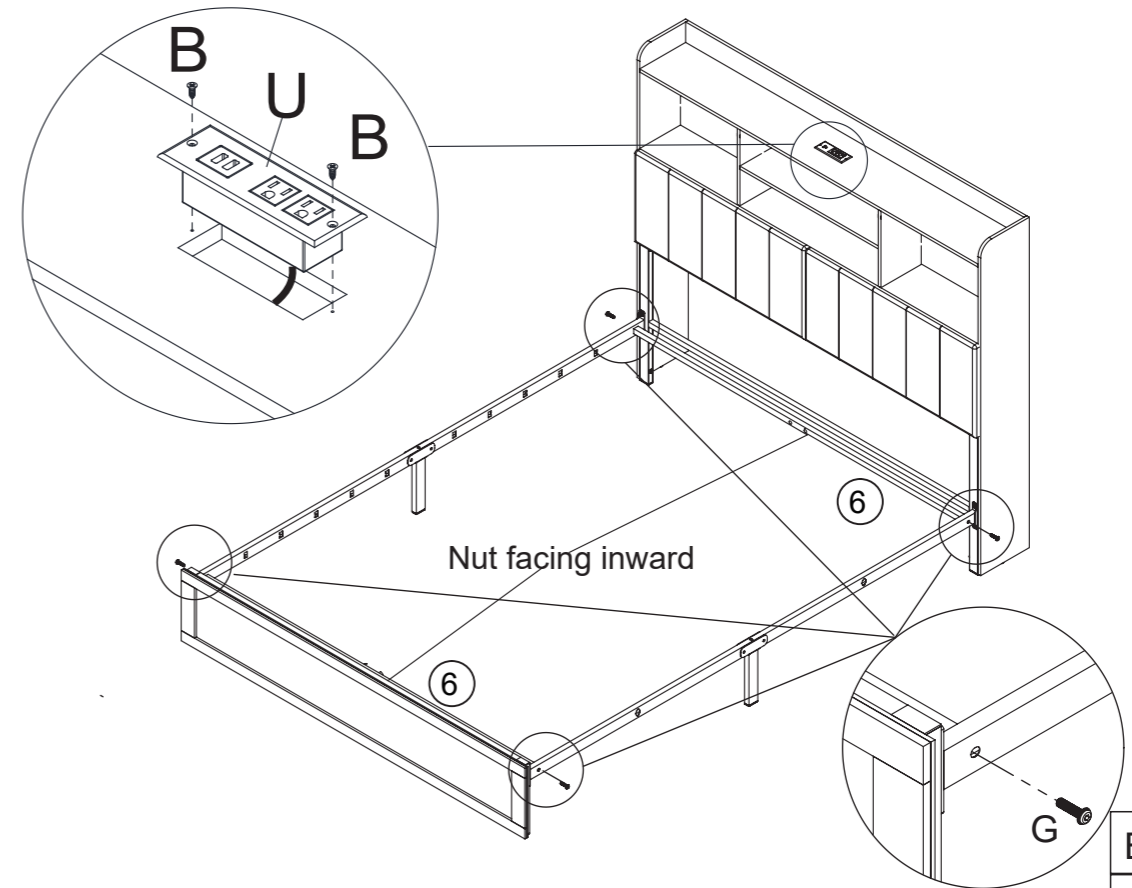
19



E		M8x18	4PCS
---	--	-------	------

ASSEMBLY INSTRUCTIONS

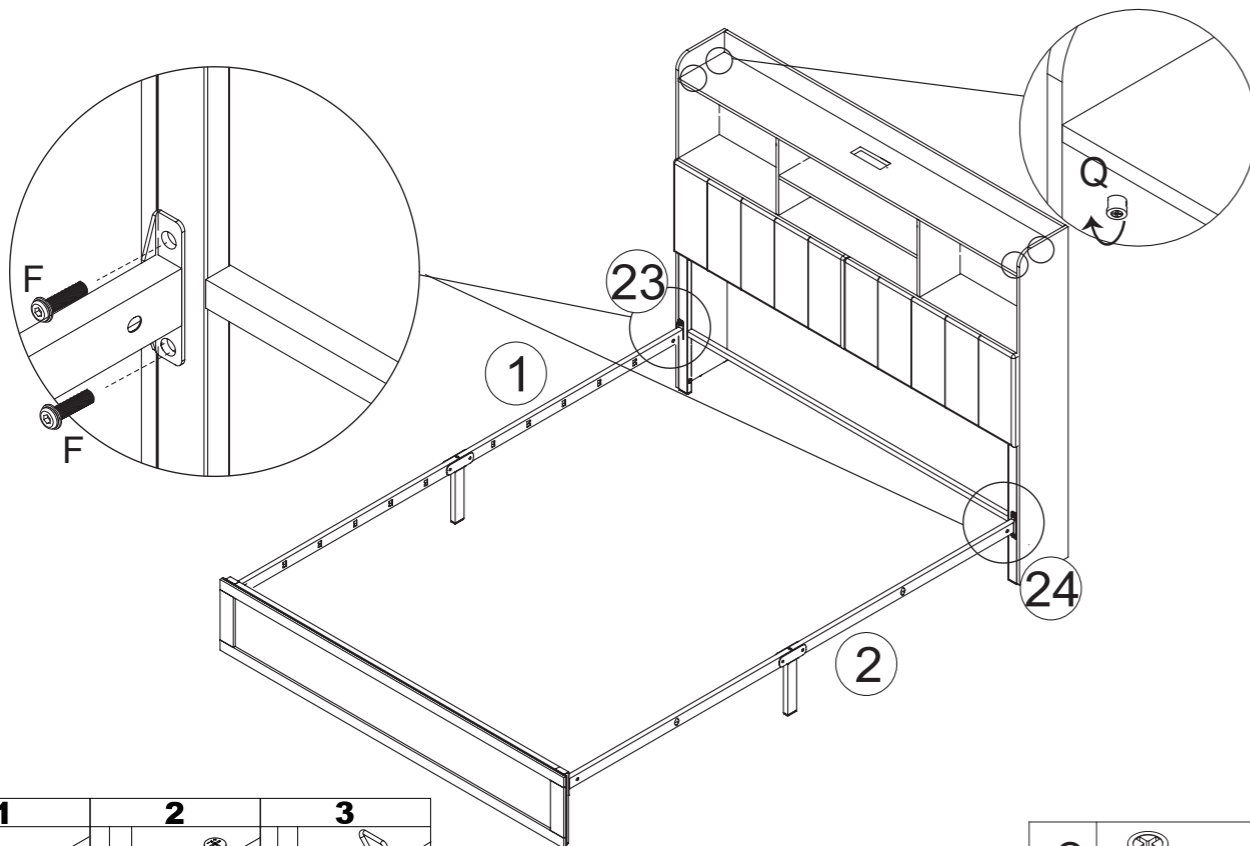
21





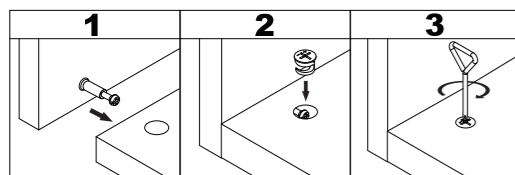
Note that the screws in this step can be locked properly!

B		ST4.2X12	2PCS
G		M8x40	4PCS

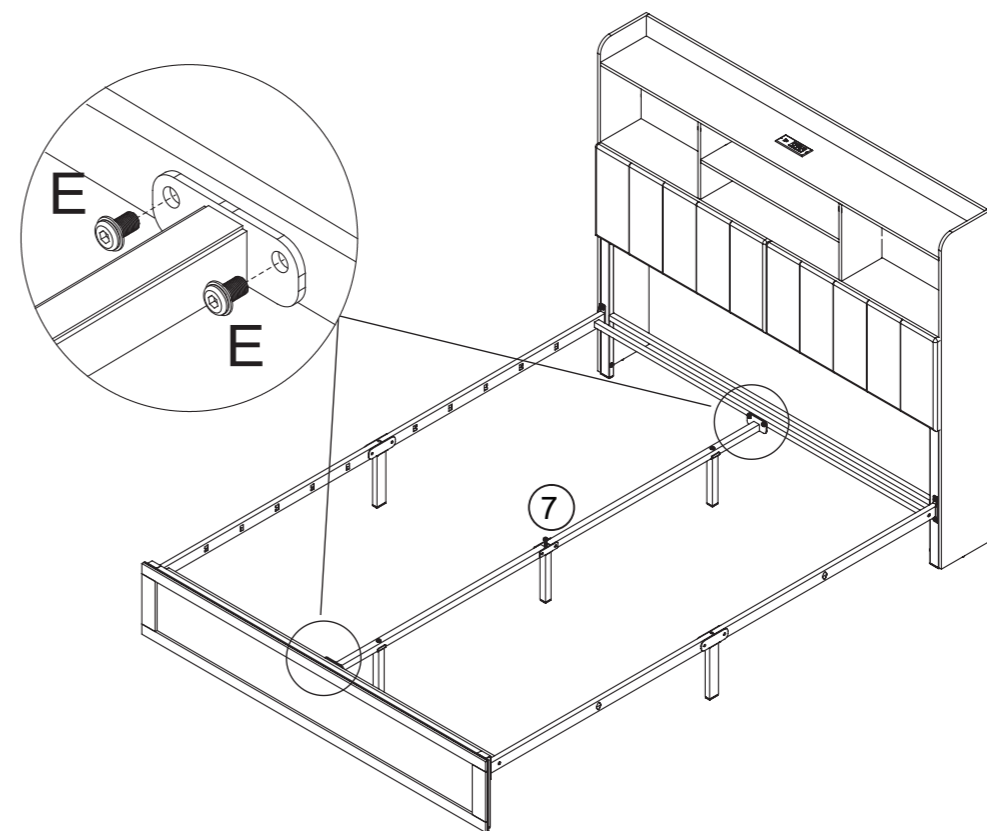
20



Q		φ15x9.5	4 pcs
F		M8x30	4PCS



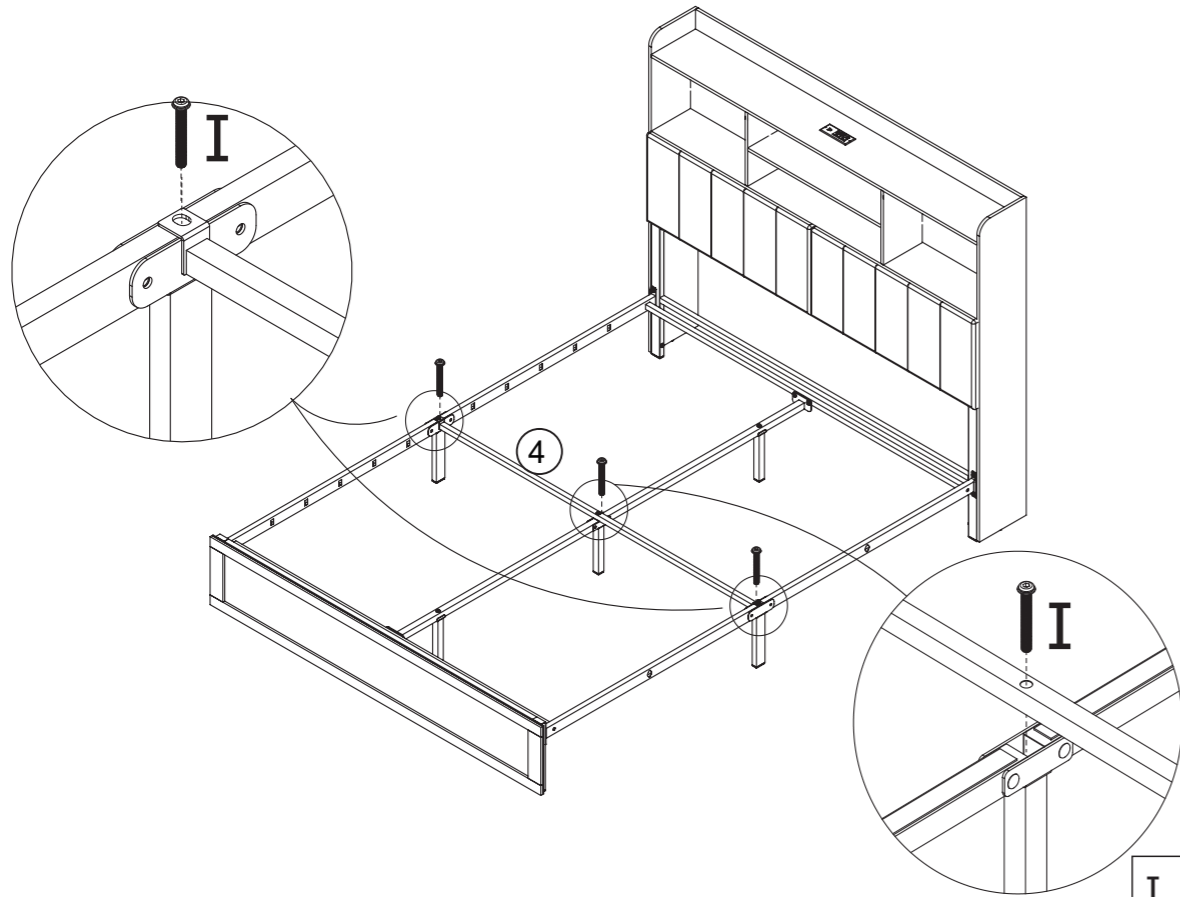
22



E		M8x18	4PCS
---	---	-------	------

ASSEMBLY INSTRUCTIONS

23

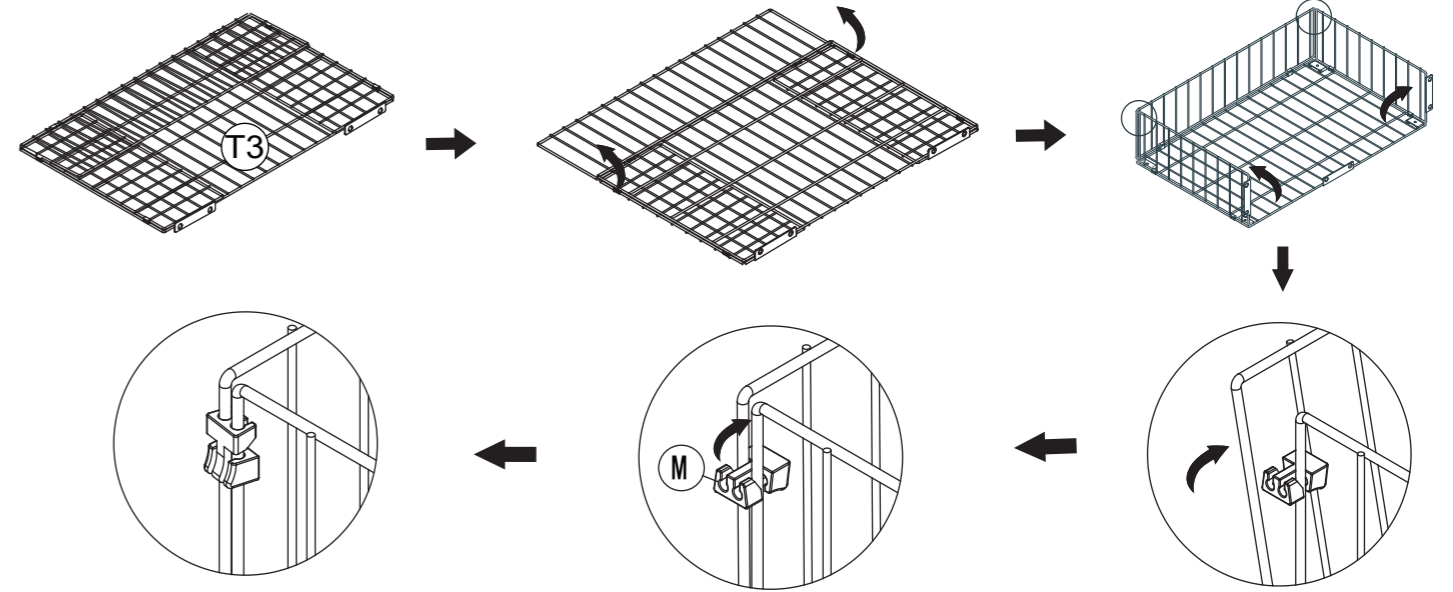


I M8x60 3PCS

ASSEMBLY INSTRUCTIONS

X4 25

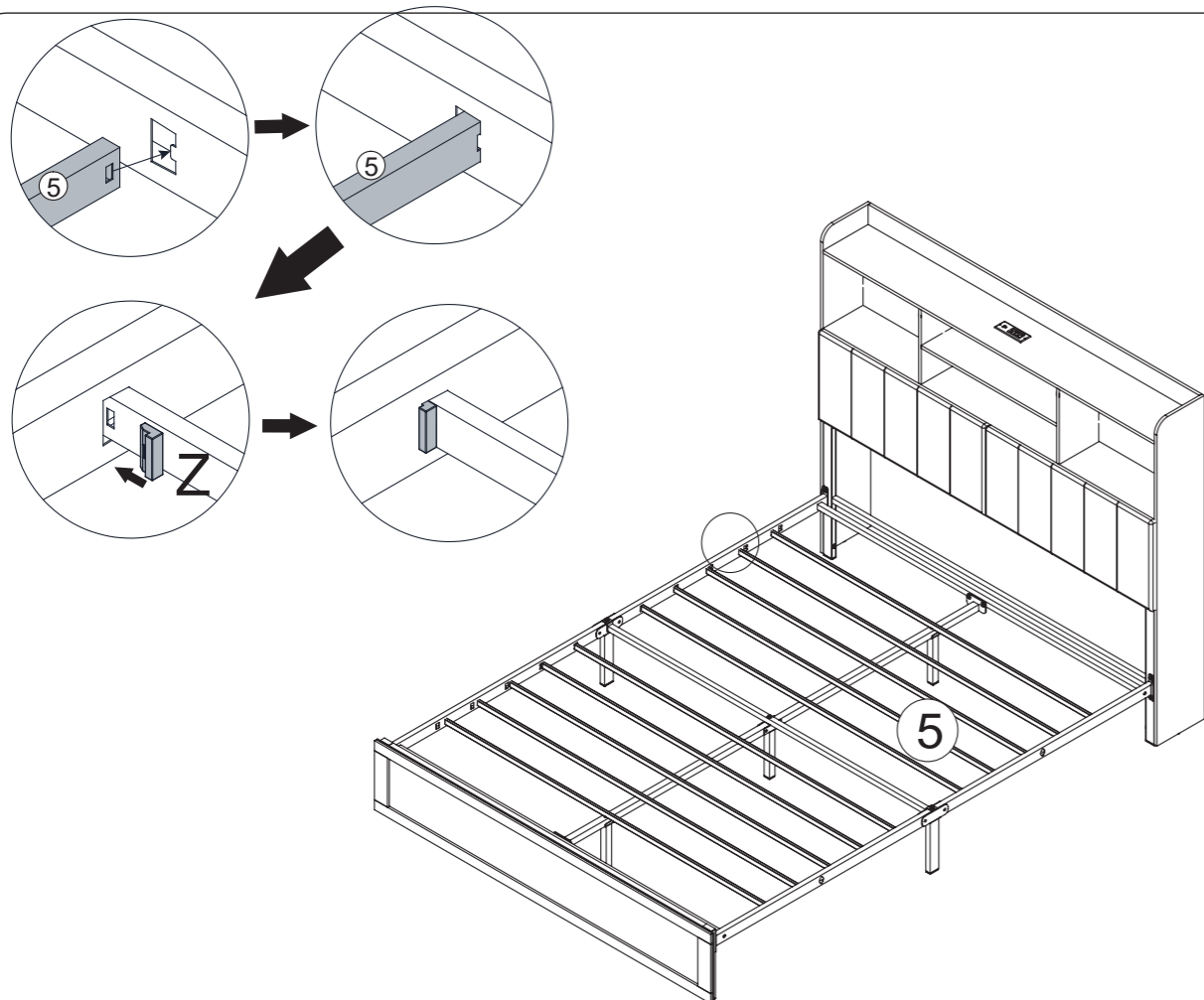
Open the metal frame



rotates part M at 90 degrees and lock the metal frame as shown on the graph

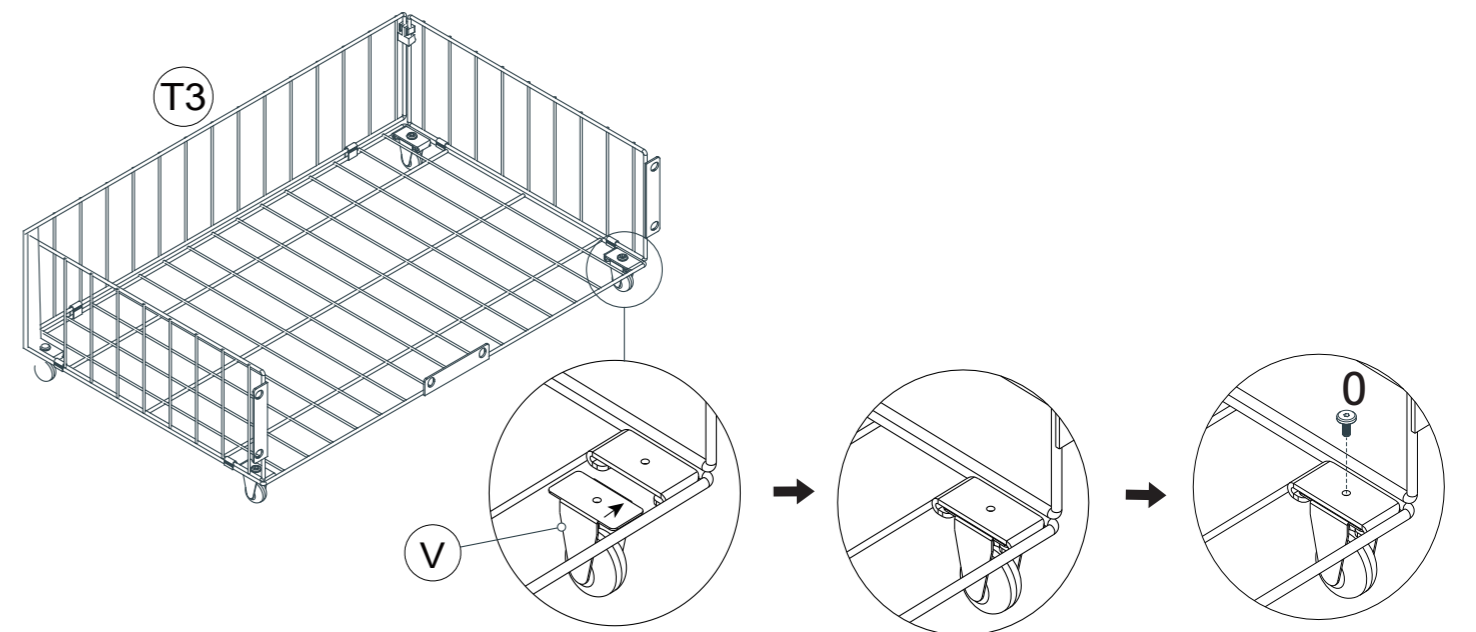
M 8PCS

24



18/21

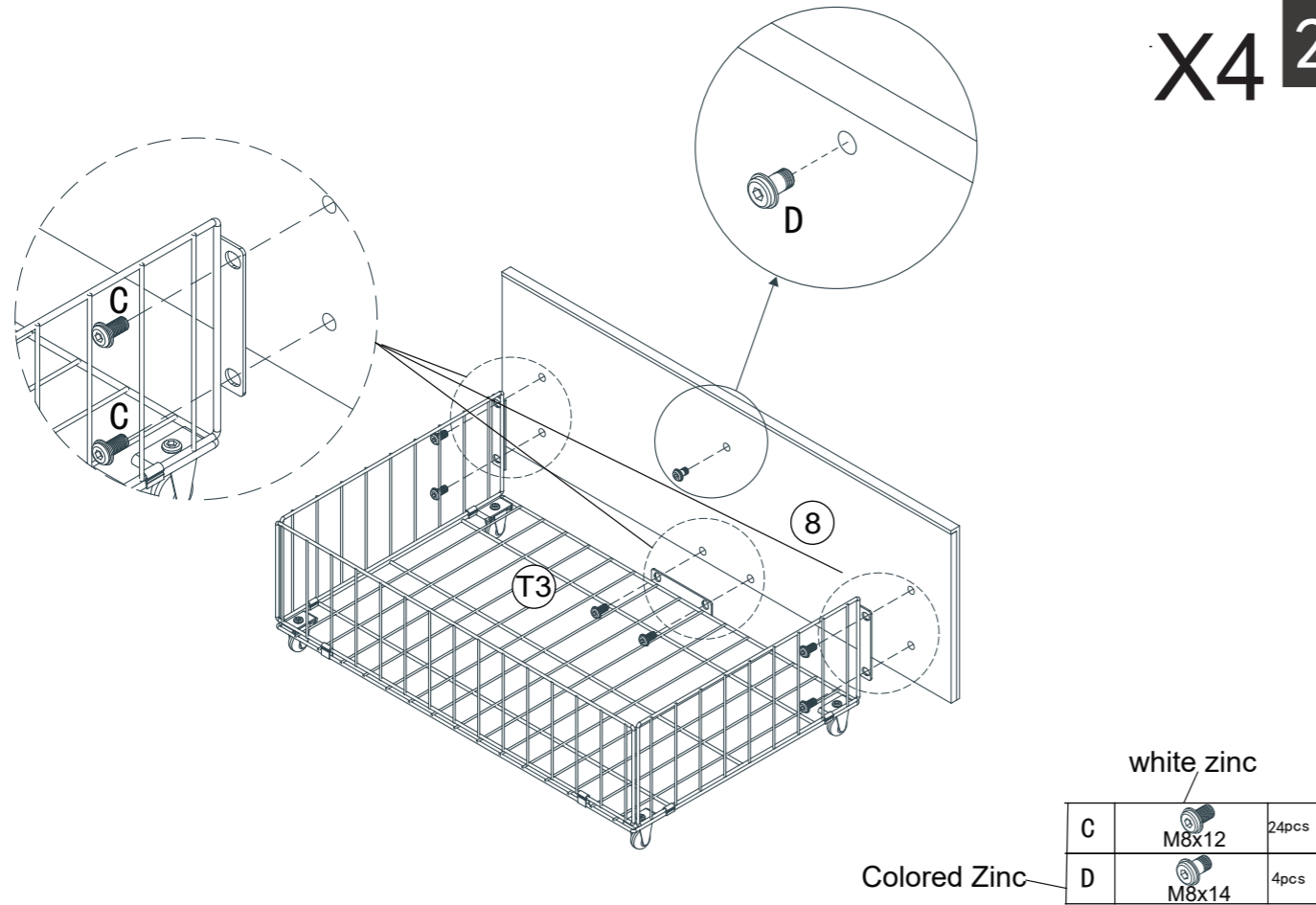
X4 26



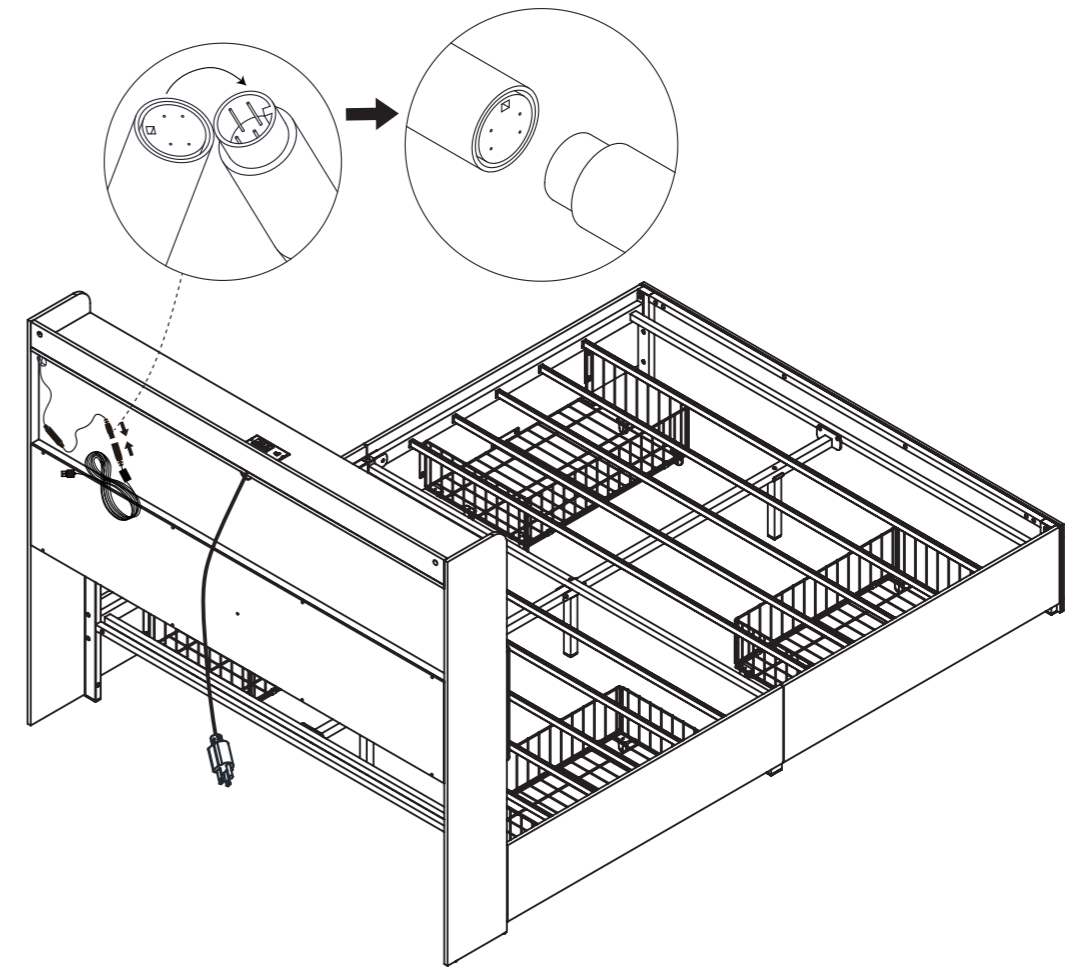
O M4x10 16PCS

19/21

X4 27

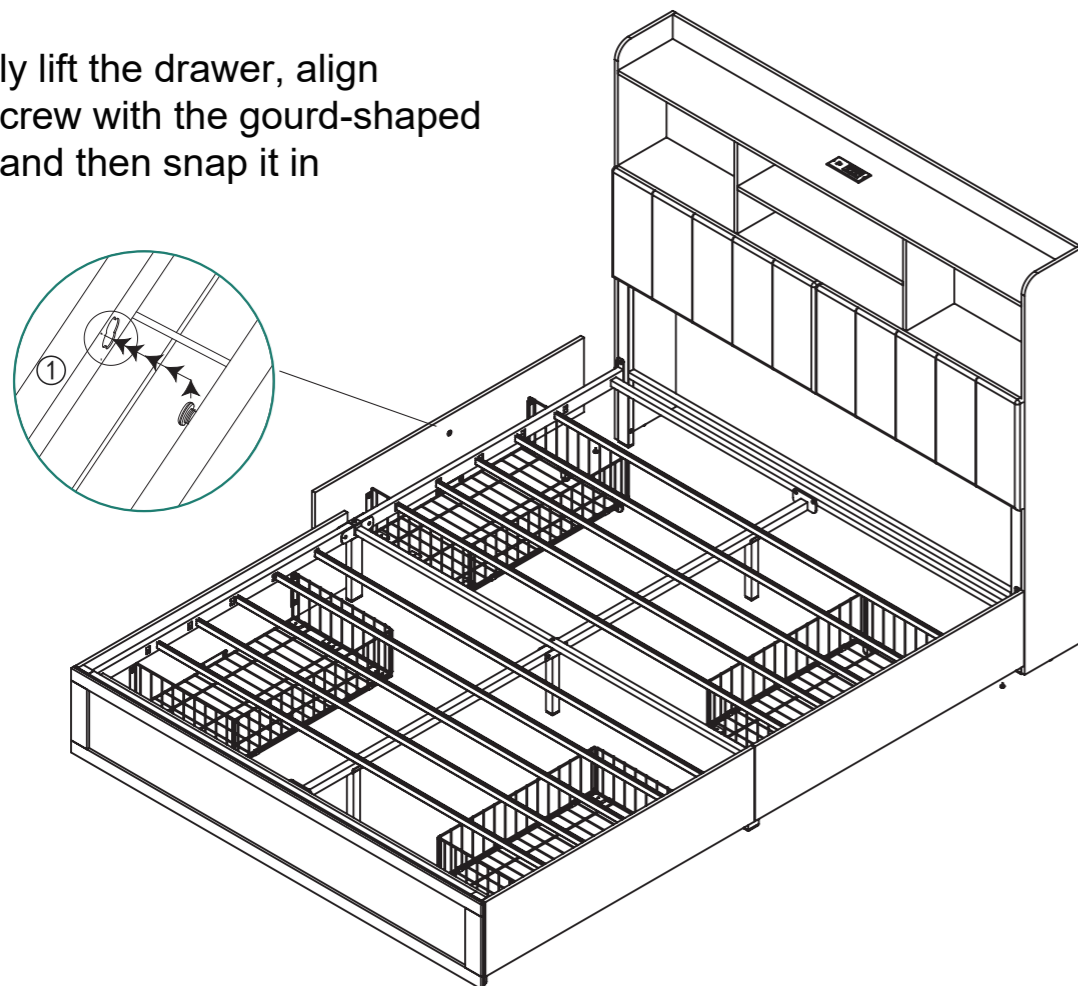


29

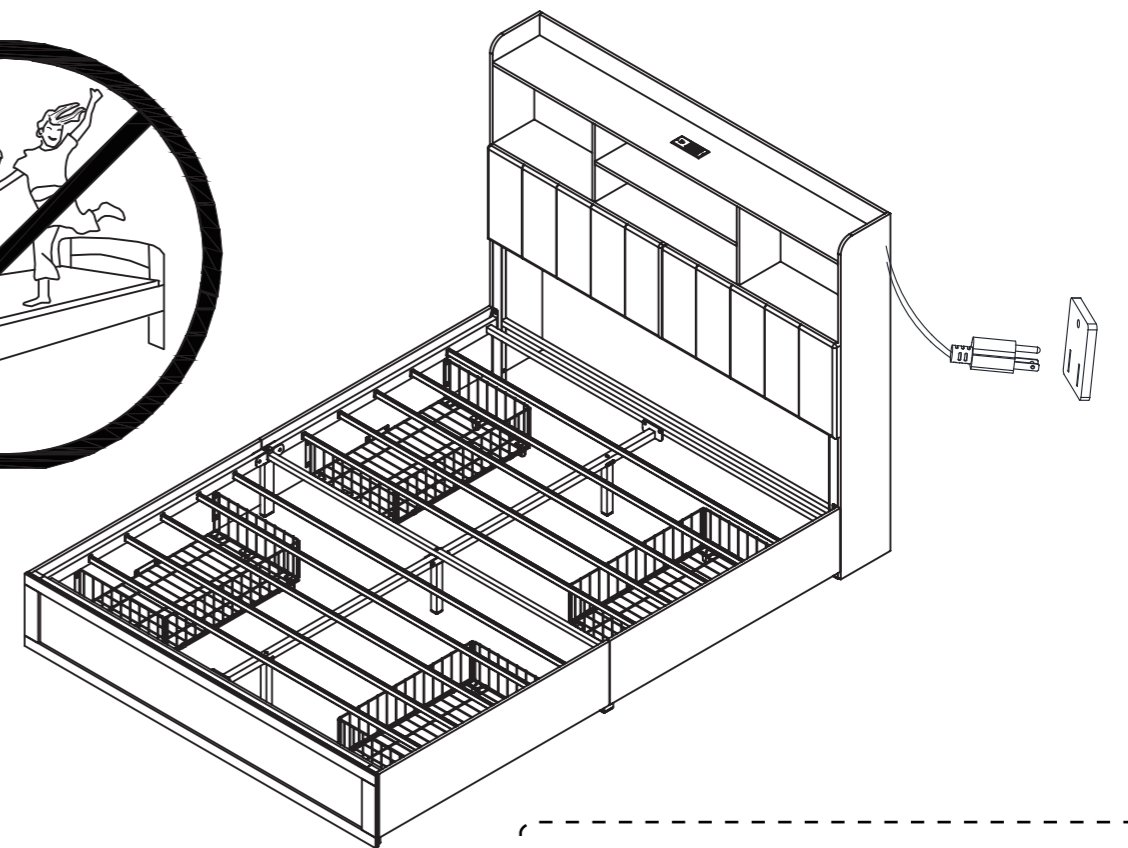


Gently lift the drawer, align the screw with the gourd-shaped hole, and then snap it in

28



30



Installation Complete