

13' x 15' Wood Gazebo

Operating Instruction



NOTE:

The whole gazebo is shipped in 4 boxes, please wait patiently before you receive all of them. If you have any problems with damaged or missing accessories after receiving it, please contact us in time through shopping email and provide the necessary photos, our team will help you solve it.

INDEX

- 3** Parts list
- 7** **STEP 1** Install posts
- 8** **STEP 2** Connect 2 parts of all the beams
- 10** **STEP 3** Install beams to posts
- 11** **STEP 4** Install the corner solidifying bars
- 12** **STEP 5** Install the corner roof supports
- 13** **STEP 6** Install the middle roof tube
- 15** **STEP 7** Install the roof support tubes
- 16** **STEP 8** Install the solidifying tubes
- 18** **STEP 9** Install the corner solidifying tubes
- 19** **STEP 10** Install the roof solidifying bars
- 20** **STEP 11** Fix solidifying tubes and corner roof support tubes
- 21** **STEP 12** Install the roof panels
- 22** **STEP 13** Install the corner solidifying tubes
- 23** **STEP 14** Install the solidifying tubes
- 24** **STEP 15** Fix the roof support tube
- 25** **STEP 16** Secure the posts to the ground

! CAUTIONS

1. 2-3 adults or more are recommended to install your gazebo (one of steps need at least 3 people to move whole gazebo frame). Make sure you are wearing closed toe shoes and installing in a safe environment.
2. DO NOT attempt to assemble or use the gazebo in moderate or heavy wind conditions.
3. It is essential to place the gazebo on level ground and not less than 6 feet from any obstruction such as fences, the house, overhanging branches, laundry lines, or electrical wires.
4. For the convenience to adjust parts connection, never fully tighten the screws until you finish the installation, tighten screws to 80%-90% is enough. (Using the electric drill at a lower rotating speed to avoid damaging the product and screws.)
5. Do not install the gazebo if you find damaged parts or missing parts. Please contact the dealer.

! WARNINGS

1. NEVER leave children unattended around/under this gazebo before it finish assembly.
2. This structure is a non-permanent structure and the warranty does not cover damage incurred under extreme weather conditions including heavy rain, high winds, natural disasters or if exposed to high heat from heaters or BBQs. Warranty does not cover products subject to negligence, abuse usage, inappropriate installation. Damage from exposure to chemicals (including but not only oils ,spills, fluids) won't be covered by warranty.
3. Some parts might have sharp edges/corners. Please follow basic safety precautions to reduce the risk of hurts.

1. Please retain this instruction for future usage and read carefully before assembly.

2. Before you begin to install gazebo, please refer to parts list to check items you received carefully, do not discard any of the packaging until you have checked that you have all the parts & hardware!

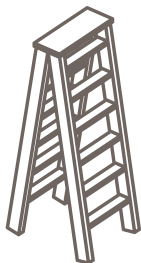
3. Don't hesitate to contact and send pictures to us through shopping email if you were missing parts, have broken parts or have any other installation problems.

Prepare Tools & Equipment

For avoiding potential injuries and smooth installation, please prepare these tools & equipment.

-The installation of gazebo must be done with care due to its constraints and requires a certain level of skills

- Measurement and leveling of supports and structure.
- Floor drilling installation of chemical sealing or suitable fixation
- Work at height and handling heavy loads.



Ladder x2
> 1.5m



Spirit level



Note:

Turn the screw vertically, or it will get stuck easily



Screw driver



Impact drill



Wrench



**Working gloves
and Safety hat**

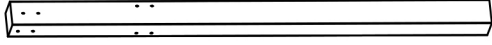
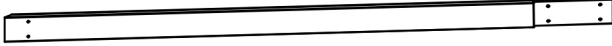
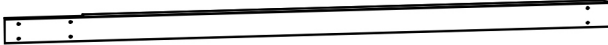


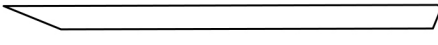


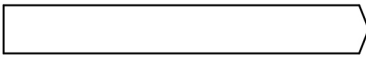
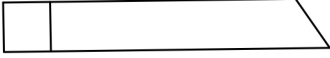
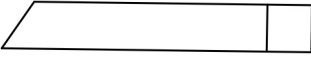













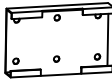
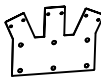

Pencil / Marker




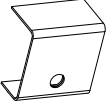




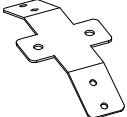
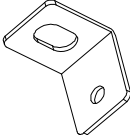
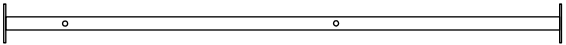
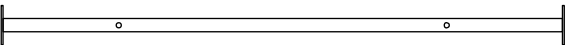
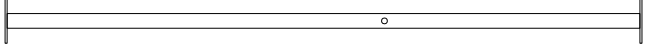


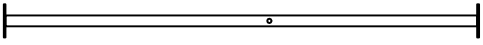


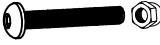




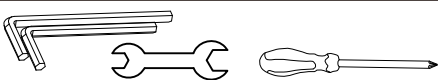



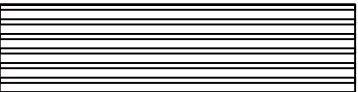
Tape measure
> 3m

PARTS LIST

Box	NAME	NO.	PART	QTY	
BOX A 1/4	Post	A		4 PCS	
	Beam	B		2 PCS	
		B1		2 PCS	
		C		2 PCS	
		C1		2 PCS	
	BOX B 2/4	Corner Roof Support Tube	E		4 PCS
	Corner Solidifying Bar	F		4 PCS	
		F1		4 PCS	
	Corner Roof Solidifying Bar	R		2 PCS	
R1			2 PCS		
R2			2 PCS		

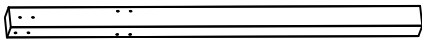
Box	NAME	NO.	PART	QTY
BOX B 2/4	Screw	X	 M8*50	16 PCS
		X1	 M8*20	24 PCS
		X2	 M8*35	32 PCS
		X3	 M8*55	4 PCS
		X4	 4*35	36 PCS
		X5	 M8*85	4 PCS
	Allen Wrench			1 PC
BOX C 3/4	Roof Support Tube	D		8 PCS
	Solidifying Tube	G		10 PCS
	Corner Solidifying Tube	G1		4 PCS
	Roof Solidifying Bar	H		4 PCS
	Joints Reinforcement	T		4 PCS
		T1		2 PCS
	Corner Reinforcement	J1		4 PCS

Box	NAME	NO.	PART	QTY
BOX C 3/4	Middle Roof Tube	K		1 PCS
		K1		2 PCS
	Anchoring Stand	L		16 PCS
	Bracket	M1		12 PCS
		M2		2 PCS
		M3		2 PCS
		M4		2 PCS
	Spacer	M5		32 PCS
	Bracket	M7		2 PCS
	Bracket	M9		4 PCS
	Solidifying Tube	01		4 PCS
		02		8 PCS
		03		4 PCS

Box	NAME	NO.	PART	QTY
BOX C 3/4	Solidifying Tube	04		4 PCS
	Middle Roof Tube Connector	Q		2 PCS
	Screw	X6	 M6*15	158 PCS
		X7	 M6*38	32 PCS
		X8	 M6*25	8 PCS
		X9	 4*15	72 PCS
	Gloves			1 PC
	Anchor Bolts	Z1		16 PC
Allen Wrench			1 PC	
BOX D 4/4	Roof Panel	D1		2 PCS
		D2		2 PCS
		N		14 PCS
		N1		4 PCS

STEP 1 Install posts

Components in this step



Post#A x4



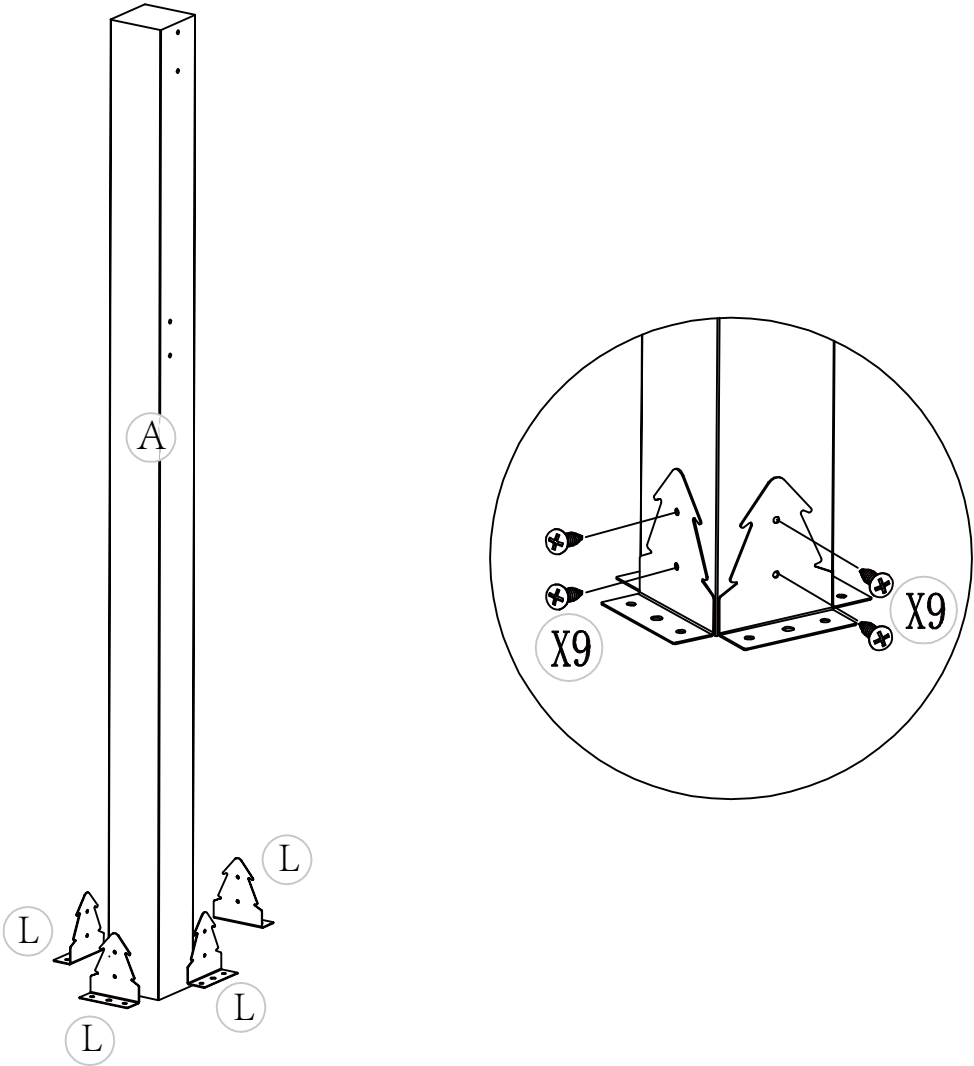
Anchoring Stand#L x16



4*15
Screw#X9 x32



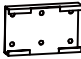




1.A

Install Anchoring Stand#L to Post#A with Screws#X9(4*15).



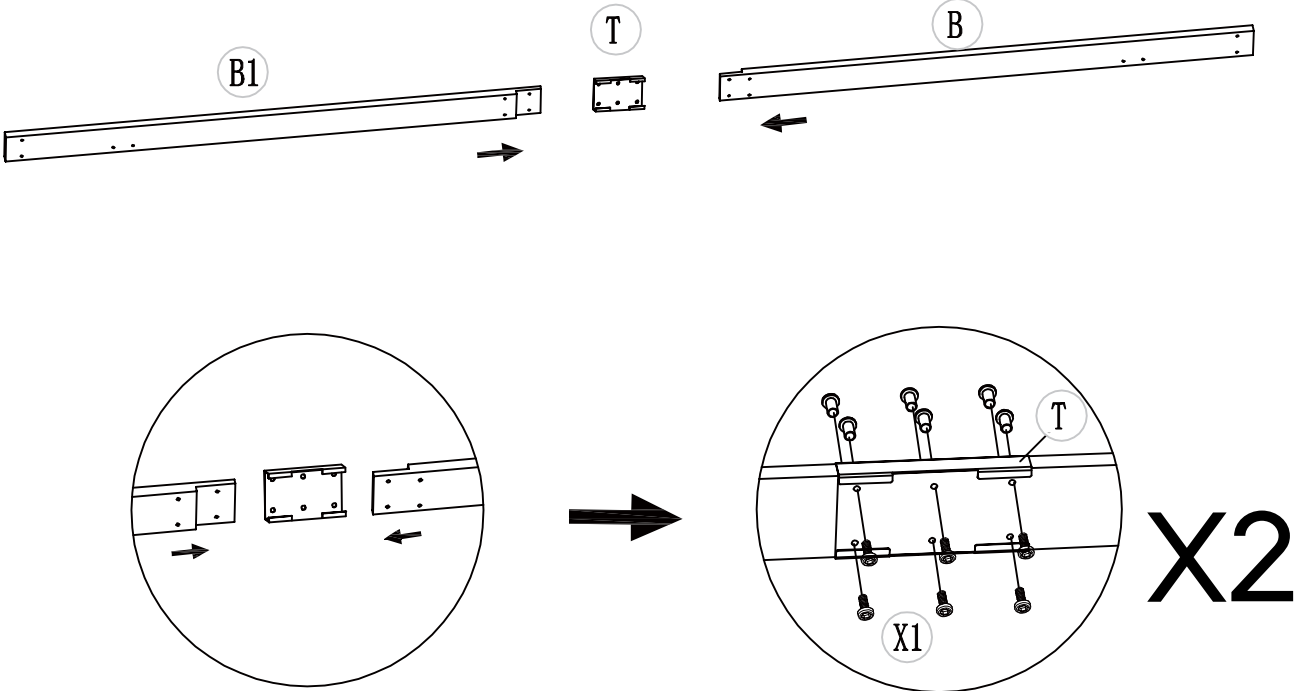
STEP 2 Connect 2 parts of all the beams

Components in this step

 Beam#B x2	 Beam#C x2	 Joints Reinforcement#T x4
 Beam#B1 x2	 Beam#C1 x2	 Joints Reinforcement#T1 x2
 M8*20 Screw#X1 x24		

2.A

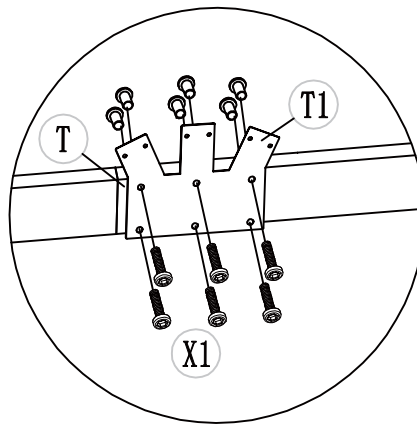
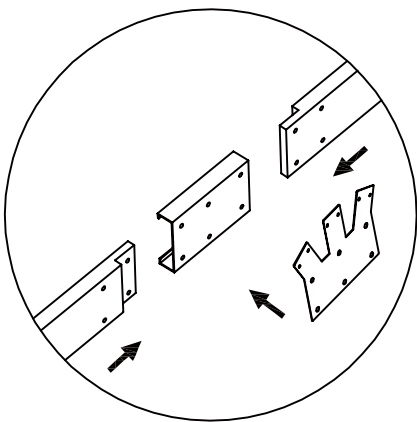
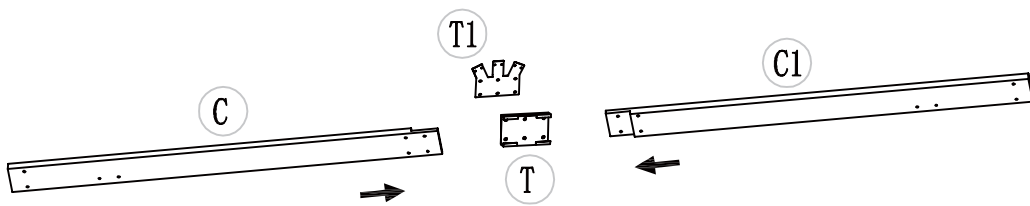
Connect Beams(#B,#B1)with Joints Reinforcement#T as shown,and fix them with Screws#X1(M8*20).



STEP 2 Connect 2 parts of all the beams

2.B

Connect Beams(#C,#C1)with Joints Reinforcement#T as shown,and then fix Joints Reinforcement#T and Joints Reinforcement#T1 with Screws#X1(M8*20).



X2

STEP 3 Install beams to posts

Components in this step



Corner Reinforcement#J1 x4



M8*45

Screw#X x16

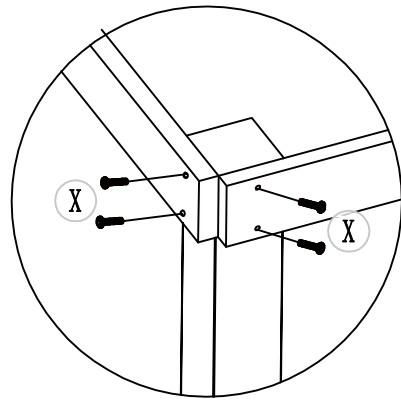
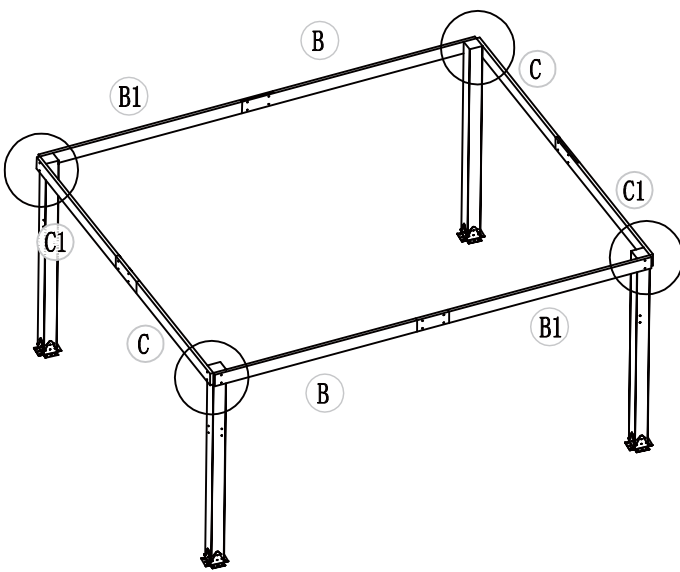


4*15

Screw#X9 x12

3.A

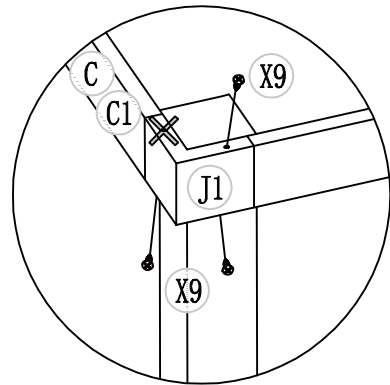
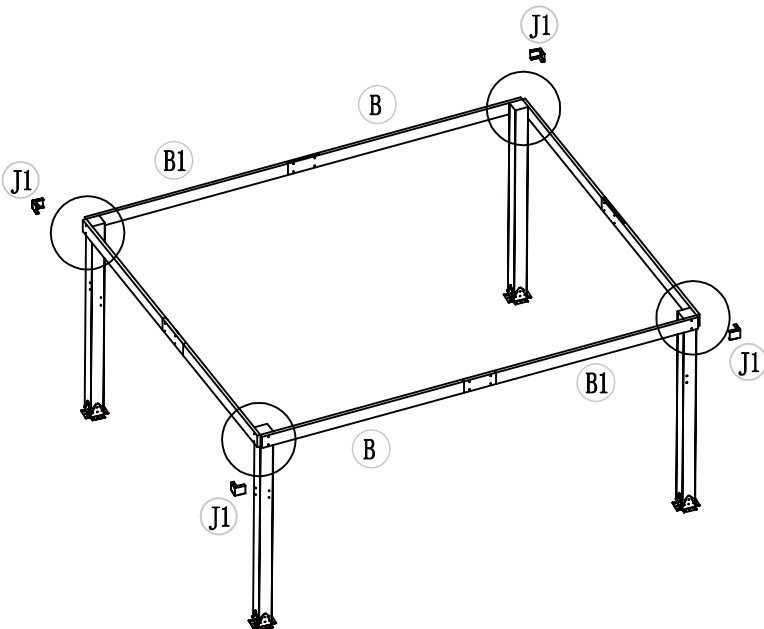
Fix the connected Beams(#B,#B1),(#C,#C1)to the Posts#A with Screws#X(M8*45).



X4

3.B

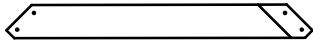
Reinforce the connection with Corner Reinforcement#J1,and fix them with Screw#X9(4*15) as shown.



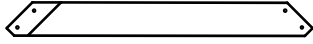
X4

STEP 4 Install the corner solidifying bars

Components in this step



Corner Solidifying Bar#F x4



Corner Solidifying Bar#F1 x4

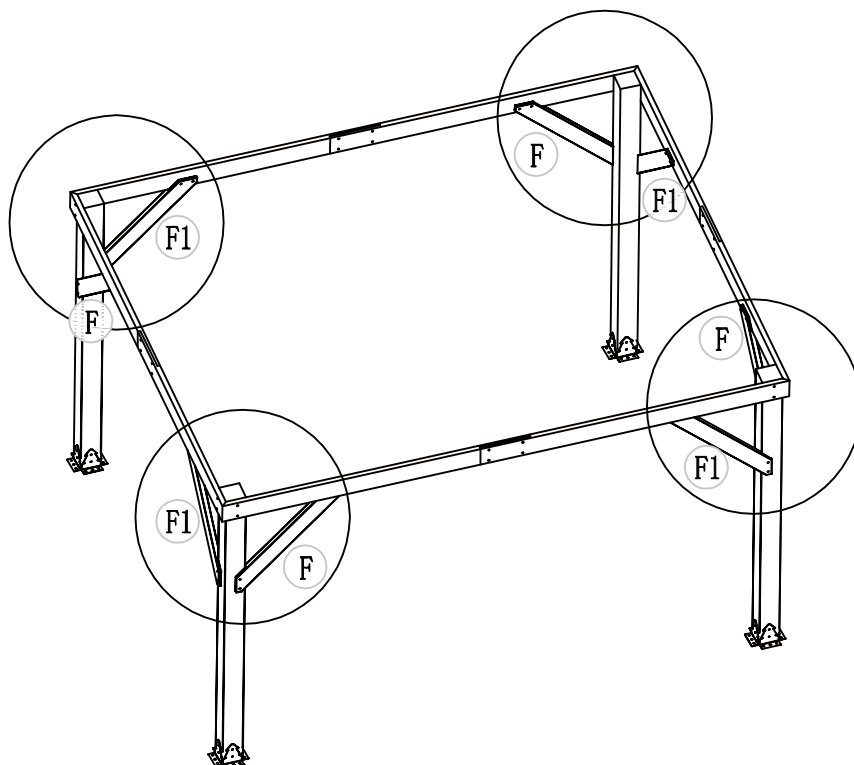
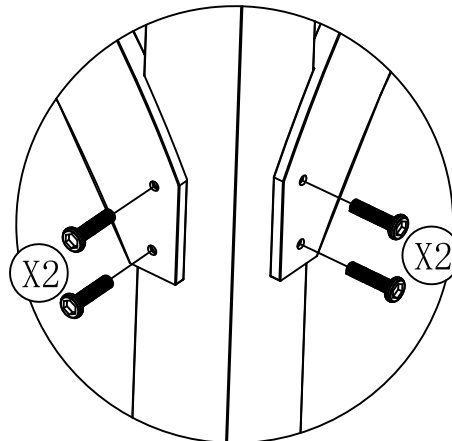
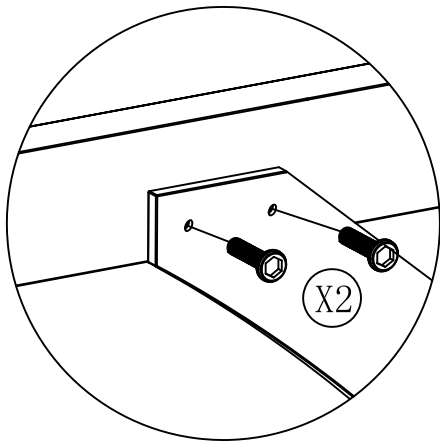
Screw#X2 x32



M8*35

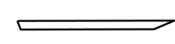
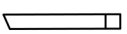

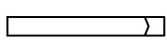
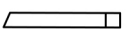


4.A

Use Screws#X2(M8*35) to secure Corner Solidifying Bars(#F,#F1) to the Posts#A and connected Beams(#B,#B1,#C,#C1) as shown.



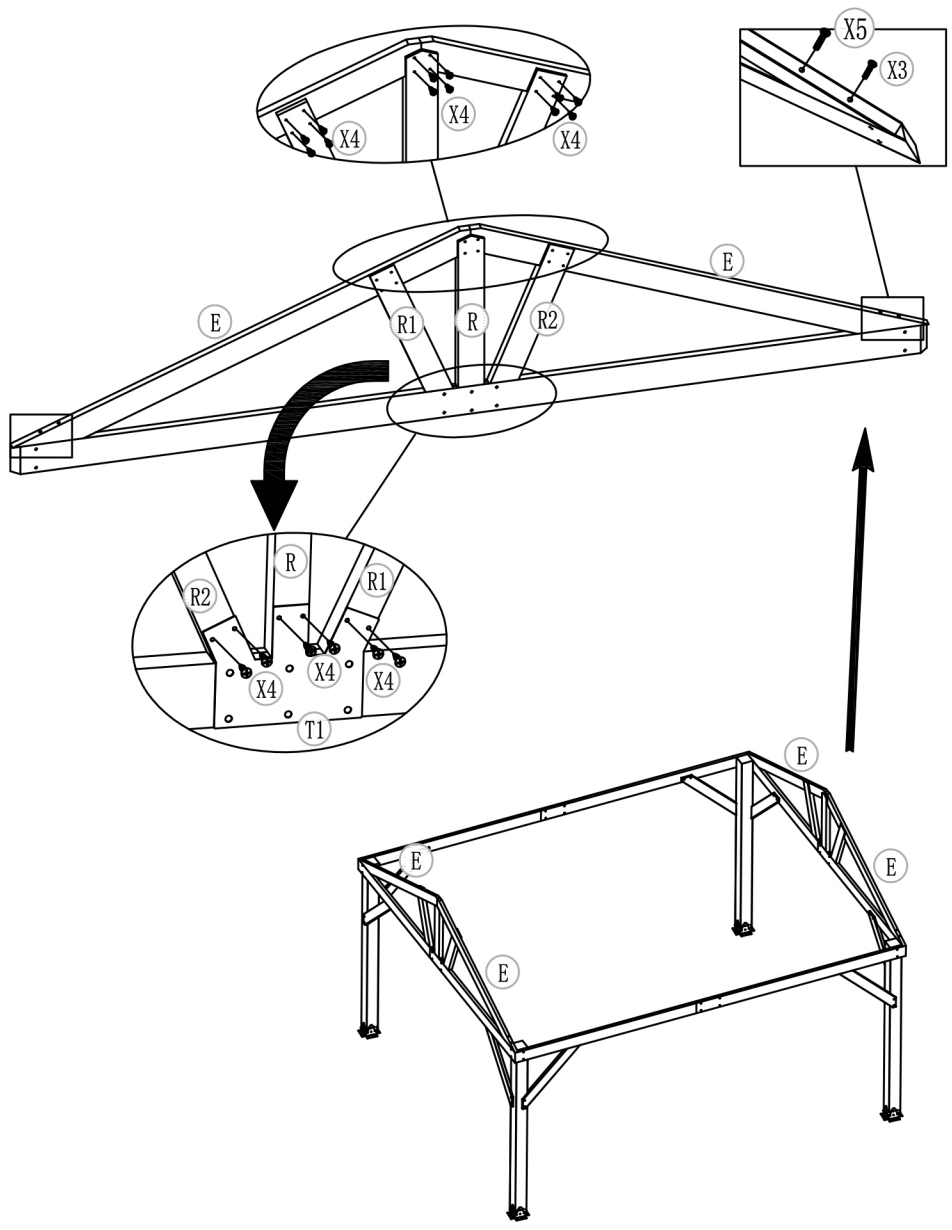
STEP 5 Install the corner roof supports

Components in this step

			Screw#X4 x36
Corner Roof Support Tube#E x4	Corner Roof Solidifying Bar#R1 x2	4*35	
			Screw#X5 x4
Corner Roof Solidifying Bar#R x2	Corner Roof Solidifying Bar#R2 x2	M8*85	
			Screw#X3 x4
		M8*55	

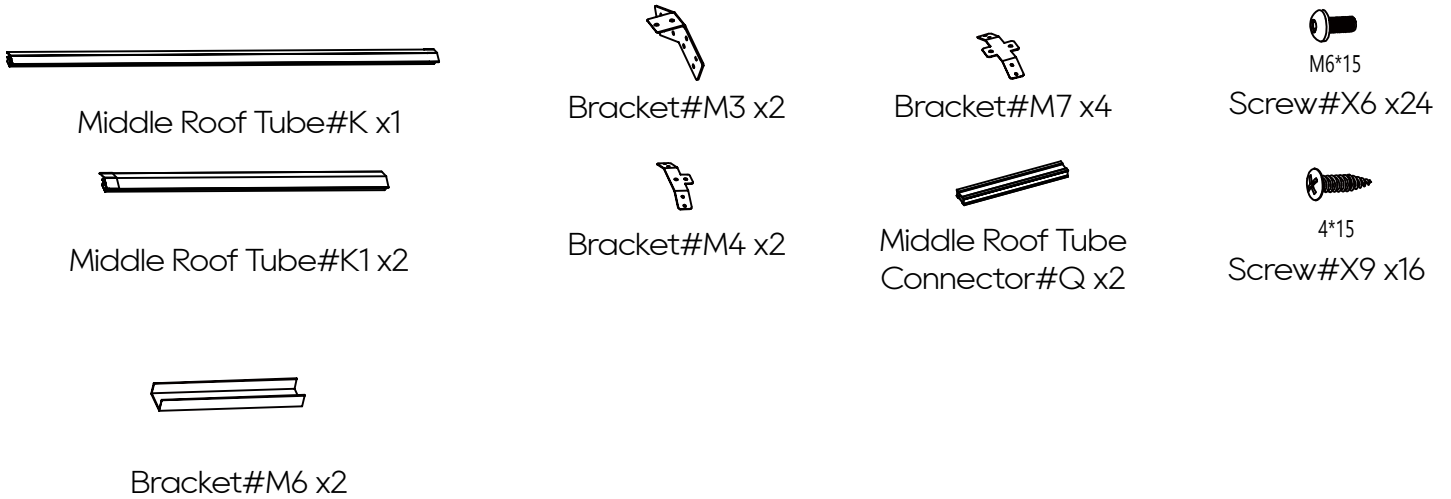
5.A

1. Fix the Corner Roof Support Tubes(#E) to the Connected Beams(#C,#C1) with Screws#X3/X5(M8*50,M8*95).
2. Use Screws#X4(4*25) to secure Corner Roof Solidifying Bars#R/R1/R2 to the Corner Roof Support Tubes#E and Connected Beams#C/C1 as shown.
3. Repeat the step for the other side.



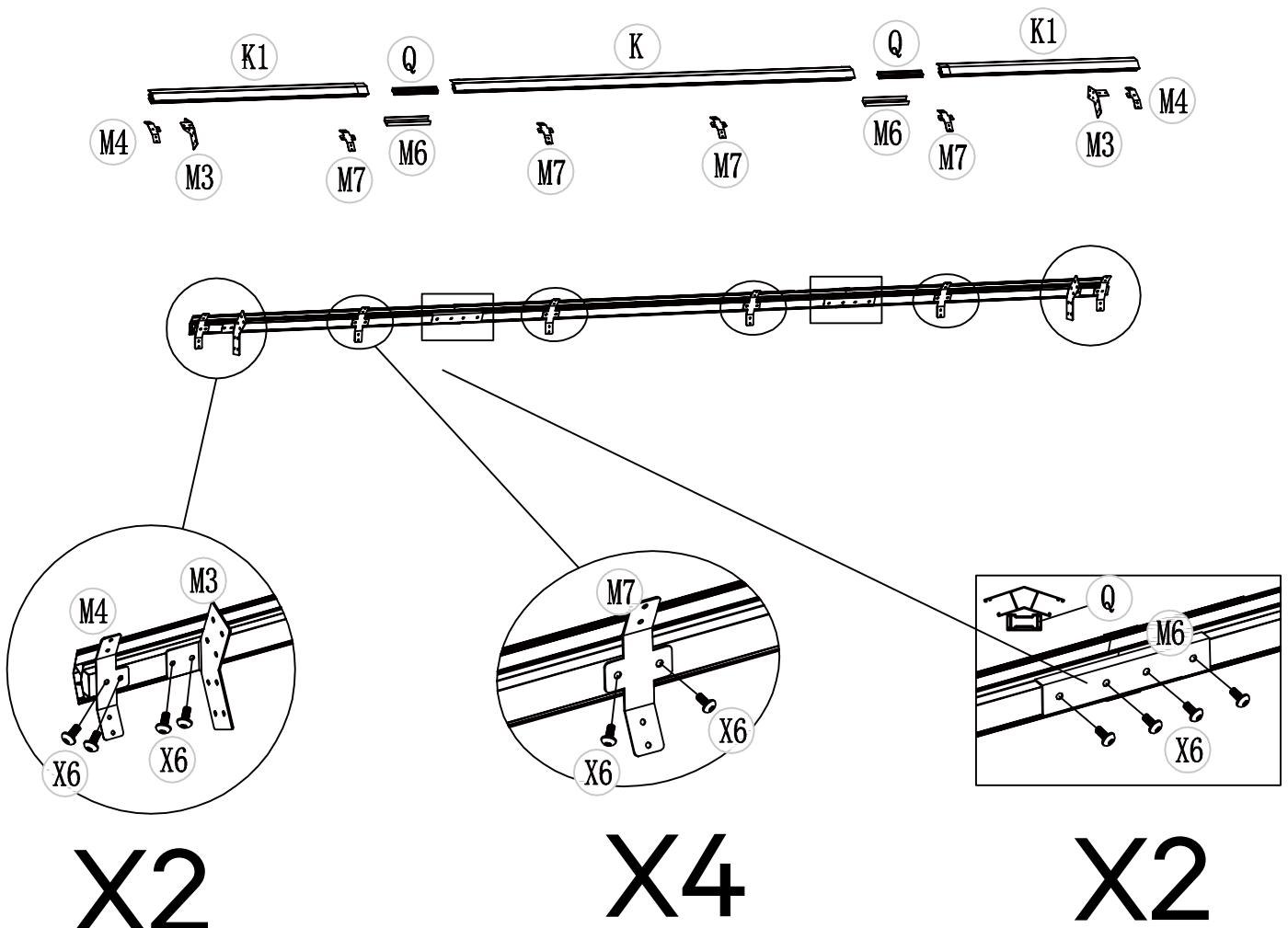
STEP 6 Install the middle roof tube

Components in this step



6.A

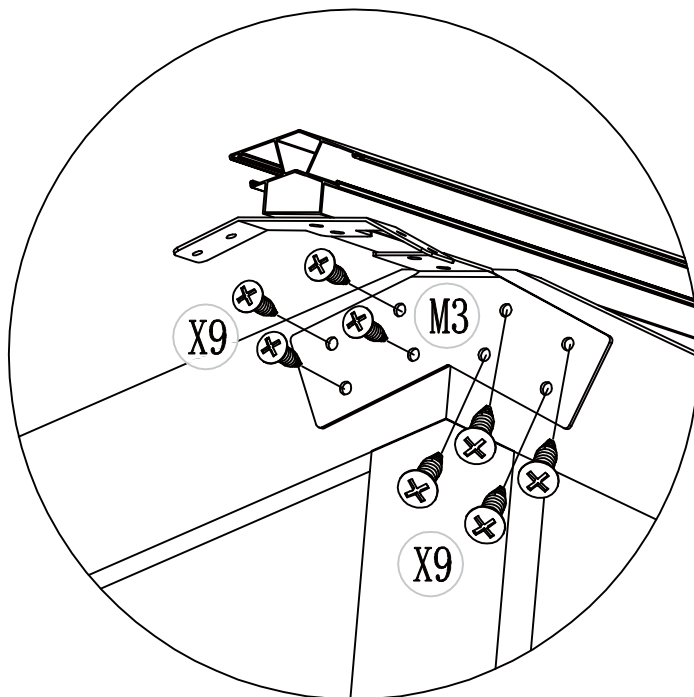
Connect Middle Roof Tubes#K/K1 with Middle Roof Tube Connector#Q as shown, and fix them with Brackets#M3/M4/M6/M7 and Screws#X6(M6*15).



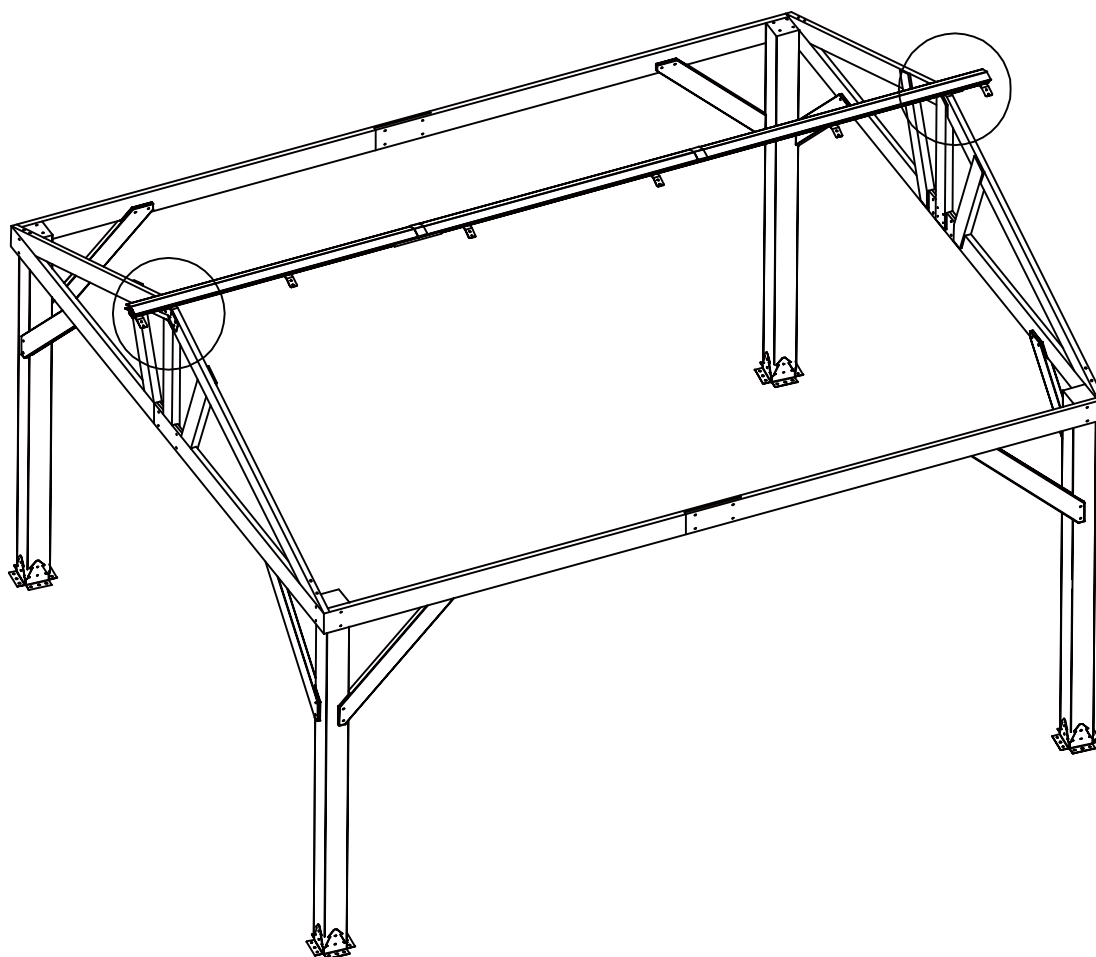
STEP 6 Install the middle roof tube

6.B

Place the assembled middle roof tube on the Corner Roof Support Tubes#E/E1, and secure with Screws#X9 (4*15).



X2



STEP 7 Install the roof support tubes

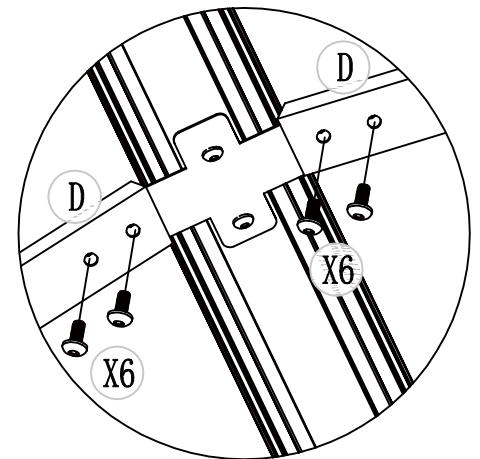
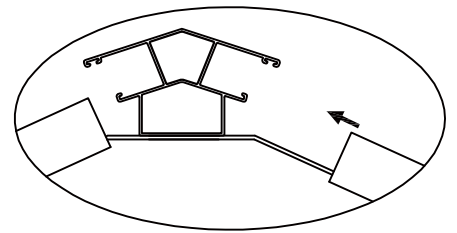
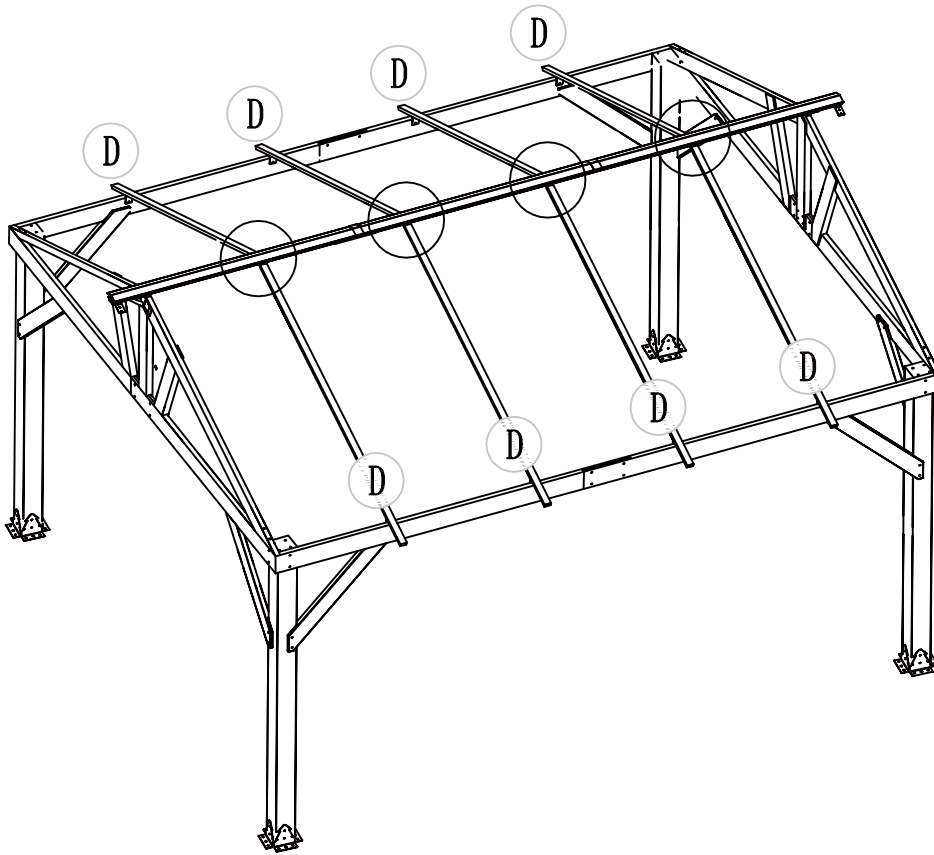
Components in this step



Screw#X6 x16

7.A

Use Screws#X6(M6*15) to secure Roof Support Tubes#D to Middle Roof Tubes#K/K1 as shown.



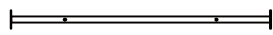
X4

STEP 8 Install the solidifying tubes

Components in this step



Solidifying Tube#01 x4

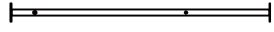


Solidifying Tube#03 x4

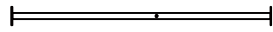


M6*15

Screw#X6 x64



Solidifying Tube#02 x8



Solidifying Tube#04 x4

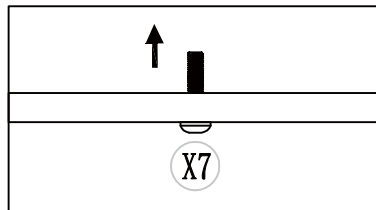
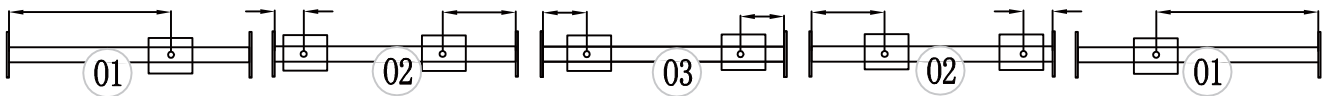
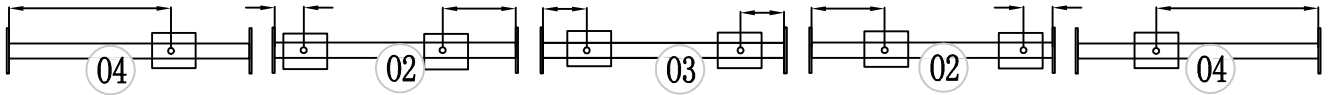


M6*38

Screw#X7 x32

8.A

Pre-place the Solidifying Tubes#01/02/03/04 on the ground as shown, and install the Screws#X7 on it (Do not tighten the screws with nuts!)



X32

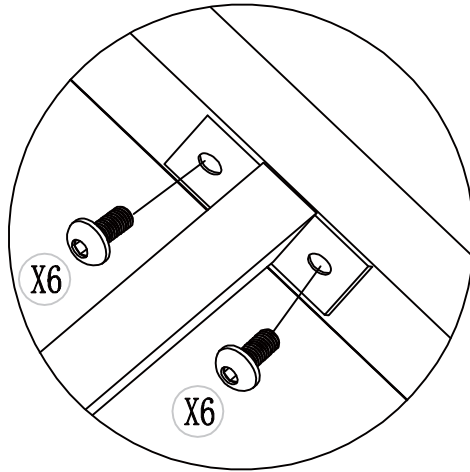


Note:

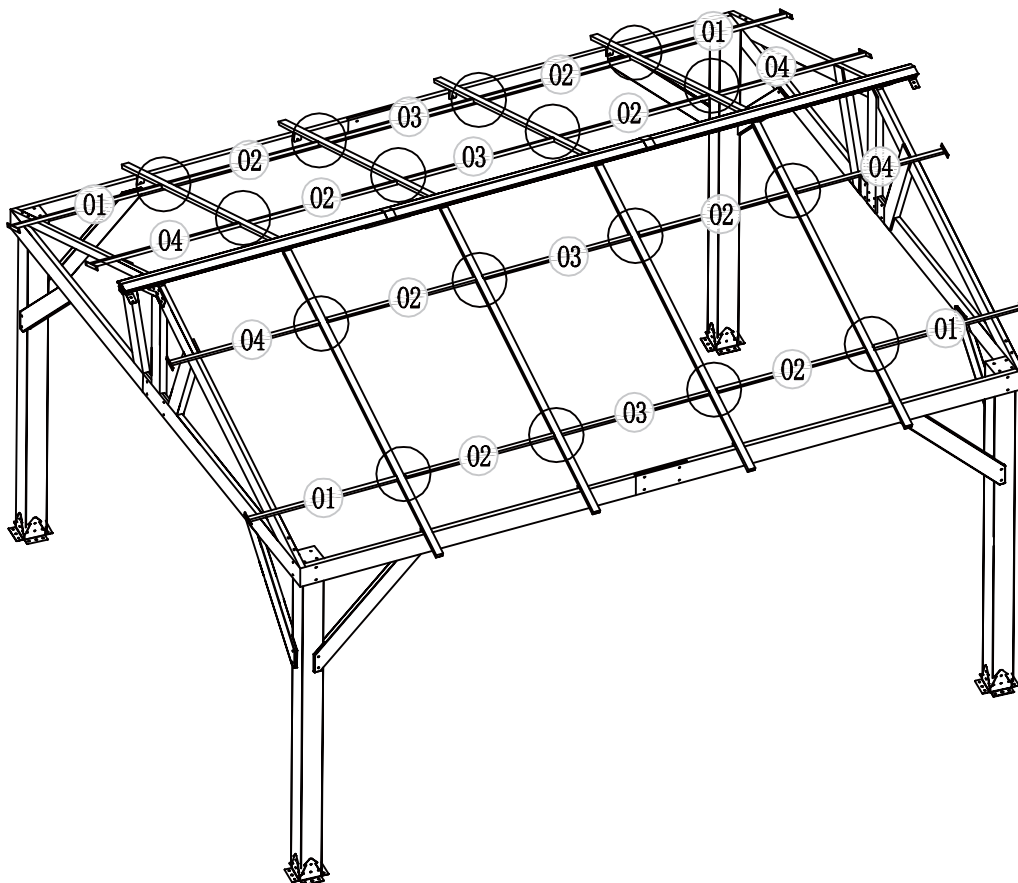
Paying attention to the left and right orientation of the profile holes

8.B

Use Screws#X6(M6*15) to secure Solidifying Tubes#O1/O2/O3/O4 to Roof Support Tubes#D.



X16



STEP 9 Install the corner solidifying tubes

Components in this step



Corner Solidifying Tube#D1 x2



Corner Solidifying Tube#D2 x2

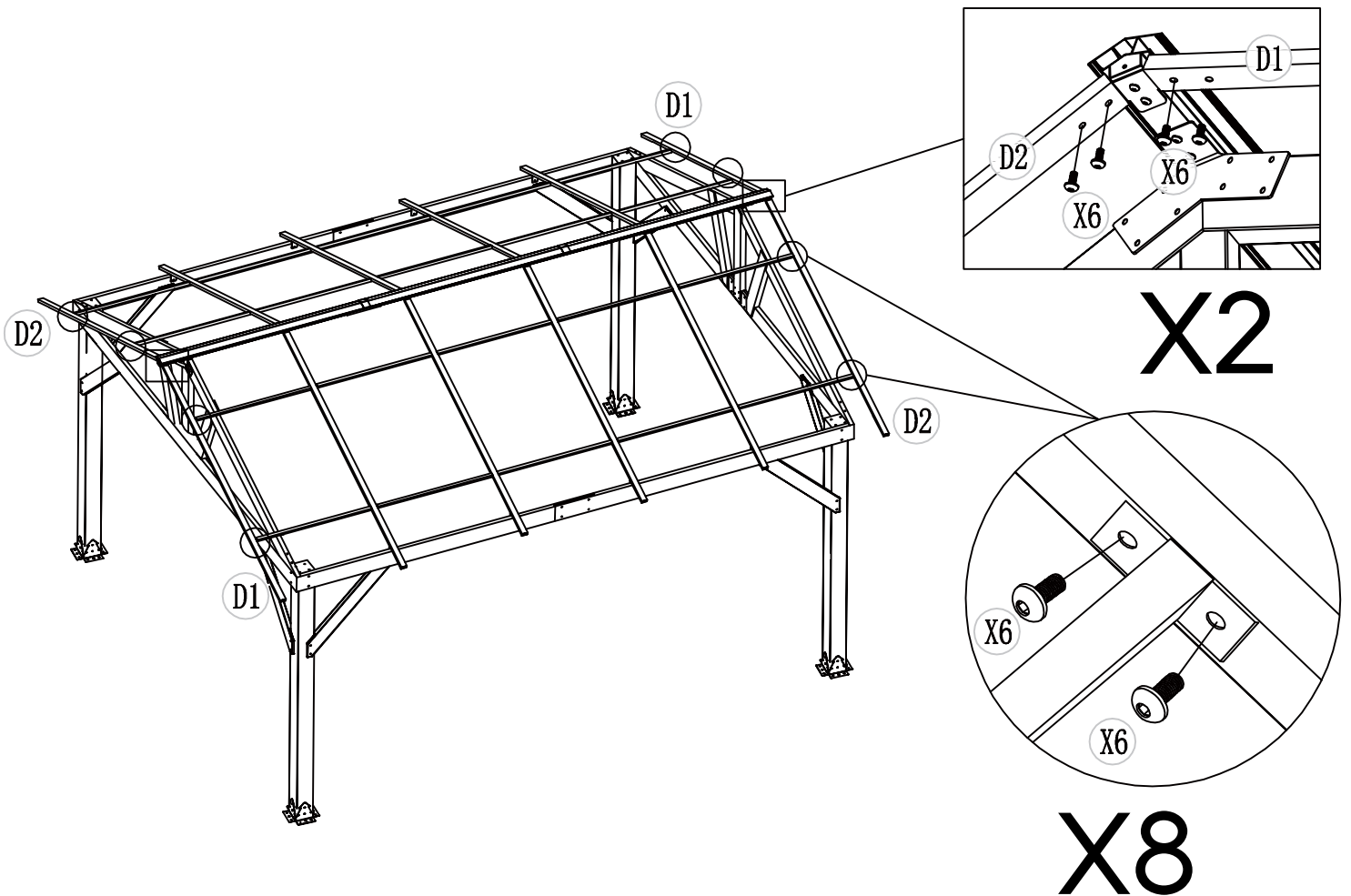
Screw#X6 x24



M6*15

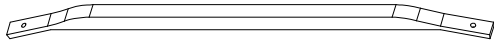
9.A

1. Use Screws#X6(M6*15) to secure Corner Solidifying Tube#D1/D2 to Solidifying Tubes#Q1/Q3 and Middle Roof Tubes#D1/D2.
2. Repeat the step for the other side.



STEP 10 Install the roof solidifying bars

Components in this step



Roof Solidifying Bar#H x4

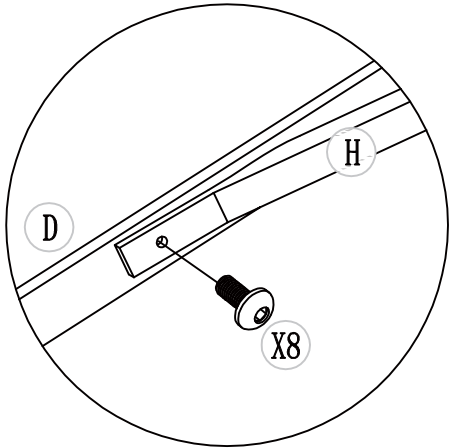
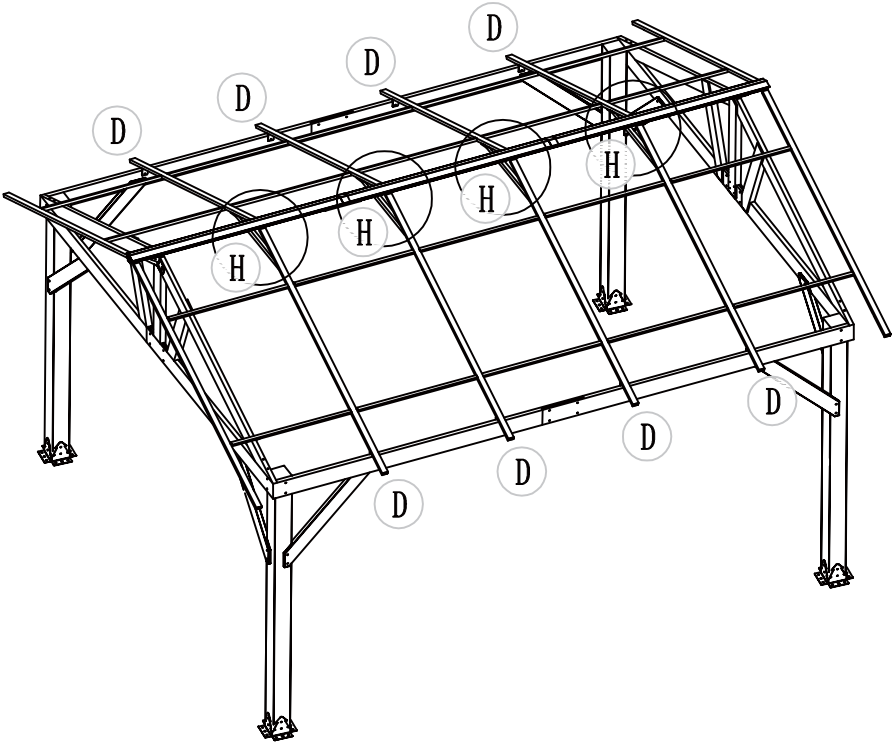


M6*25

Screw#X8 x8

10.A

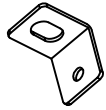
Use Screws#X8(M6*25) to secure Roof Solidifying Bars#H to Roof Support Tubes#D



X4

STEP 11 Fix solidifying tubes and corner roof support tubes

Components in this step



Bracket#M9 x4



M6*15

Screw#X6 x4

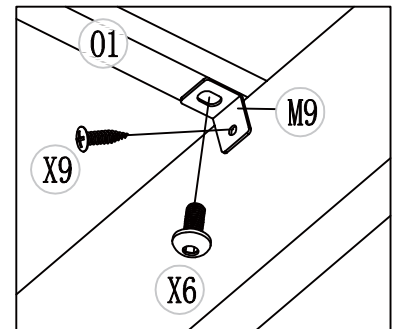
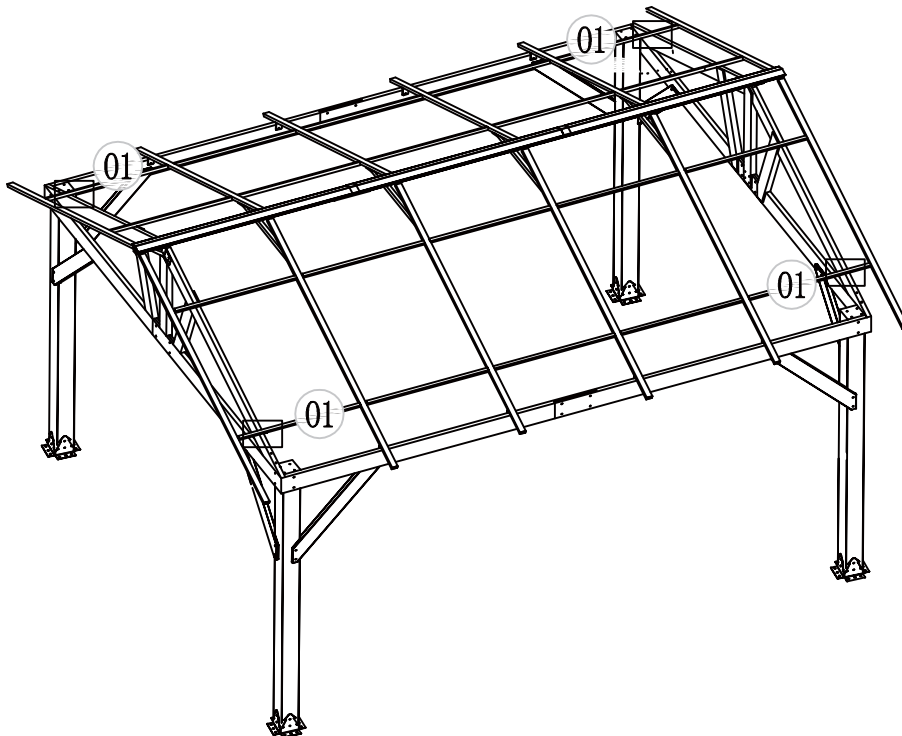


4*15

Screw#X9 x4

11.A

Fix Solidifying Tube#Q1 and Corner Roof Support Tubes#E/E1 with Bracket#M9 and Screws#X6/X9(M6*15,4*15).



X4

STEP 12 Install the roof panels

Components in this step

 Spacer#M5 x32

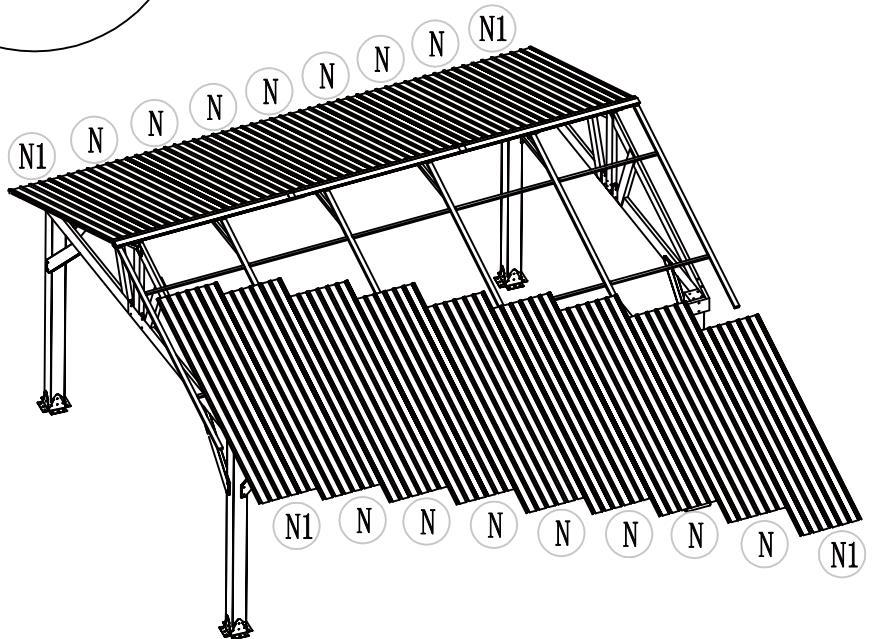
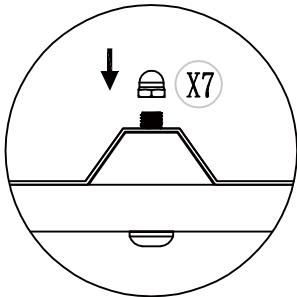
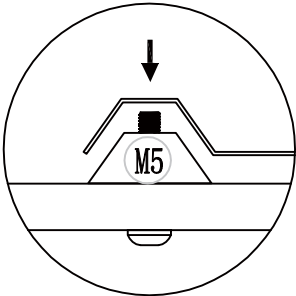
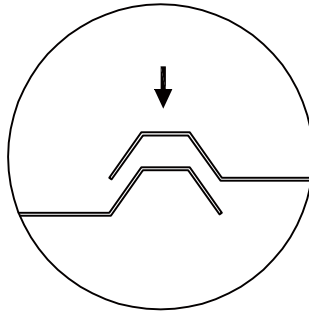
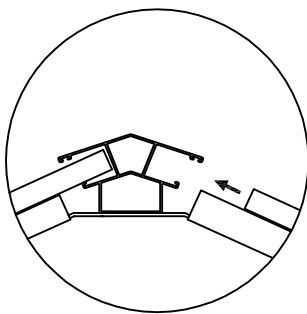
 Roof Panel#N1 x4

 Screw#X7 x32

 Roof Panel#N x14

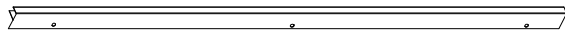
12.A

1. Place the Roof Panels#N/N1 on the solidifying tubes as shown.
2. Insert Spacer#M5 between the Roof Panels#N/N1 and Solidifying Tubes#O1/O2/O3, then secure with Screws#X7(M6*42).

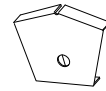


STEP 13 Install the corner solidifying tubes

Components in this step



Corner Solidifying Tube#G1 x4



Bracket#M2 x2

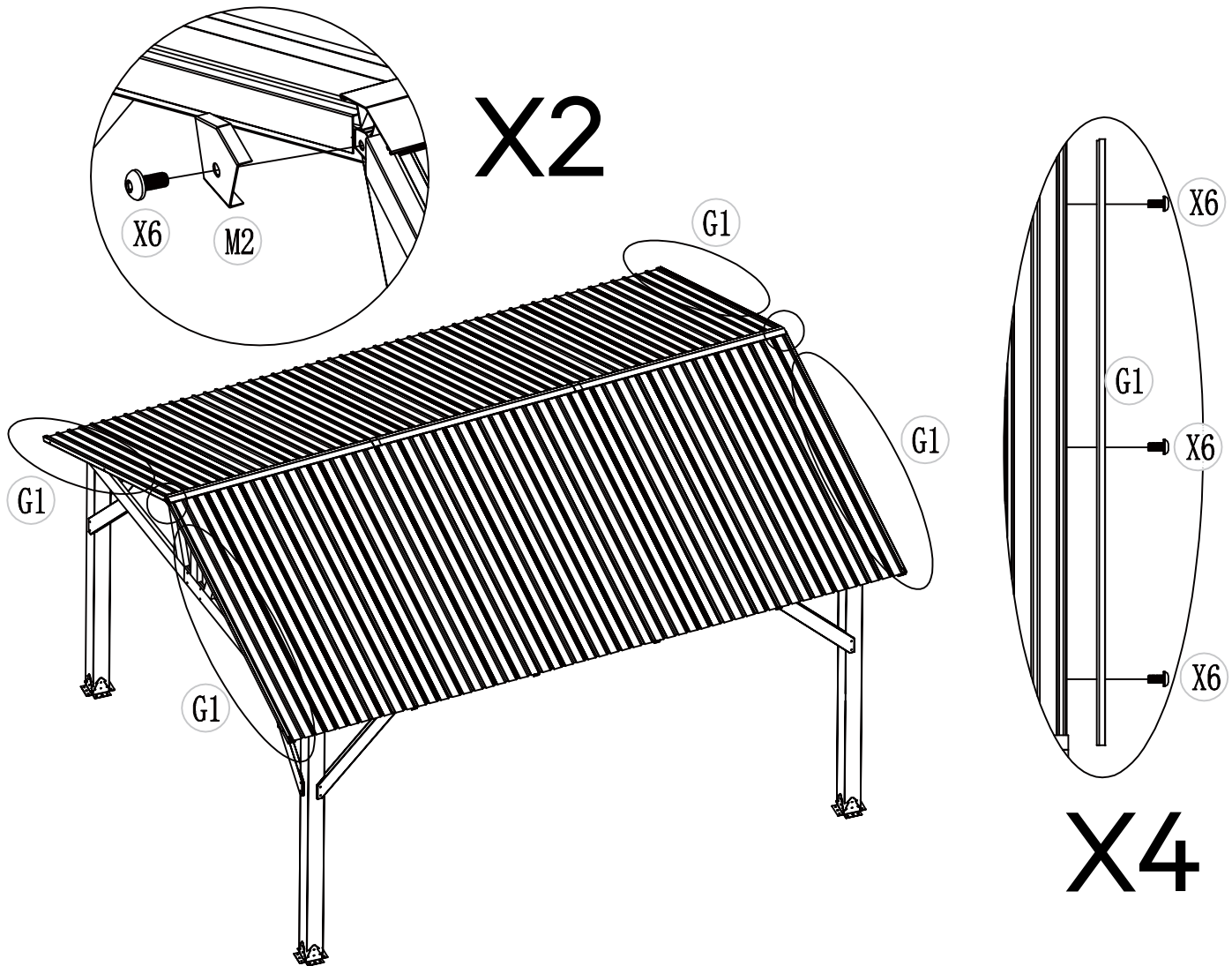


M6*15

Screw#X6 x14

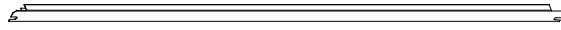
13.A

1. Use Screw#X6(M6*15) to secure Corner Solidifying Tube#G1 to Roof Panels#N1.
2. Fix Corner Solidifying Tubes#G1 and Middle Roof Tubes#K/K1 with Bracket#M2 and Screw#X6(M6*15).



STEP 14 Install the solidifying tubes

Components in this step



Solidifying Tube#G x10



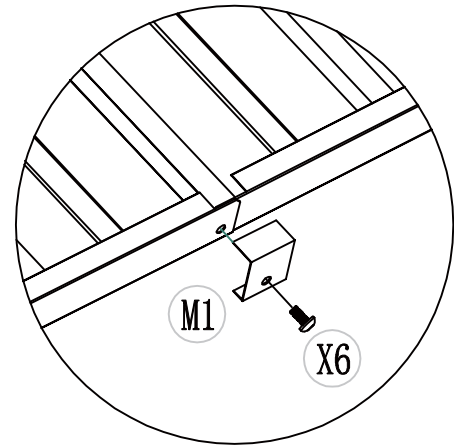
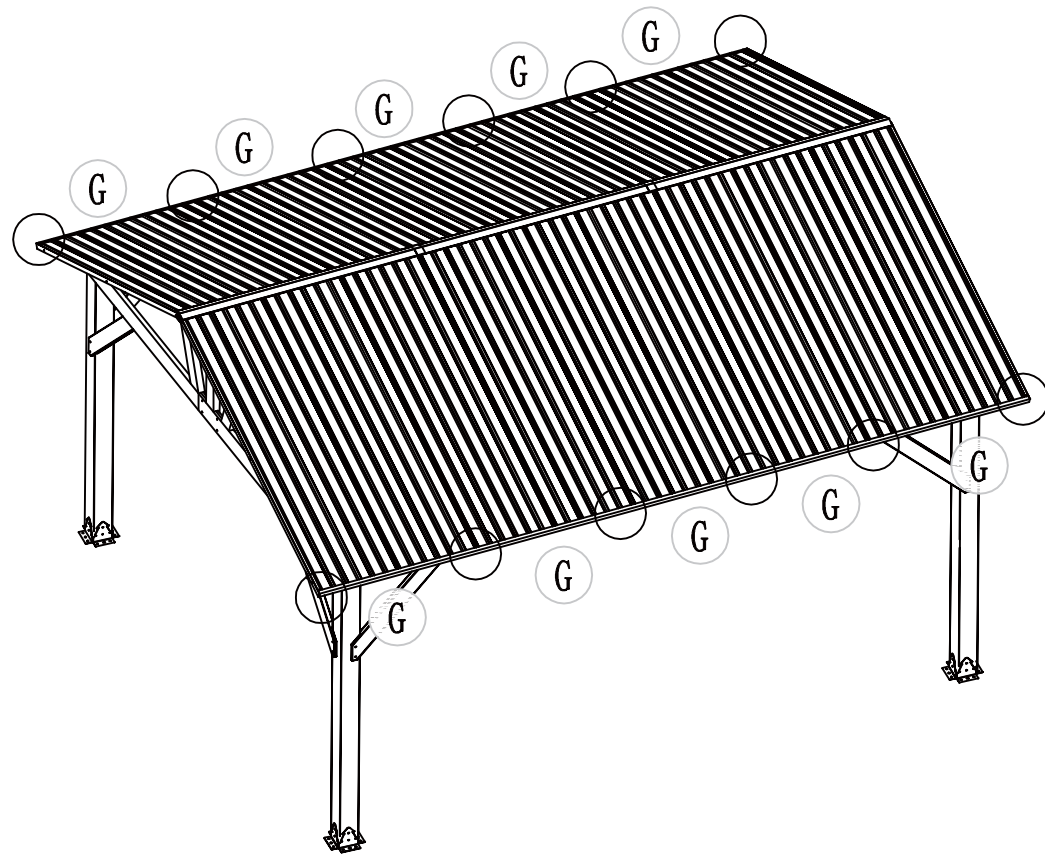
Bracket#M1 x12



M6*15 Screws#X6 x12

14.A

Use Screw#X6(M6*15)and Bracket#M1 to secure Solidifying Tube#G to roof panels.



X12

STEP 15 Fix the roof support tube

Components in this step

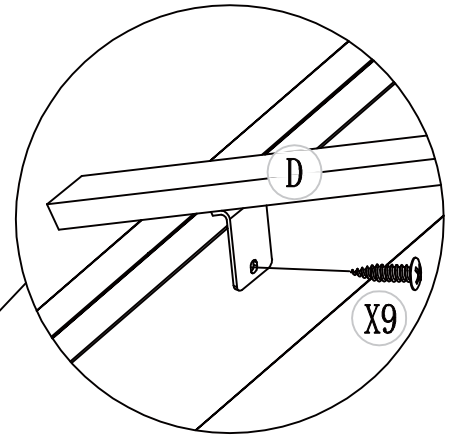
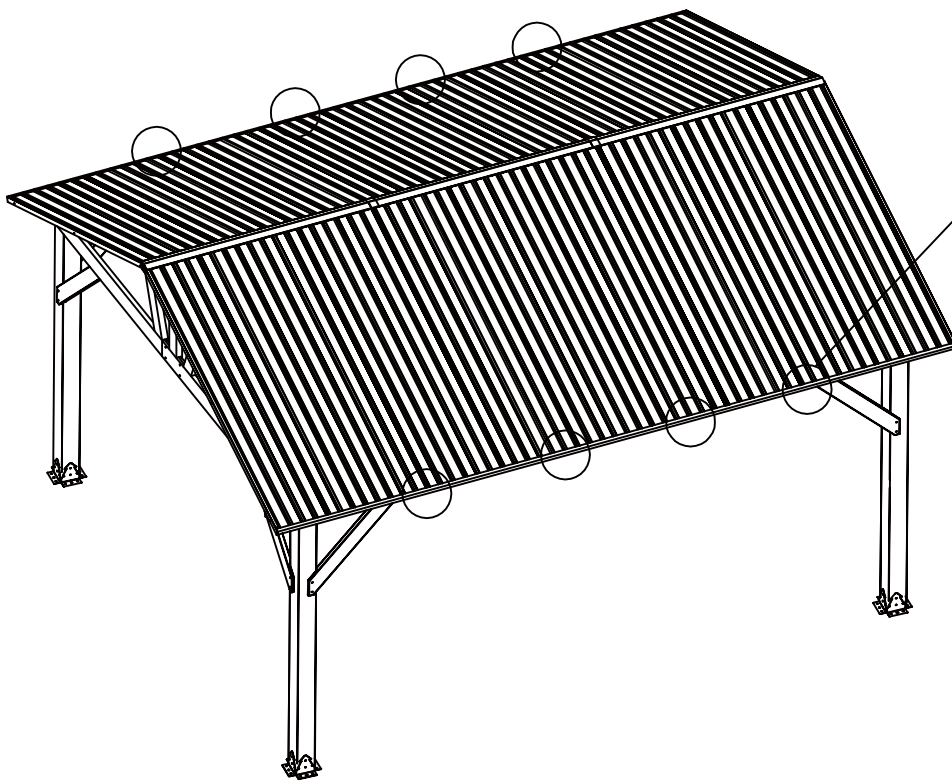
Screws#X9 x8



4*15

15.A

Fix Roof Support Tubes#D with Screws#X9(4*15).



X8

STEP 16

Secuer the poststo the ground

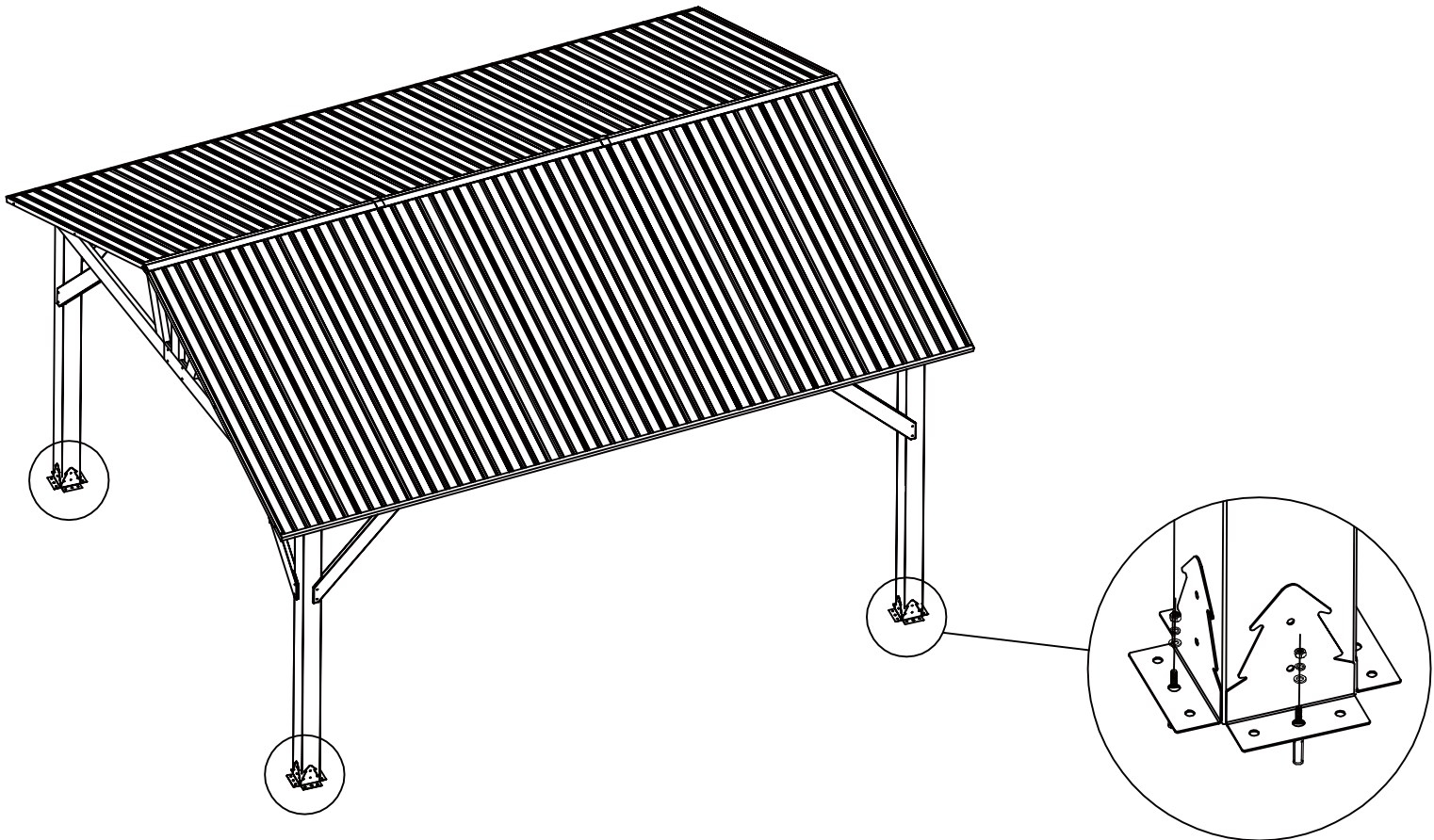
Components in this step

Anchor Bolt #Z1 x16



16.A

To fix the Posts#A with the Anchor Bolts#Z1.



X4