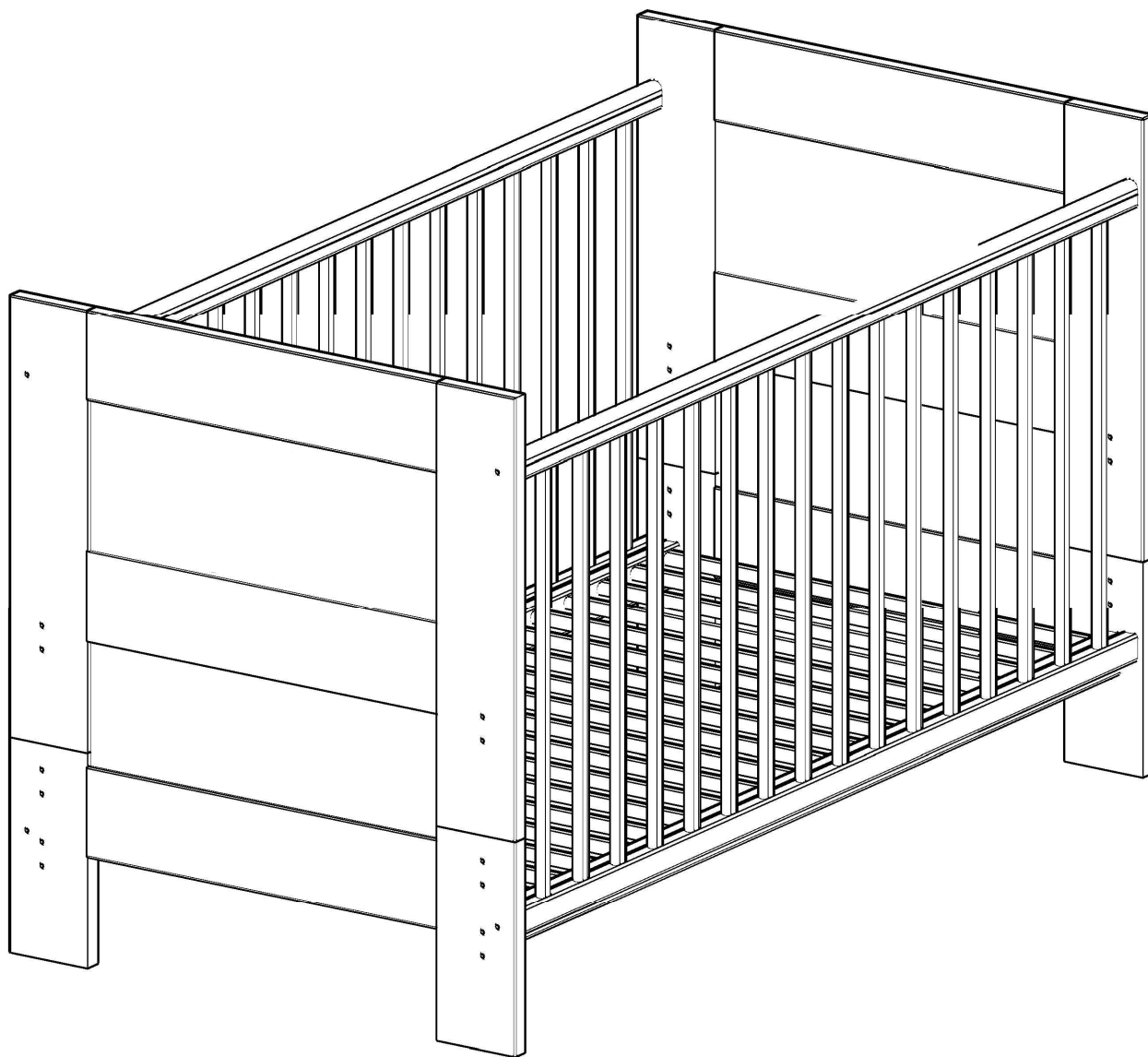

Assembly instructions

Actual product size
H88 x W146 x D78cm



BEFORE YOU START

IMPORTANT - RETAIN FOR FUTURE REFERENCE - READ CAREFULLY.

Number of people required to assemble

Two persons are required to assemble this item

This bed conforms to BS EN 716:2008 + A1:2013 and BS8509:2008 + A1:2011

WARNINGS

WARNING:

Children are likely to play, bounce, jump and climb on beds, therefore the child's bed should not be placed too close to other furniture or windows, blind cords, curtain pulls or other strings or cords and should be placed either tight to any wall or have a gap of 300mm between the wall and the side of the bed

WARNING: Be aware of the risk of open fire and other heat sources of strong heat, such as electric bar fires, gas fires, etc. in the near vicinity of the cot

WARNING: Do not use the cot if any part is broken, torn or missing and use only spare parts approved by the manufacturer

WARNING: Do not leave anything in the cot or place the cot near to another product, which could provide a foothold or present a danger of suffocation or strangulation, e.g. strings, blind/curtain cords, etc.

WARNING: Do not use more than one mattress in the cot

The beds should not be placed too close to other furniture or windows, and should be placed either tight against a wall or have a gap of 300mm between the wall and the side of the bed.

WARNING: Assembly by adult only.

Once the mattress is placed on the bed base, make sure the gap between the mattress and the sides and ends can not exceed 30mm

Do not leave anything in the bed, which could provide a foothold or present a danger of suffocation or strangulation

Assembly fittings should always be tightened properly and care should be taken that no screws are loose to ensure baby does not trap parts of the body, or clothing

The mattress chosen shall be such that the internal height (surface of the mattress to the upper edge of the bed frame) is at least 500mm in the lowest position of the bed base and at least 200mm in the highest position of the bed base

To prevent injury from falls, the cot shall no longer be used for the child when the child is able to climb out of the cot.

The height of the bed base is adjustable The lowest position is the safest and that the base should always be used in that position as soon as the baby is old enough to sit up

We recommend the size of the mattress: L 1400 mm x W 700 mm x H 100 mm

Do's

When you are ready to start, make sure that you have the right tools and plenty of space

Due to the size of the product we recommend that it is assembled in the room intended for use

Unwrap all packaging materials and place the components on a clean surface to protect it from damage,

We recommend that the packaging is used to protect the surfaces during assembly

Carefully check that you have all the parts before beginning assembly

Occasional overall cleaning should be carried out approximately once a month by using a slightly dampened soft cloth then buff with a dry clean soft cloth

Never allow any kind of liquid to remain on your furniture. Absorption can cause finishes to de-laminate.

When moving your assembled bed, It is best to lift the bed, and never to drag it Please periodically check the stability and security of the beds. Please periodically check the fasteners and re-tighten as necessary

Don'ts

Please do not jump on your furniture

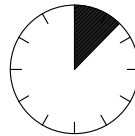
Keep away from fire and other sources of strong heat, such as electric bar, fire, gas fire etc

Do not drag or pull your furniture

Do not use silicone based furniture polish. Silicone in furniture polishes can break down the lacquer finish

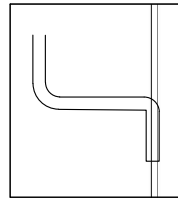
Do not stand or jump on this product

Time to assemble

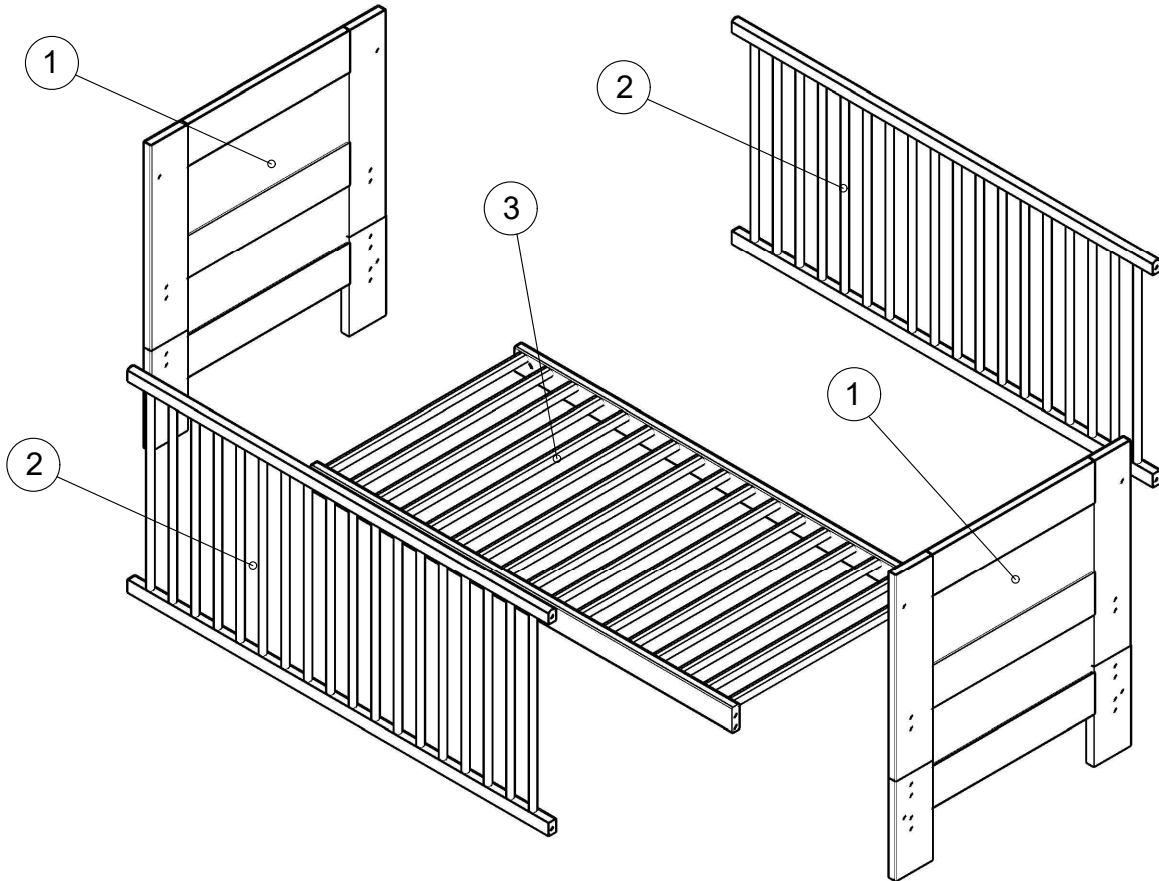


1,5 hours

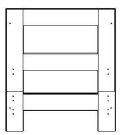
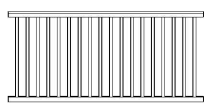
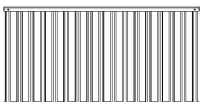
Tools required



GETTING TO KNOW YOUR PRODUCT



Fixtures and fittings supplied (not to scale)

Ref	Dimensions	Visual	Qty	Ctn
1	88 x 78 cm		2	1
2	140 x 64 cm		2	1
3	140 x 75 cm		1	1

Fixtures and fittings supplied

Ref	Dimensions	Qty
A	6 x 60 mm	8
B	10 x 13 mm	16
C	6 x 80 mm	8
D	N/A	1

