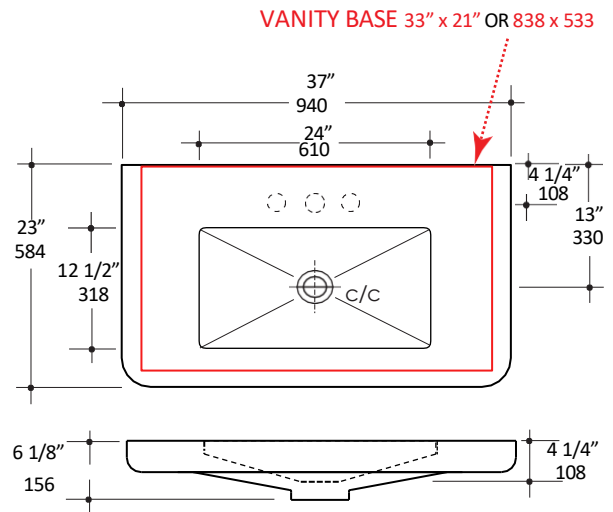
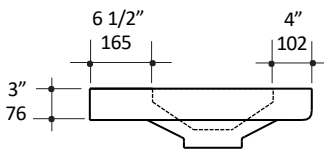


LACAVA

CONCRETE
vanity-top sink
CT370



SPECIFICATIONS:

INSTALLATION:	VANITY-TOP
BASIN DIMENSIONS:	24"W X 12 1/2"D X 4 1/4"H
EXTERIOR DIMENSIONS:	37"W X 23"D X 6 1/8"H
MATERIAL:	CONCRETE
WEIGHT:	160 LBS
OVERFLOW:	NO
FINISHES:	TER- TERRACOTTA
	SLT- SLATE
	CHL- CHARCOAL
	SND- SAND
	MOS - MOSS
	LIL- LILAC
	CLY - CLAY
	SUN - SUN
	MAH- MATCHA
	BRK- BRICK
	AQA - AQUA
	GAL - GALAXY
	BST - BASALTO
	FOR- FOREST GREEN
FAUCET HOLES:	<ol style="list-style-type: none"> 1. NO HOLE 2. ONE CENTERED HOLE 3. TWO HOLES - CENTER AND RIGHT, 4" SPREAD 4. THREE HOLES, 8" SPREAD
VANITY BASE SIZE:	33"X 21" (TEMPLATE AVAILABLE UPON REQUEST)
FAUCET HOLE SIZE:	Ø 1 3/8"
DRAIN HOLE SIZE:	Ø 1 5/8"

LACAVA reserves the right to revise any dimension or information on this sheet without notice. Dimensions are nominal and may vary within an industry accepted tolerance of 1/4". Cabinets with 'vanity top' sinks are made to the matching sink and dimensions may vary. LACAVA is not responsible for any cutouts, countertops, or furniture made without the actual product or template. Differences in color, appearance, and texture are inherent in all concrete pieces and should be expected. Variances in these qualities are not deemed manufacturing defects and will not be accepted as valid reasons for return or exchanges. Plumbing specifications are only a guideline and may need alteration based on application.

FEATURES:

- HANDCRAFTED CONCRETE SINK WITHOUT OVERFLOW
- PROUDLY MADE IN THE USA
- CUTOUT TEMPLATE CAN BE REQUESTED
- VANITY BASES SHOULD ALLOW FOR A 1/2" OVERHANG ON FRONT AND BOTH SIDES TO COMPENSATE FOR DIMENSIONAL VARIATIONS OF THE SINK TOP.
- SURFACE FINISH: MATTE SEALED

CODES+ STANDARDS:

- MEETS AND EXCEEDS APPLICABLE NATIONAL CODES AND STANDARDS **ADA** compliant when installed to specific requirements of this regulation

RECOMMENDED ITEMS:

- DRAIN OPTIONS: 7100-13, 7100-15
- VANITY OPTIONS:
 - NTR-ADA-37 METAL CONSOLE ADA COMPLIANT
 - NTR-FF-37 METAL CONSOLE WITH SHELF AND OPTIONAL TOWEL BAR
 - NTR-VS-37 WOOD VANITY WITH ONE DRAWER AND OPEN SHELF

CARE+ MAINTENANCE:

DUE TO THE NATURE OF CONCRETE MATERIAL, PLEASE DO NOT OVERTIGHTEN THE DRAIN AND OTHER HARDWARE AS IT MAY CAUSE THE SINK TO CHIP OR CRACK.

TO FIND OUT MORE ABOUT PROPER CARE AND MAINTENANCE OF CONCRETE [Click Here](#)

Unique Nature of Concrete



Our handcrafted concrete sinks celebrate their natural, unique character, featuring variations in color, texture, pores, lines, seams, and small surface holes caused by trapped air during casting - all of which are inherent and do not compromise durability. Made from traditional mixes of gravel, crushed stone, sand, and cement, each piece is individually crafted, resulting in one-of-a-kind products with organic, stone-like qualities and a rich patina, emphasizing the beauty of natural imperfections. These features, including visible aggregates, subtle cracks, and color and texture variations due to the mixing process and curing, are natural to concrete, highlighting its authentic and artisanal nature. Please consider your comfort level with these distinctive characteristics before placing an order, as each sink will be unique in nature and slightly different from the photography shown on our website.

