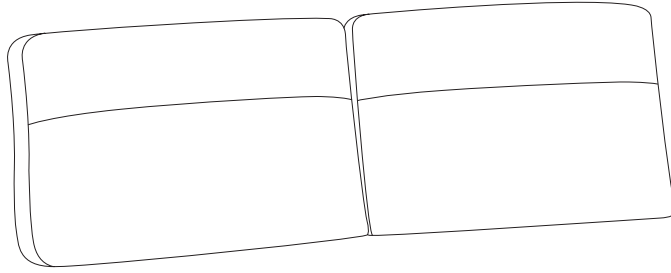
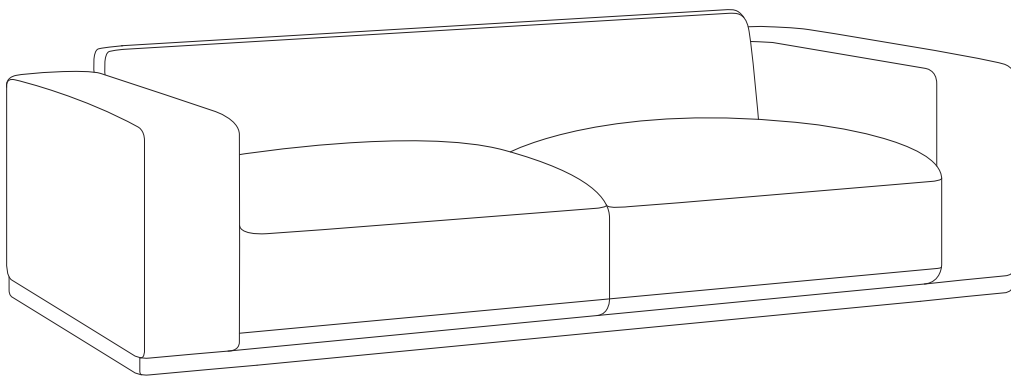


B x 2

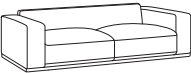


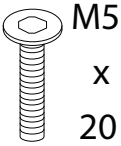
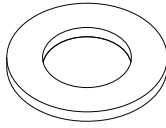
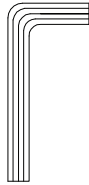


A

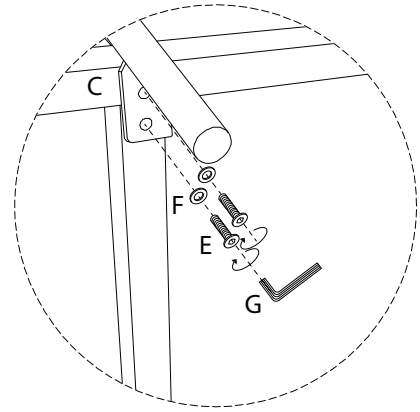
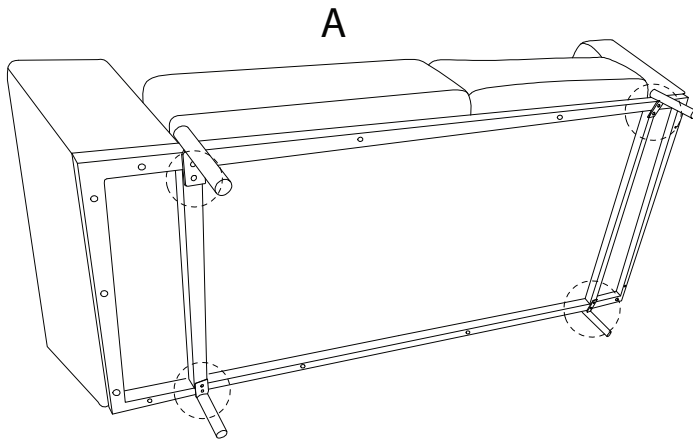
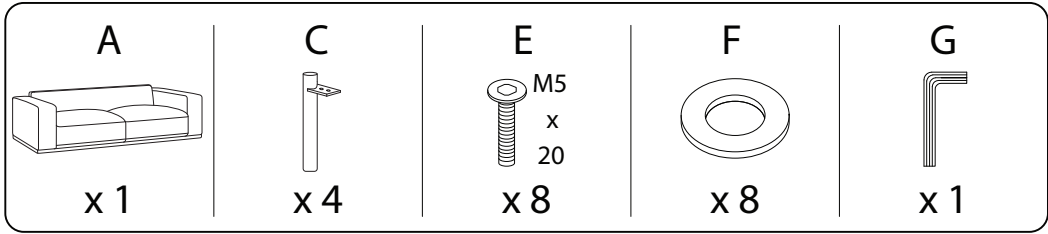


C x 4



A	B	C	E	F	G
			 M5 x 20		
x 1	x 2	x 4	x 8	x 8	x 1

1



2

