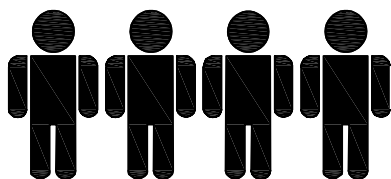
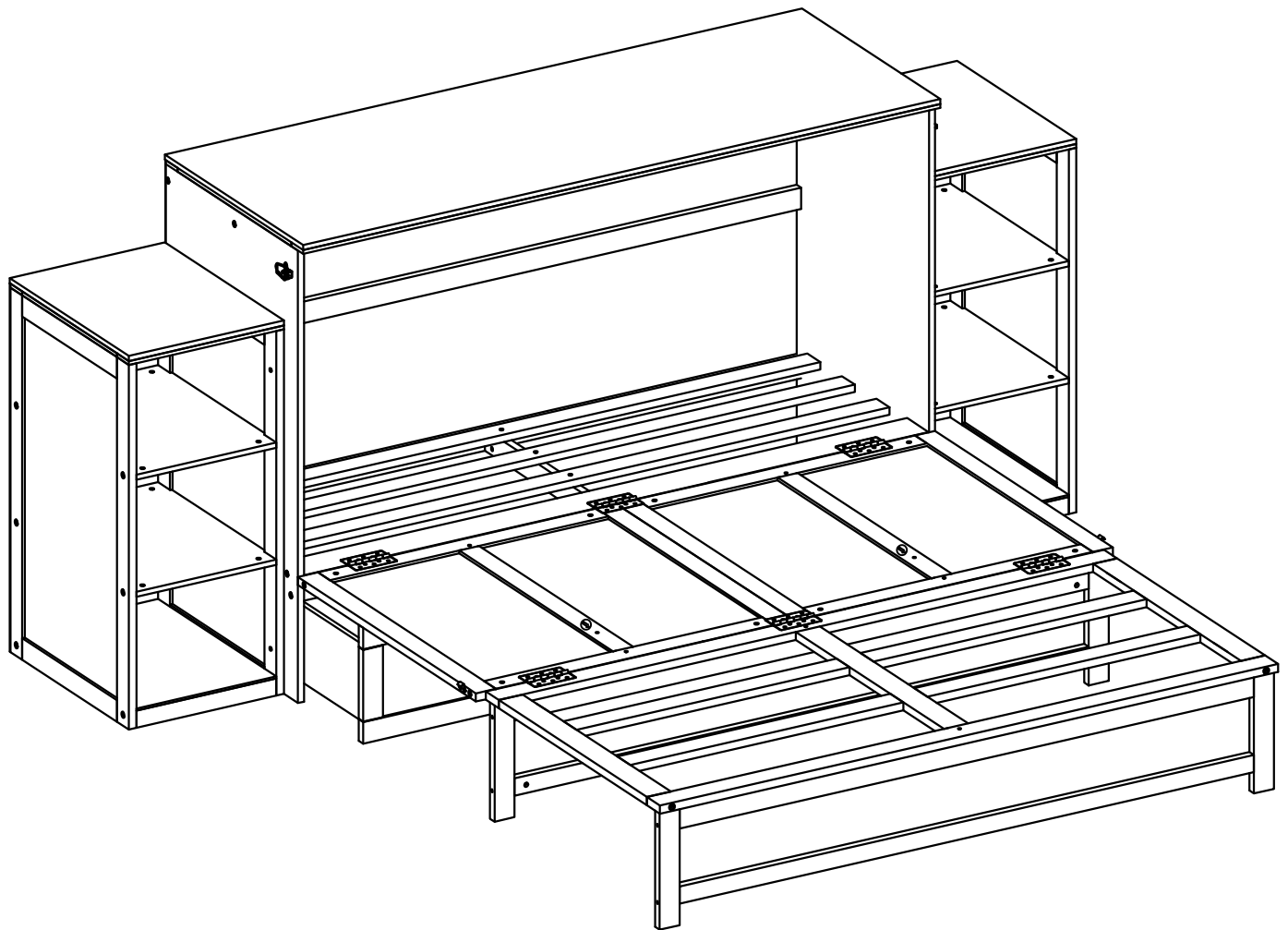


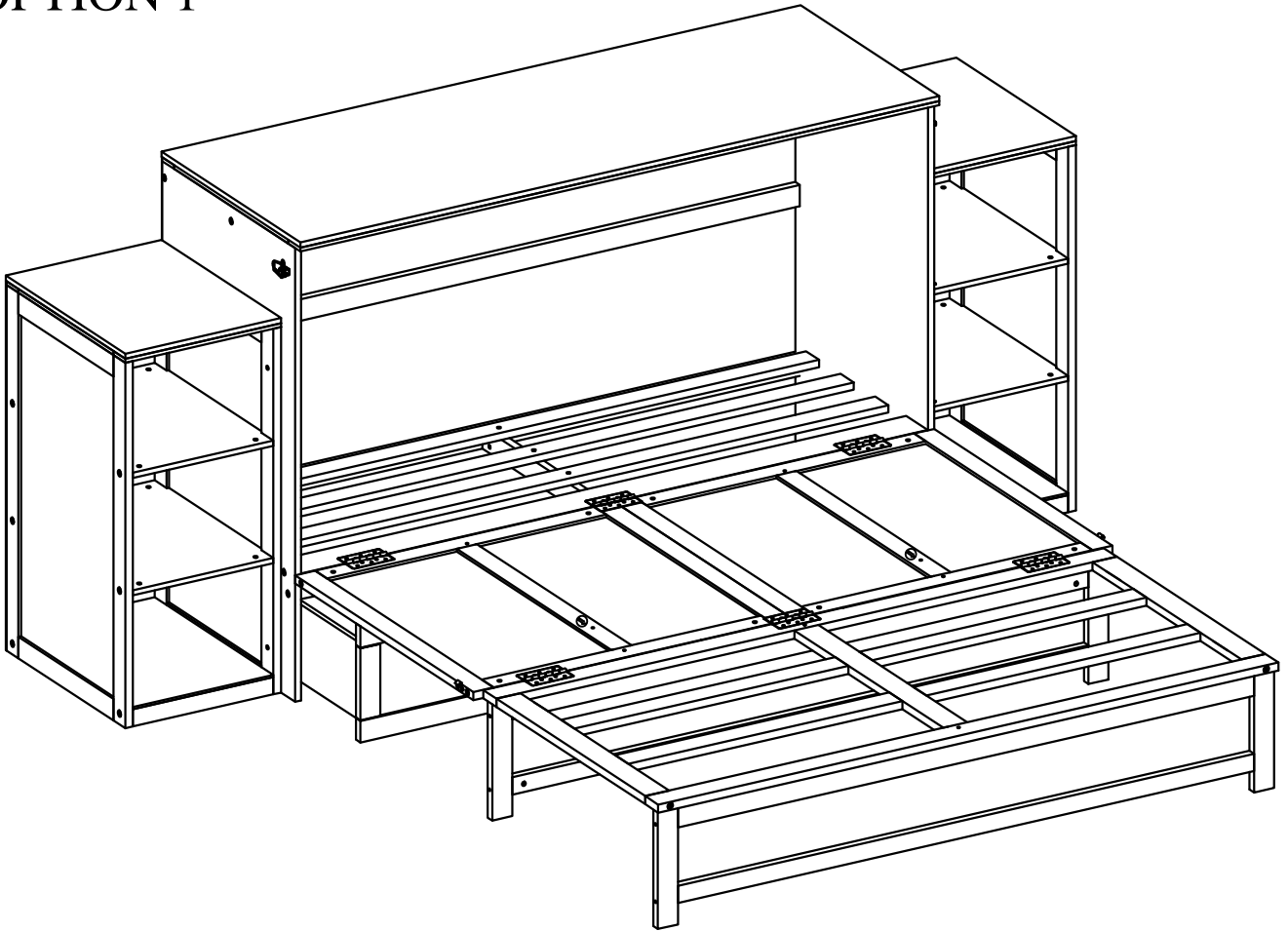
# ASSEMBLY INSTRUCTION

## SKU CODE: (MH00003)

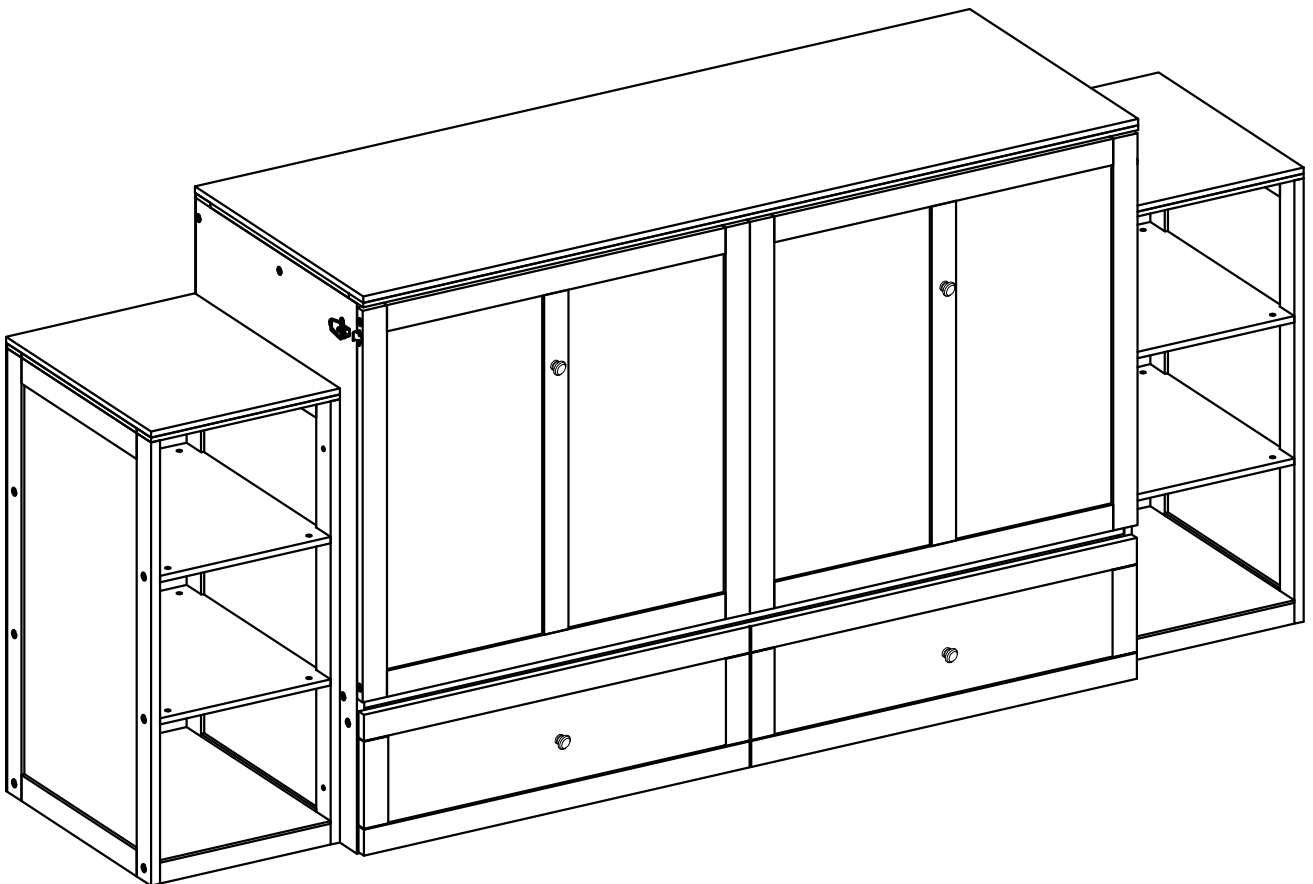


Four people are required to assemble and move this model.

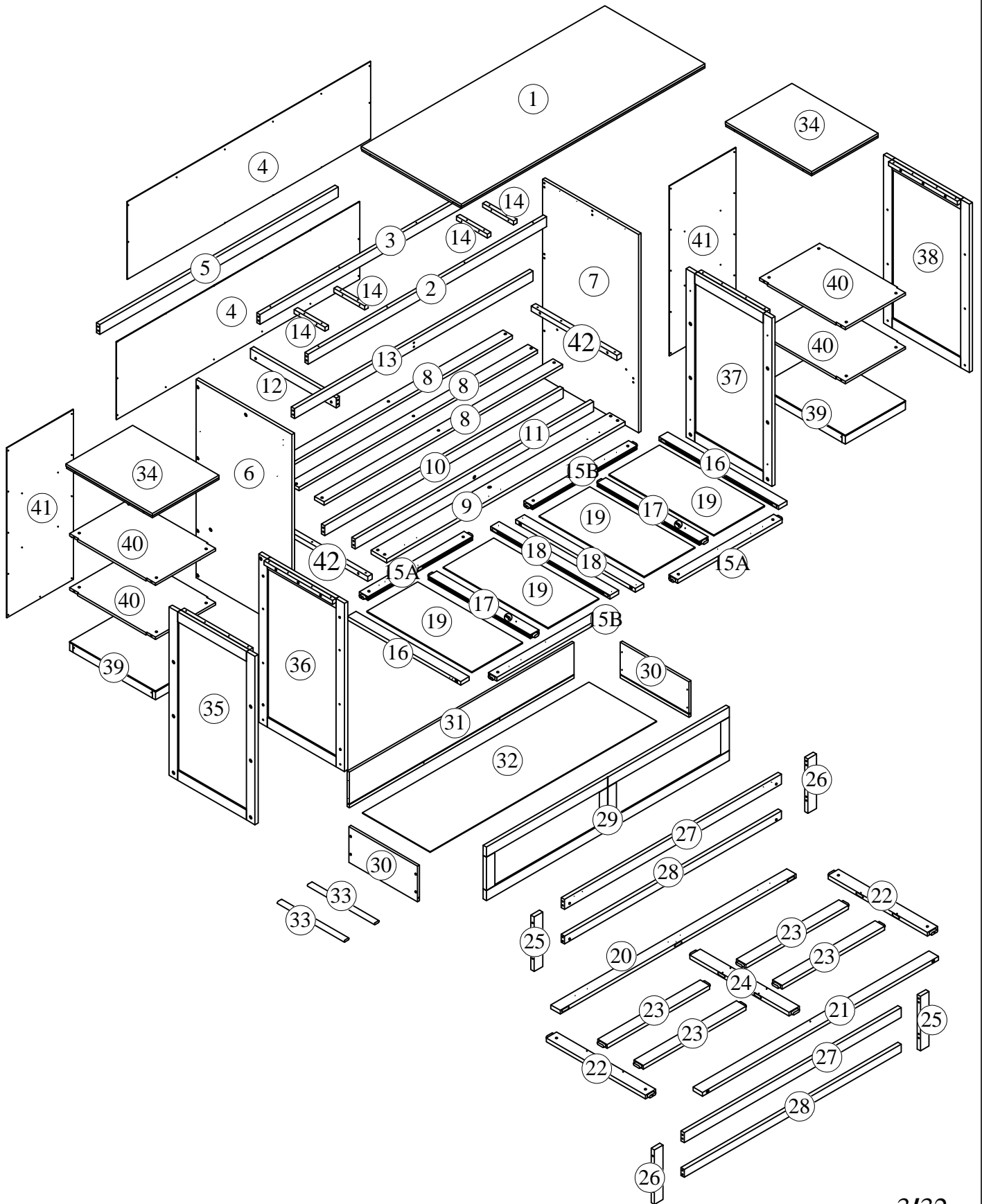
# OPTION 1



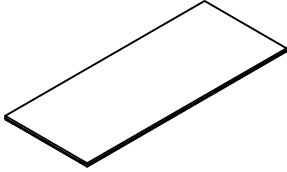
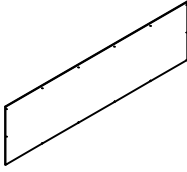
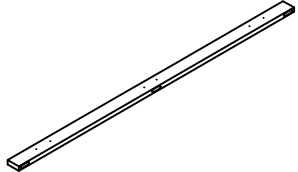
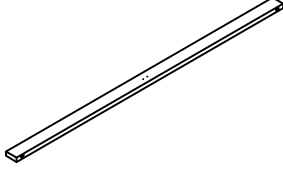
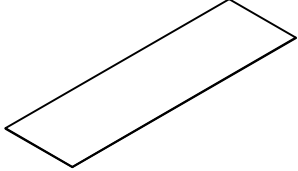
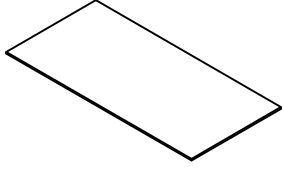
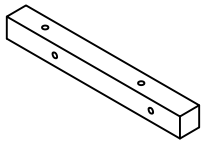
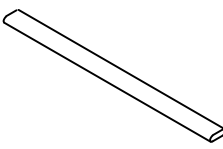
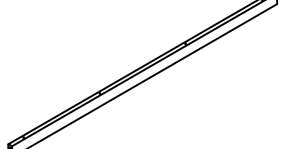
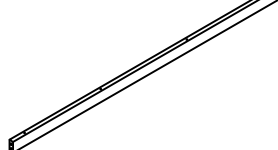
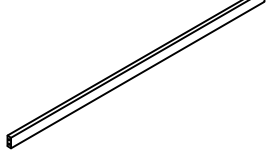
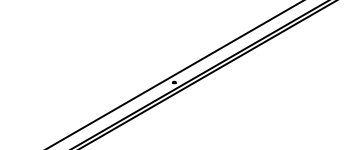
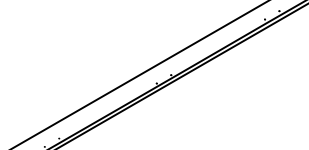
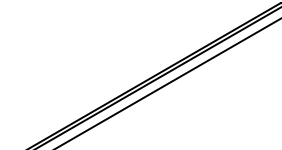
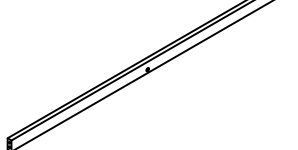
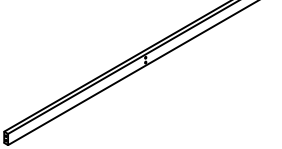
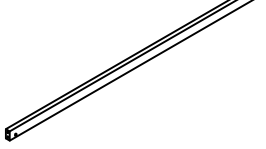
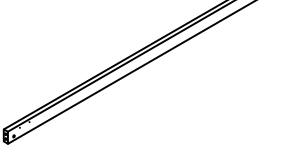
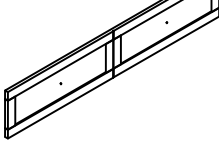
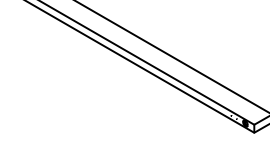
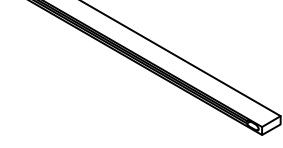
# OPTION 2



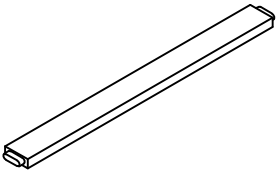
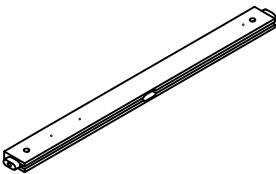
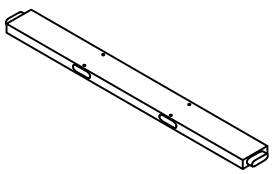
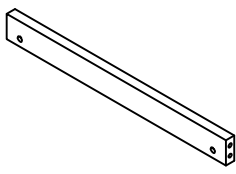
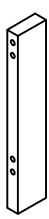

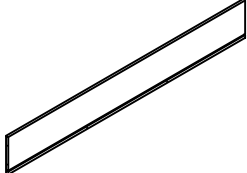
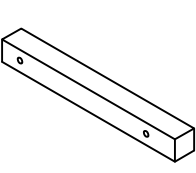
# ASSEMBLY INSTRUCTION





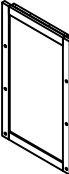
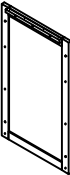


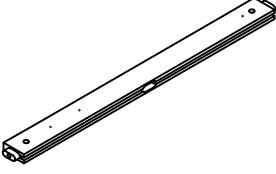
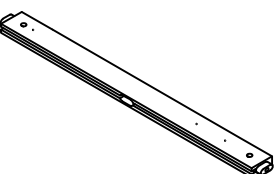
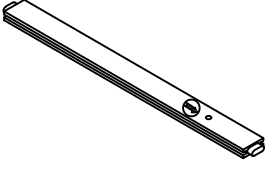
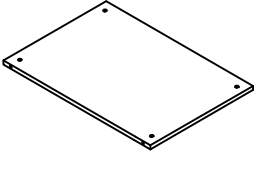
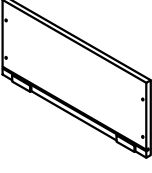
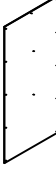
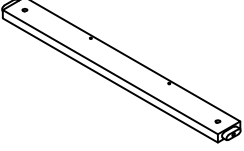
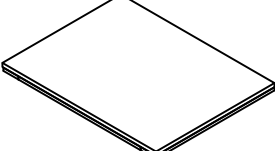
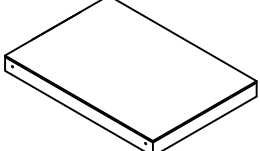
# Part List (Box 1-MH00003.1)

<p>1</p>  <p>Top panel-1pc</p>	<p>4</p>  <p>Back panel-2pcs</p>	<p>20</p>  <p>Inner outer frame bar-1pc</p>
<p>21</p>  <p>Outer frame bar-1pc</p>	<p>32</p>  <p>Drawer bottom panel-1pc</p>	<p>19</p>  <p>Middle frame panel-4pcs</p>
<p>14</p>  <p>Wooden block-4pcs</p>	<p>33</p>  <p>Drawer support bar-2pcs</p>	<p>2</p>  <p>Top front cross bar-1pc</p>
<p>3</p>  <p>Top back cross bar-1pc</p>	<p>5</p>  <p>Back middle cross bar-1pc</p>	<p>8</p>  <p>Slat-3pcs</p>
<p>9</p>  <p>Slat-1pc</p>	<p>10</p>  <p>Bottom cross bar-1pc</p>	<p>11</p>  <p>Front under cross bar-1pc</p>
<p>13</p>  <p>Center vertical bar-1pc</p>	<p>28</p>  <p>Lower leg cross bar-2pcs</p>	<p>27</p>  <p>Upper leg cross bar-2pcs</p>
<p>29</p>  <p>Drawer front frame-1pc</p>	<p>16</p>  <p>Outer middle frame bar-2pcs</p>	<p>18</p>  <p>Inner middle frame bar-2pcs</p>




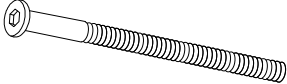
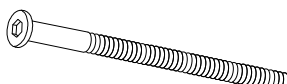


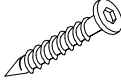
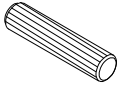
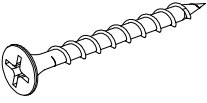

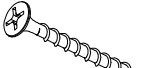
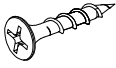
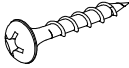
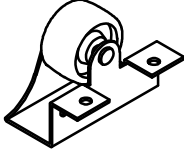
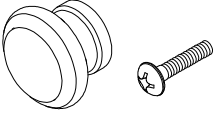
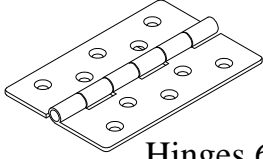
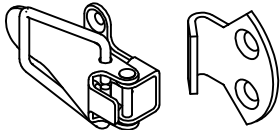
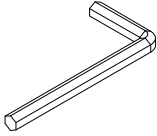
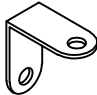
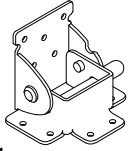
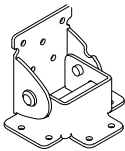

# Part List (Box 1-MH00003.1)

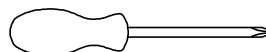
<p>23</p>  <p>Middle outer frame cross bar-4pcs</p>	<p>15A</p>  <p>Middle frame cross bar-1pc</p>	<p>24</p>  <p>Middle vertical bar-1pc</p>
<p>12</p>  <p>Center vertical bar-1pc</p>	<p>25</p>  <p>Left leg-2pcs</p>	<p>26</p>  <p>Right leg-2pcs</p>
<p>31</p>  <p>Drawer back panel-1pc</p>	<p>42</p>  <p>Wooden block-4pcs</p>	

# Part List (Box 2-MH00003.2) and hardware box

<p>6</p>  <p>Left side panel-1pc</p>	<p>7</p>  <p>Right side panel-1pc</p>	<p>35</p>  <p>Cabinet left panel-1pc</p>
<p>36</p>  <p>Cabinet right panel-1pc</p>	<p>37</p>  <p>Cabinet left panel-1pc</p>	<p>38</p>  <p>Cabinet right panel-1pc</p>
<p>15A</p>  <p>Middle frame cross bar-1pc</p>	<p>15B</p>  <p>Middle frame cross bar-2pcs</p>	<p>17</p>  <p>Central middle frame bar-2pcs</p>
<p>40</p>  <p>Tiered shelf-4pcs</p>	<p>30</p>  <p>Drawer side panel-2pcs</p>	<p>41</p>  <p>Cabinet back panel-2pcs</p>
<p>22</p>  <p>Outer frame vertical bar-2pcs</p>	<p>34</p>  <p>Cabinet top panel-2pcs</p>	<p>39</p>  <p>Cabinet bottom panel-2pcs</p>

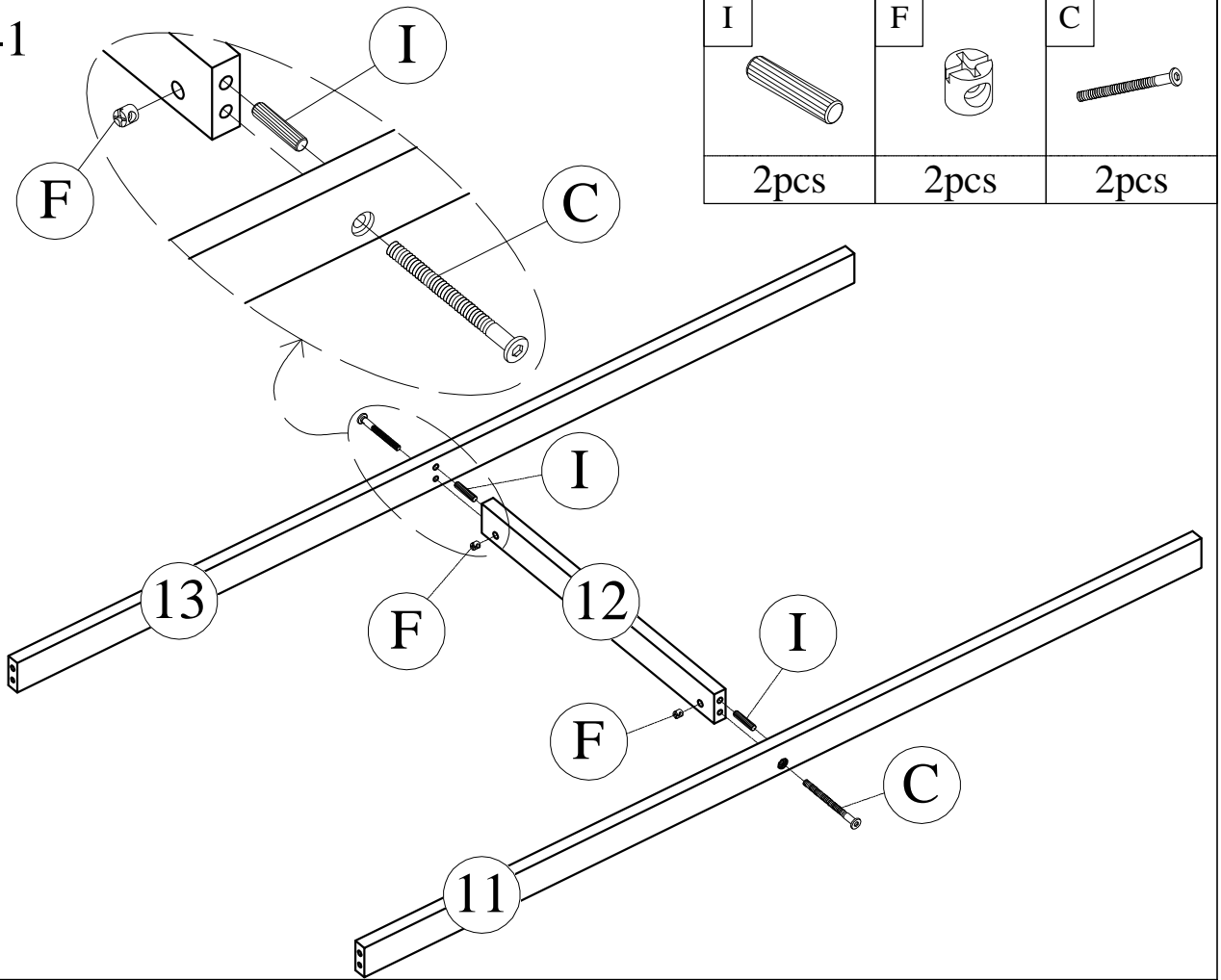
# Hardware List (Box 2-MH00003)

<p><b>A</b></p>  <p>D13 x Ø1/4" x 30 mm Hex-Head bolts 4pcs</p>	<p><b>B</b></p>  <p>D13 x Ø1/4" x 50 mm Hex-Head bolts 12pcs</p>	<p><b>C</b></p>  <p>D13 x Ø1/4" x 60 mm Hex-Head bolts 18pcs</p>
<p><b>D</b></p>  <p>D13 x Ø1/4" x 90 mm Hex-Head bolts 12pcs</p>	<p><b>E</b></p>  <p>D13 x Ø1/4" x 100 mm Hex-Head bolts 8pcs</p>	<p><b>F</b></p>  <p>Ø1/4" x 12 mm Horizontal-Hole bolts 50pcs</p>
<p><b>G</b></p>  <p>D15 x Ø1/4" x 15 mm T-nut - 4pcs Écrou en T - 4 pièces</p>	<p><b>H</b></p>  <p>D13 x Screws 1/4" x30 - 17pcs</p>	<p><b>I</b></p>  <p>Ø8 x 14 mm Wood dowel 16pcs</p>
<p><b>J</b></p>  <p>M4 x 50 mm Wood Screws 8pcs</p>	<p><b>K</b></p>  <p>M4 x 30 mm Wood Screws 45pcs</p>	<p><b>L</b></p>  <p>M4 x 25 mm Wood Screws 10pcs</p>
<p><b>M</b></p>  <p>M3.5 x 15 mm Wood Screws 72pcs</p>	<p><b>N</b></p>  <p>M4 x 15 mm Wood Screws 130pcs</p>	<p><b>O</b></p>  <p>Wheels - 4pcs</p>
<p><b>P</b></p>  <p>Wood Handle - 4pcs</p>	<p><b>Q</b></p>  <p>Hinges 6pcs</p>	<p><b>R</b></p>  <p>Latch Clip bumper - 2pcs</p>
<p><b>W</b></p>  <p>Allen Key 4pcs</p>	<p><b>T</b></p>  <p>25x25x12x1.2 mm L Angle pat- 2pcs</p>	<p><b>U</b></p>  <p>Folding leg support set with lock - 2pcs</p>
<p><b>V</b></p>  <p>Folding leg bracket - 1pc</p>	<p><b>X</b></p>  <p>M4x10x1 mm Washer - 6pcs</p>	

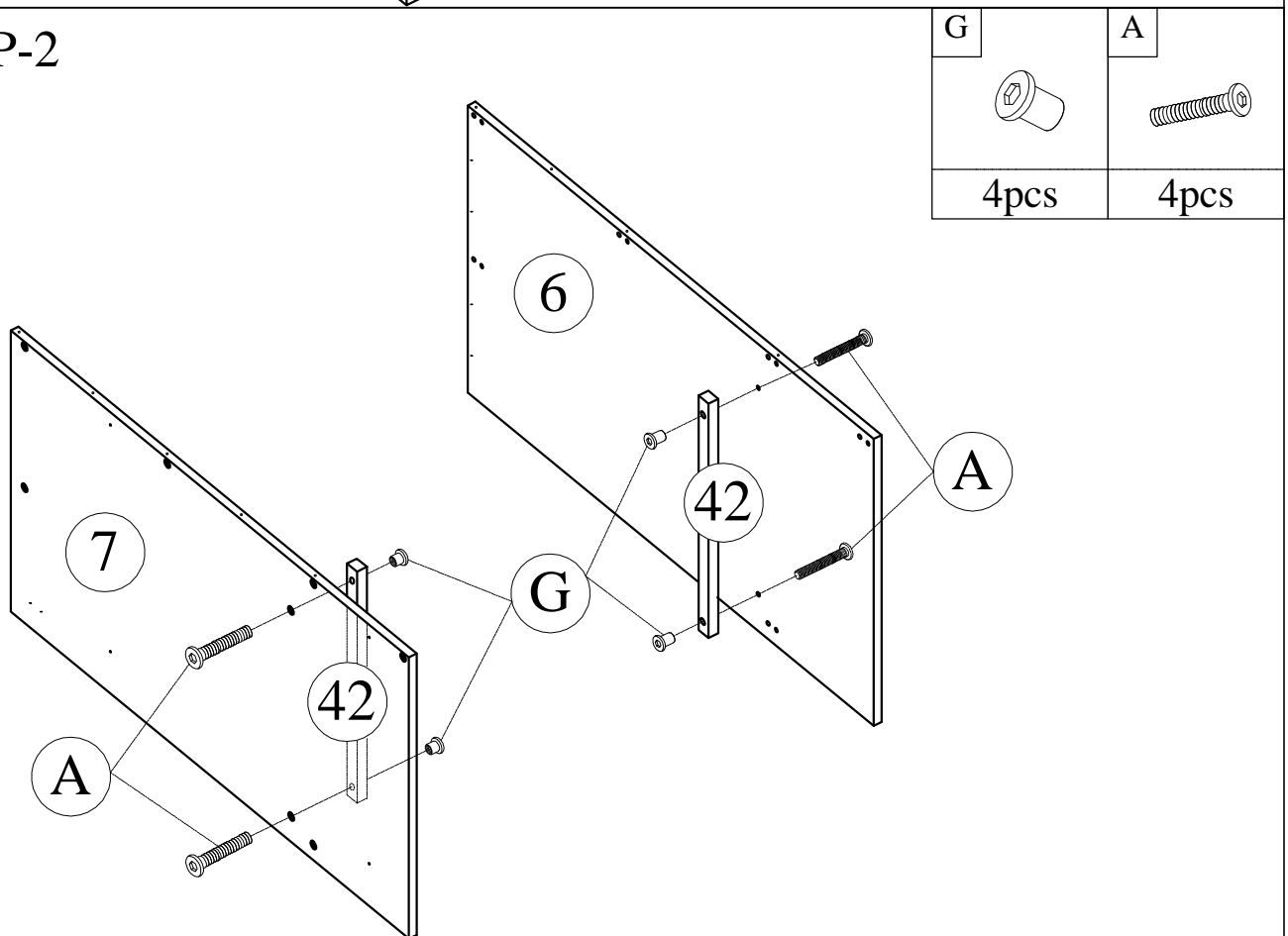


Assembly Tools Required (Not Included)  
Outils d'assemblage requis (non inclus)

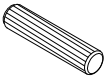


# STEP-1

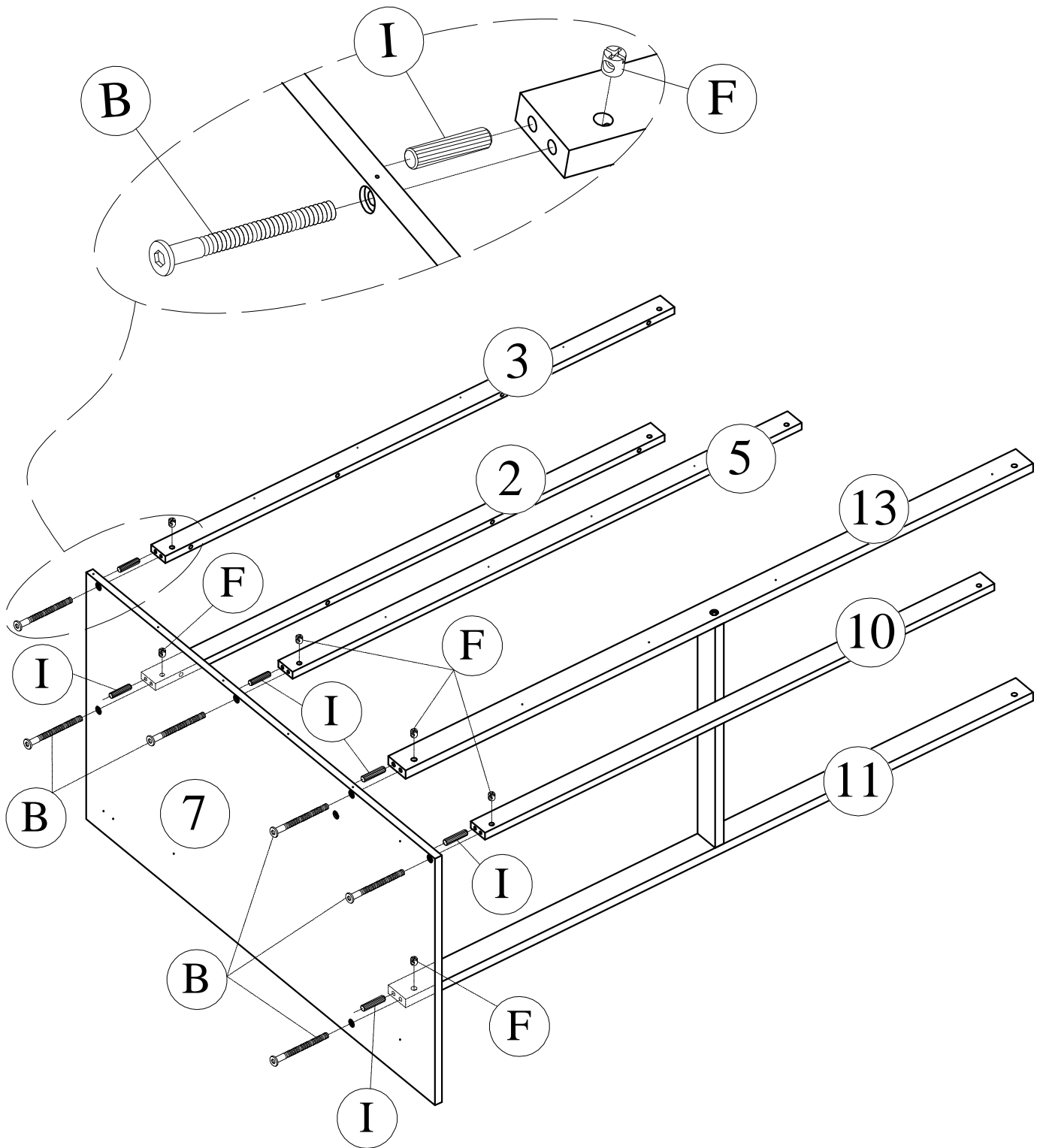


# STEP-2

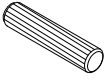




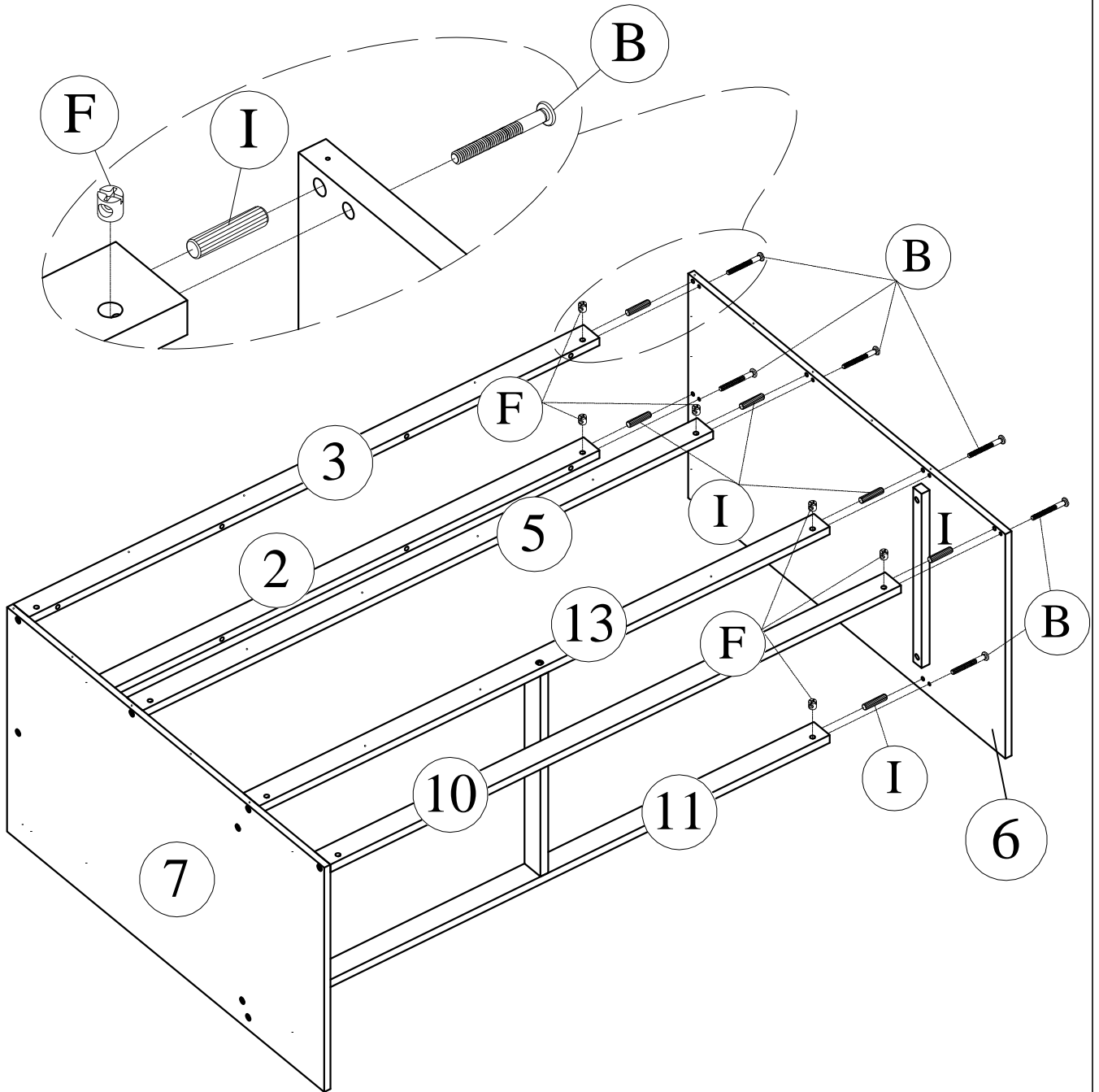
# STEP-3

I	F	B
		
6pcs	6pcs	6pcs

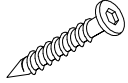



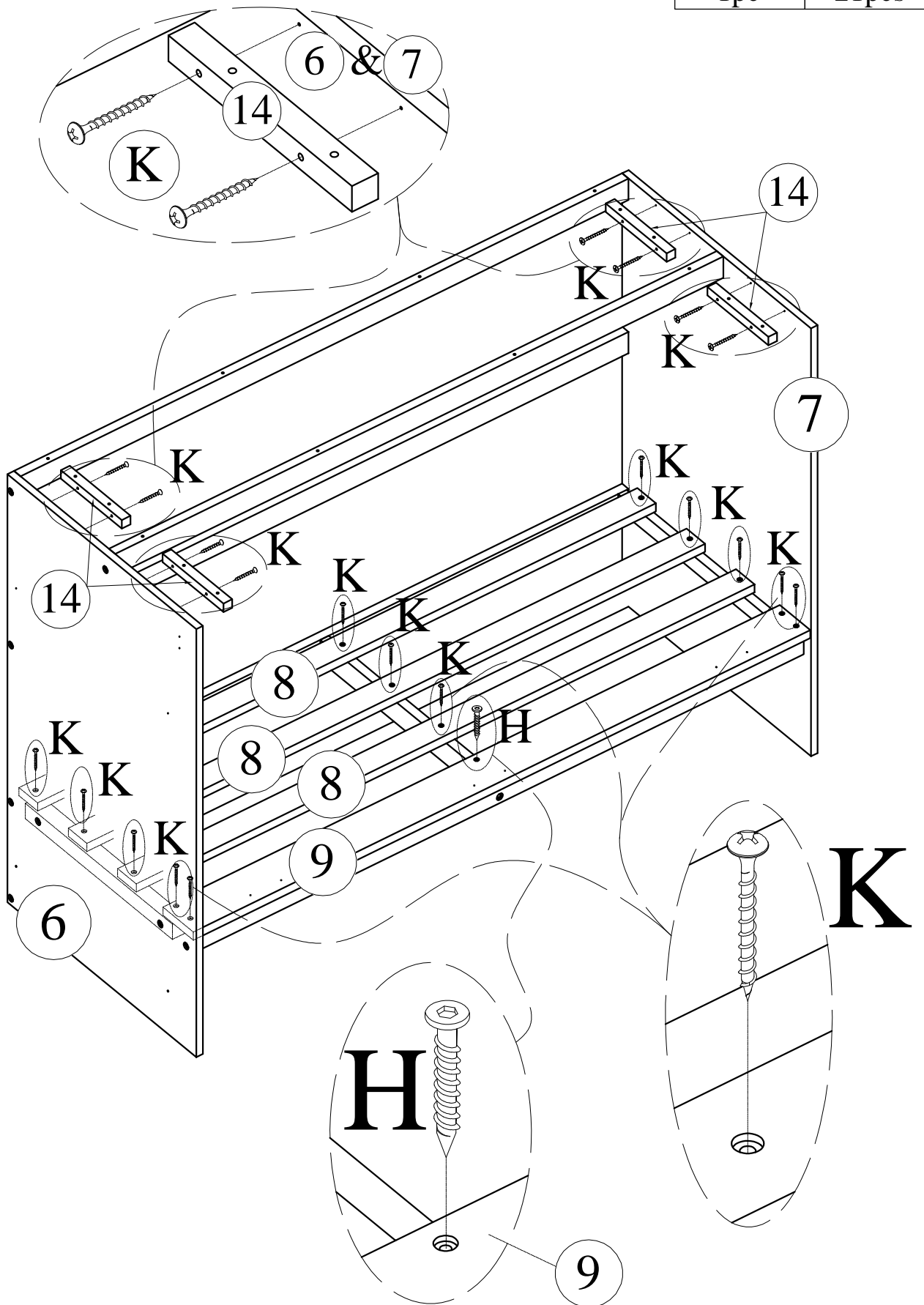
# STEP-4

<p>I</p> 	<p>F</p> 	<p>B</p> 
<p>6pcs</p>	<p>6pcs</p>	<p>6pcs</p>



# STEP-5

H	K
	
1pc	21pcs

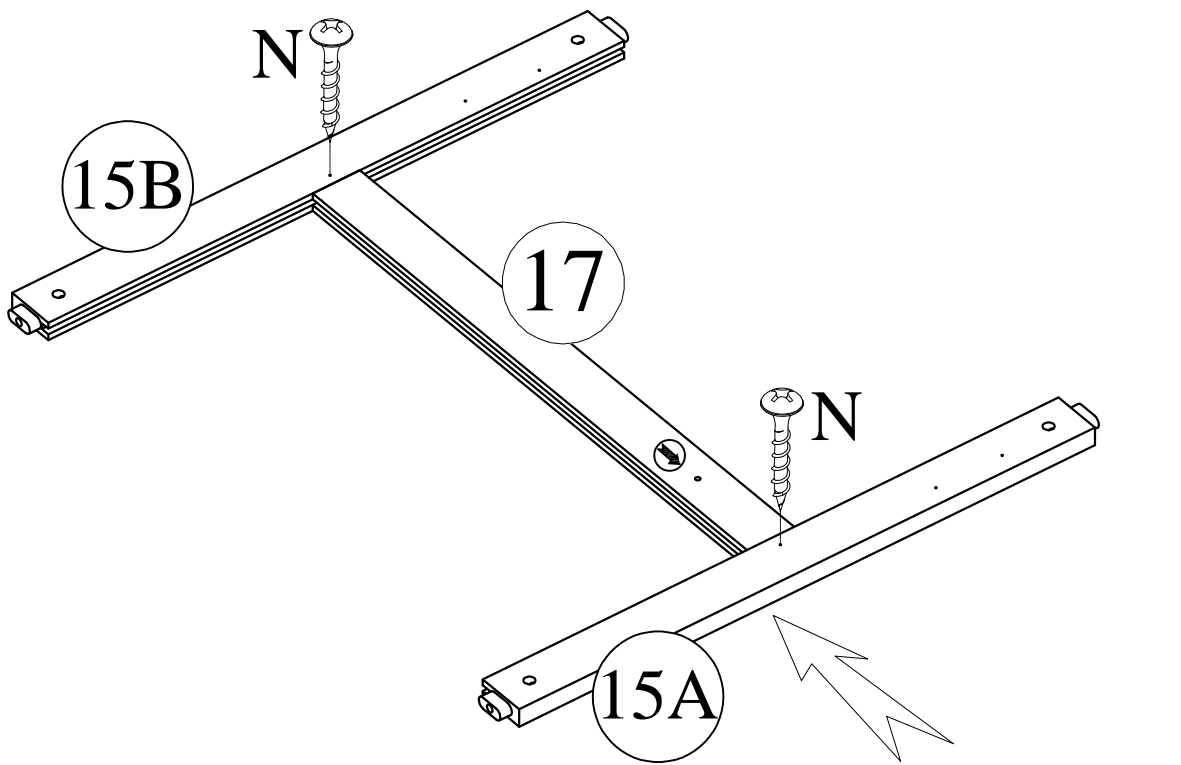
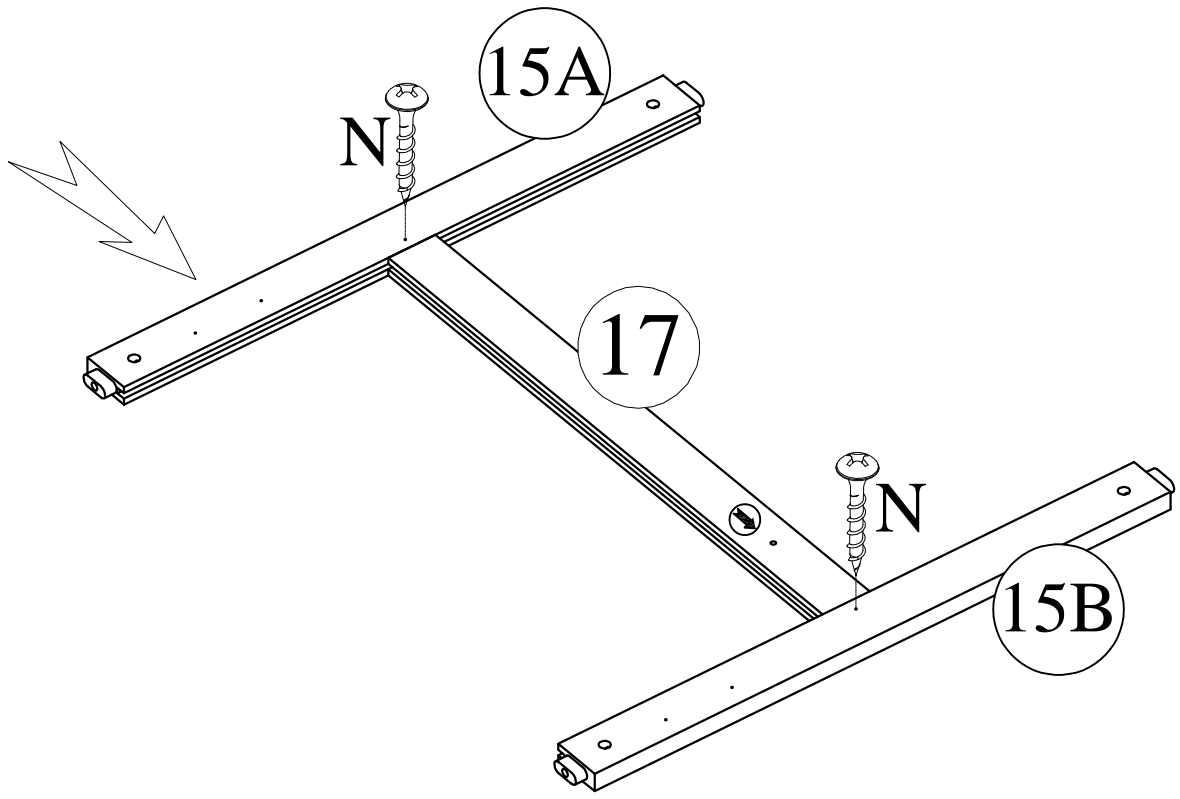


# STEP-6

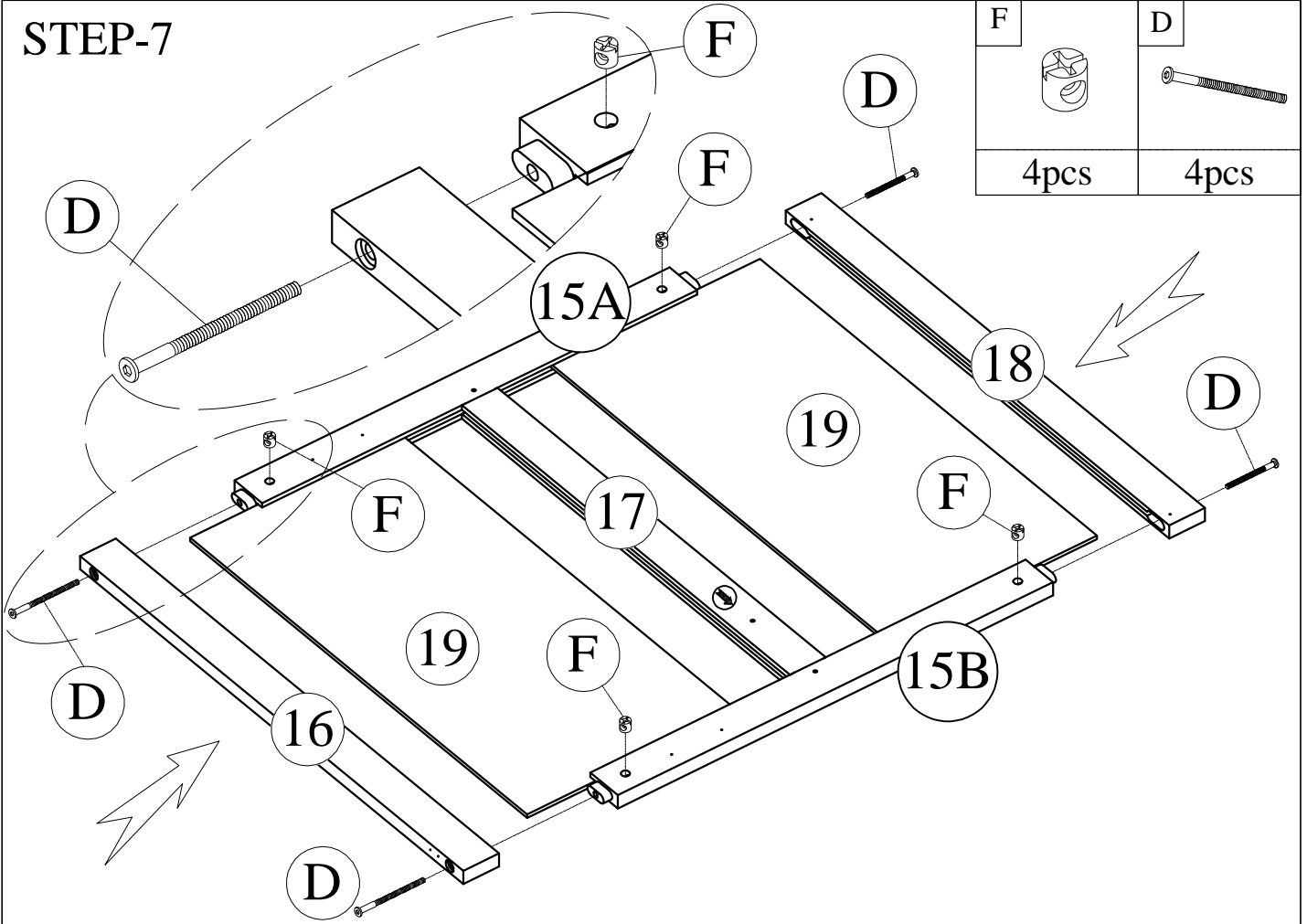
N



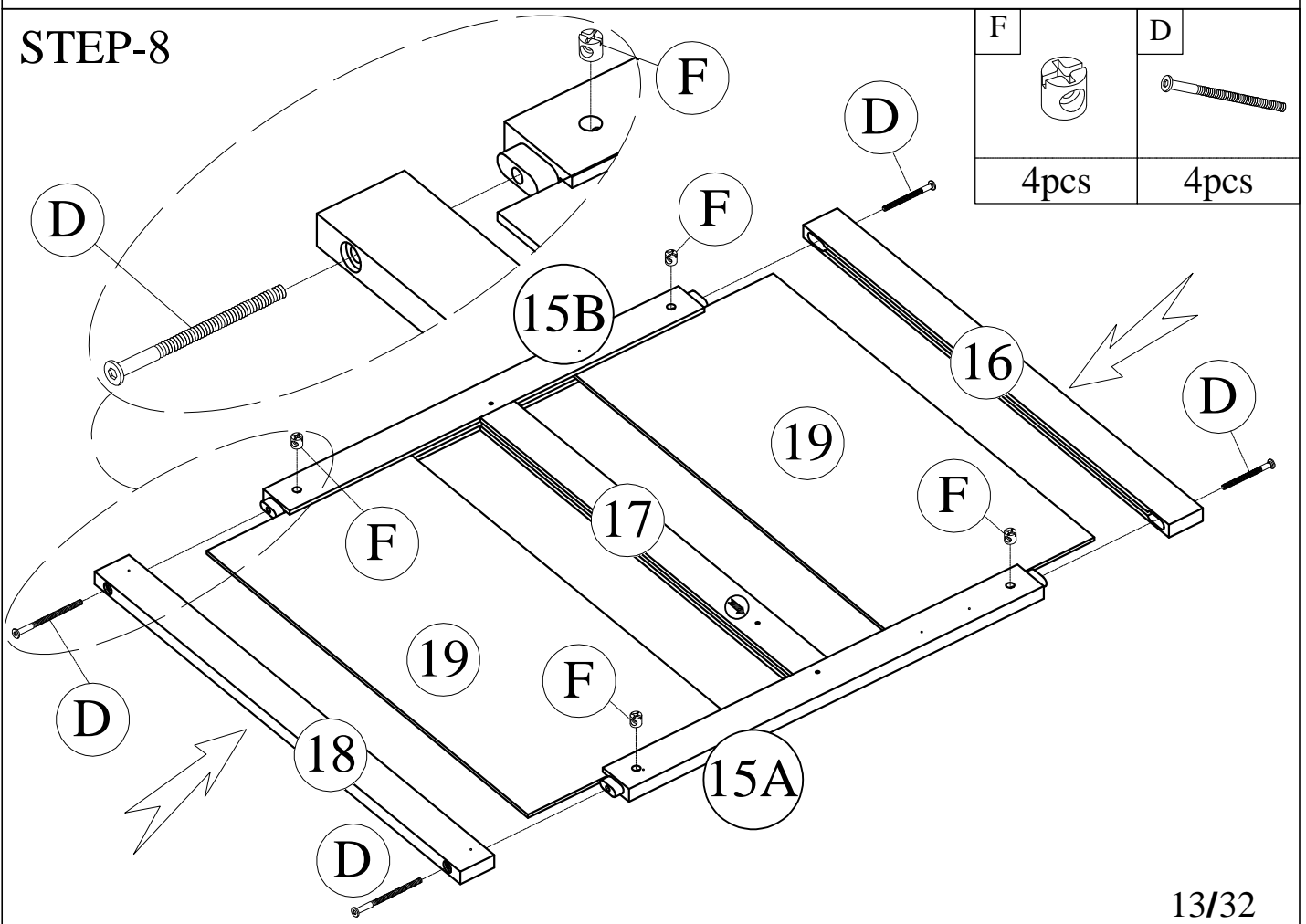
4pcs



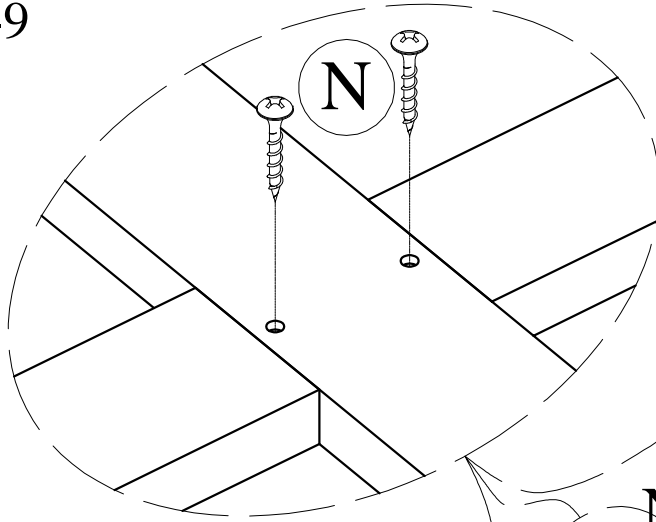
# STEP-7

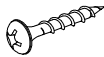


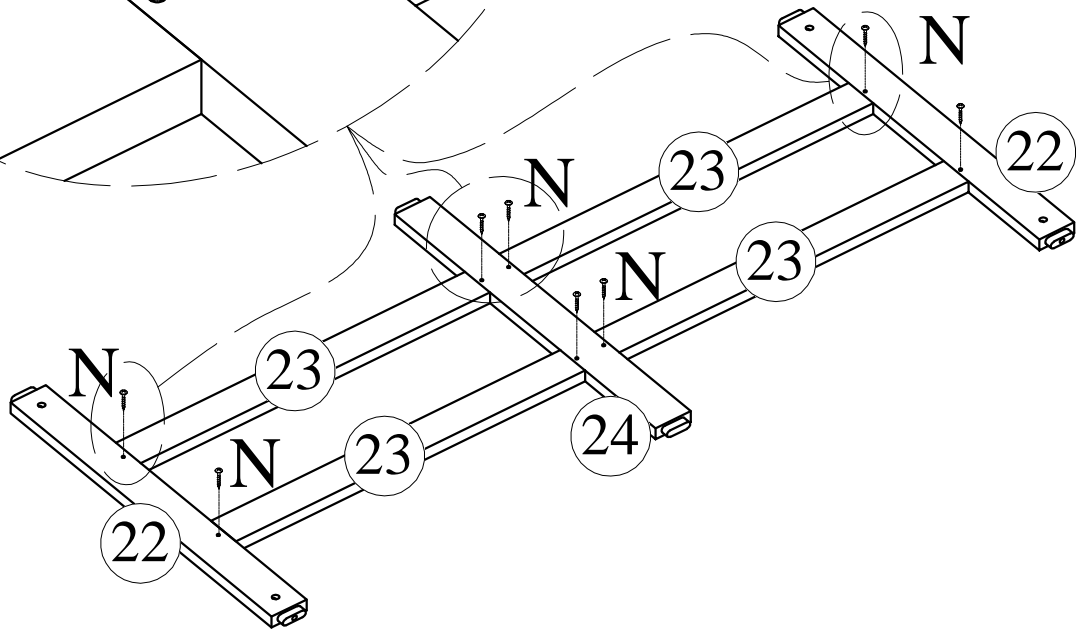
# STEP-8



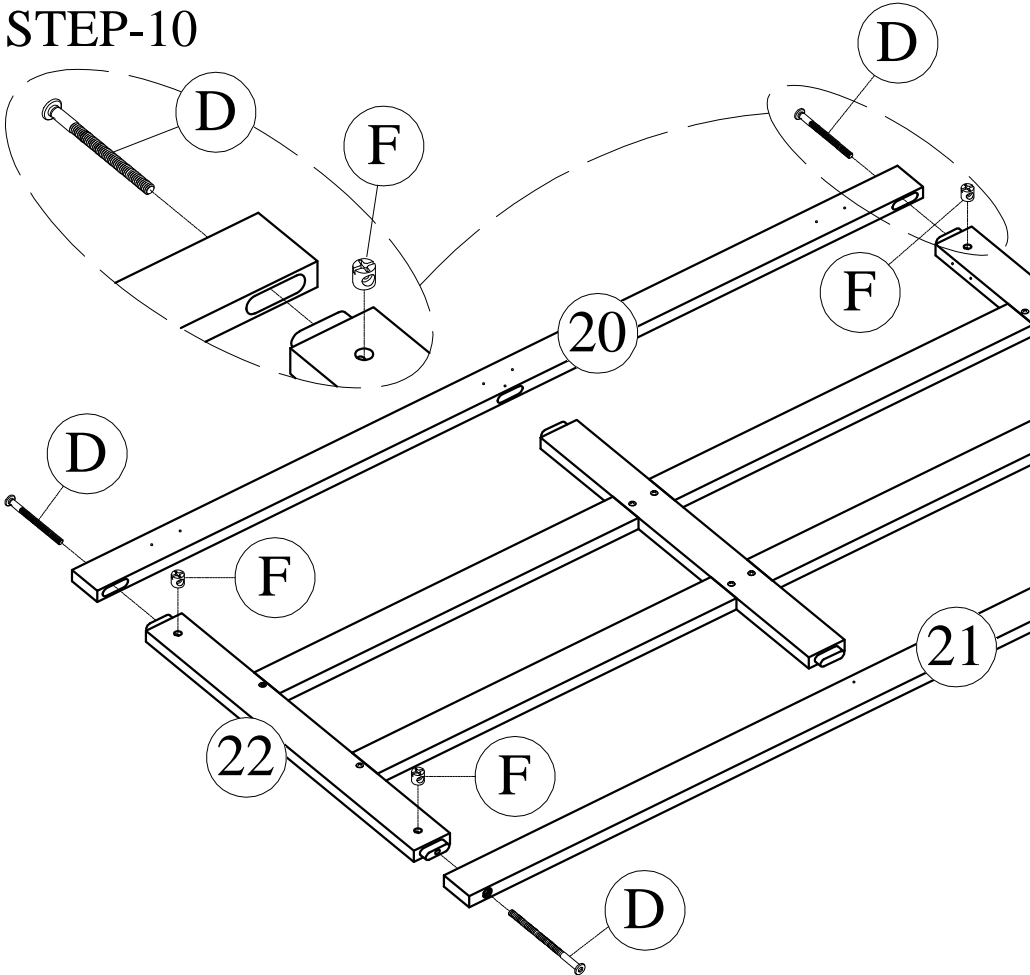
# STEP-9





N

8pcs



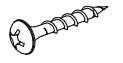
# STEP-10



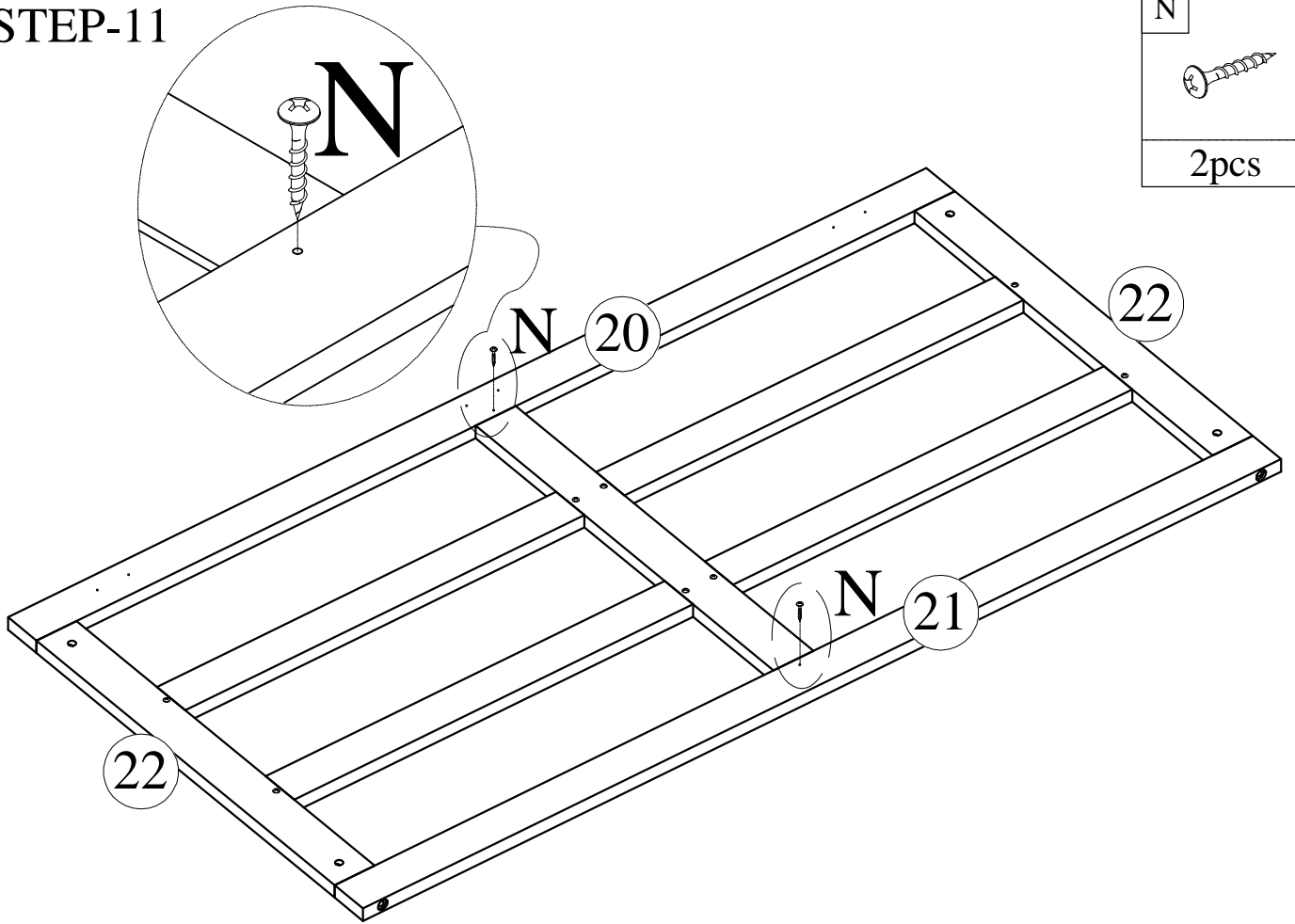
F	D
	
4pcs	4pcs

# STEP-11

N



2pcs



# STEP-12

F

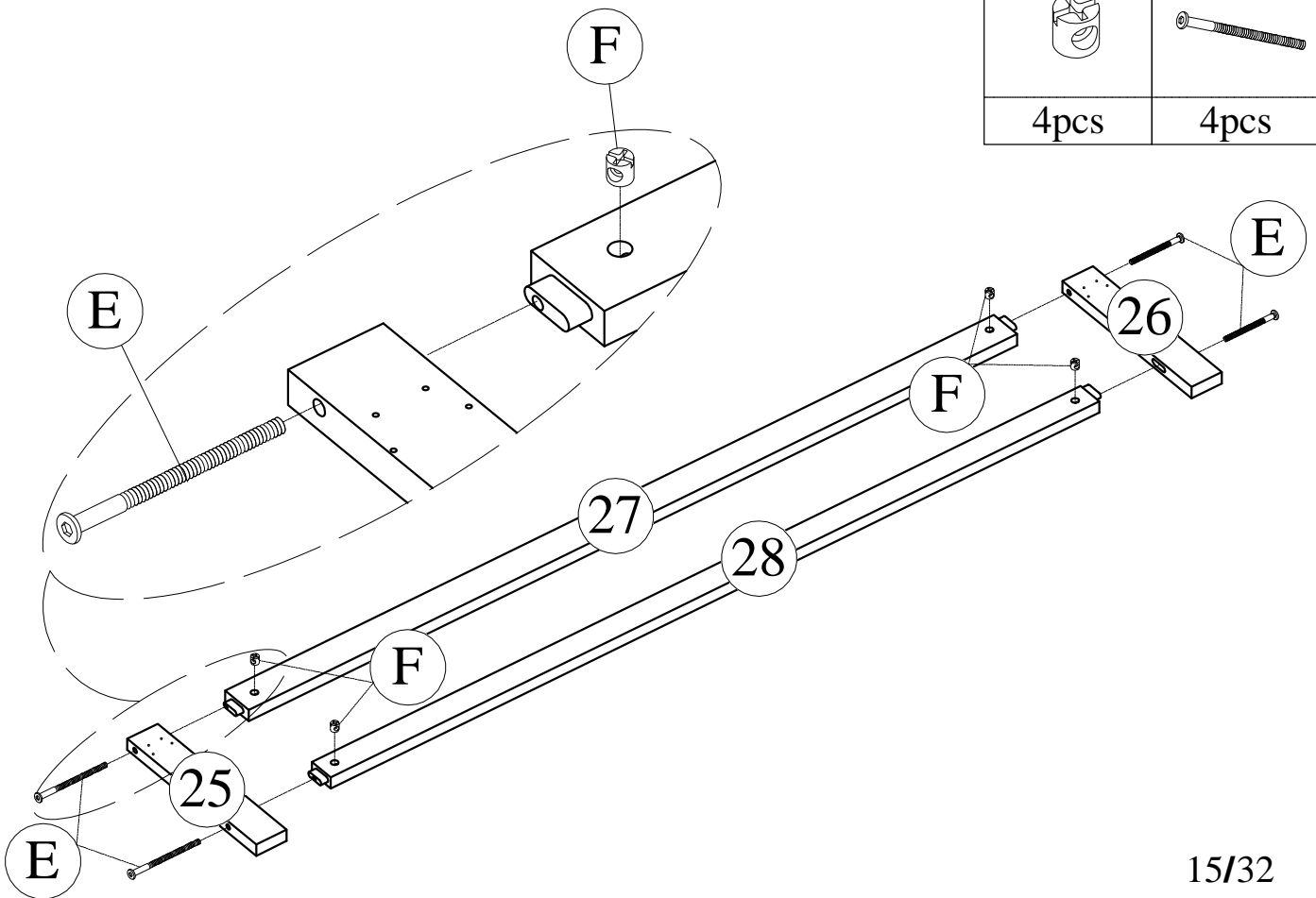


4pcs



E

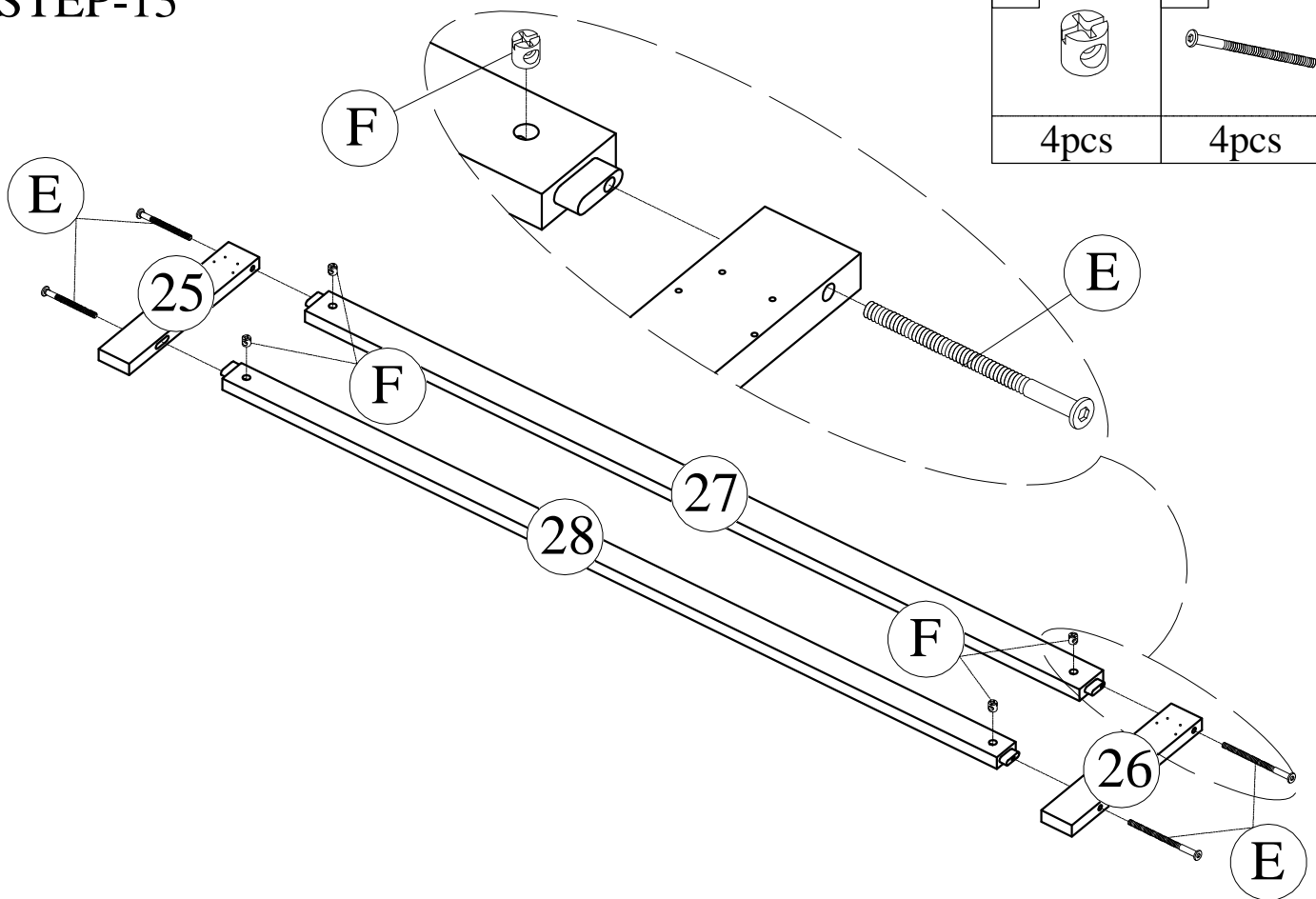


4pcs



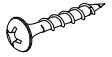


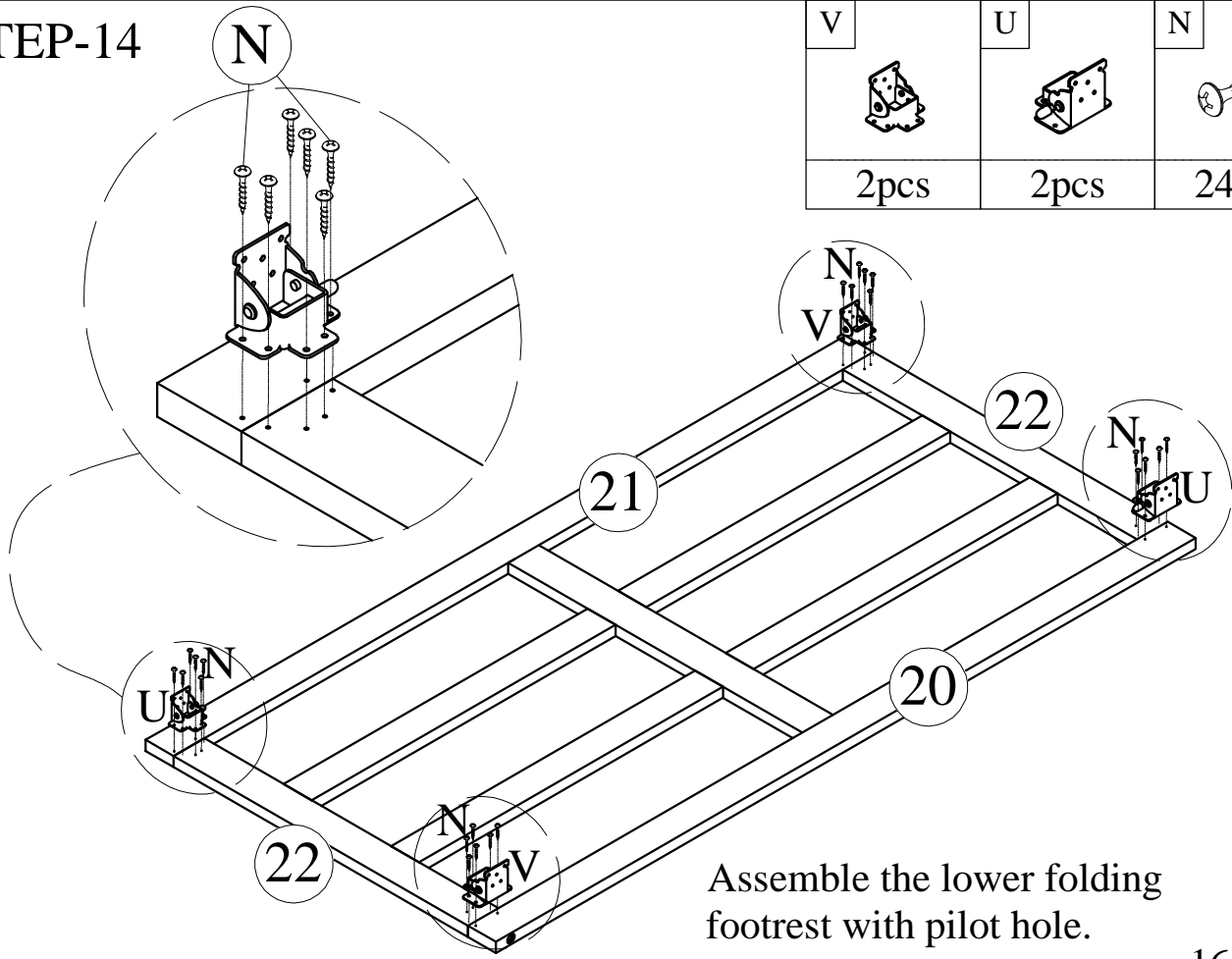
# STEP-13

F		E	
	4pcs		4pcs



# STEP-14

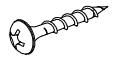
V	U	N
		
2pcs	2pcs	24pcs



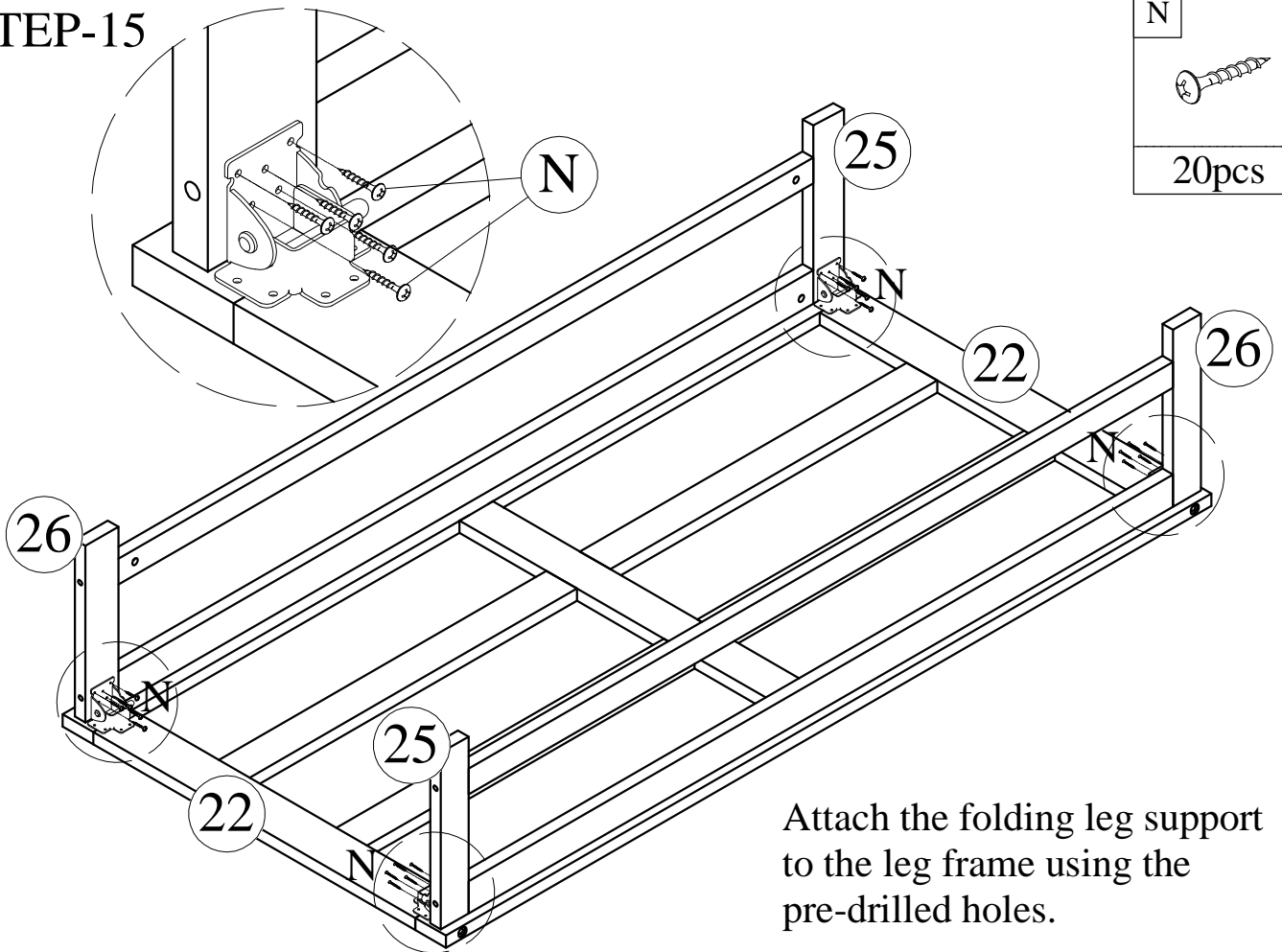
Assemble the lower folding footrest with pilot hole.

# STEP-15

N



20pcs



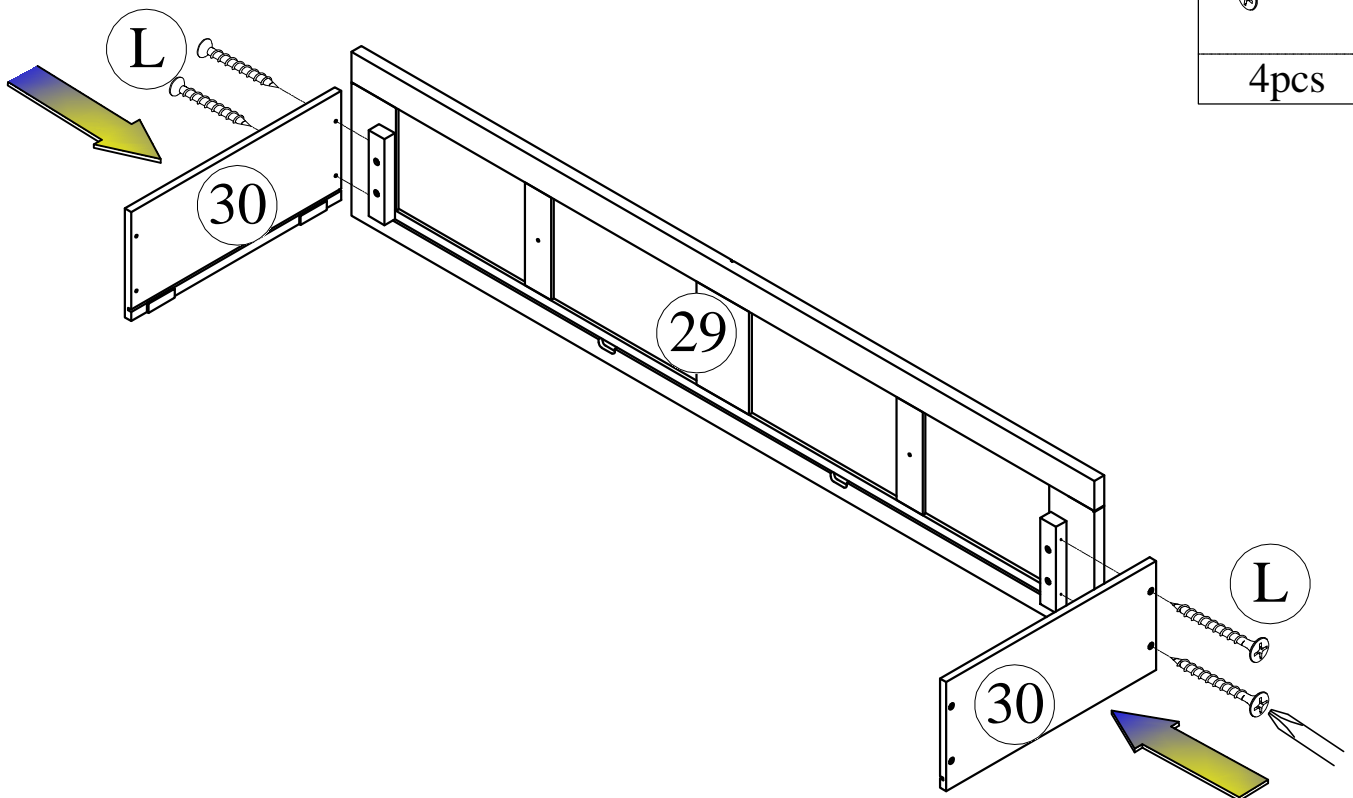
Attach the folding leg support to the leg frame using the pre-drilled holes.

# STEP-16

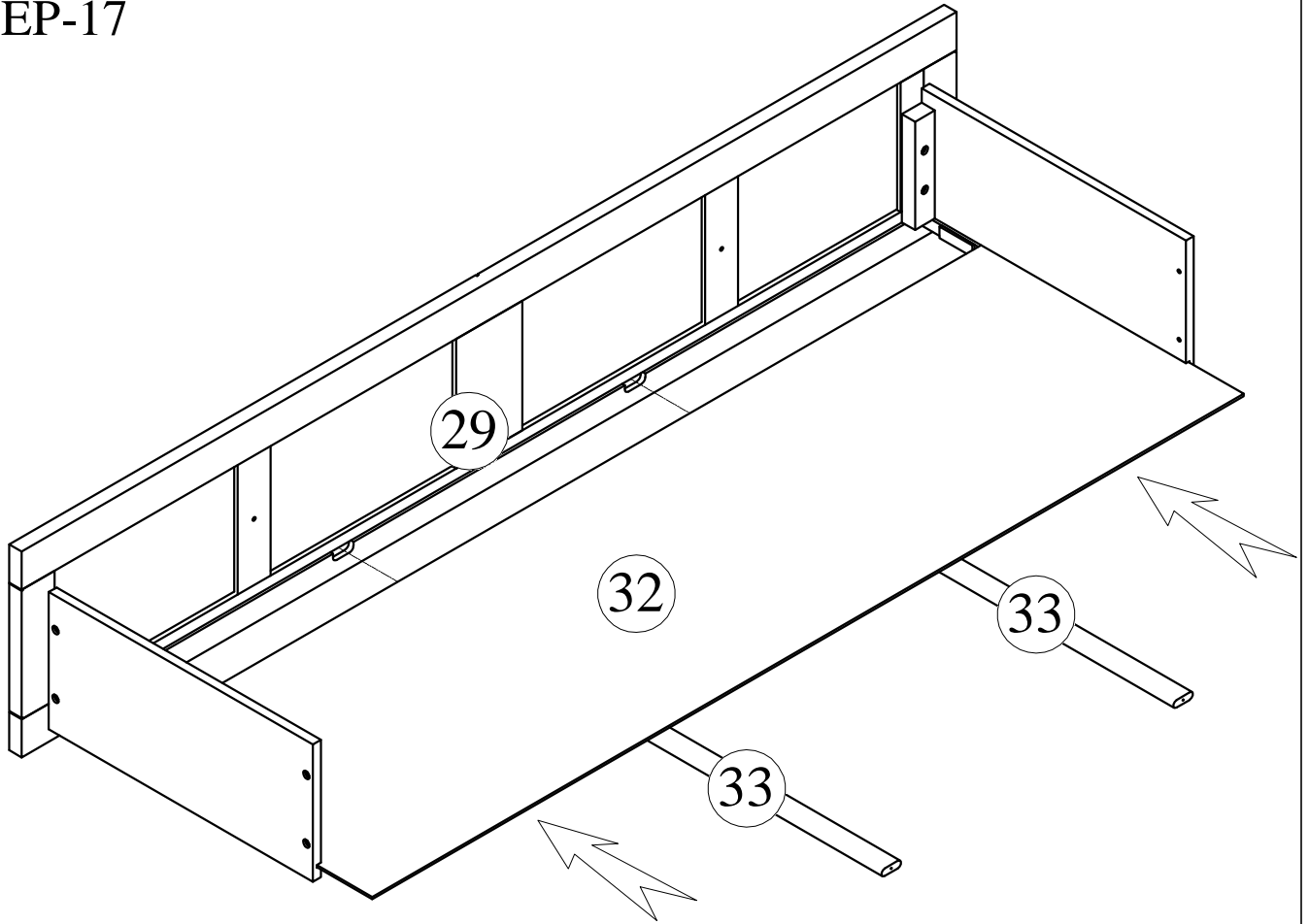
L



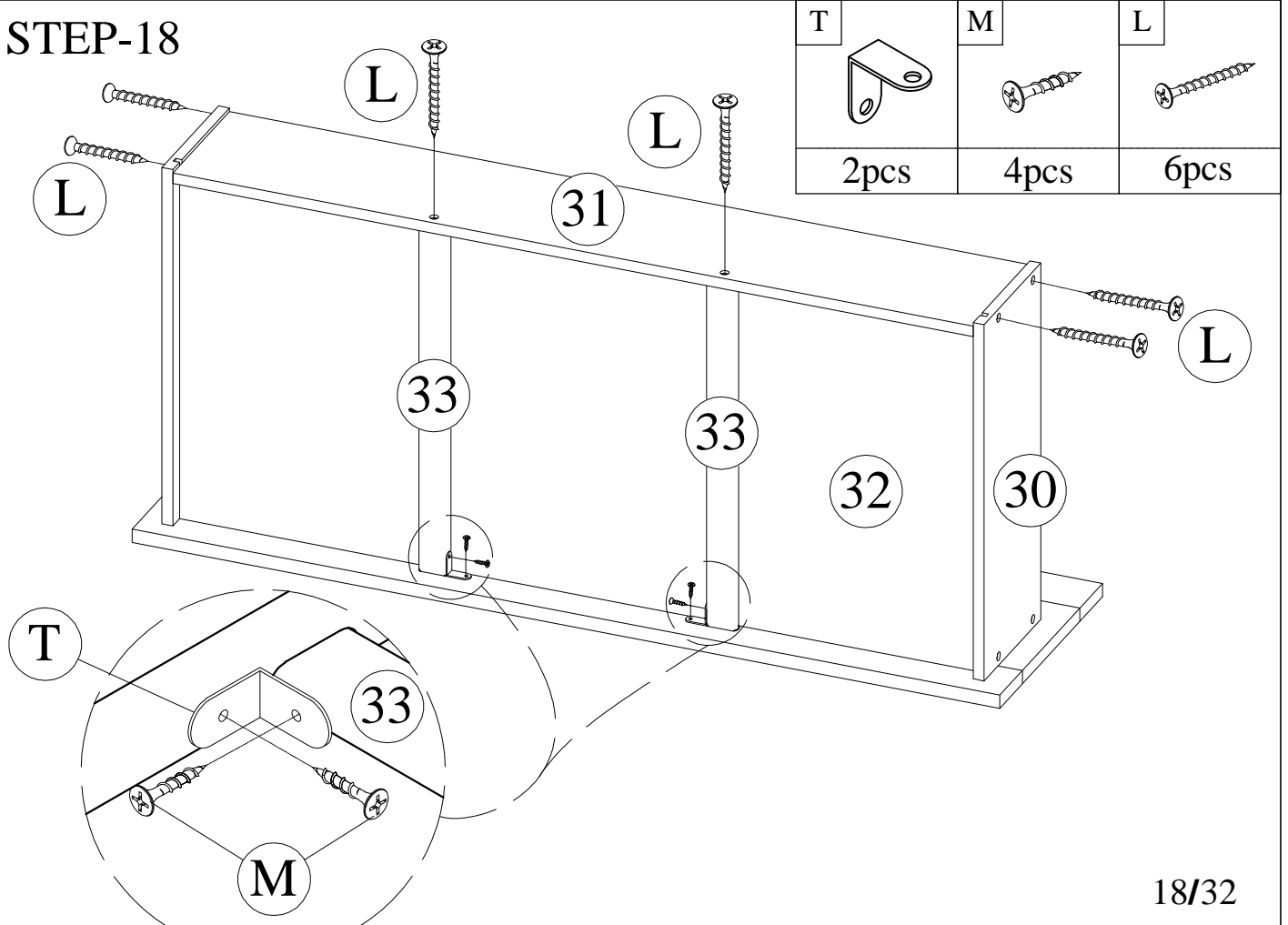
4pcs



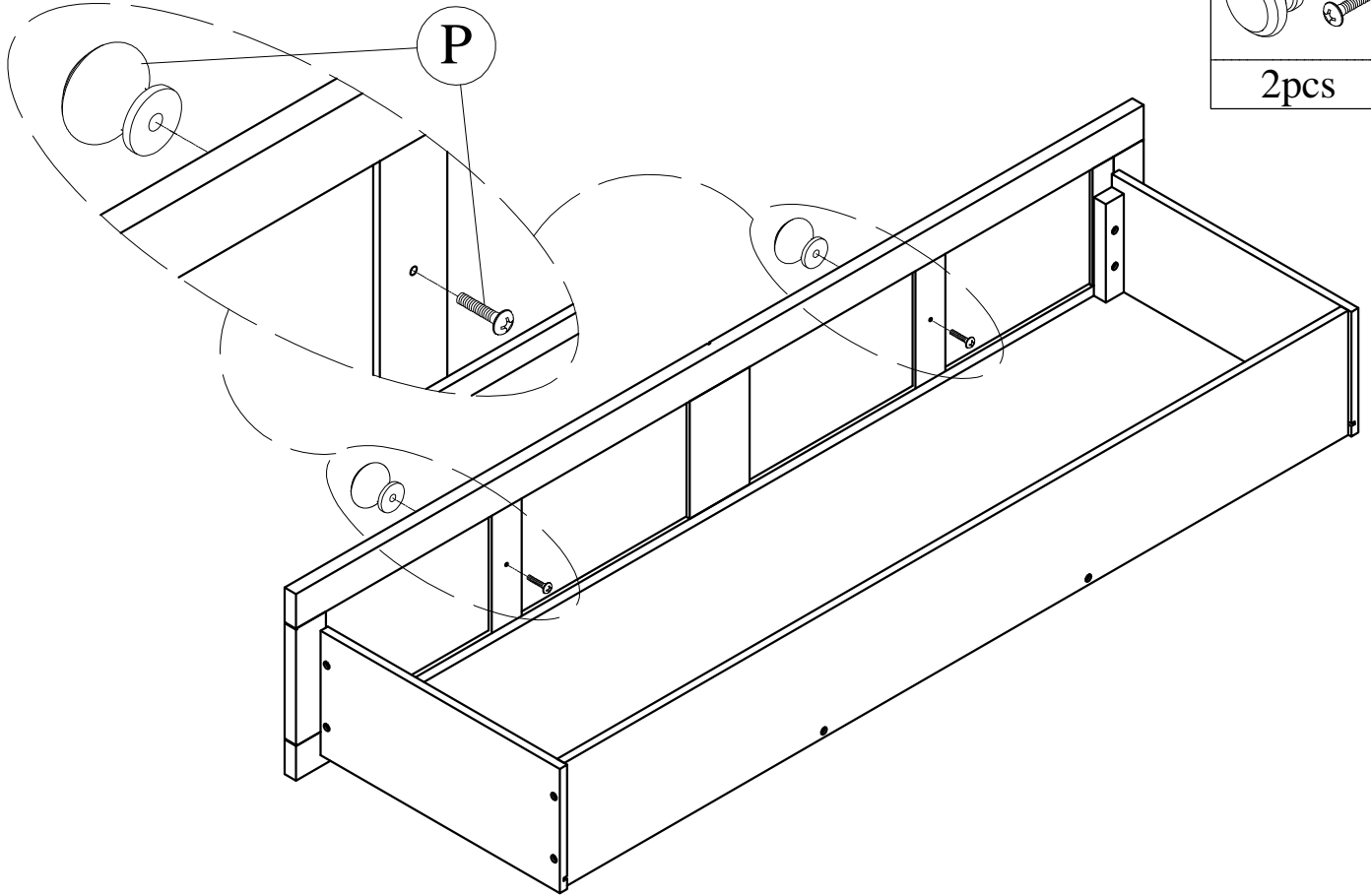
# STEP-17




# STEP-18

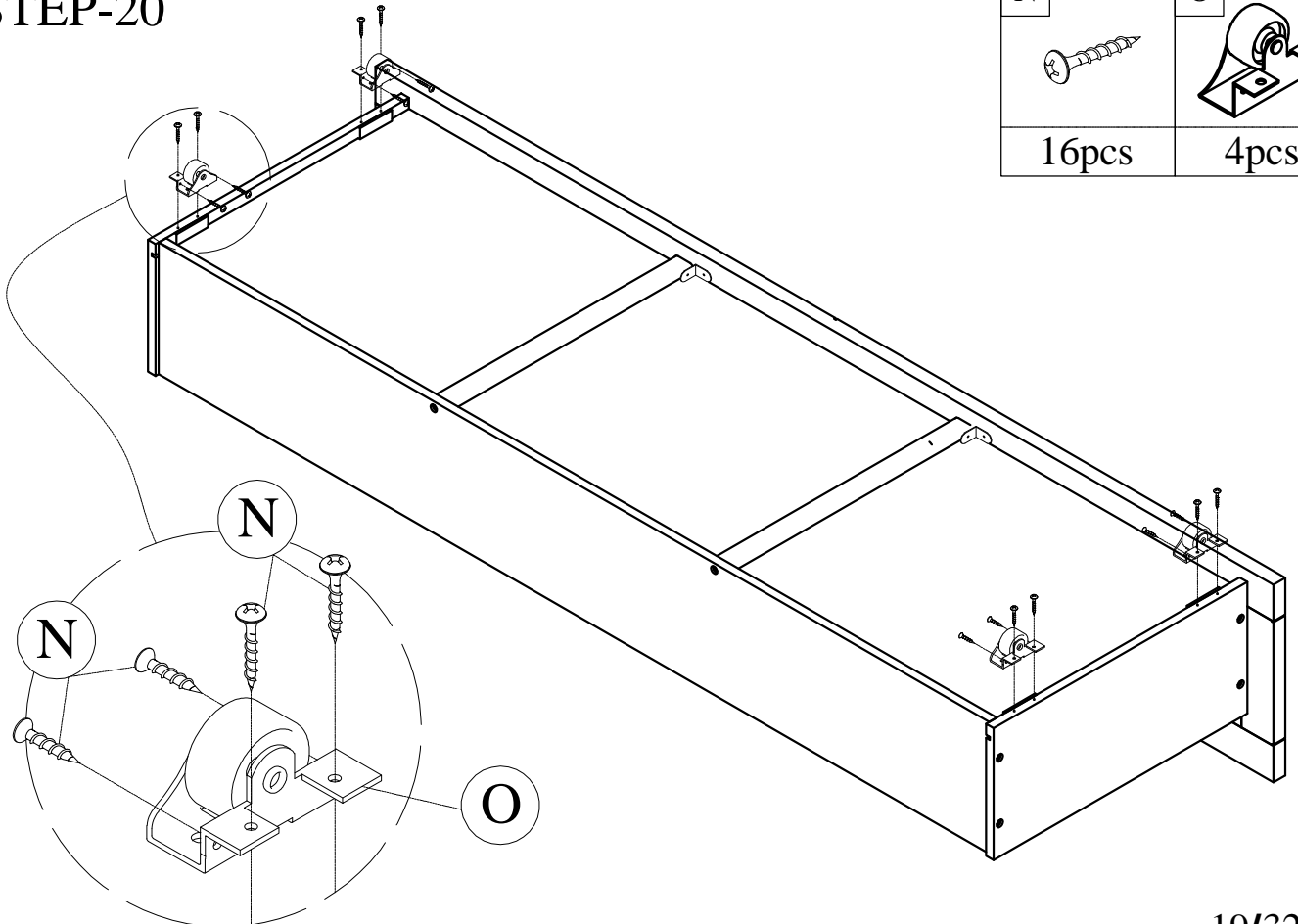


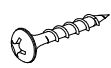
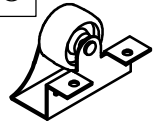
# STEP-19



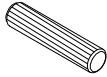


P

2pcs

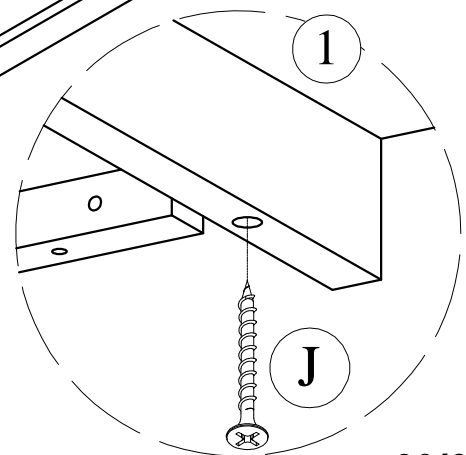
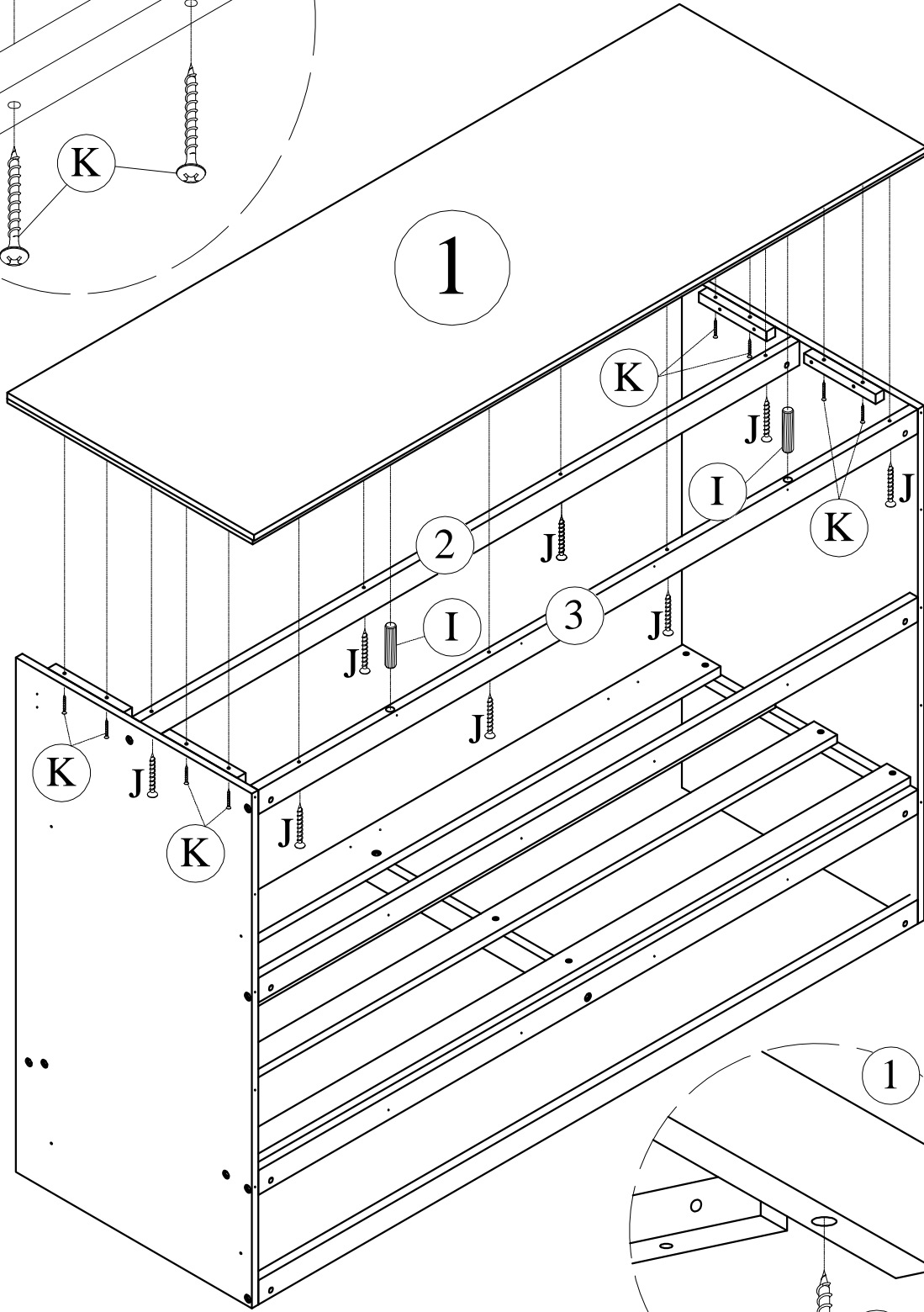
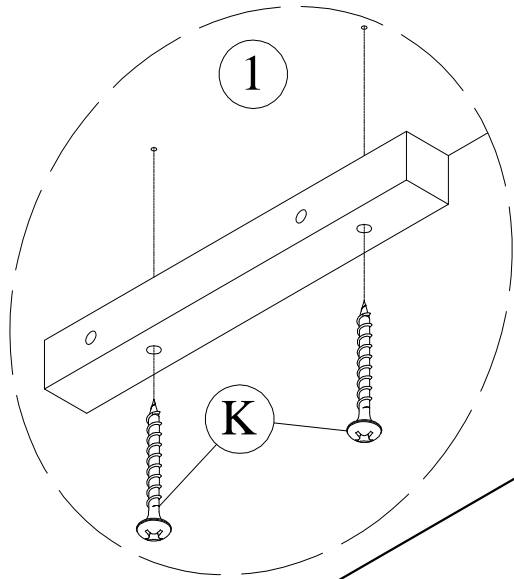
# STEP-20




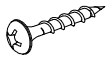
N	O
	
16pcs	4pcs

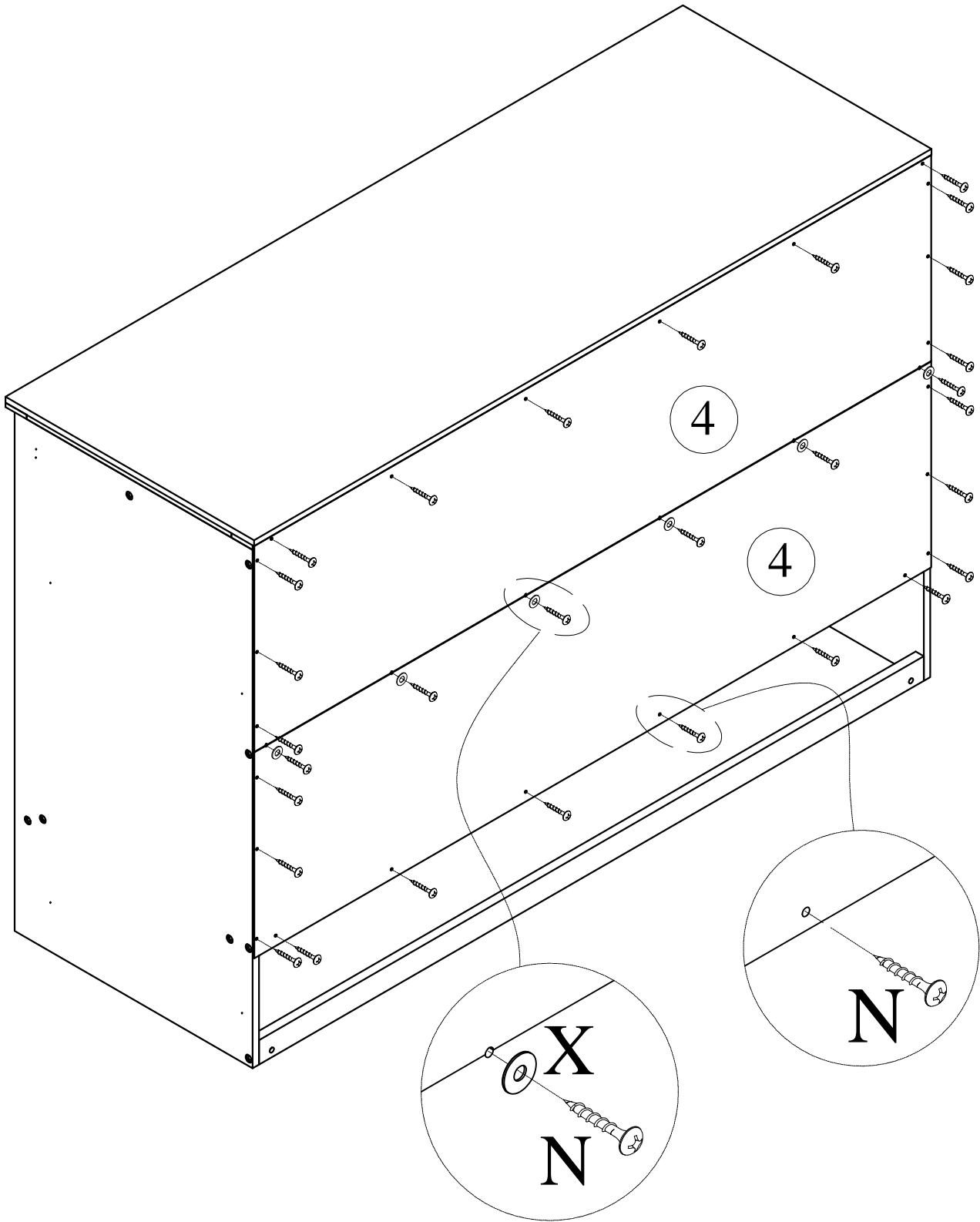
# STEP-21

I	K	J
		
2pcs	8pcs	8pcs

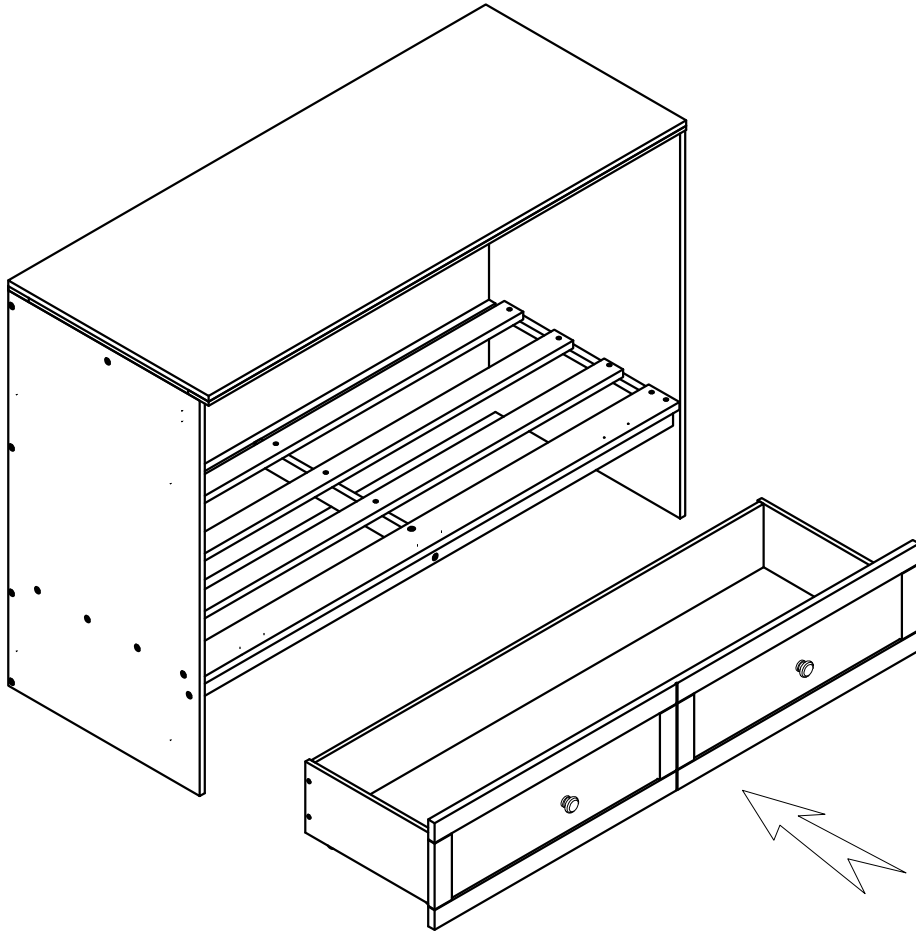


# STEP-22

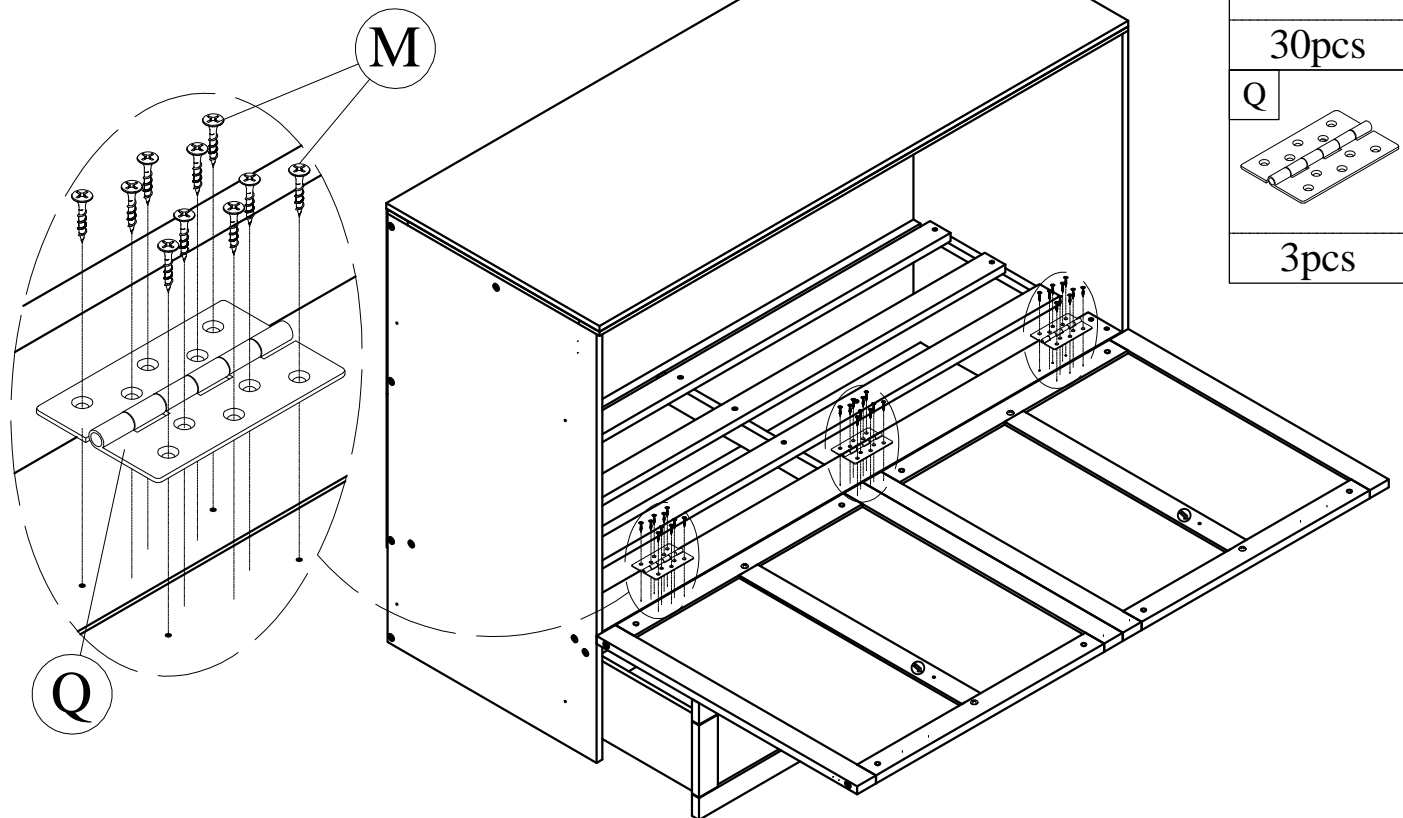
X	N
	
6pcs	30pcs



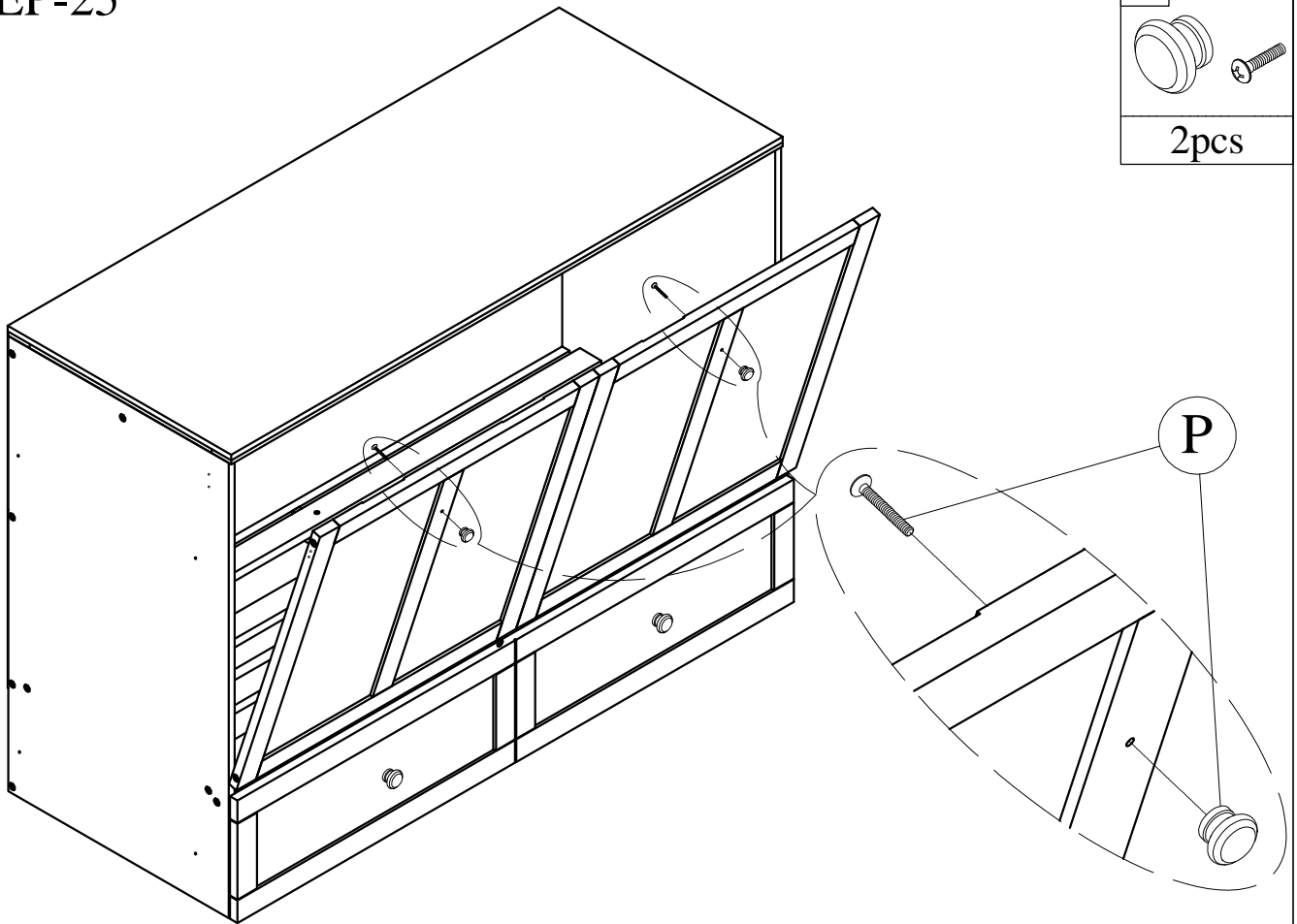
# STEP-23




# STEP-24

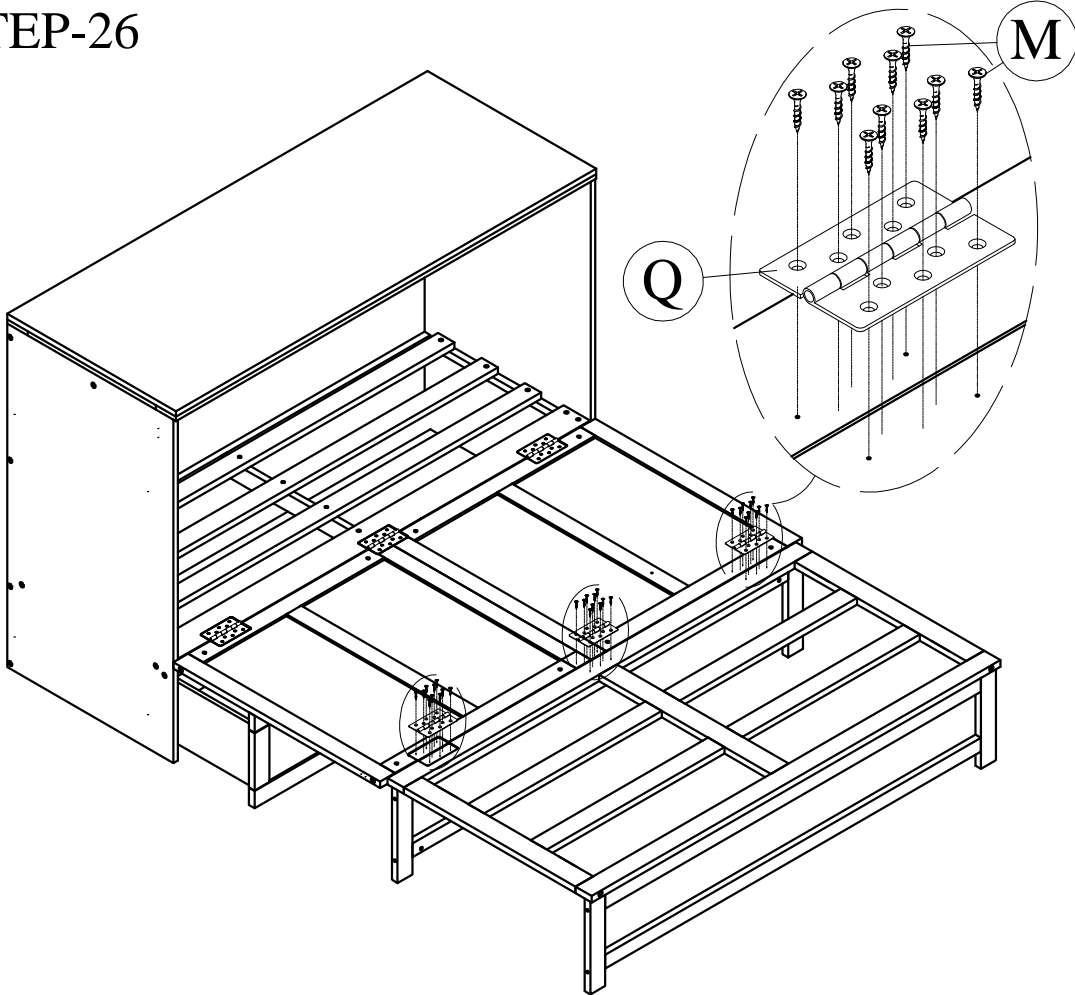


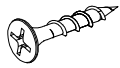
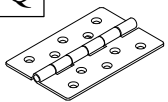
# STEP-25



P

2pcs

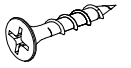
# STEP-26



M

30pcs
Q

3pcs

# STEP-27

M

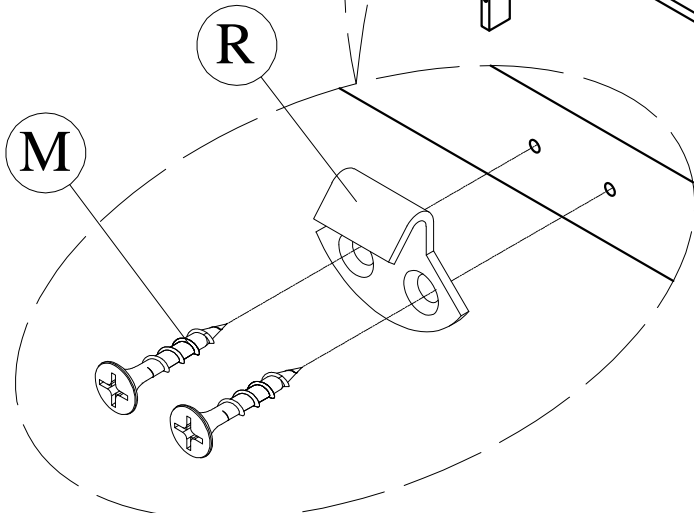
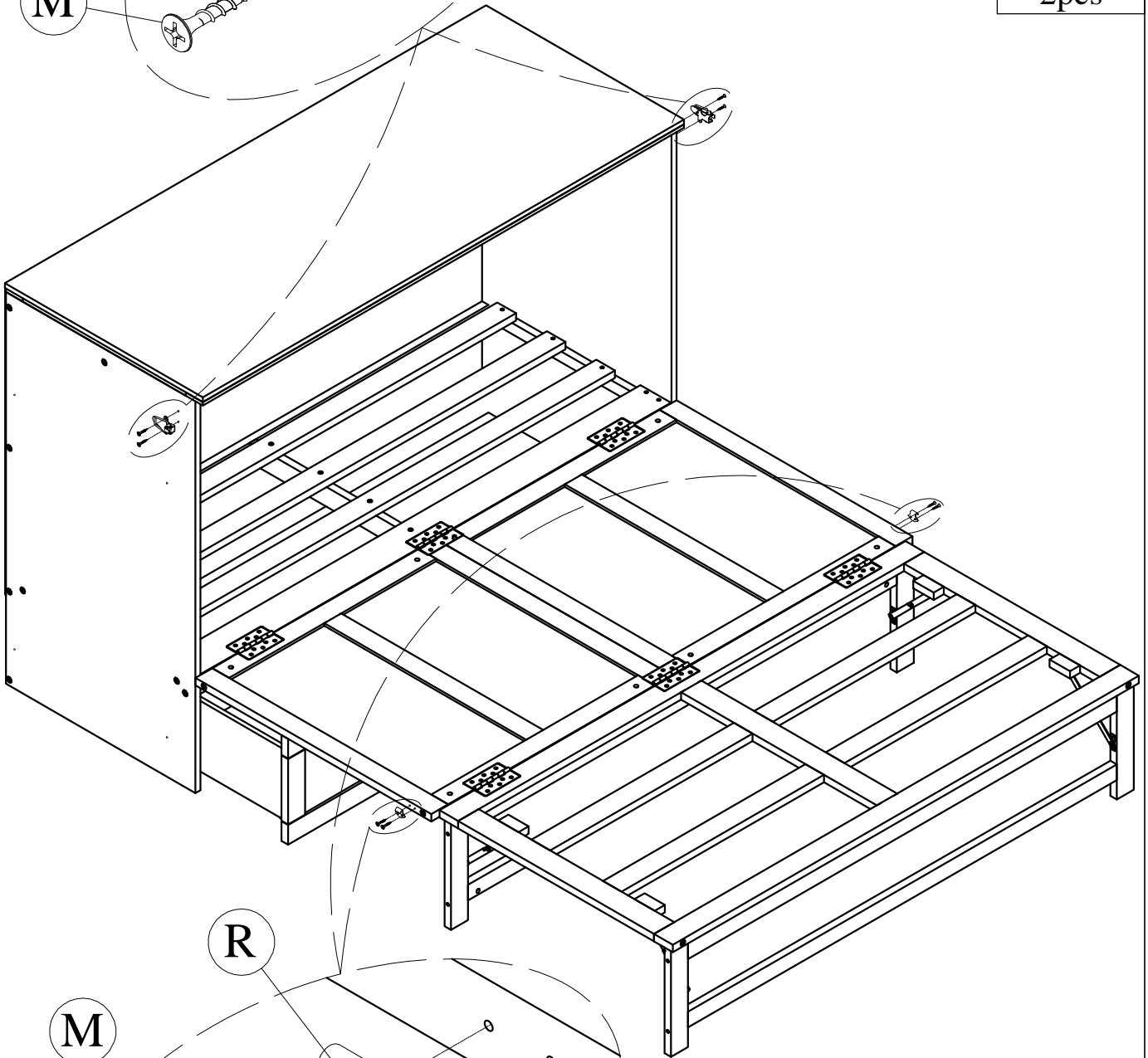
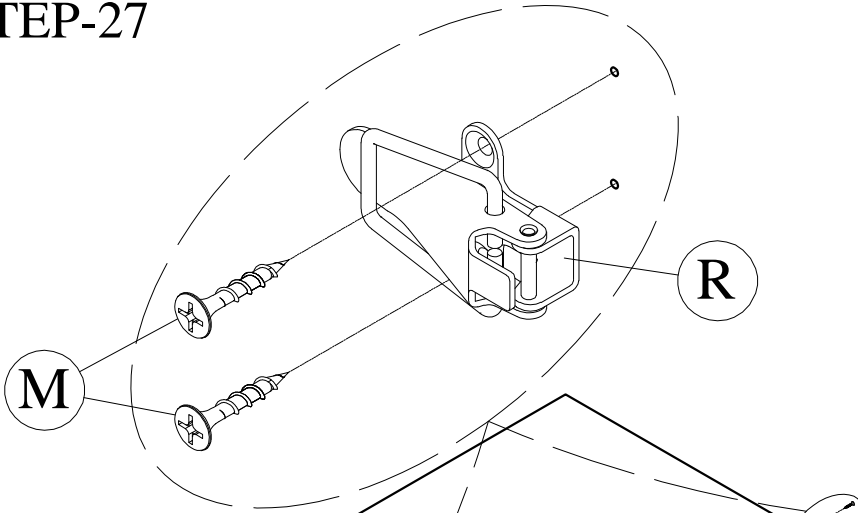


8pcs

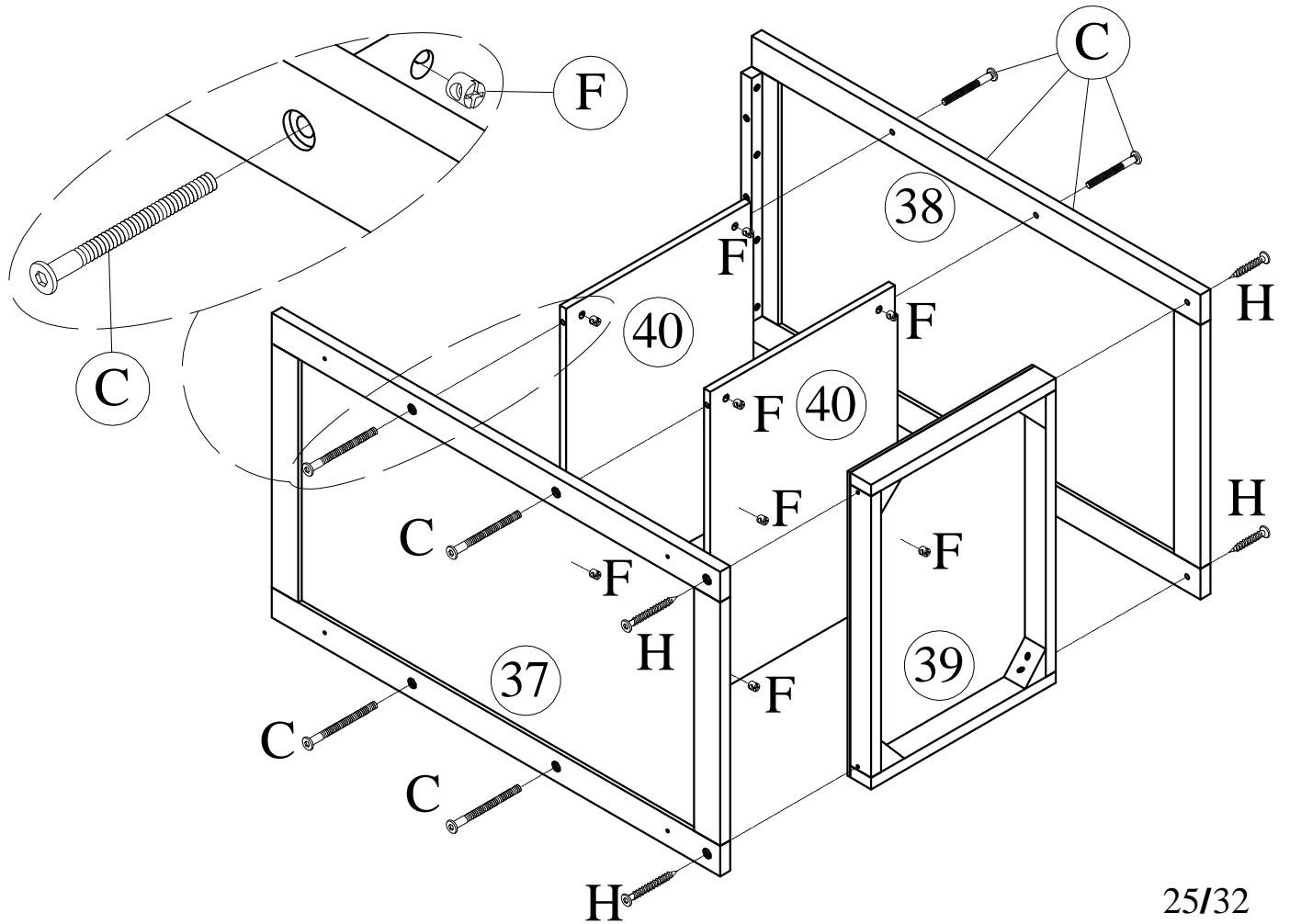
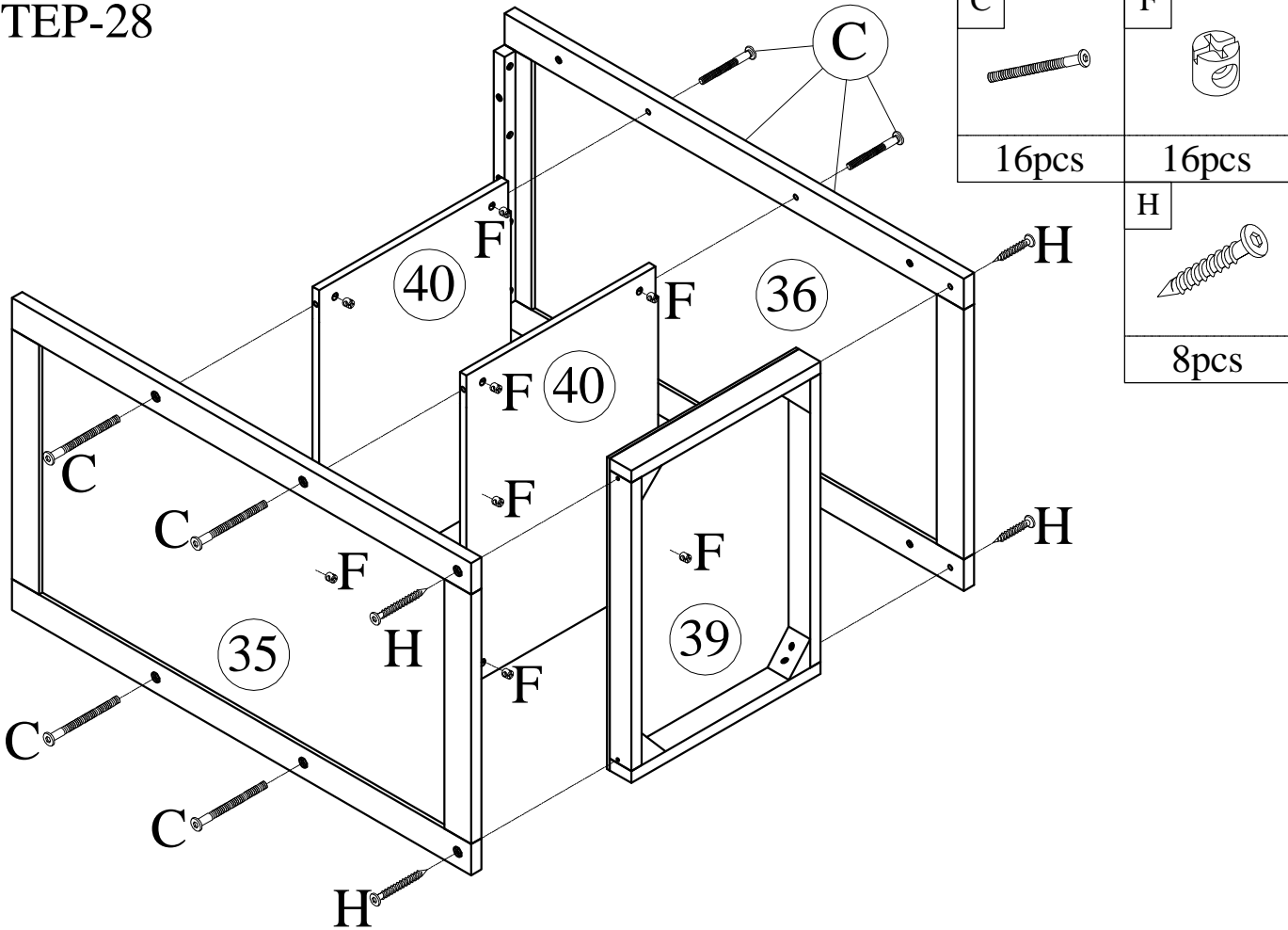
R



2pcs



# STEP-28

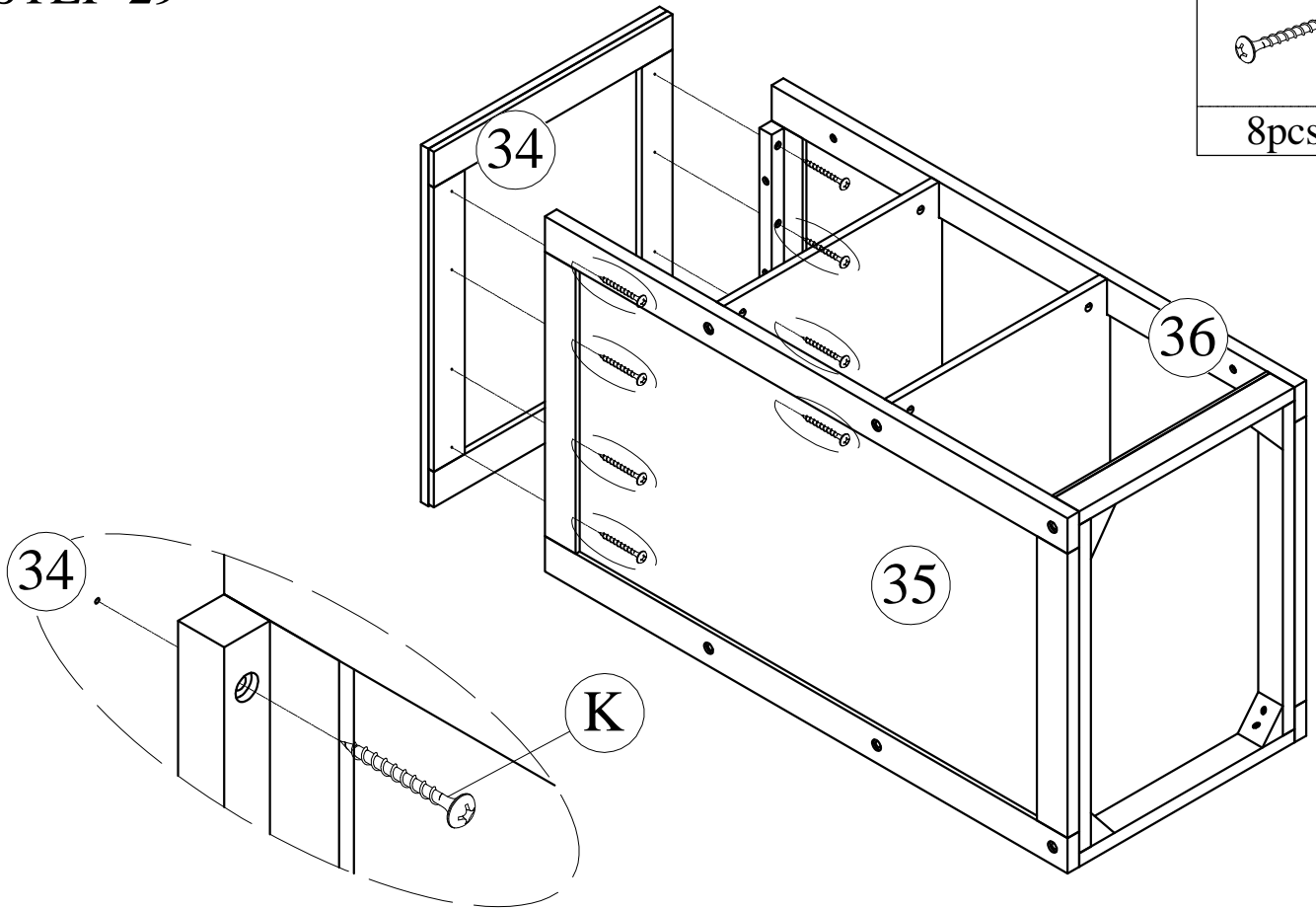


# STEP-29

K



8pcs

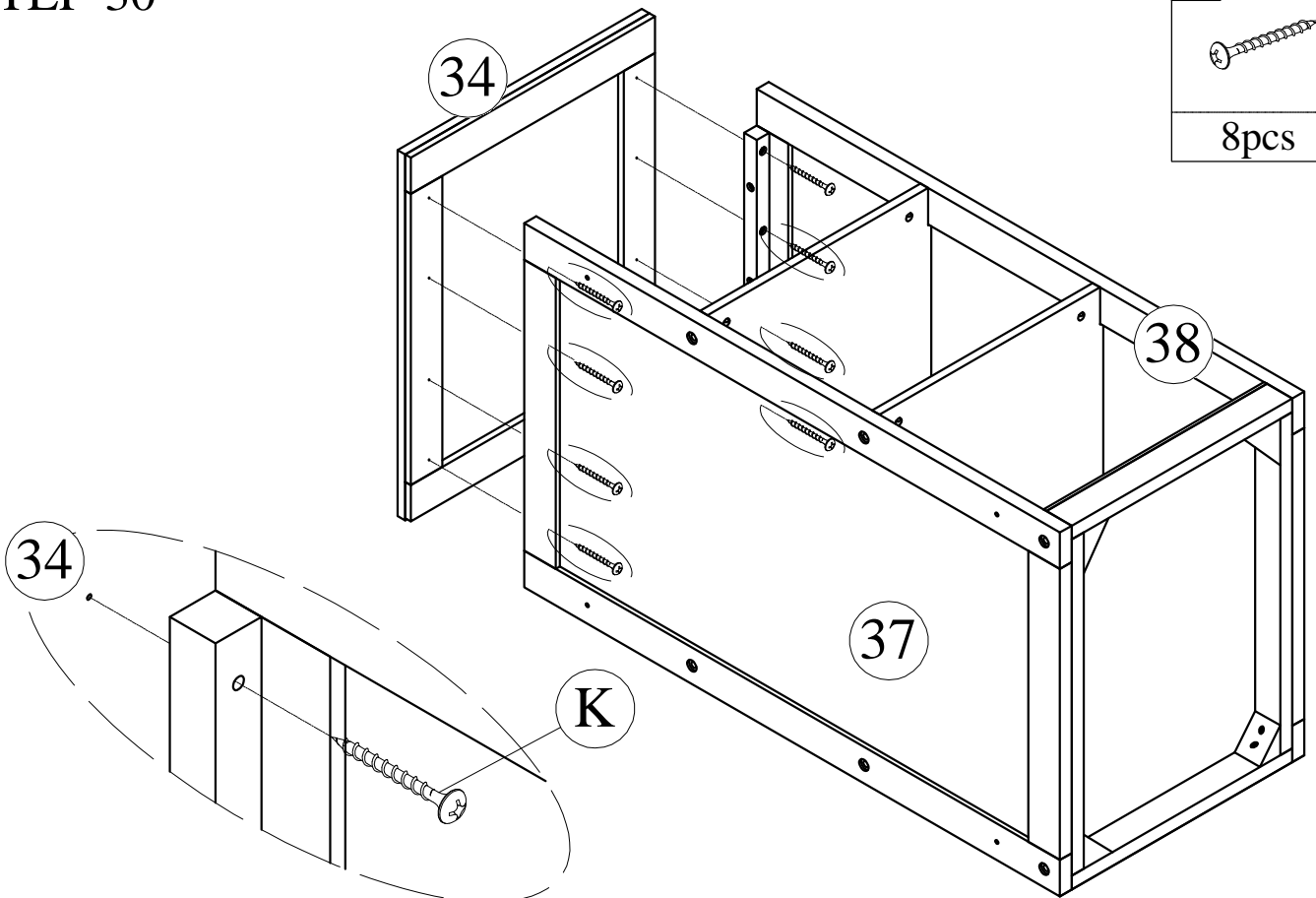


# STEP-30

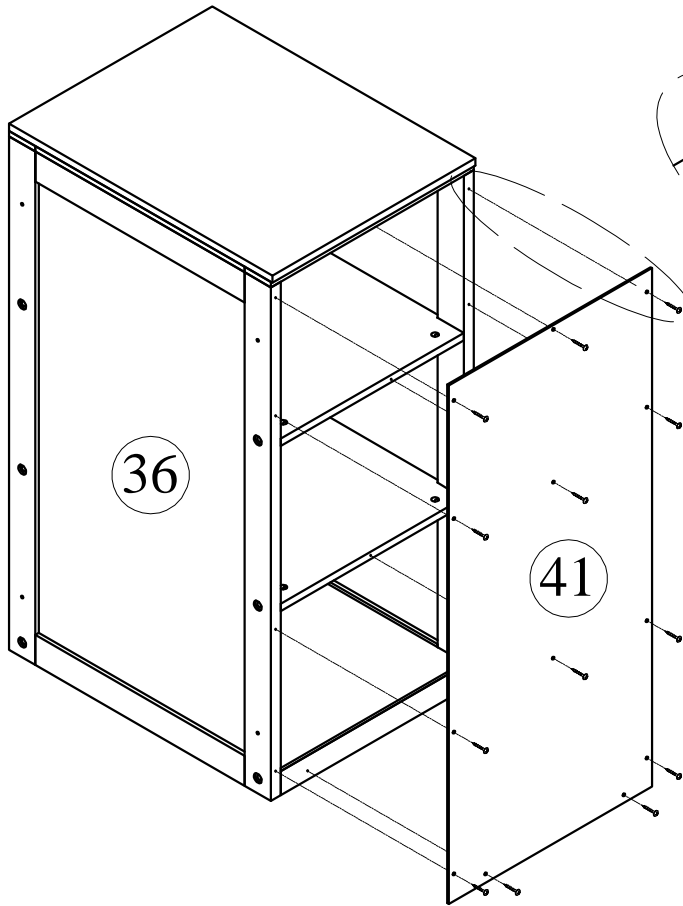
K



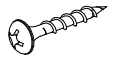
8pcs



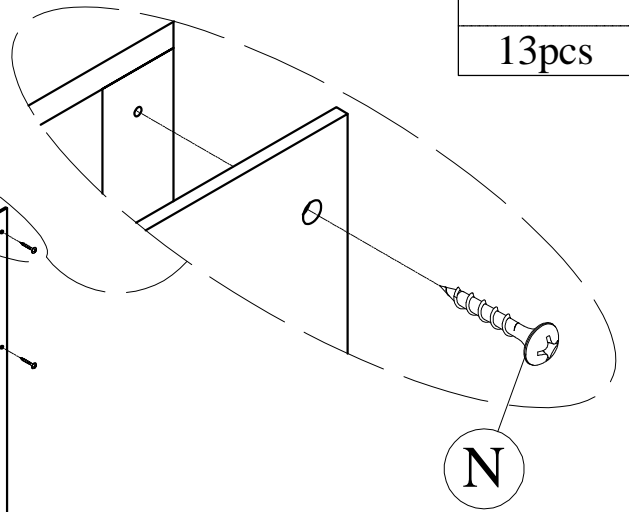
# STEP-31



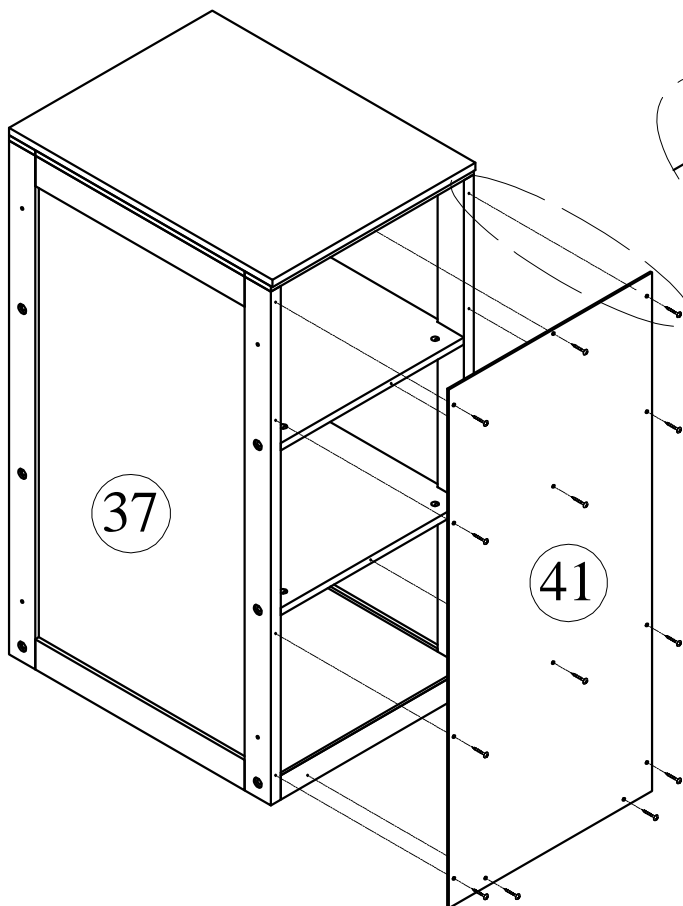
N



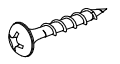
13pcs



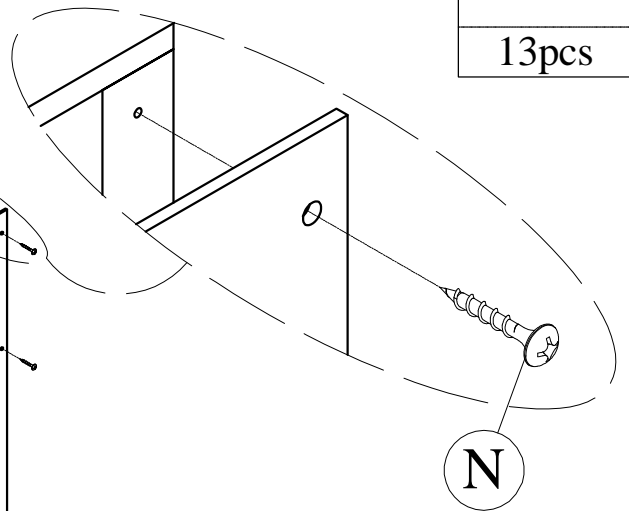
# STEP-32



N

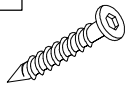


13pcs

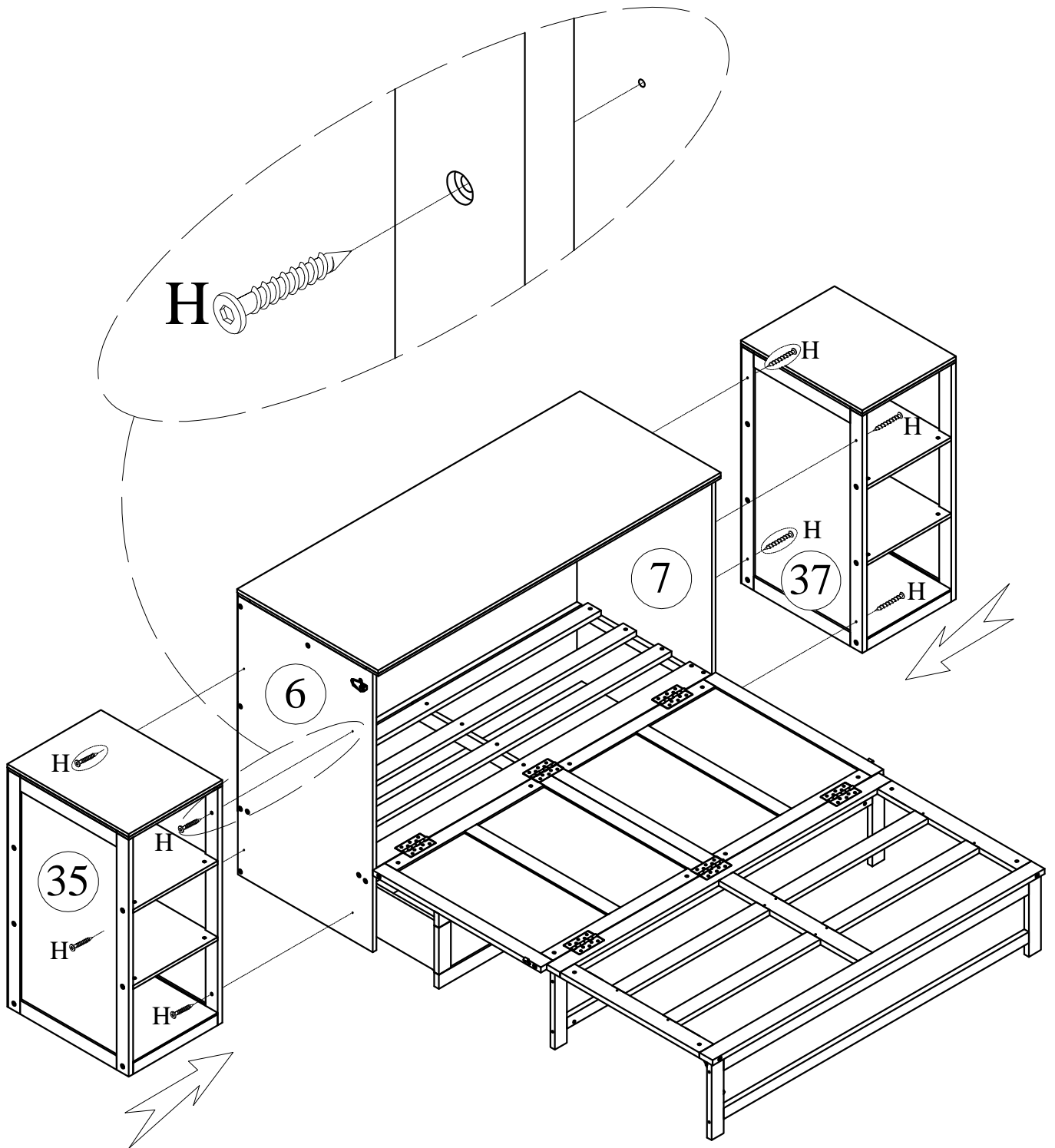


# STEP-35

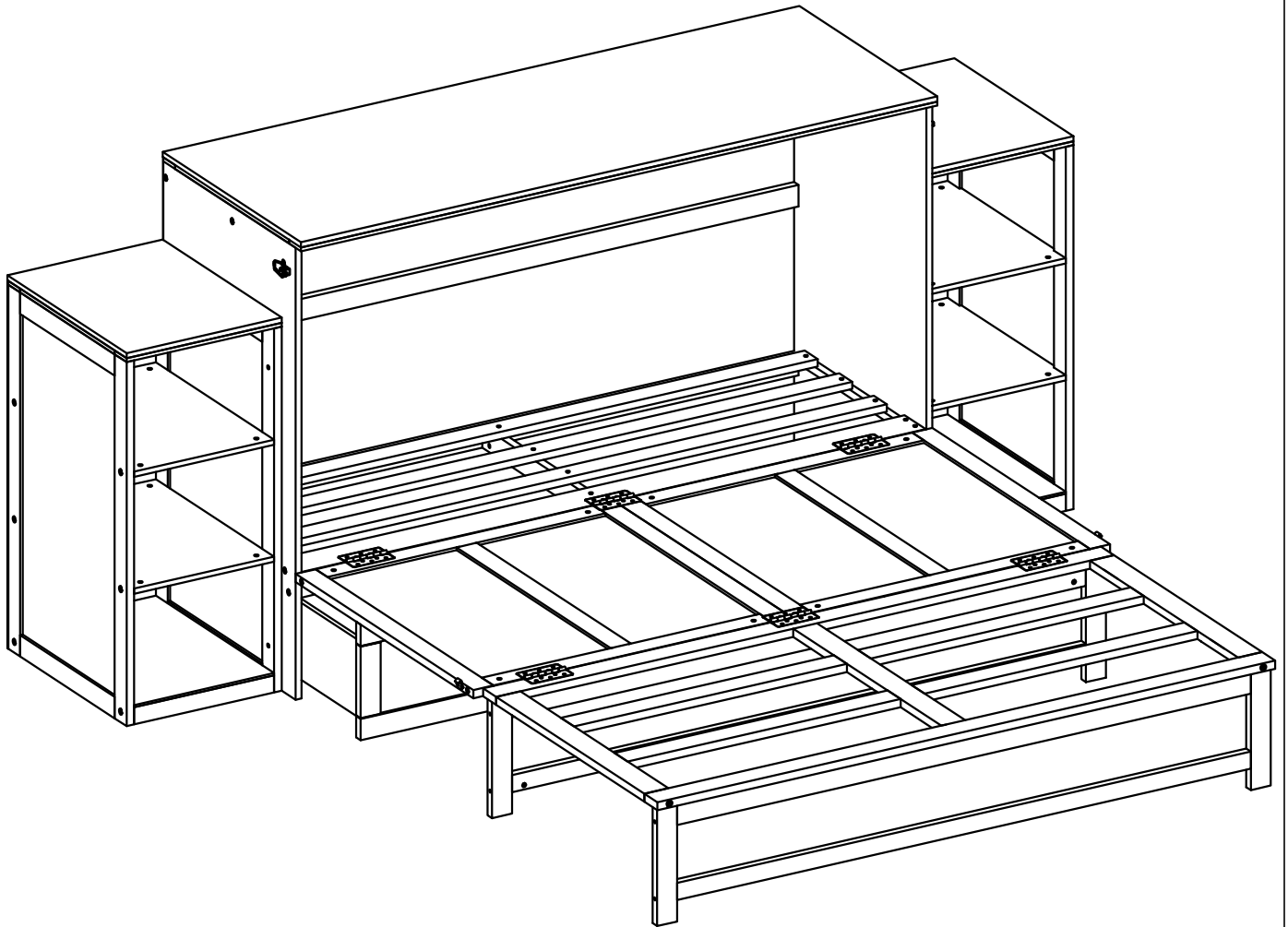
H



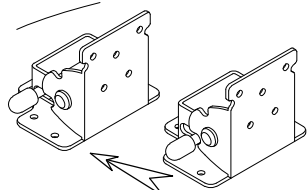
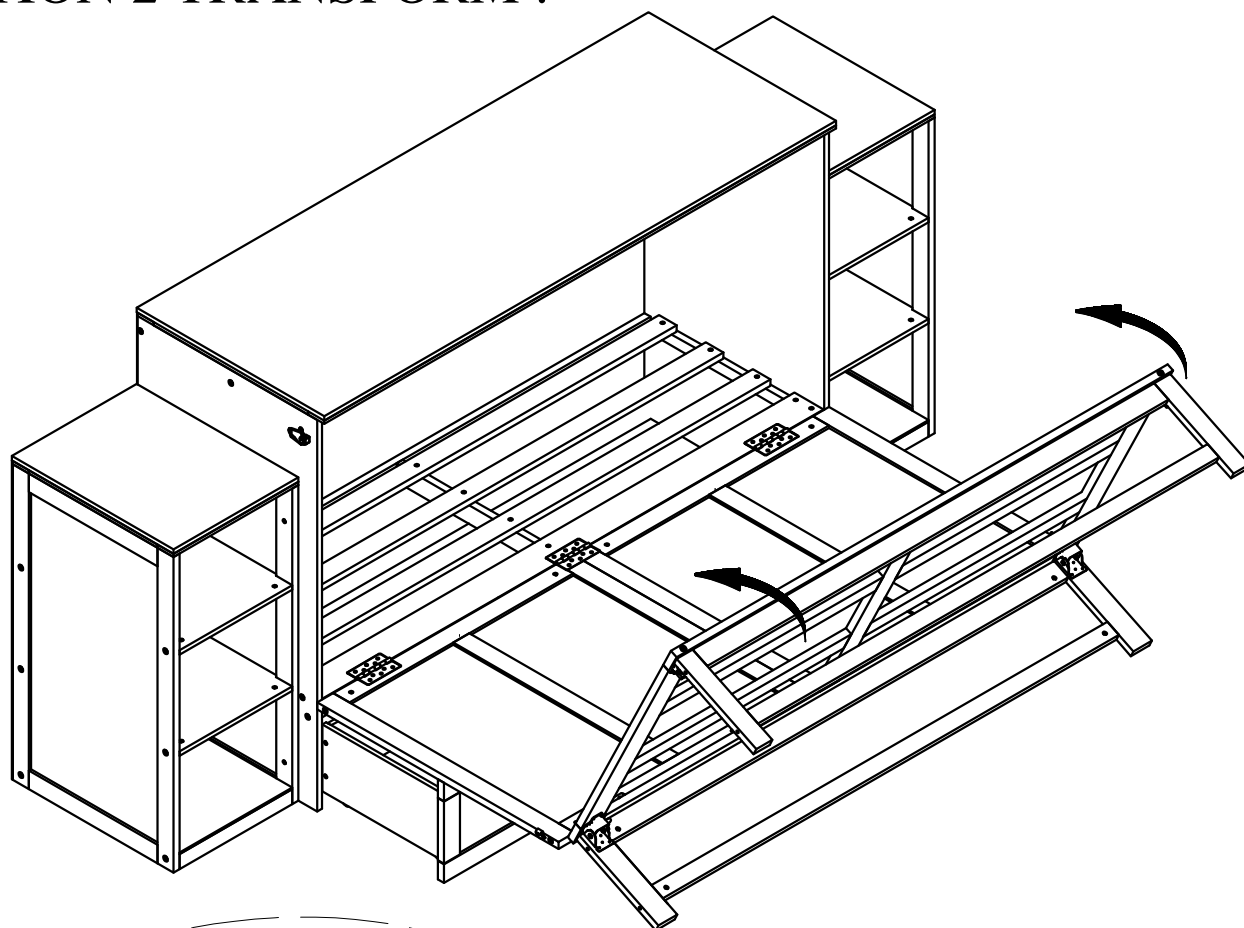
8pcs



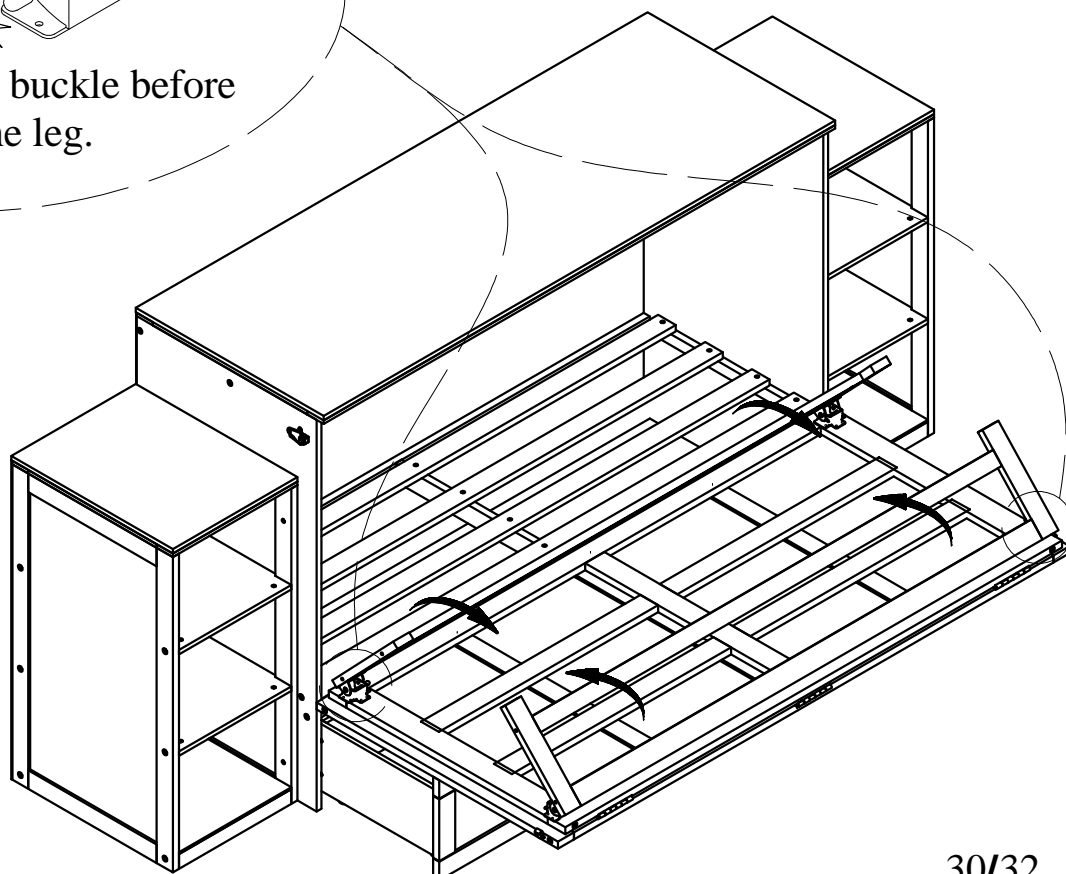
# FINISH OPTION 1:



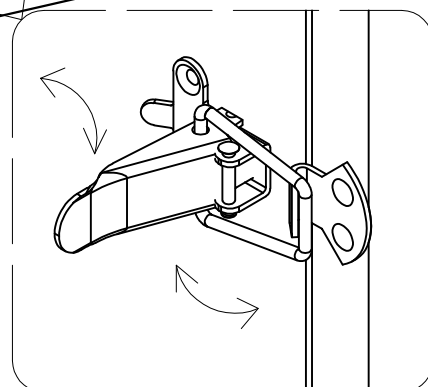
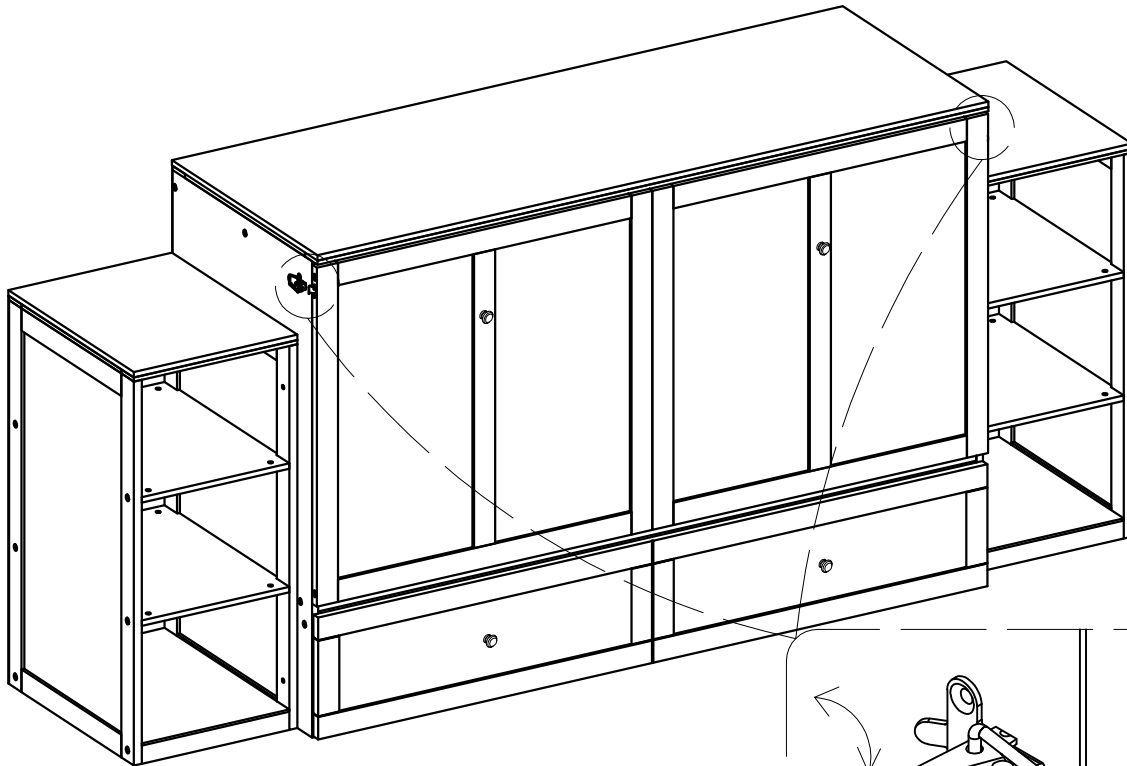
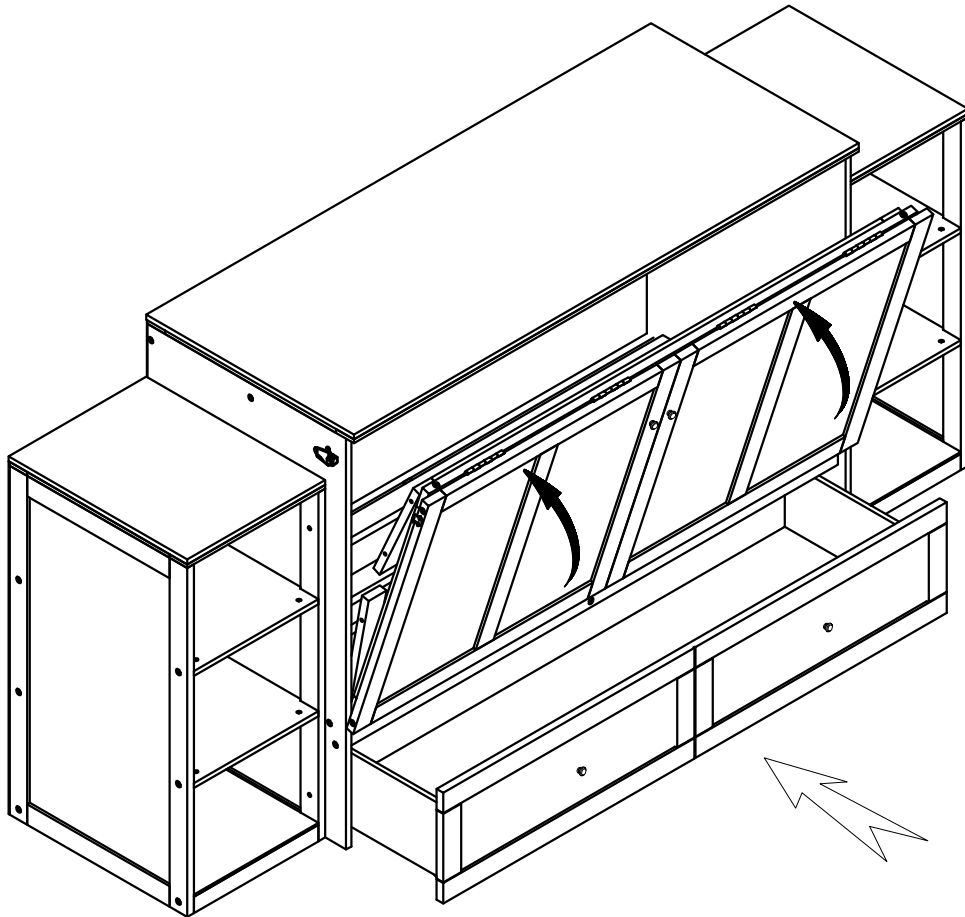
# OPTION 2 TRANSFORM :



Pull the front buckle before folding the leg.



# OPTION 2 TRANSFORM :



## FINISH OPTION 2:

