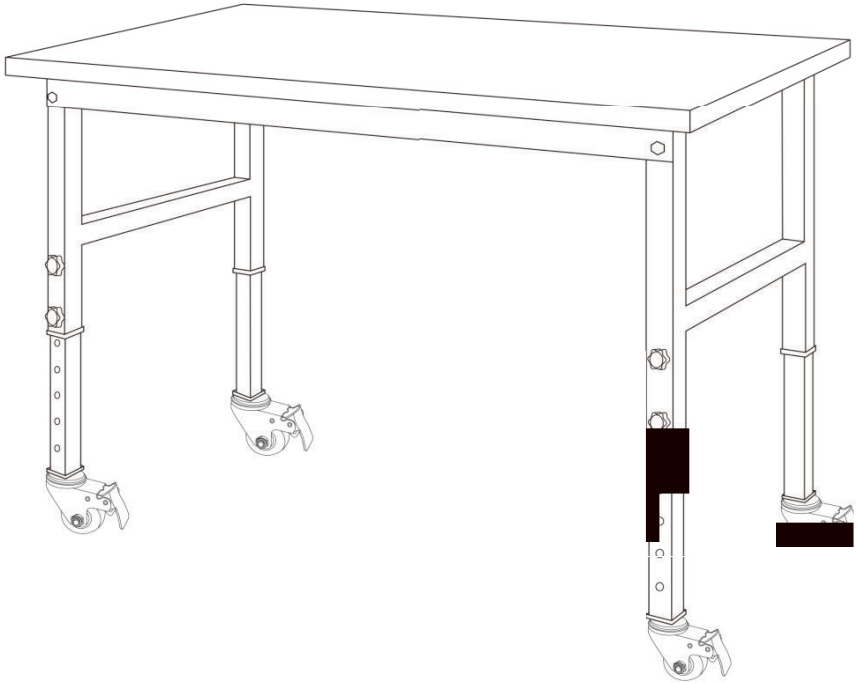


48" GARAGE WORKBENCH

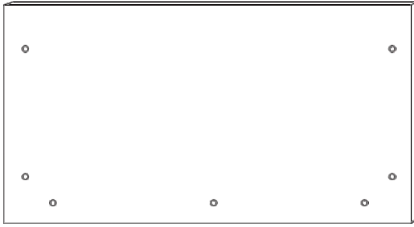
USER'S MANUAL



WARNING!

1. The manual contains very important safety information, please read it carefully before assembling.
2. Check carefully the box when you receive, if there is any damage, please take a picture for record, contact our service team for help.
3. The workbench can be dangerous if it is not properly installed. Fasten all bolts, nuts, screws before using it.
4. Don't overload product on the workbench, it is restricted to 1600 LBS.
5. When you use the workbench, make sure all casters are locked, or it can be very dangerous.
6. The brakes are firmer and the overall stability is better. If you need to move, it will be easier to unlock them by hand.
7. Keep away from children, it will be dangerous if your children are playing on it.
8. Keep workbench away from water, moisture.

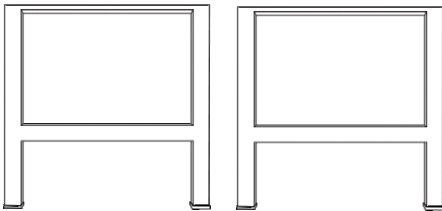
PART LIST



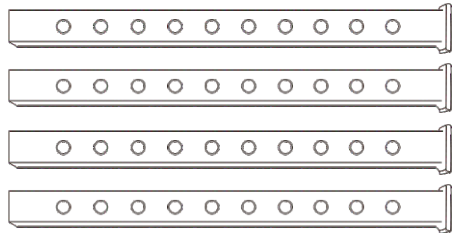
Ⓐ BOARD X1



Ⓑ SUPPORT X1



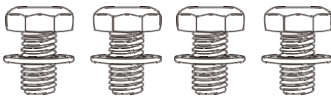
Ⓒ LEGS X2



Ⓓ LEG EXTEND X4



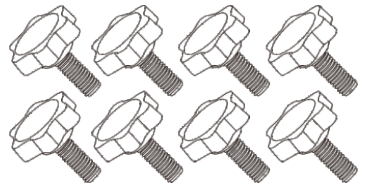
Ⓔ M8X16 BOLT X7



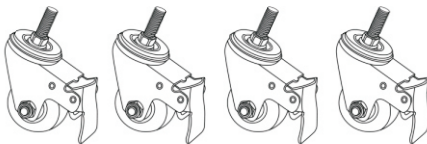
Ⓕ M10X20 BOLT X4



Ⓖ TOOLS X2



Ⓖ ADJUSTABLE KNOBS X8



Ⓖ CASTERS X4

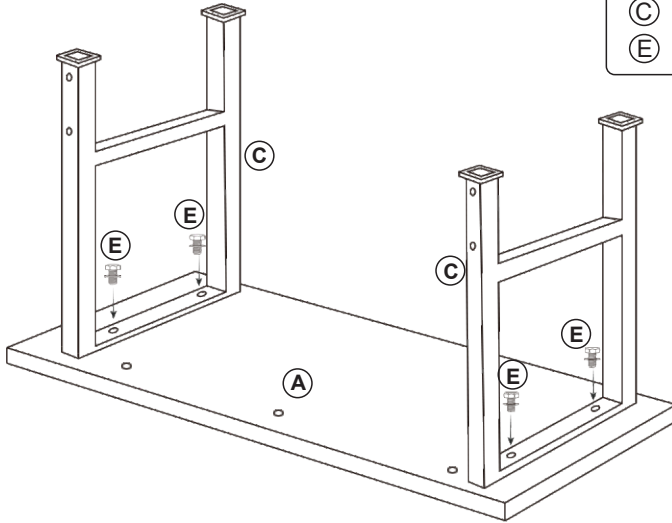
TIPS:

1. Don't fasten all bolts and nuts tightly at first, you may need to rework if you make some mistake.
2. We recommend that 2 adults are required to complete the installation.

Step 1. Fasten Leg To The Rubber Board

1. Put the rubber board on a clean ground, in order to protect the rubber board, we suggest you to put something between ground and rubber board, like soft cloth.

2. Align the holes on the legs with those on the rubber board. Use E: M8*16 bolts to fasten C: legs to rubber board

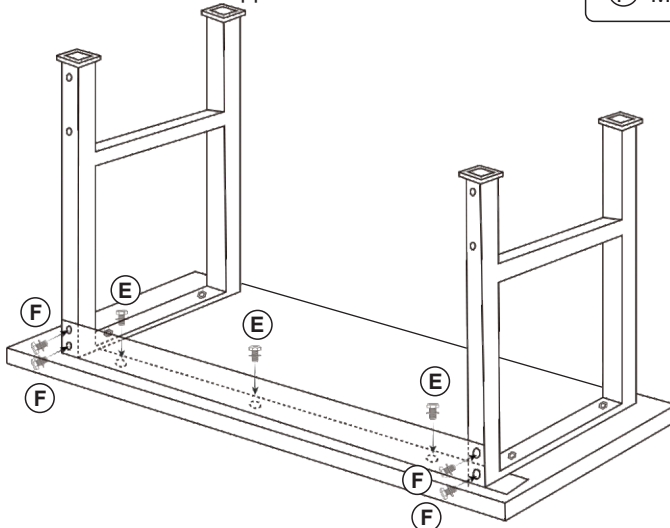


Step 2. Fasten Supports To Rubber Board And Legs

1. Use F: M10*20 bolts to fasten support to leg.

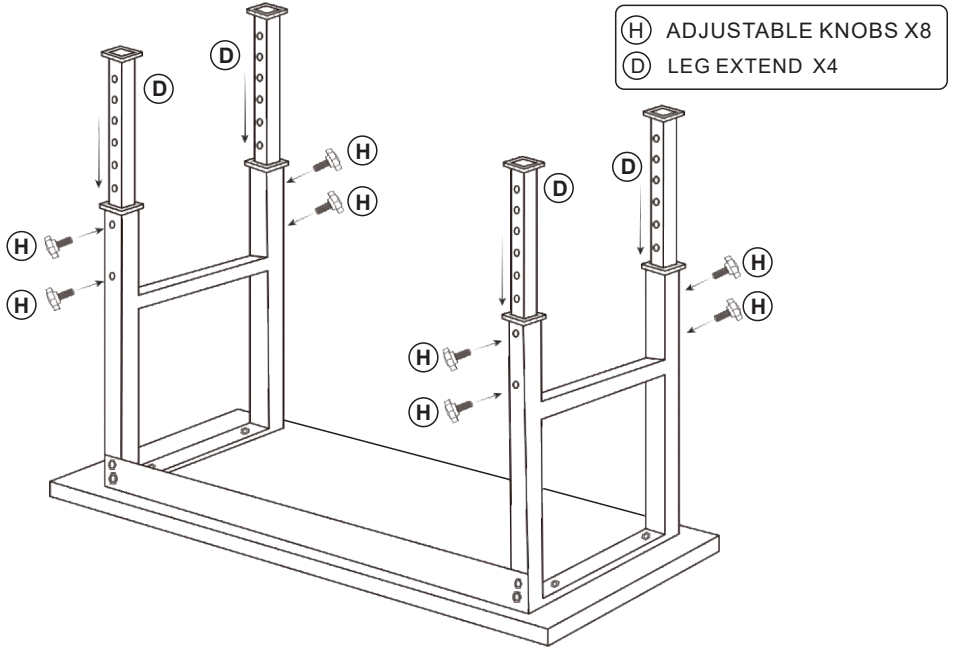
NOTE: F is fixed at knob H shown in STEP3 and needs to be removed.

2. Use E: M8*16 bolts to fasten supports to rubber board

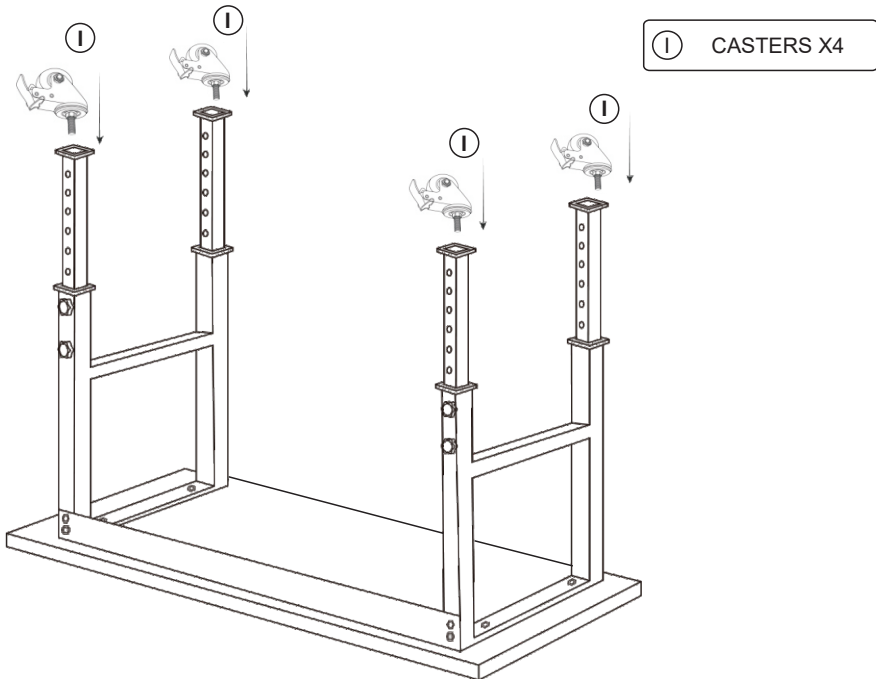


Step 3. Fasten Leg Extend To Legs

Use H:adjustable knobs to fasten the D:leg extend to the legs,and feel free to adjust the height.

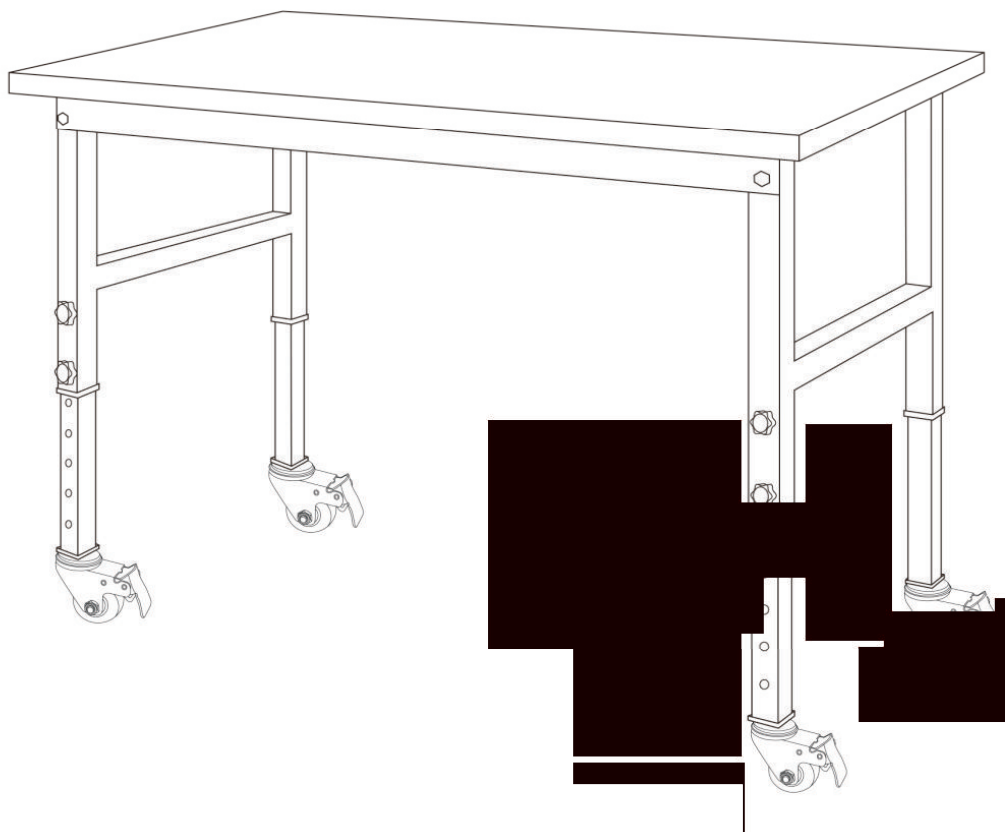


Step 4. Install J: Footcups On Leg Extend



Step 5.Finish

After you check that there are no errors,fasten all bolts and nuts,then finish!



AFTER-SALE SERVICE

If you have any suggestions for our products or find that the products have quality problems, please contact us first, our after-sales team will reply you within 24 hours, and we will do our best to give you solutions until you are satisfied.

Guaranteed Customer Service

Your shopping experience is very important to us!
Feel unsatisfied? **Contact us!**
Have any questions? **Contact us!**

Wanna share your experience with our products?
Share your pictures with us.

Any suggestions? **Contact us!**
We gotcha back!