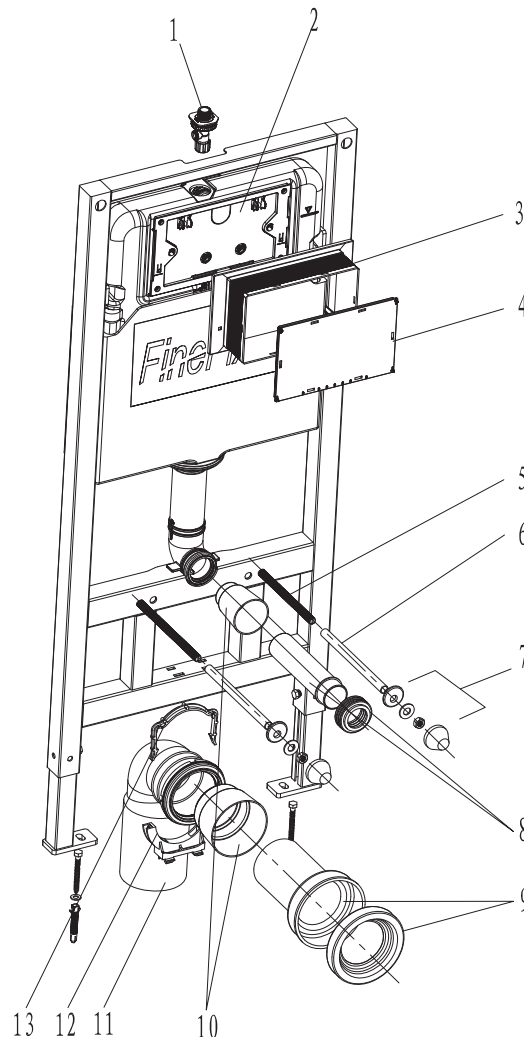


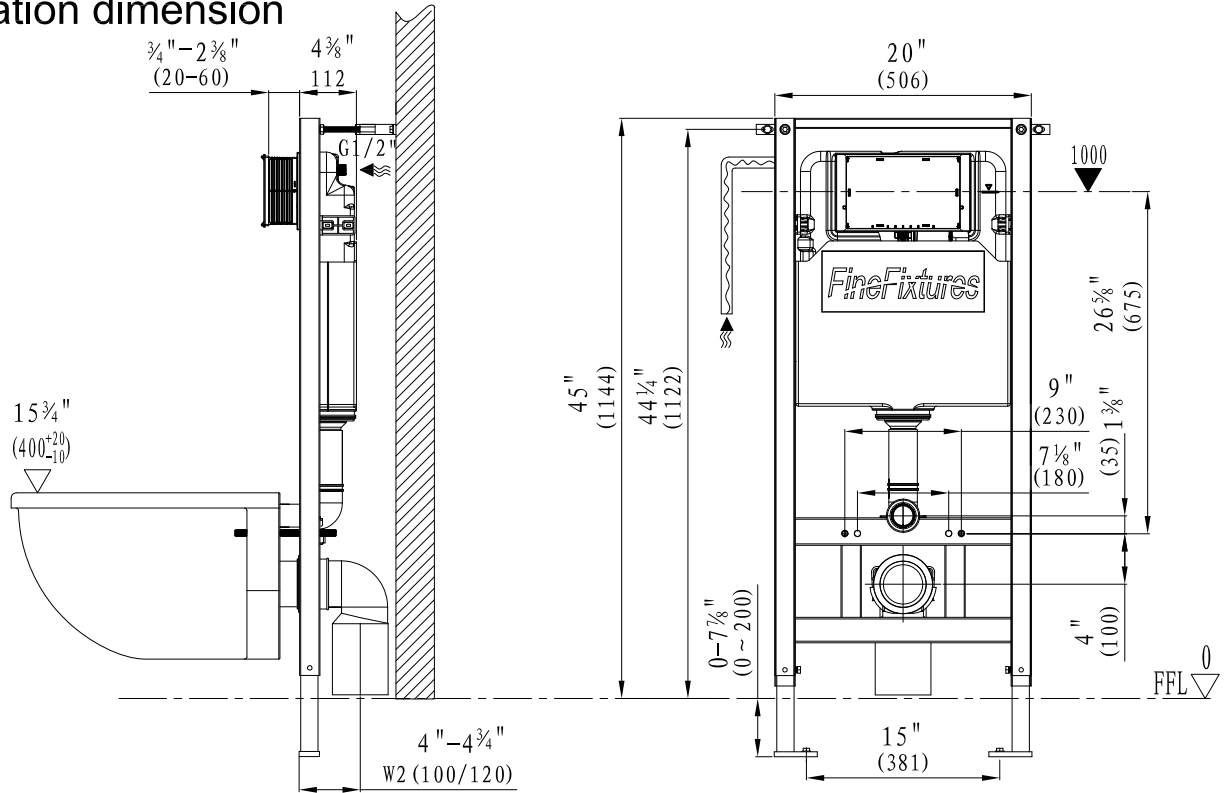
## Concealed Tank - Model: CT06 Installation Manual



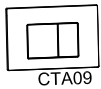
### List of main installation accessories

NO.	Description	Qty	Function
1	Angle valve	1	Fill valve inlet and shut-off
2	Cistern cover	1	Airproof tank and mounting of locking bracket
3	Plastic holder	1	To reserve space for installation of actuator at wall building
4	Plastic holder cover	1	To prevent dust and impurities into tank at wall building
5	Connecting screw	2	To mount ceramic bowl
6	Protective cover	2	To protect connecting screw at wall building
7	Ceramic bowl fixing accessories	2	To mount ceramic bowl
8	Straight tube	1	To joint cistern into ceramic bowl
9	Connecting pipe	1	(cutting in accordance with wall thickness)
10	Piping stopper	2	To reserve space for straight tube and connecting pipe
11	Draining syphon	1	To discharge liquid and solid waste from ceramic bowl.
12	Draining syphon holder	1	
13	Mounting bracket	1	To mount draining syphon

## Installation dimension



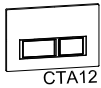
## Options



CTA09 Dual flush actuator; white, black or chrome finish

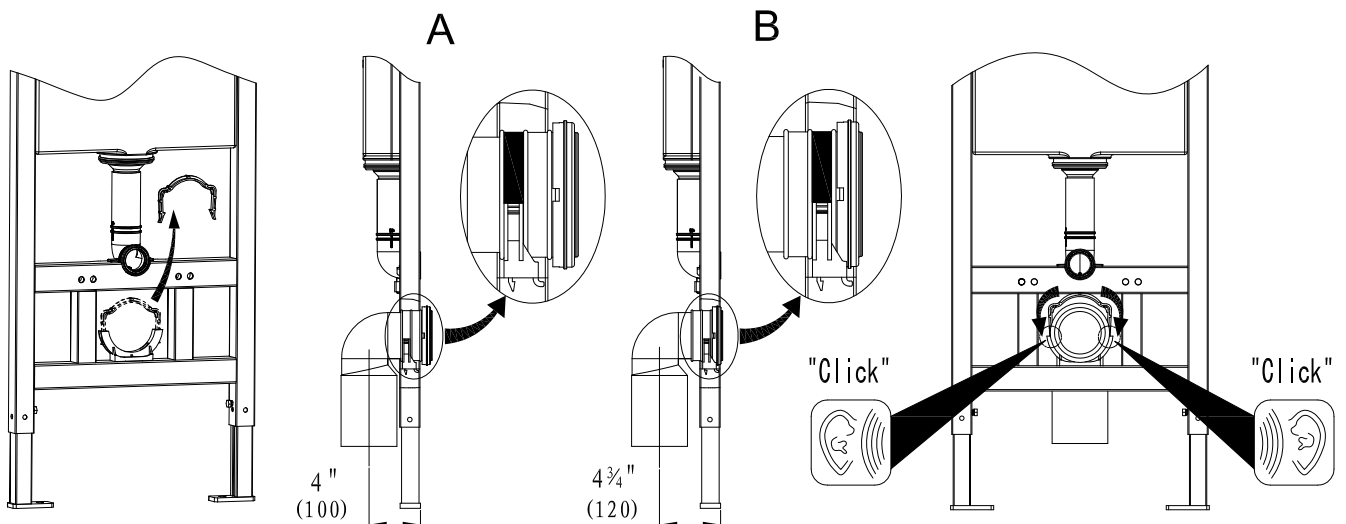


CTA11 Dual flush actuator; white, black or chrome finish

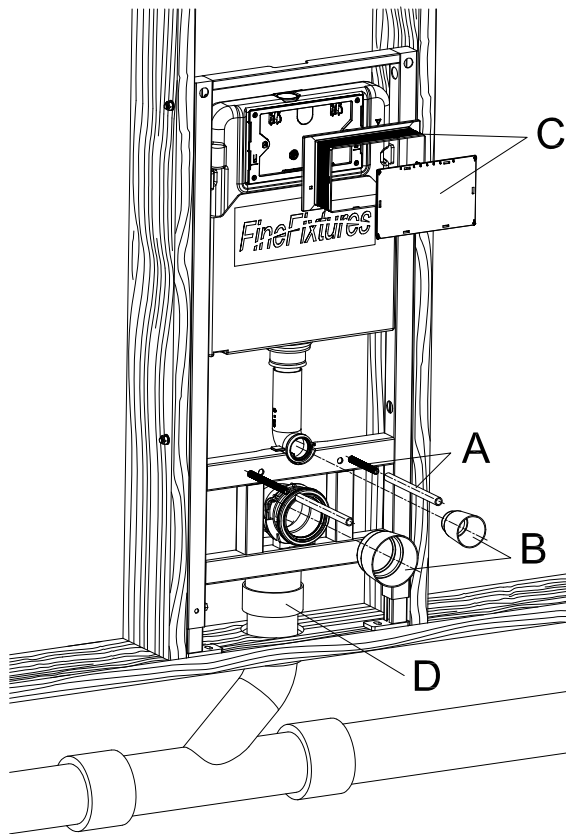
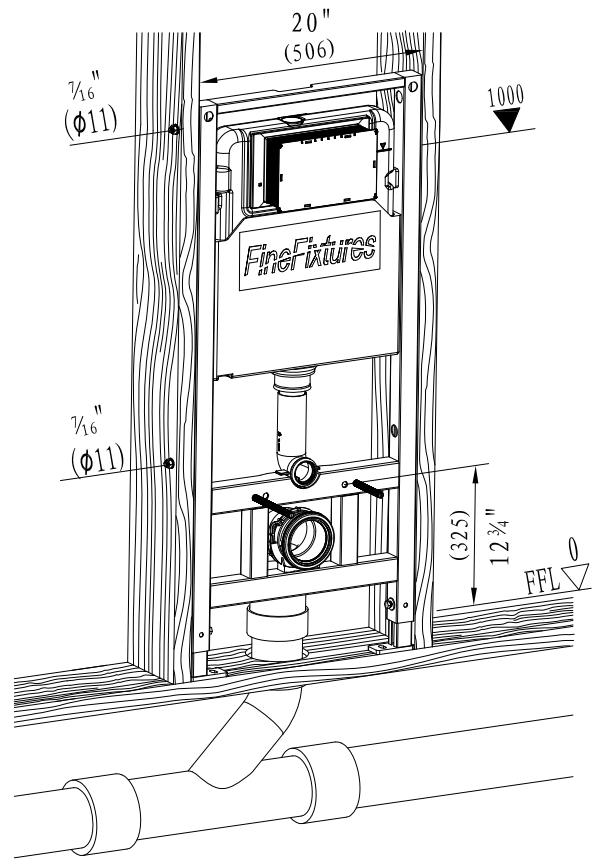
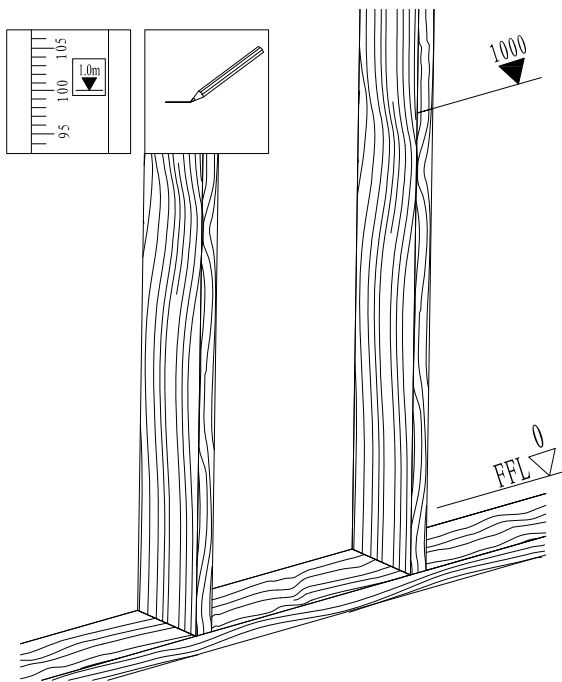


CTA12 Dual flush actuator; white, black or chrome finish

## Installation of draining syphon

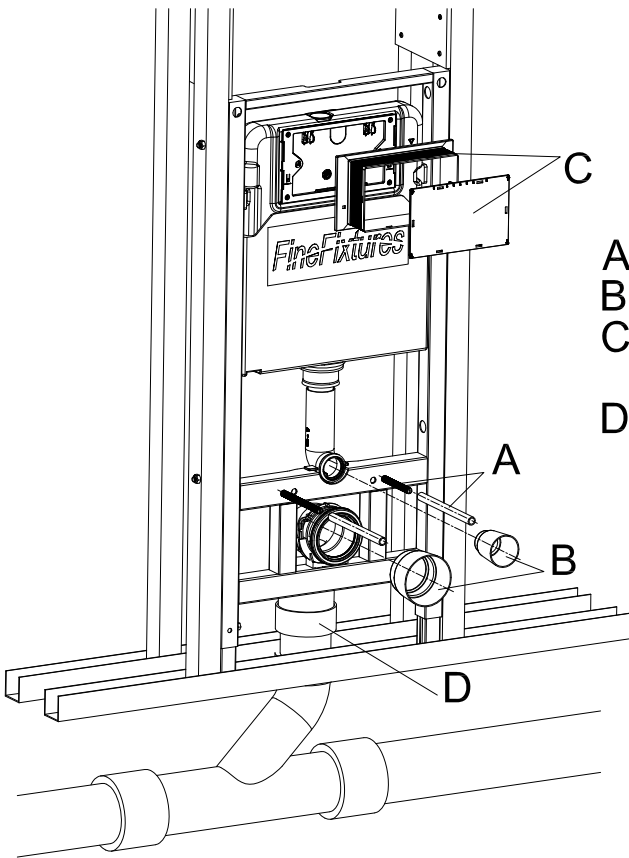
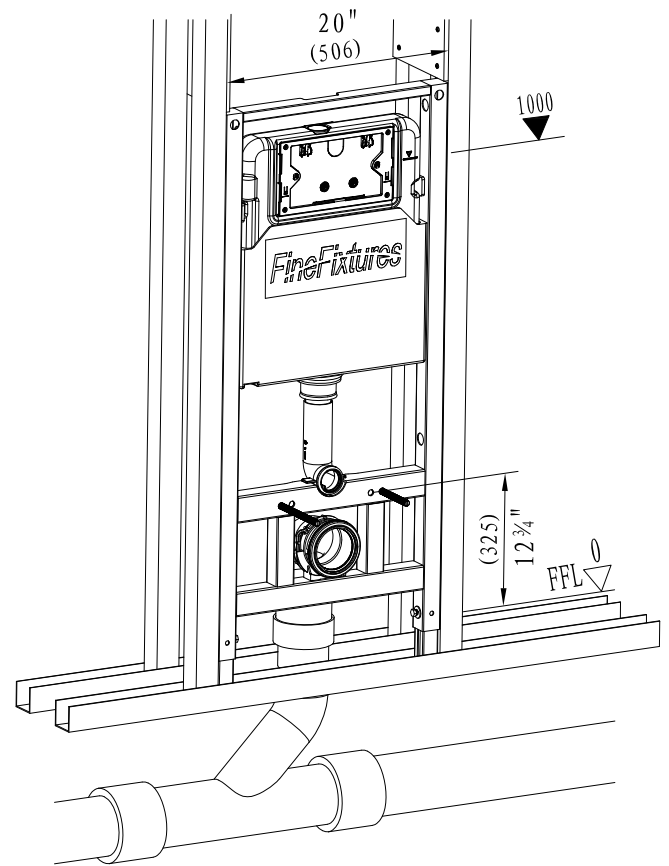
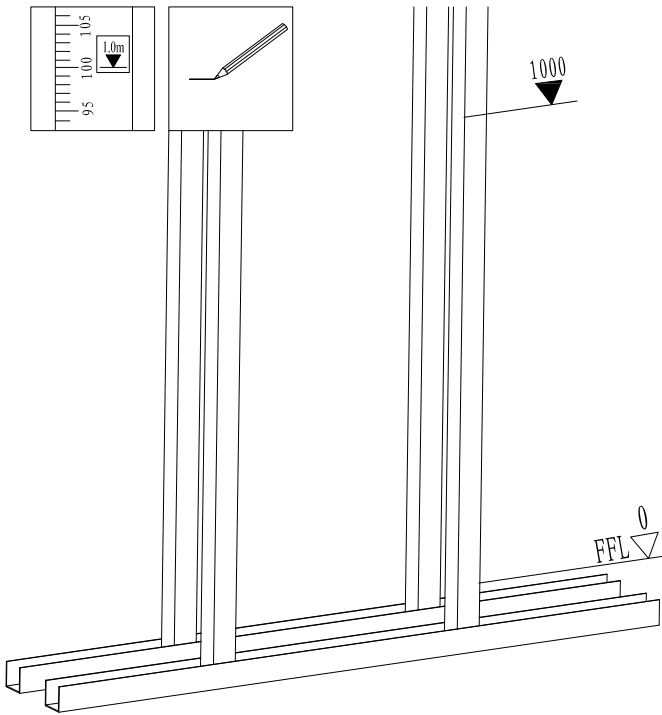


## Installation of concealed cistern



- A Install M12 rods with plastic sleeves,
- B pipe plugs and
- C mud guard during the rough-in installation
- D Complete waste elbow connection with coupling to waste pipe.

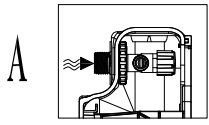
## Installation of concealed cistern



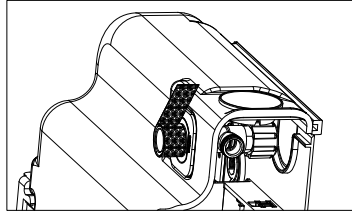
- A Install M12 rods with plastic sleeves,
- B pipe plugs and
- C mud guard during the rough-in installation
- D Complete waste elbow connection with coupling to waste pipe.

# Installation of water supply

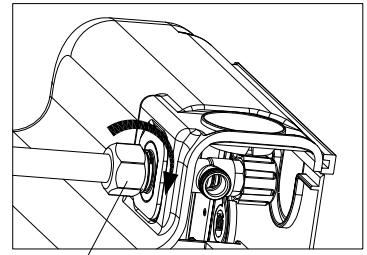
1 Optional of water inlet way



2

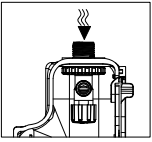


3

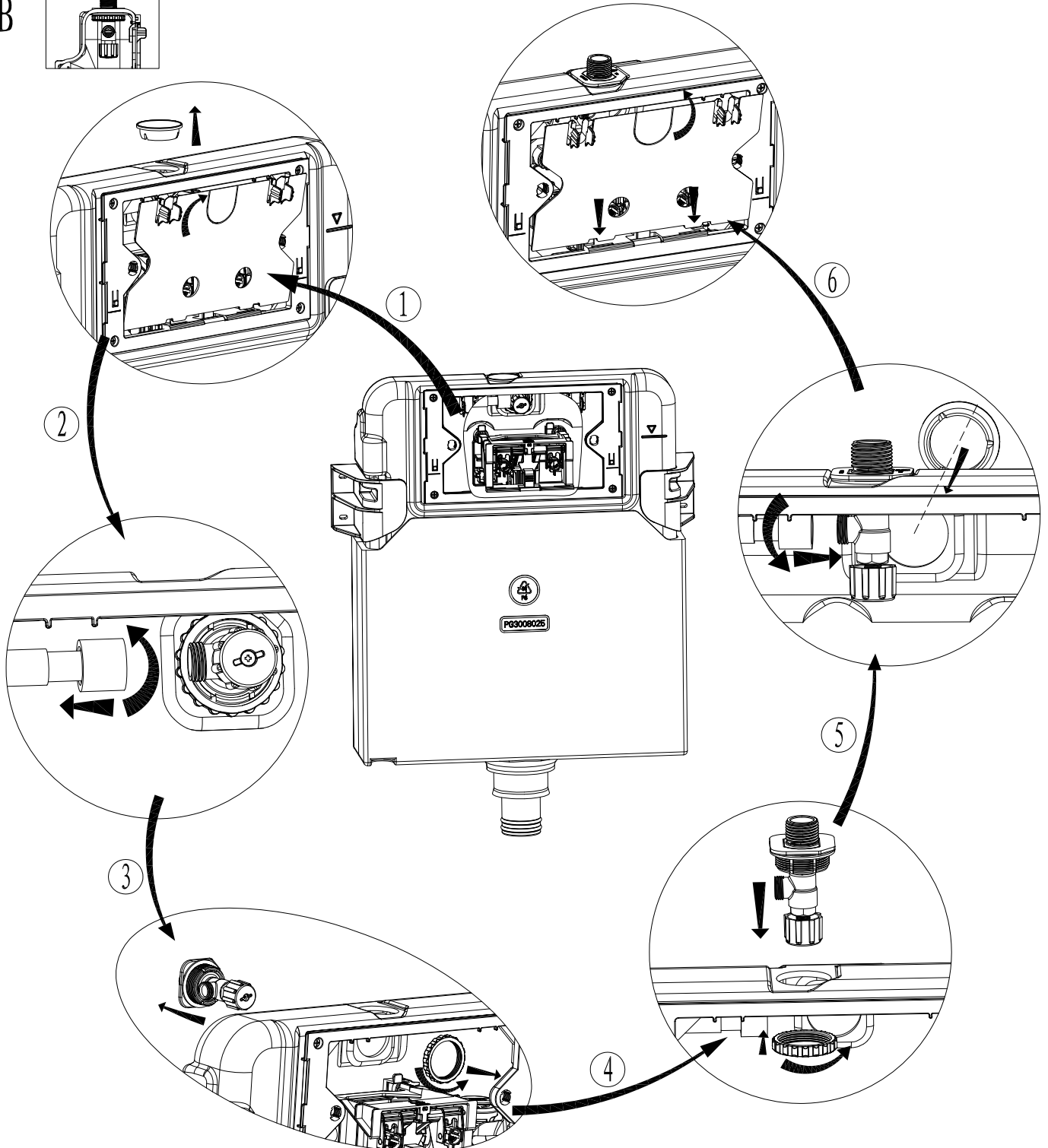


G 1/2"

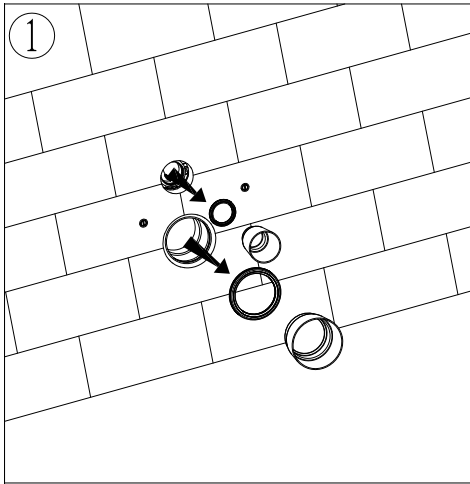
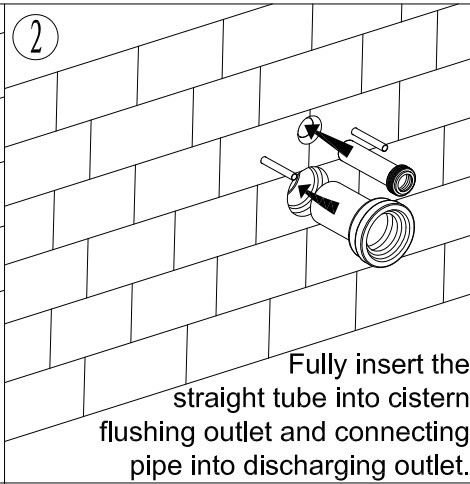
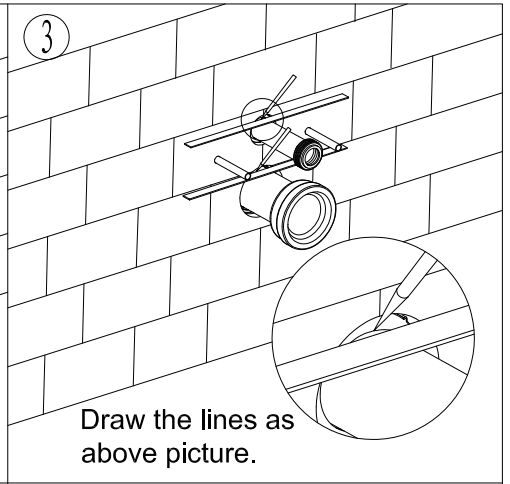
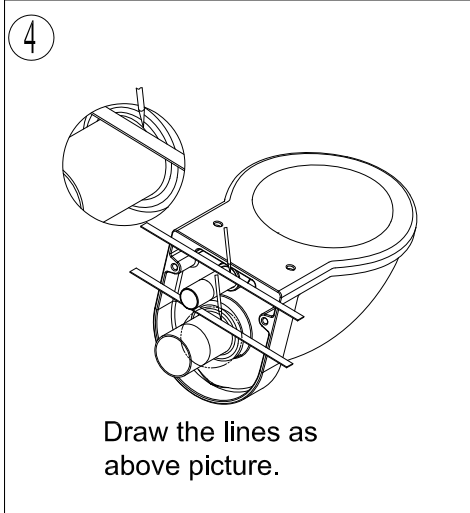
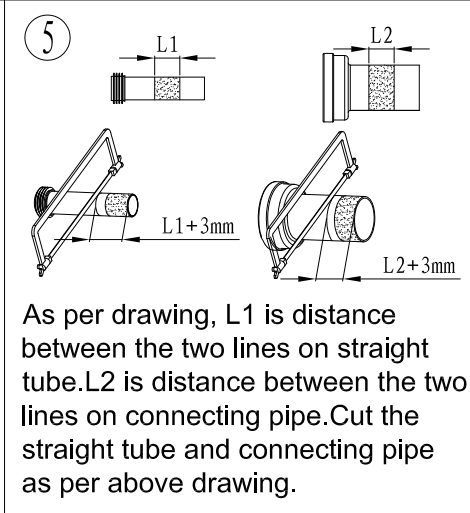
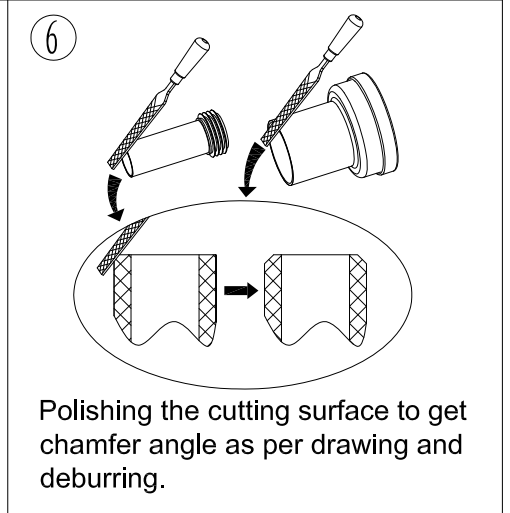
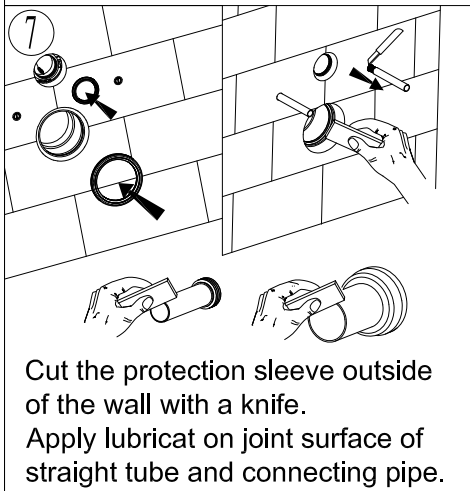
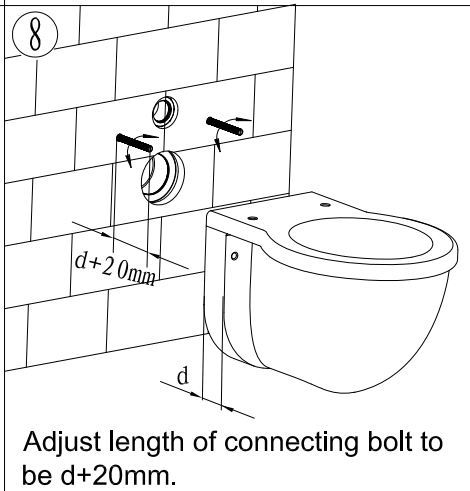
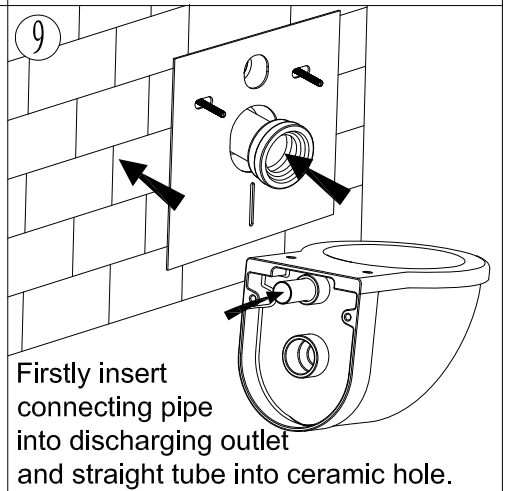
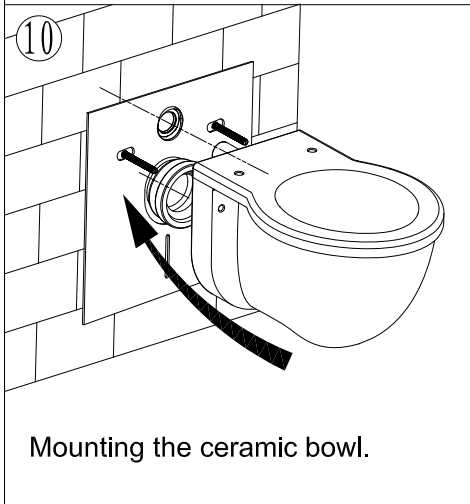
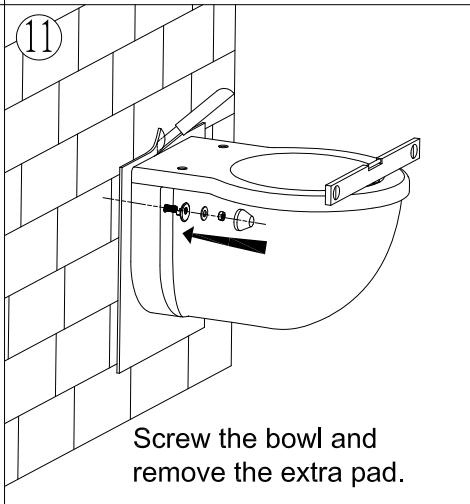
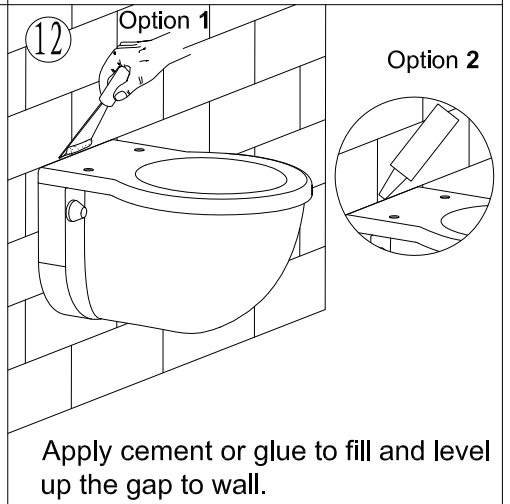
B



If choose top water inlet, need to reinstall angle valve, specific steps are as follows:



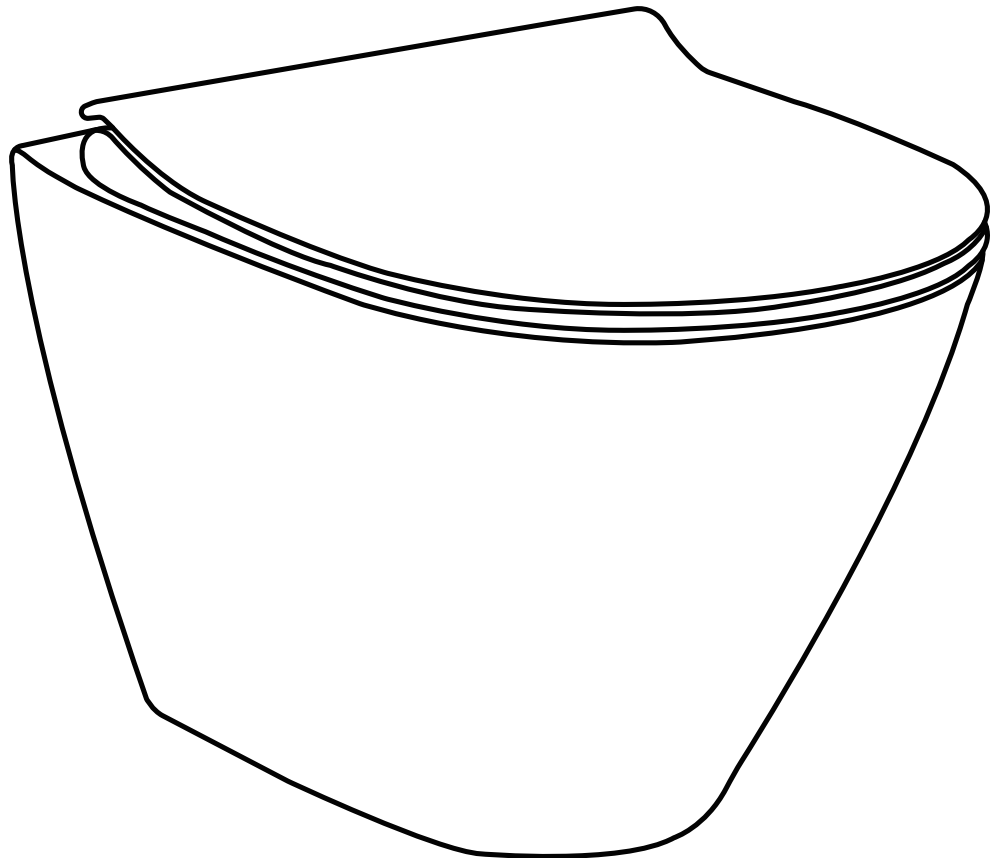
# Mounting of ceramic bowl

<p>①</p> 	<p>②</p>  <p>Fully insert the straight tube into cistern flushing outlet and connecting pipe into discharging outlet.</p>	<p>③</p>  <p>Draw the lines as above picture.</p>
<p>④</p>  <p>Draw the lines as above picture.</p>	<p>⑤</p>  <p>As per drawing, L1 is distance between the two lines on straight tube. L2 is distance between the two lines on connecting pipe. Cut the straight tube and connecting pipe as per above drawing.</p>	<p>⑥</p>  <p>Polishing the cutting surface to get chamfer angle as per drawing and deburring.</p>
<p>⑦</p>  <p>Cut the protection sleeve outside of the wall with a knife. Apply lubricat on joint surface of straight tube and connecting pipe.</p>	<p>⑧</p>  <p>Adjust length of connecting bolt to be <math>d+20\text{mm}</math>.</p>	<p>⑨</p>  <p>Firstly insert connecting pipe into discharging outlet and straight tube into ceramic hole.</p>
<p>⑩</p>  <p>Mounting the ceramic bowl.</p>	<p>⑪</p>  <p>Screw the bowl and remove the extra pad.</p>	<p>⑫</p>  <p>Apply cement or glue to fill and level up the gap to wall.</p>

# INSTALLATION INSTRUCTIONS

## WALL HUNG **TOILET**

---



**MODEL# WT12RM**



**READ ALL INSTRUCTIONS BEFORE UNPACKING THE PRODUCT**



INSTRUCTIONS THAT, IF IGNORED, COULD RESULT IN DEATH OR SERIOUS INJURY CAUSED BY INCORRECT HANDLING OR INSTALLATION OF THE PRODUCT. THESE INSTRUCTIONS MUST BE OBSERVED FOR SAFE INSTALLATION.

**ATTENTION!**



**2 PEOPLE ARE REQUIRED TO LIFT AND DURING ENTIRE INSTALLATION OF THIS PRODUCT**



**INSTALLATION OF THIS PRODUCT BY AN INEXPERIENCED INSTALLER MAY RESULT IN PERSONAL INJURY OR DEATH!**

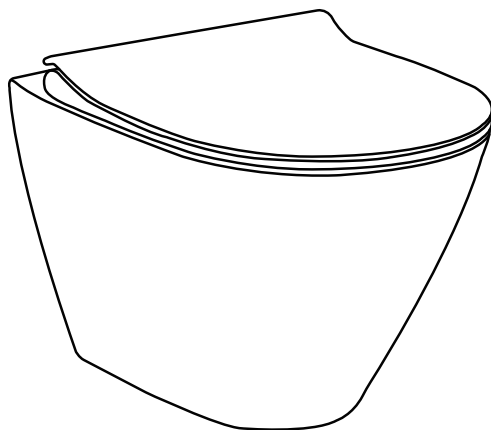


We reserves the right to change, update, modify, alter, redesign this manual/product or its policies without prior notice! It is your responsibility to visit the website to download or contact customer service for the most updated version of the installation instructions.

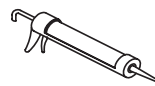
We shall not be liable for any injuries or property damages in connection with this product during installation or use of this product!

- Limited warranty is void on any commercial installation.
- We are not responsible for local code compliance for this product.
- Building and plumbing codes may vary from state-to-state in accordance to your location.
- We are not responsible for providing any compliance certifications.
- We are not responsible to provide any type of certifications for this product.
- Under no circumstances we shall not be liable for any and all incidental damages sustained in connection with this product Neither manufacture, nor distributor, nor retailer is responsible for water damage or flood caused due to use of this product.
- Under no circumstances We shall not be liable for any and all fees, cost of installation/re-installation/removal, subsequent damage or transportation in case of the product defect.

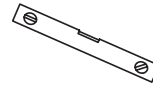
## TOILET



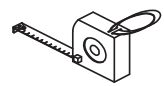
## TOOLS REQUIRED FOR INSTALLATION



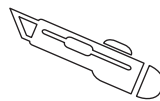
Silicone



Level



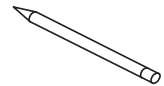
Tape Measure



Knife



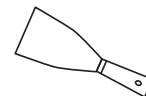
Soft Cloth



Pencil / Marker



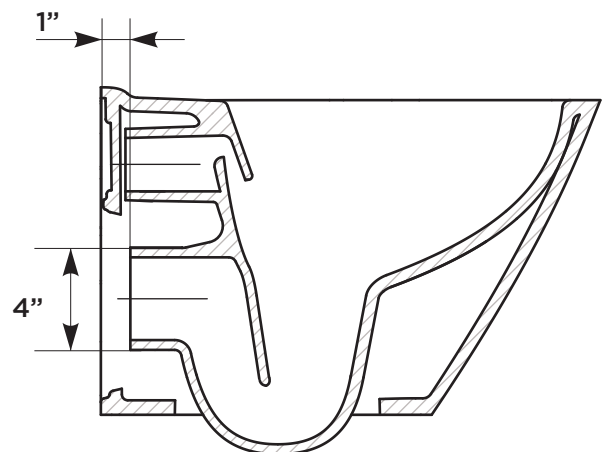
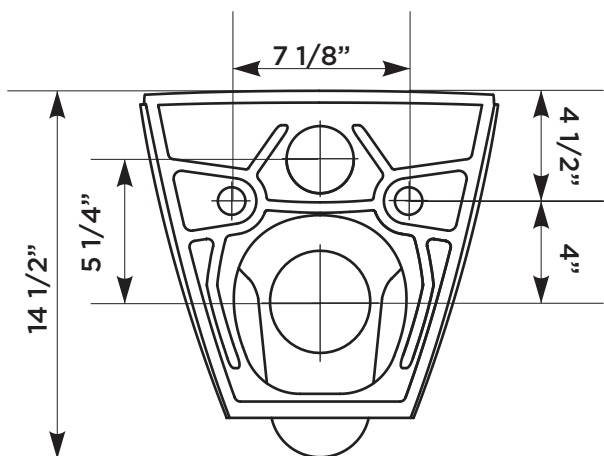
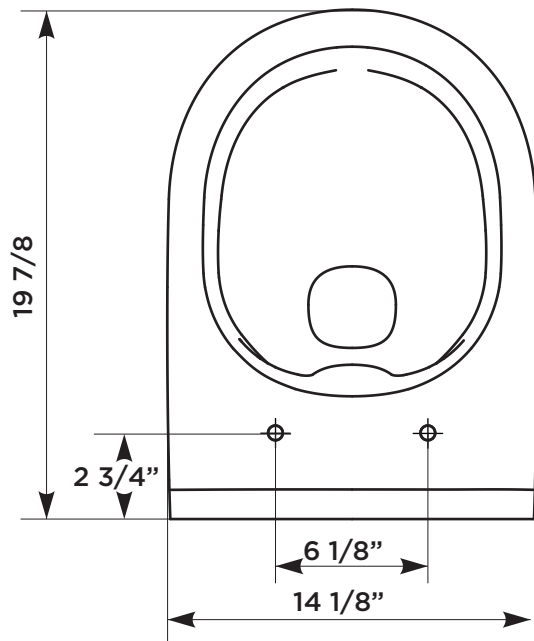
Safety Glass



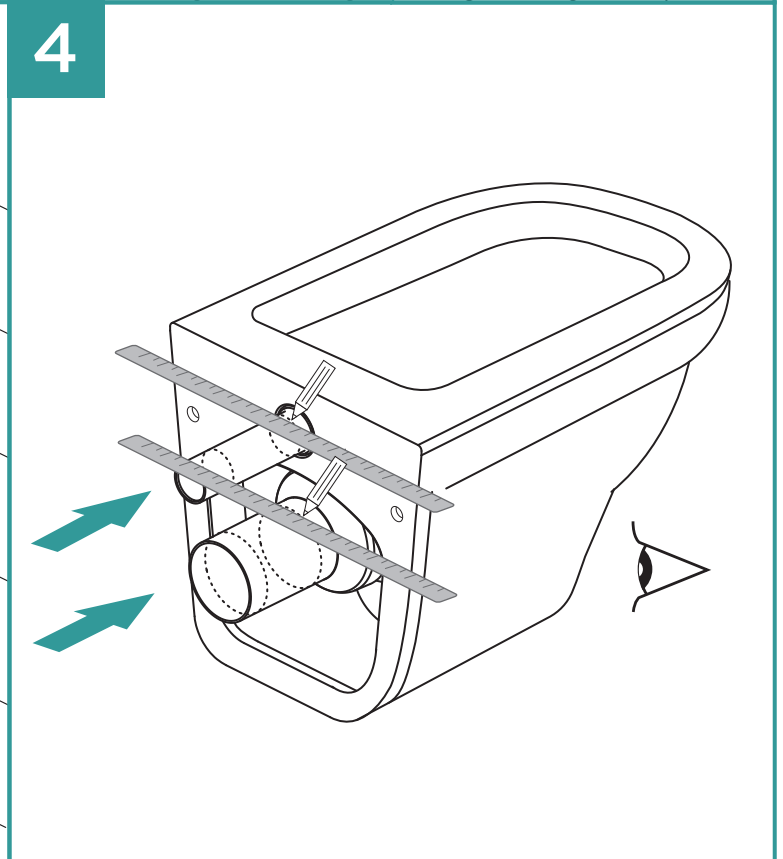
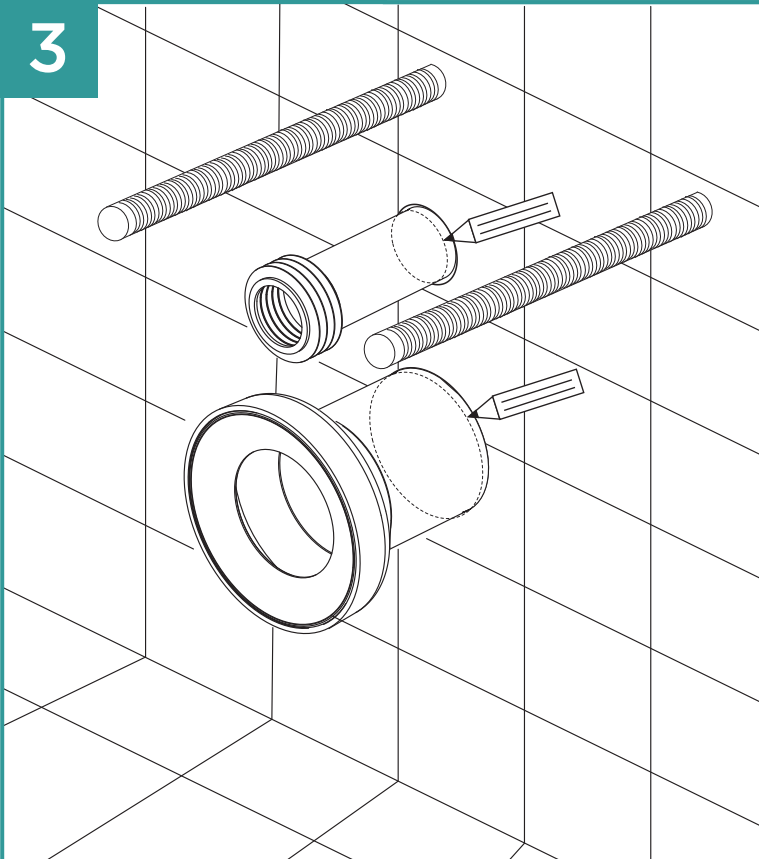
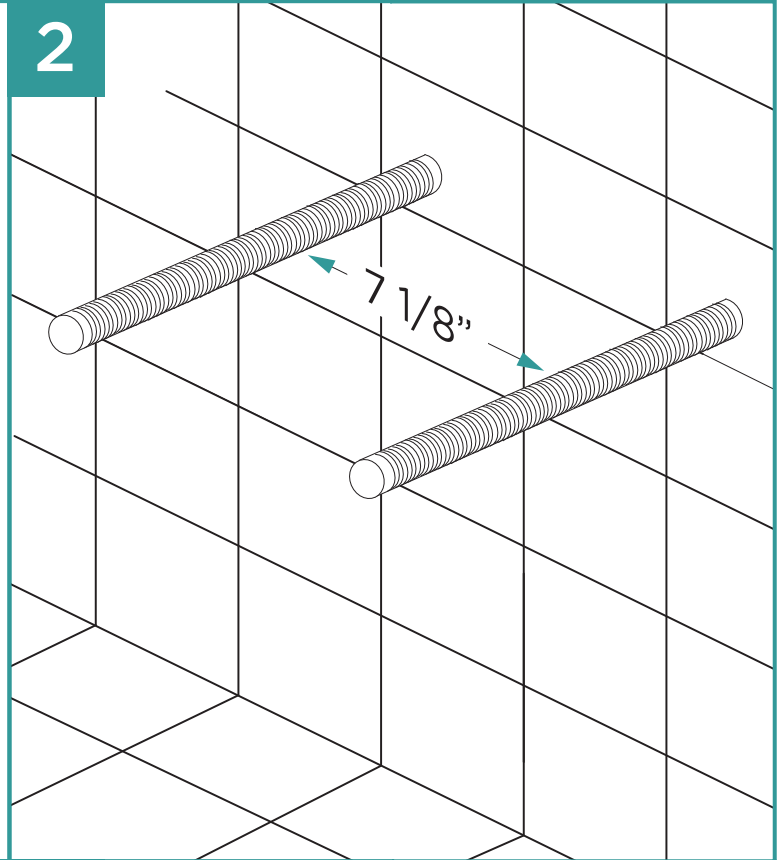
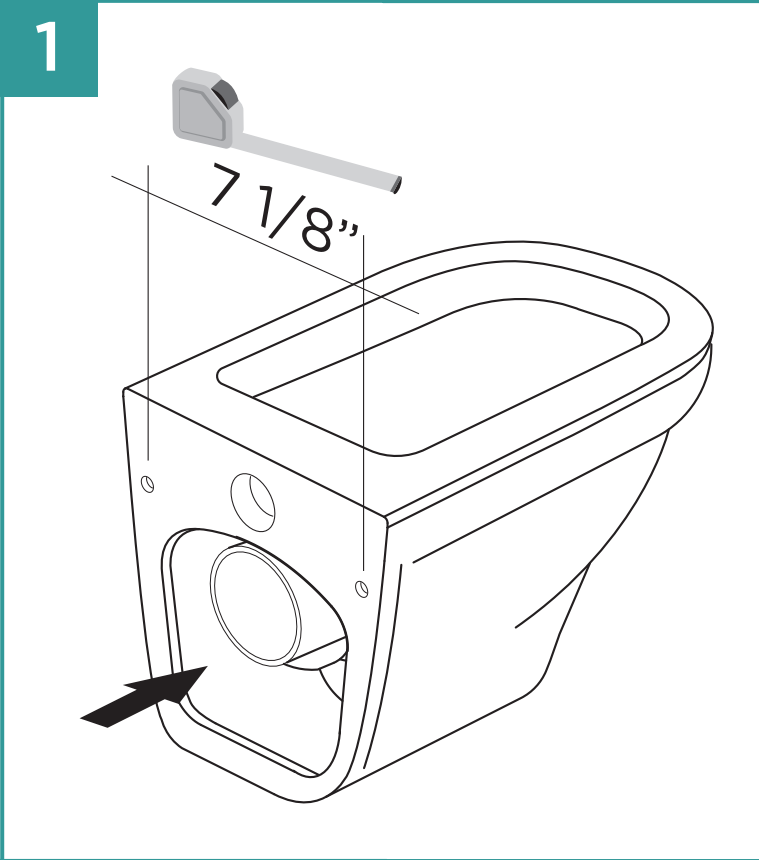
Putty Knife



## DIMENSIONS/TECHNICAL DATA MODEL# WT12RM

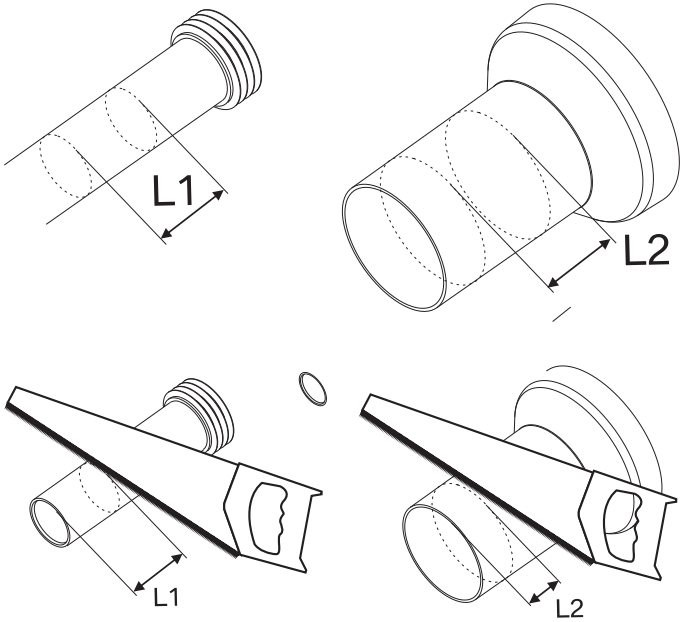


**ATTENTION!** Dimensions may vary by up to 3/8". It is highly recommended to pull all dimensions of actual model for installation and measuring purposes.

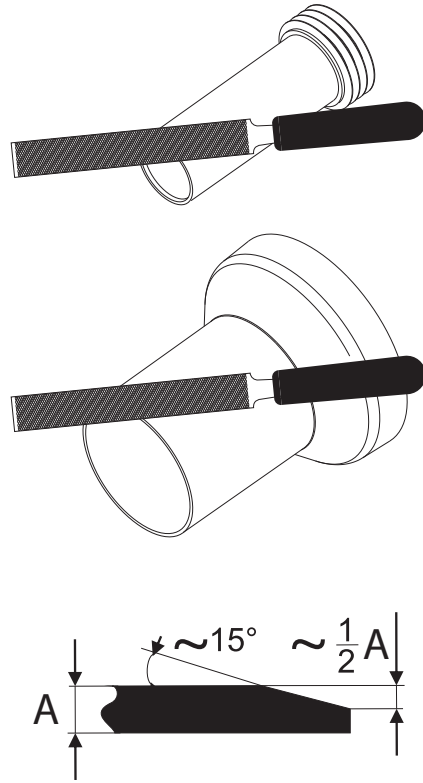




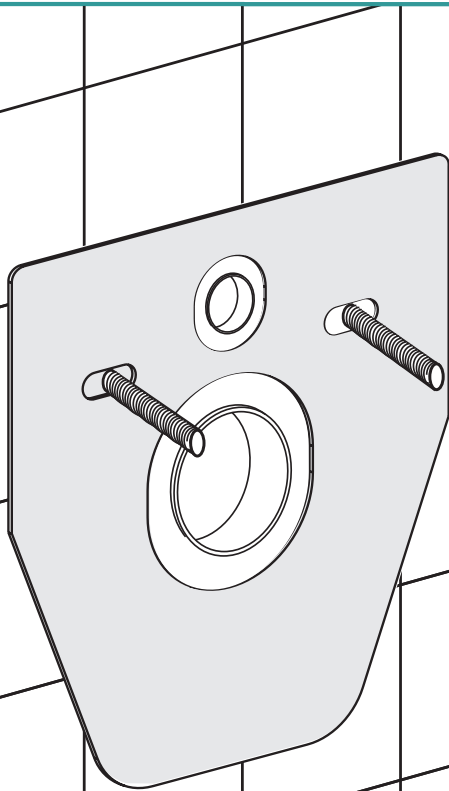
5



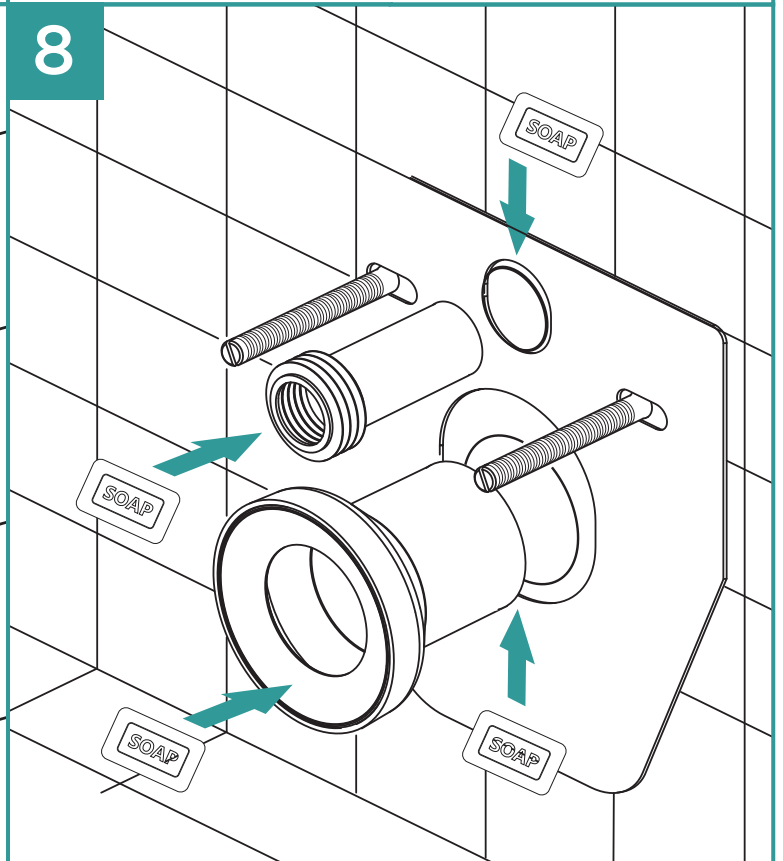
6



7

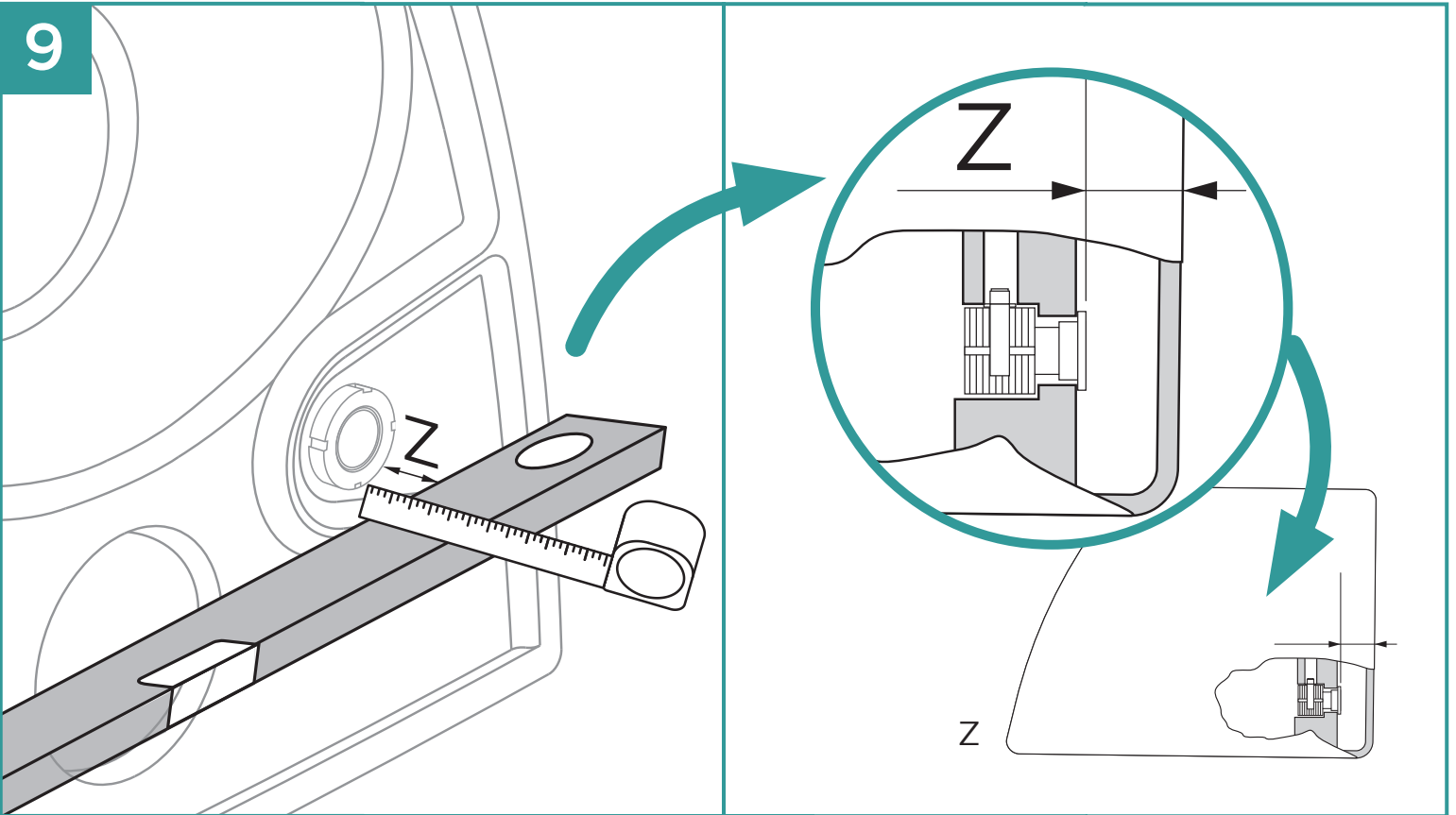


8

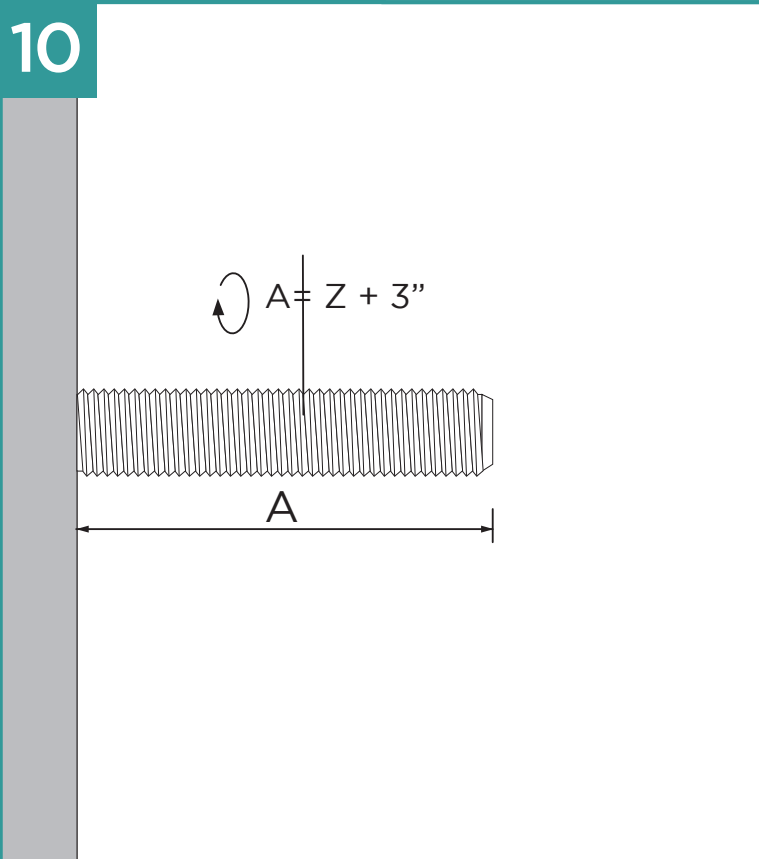




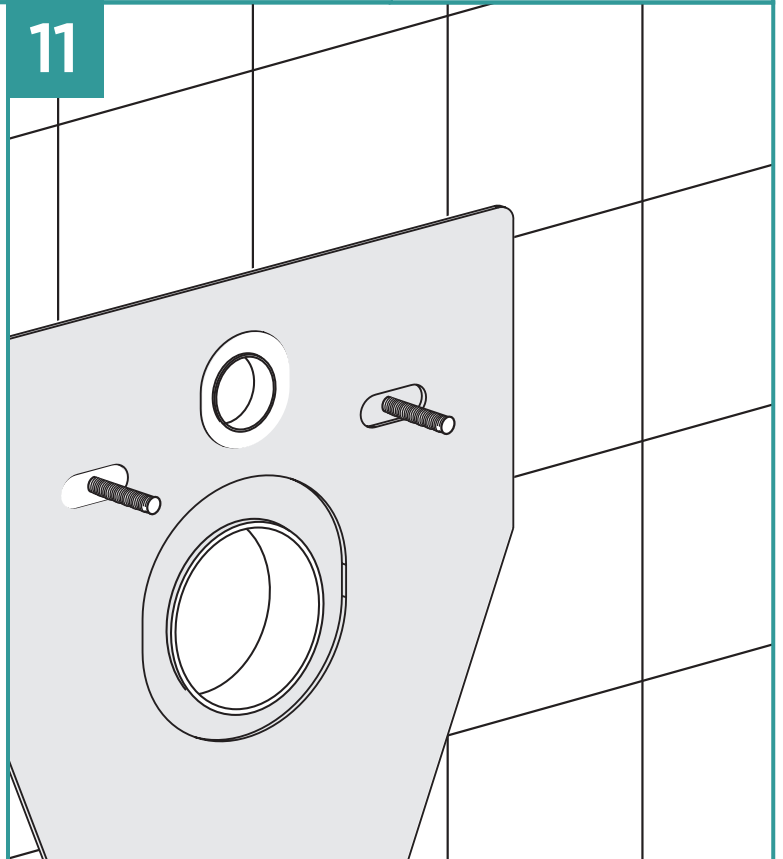
9



10

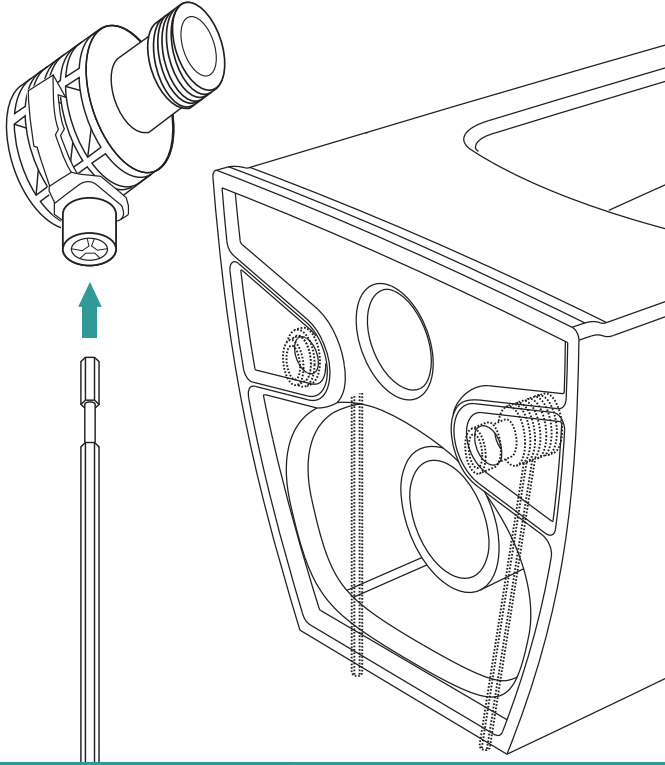


11

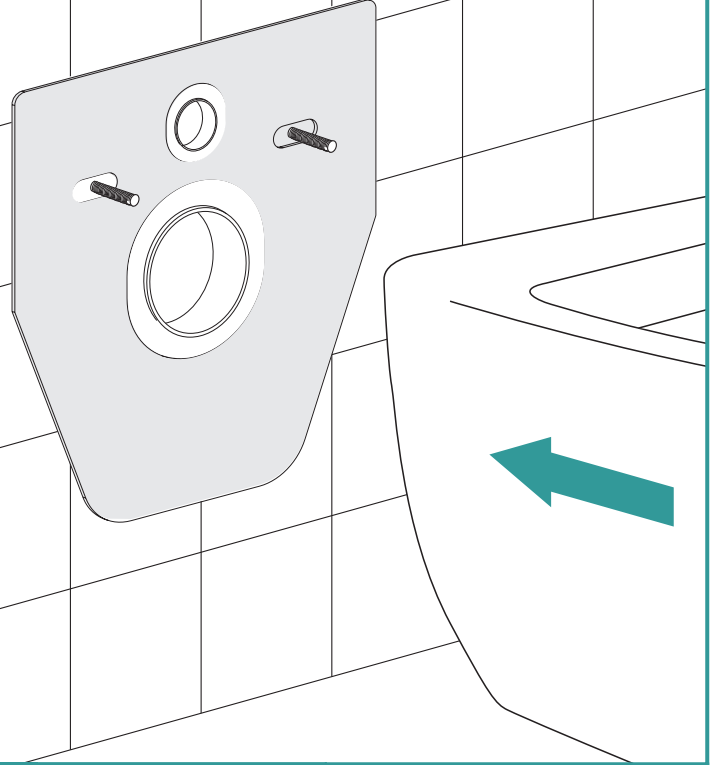




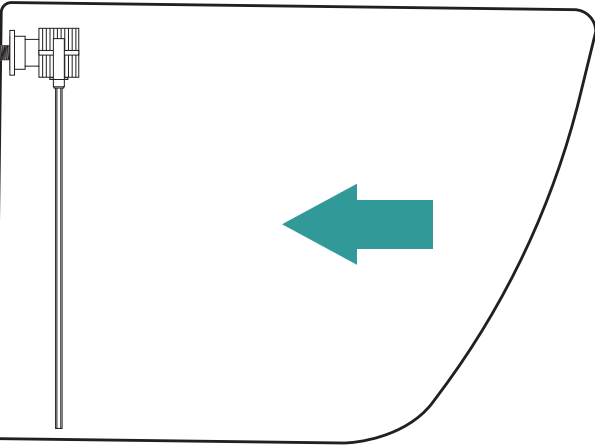
12



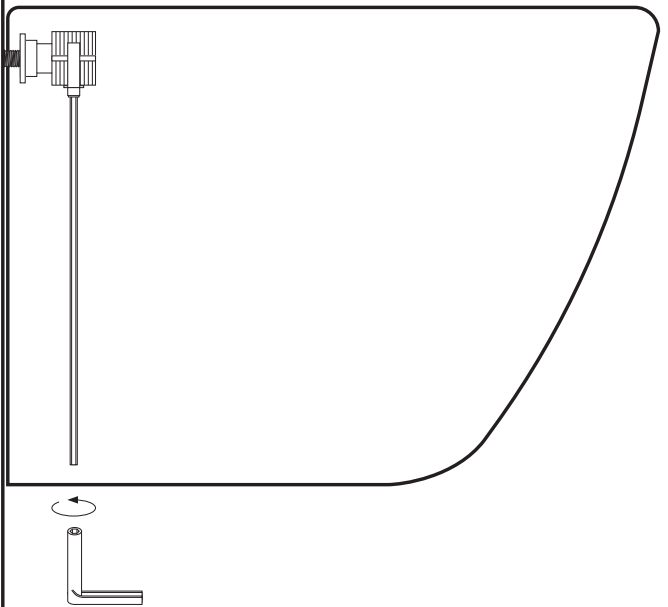
13



14



15

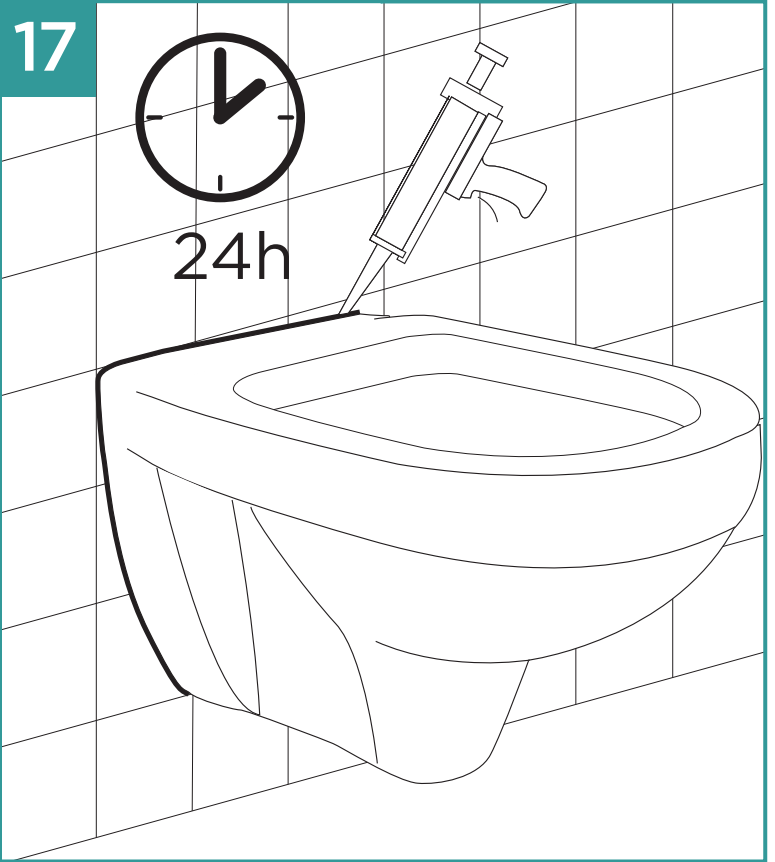




16



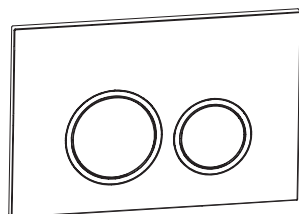
17



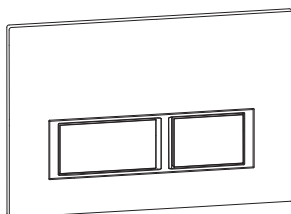
206 WEMBLY ROAD - NEW WINDSOR, NY 12553  
P: 718.602.6060 F: 718.963.2082 - E: INFO@FINEFIXTURES.COM  
TOLL FREE: 1.877.8FIXTURES  
[FINEFIXTURES.COM](http://FINEFIXTURES.COM)



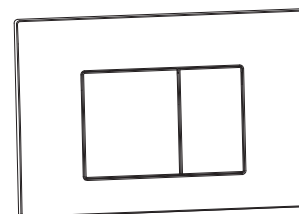
# INSTALLATION INSTRUCTIONS



**CTA11**



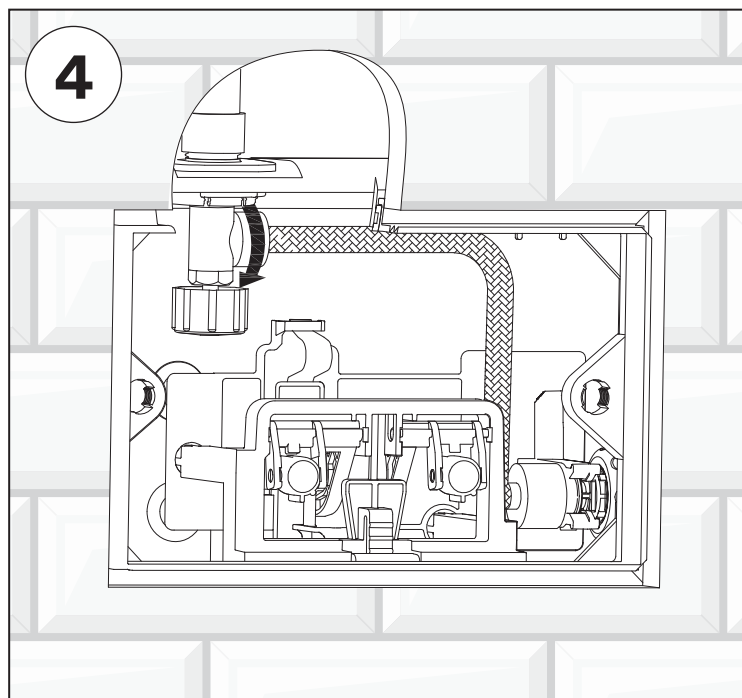
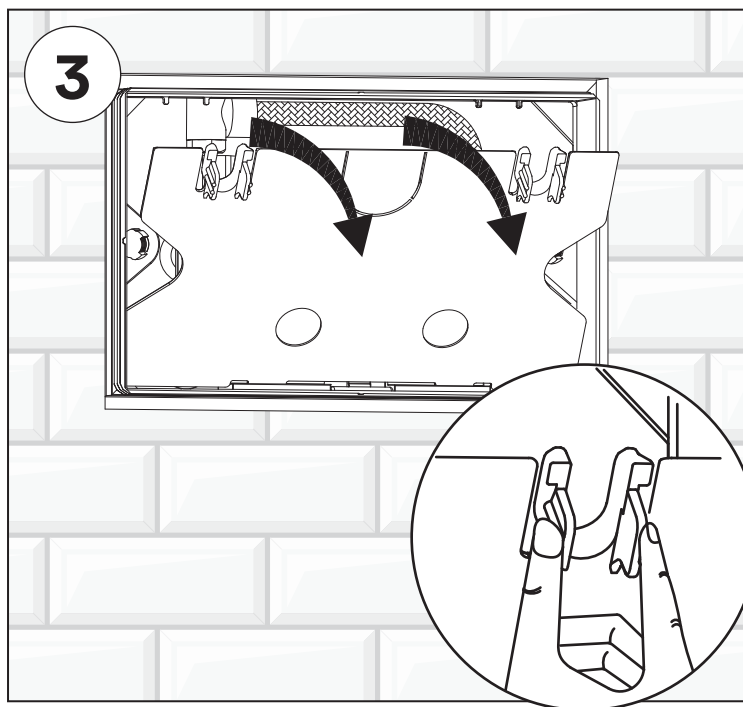
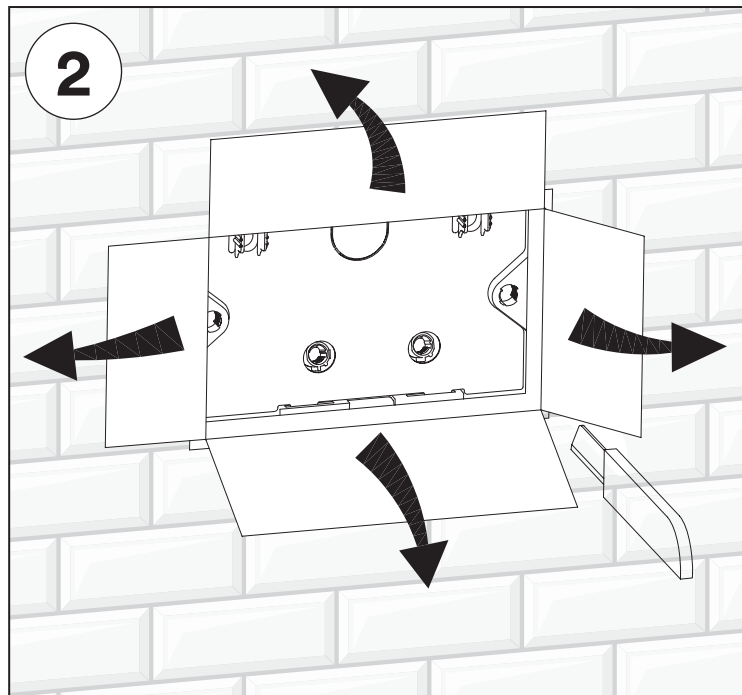
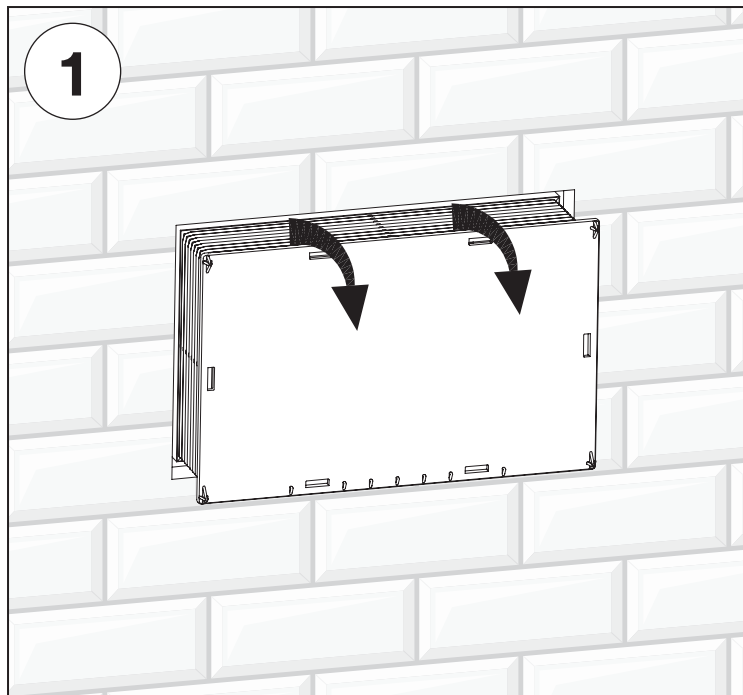
**CTA12**



**CTA09**

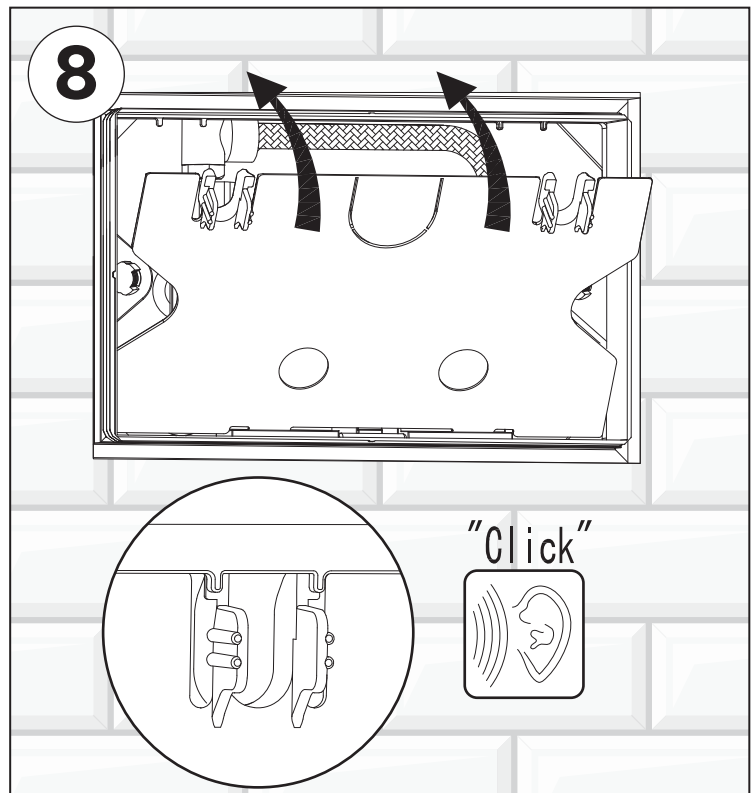
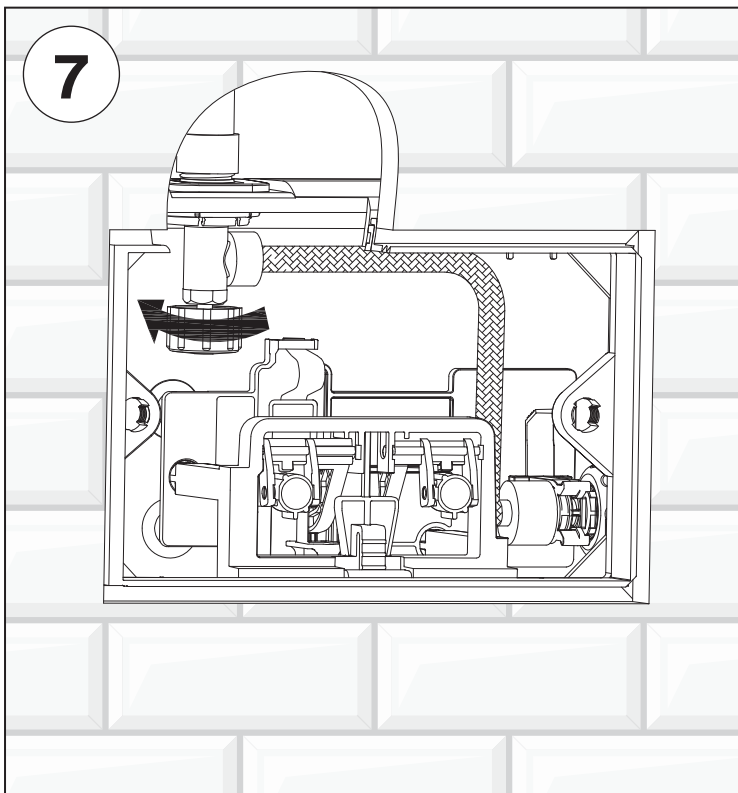
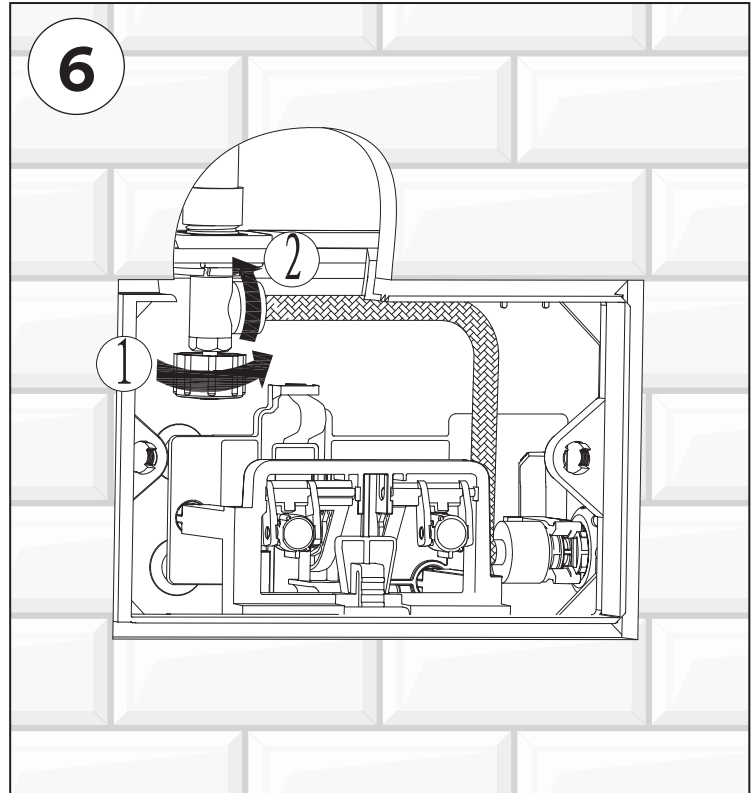
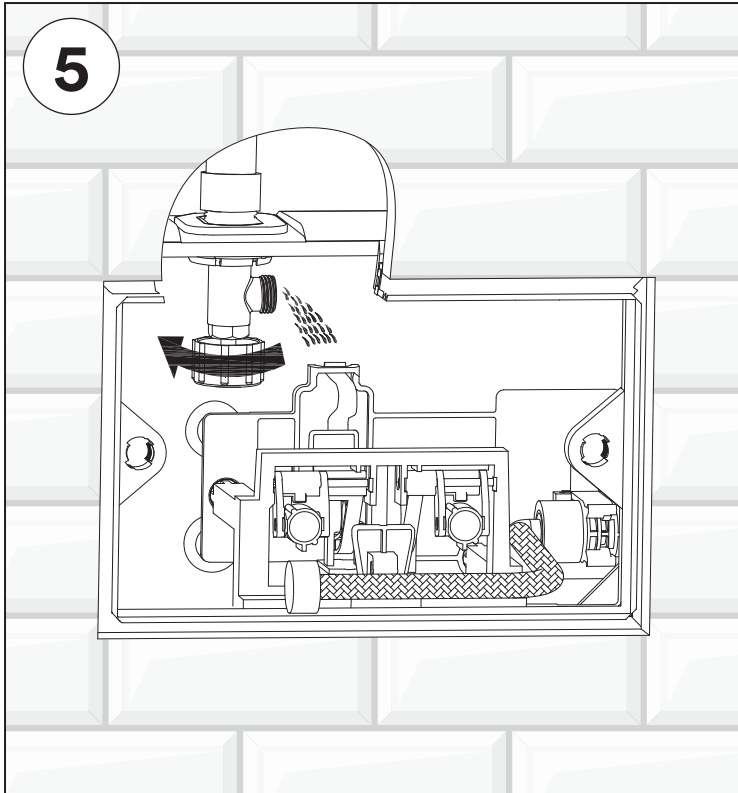
**Nebula™** CONCEALED TANKS  
NEBULA™ COLLECTION

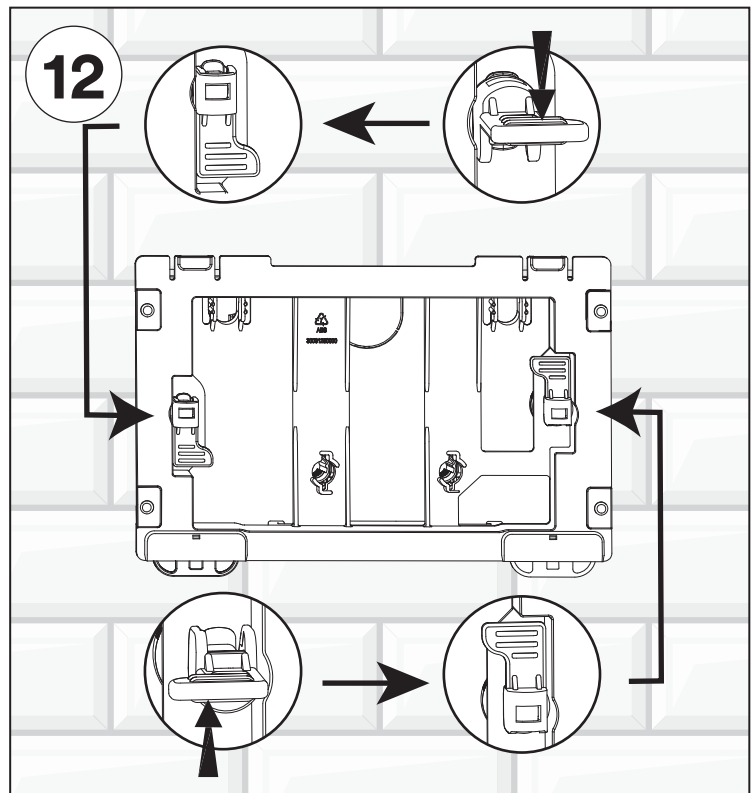
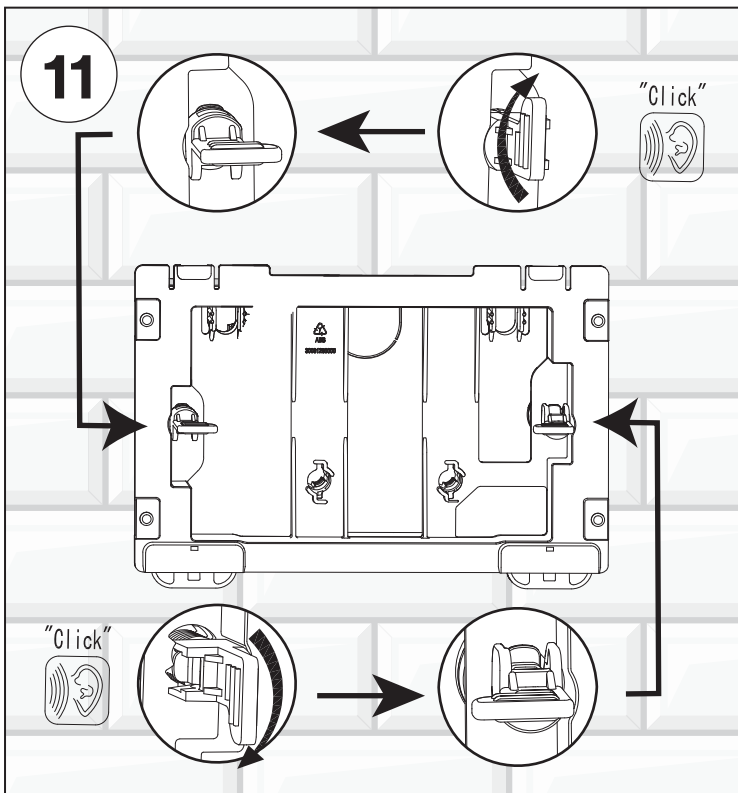
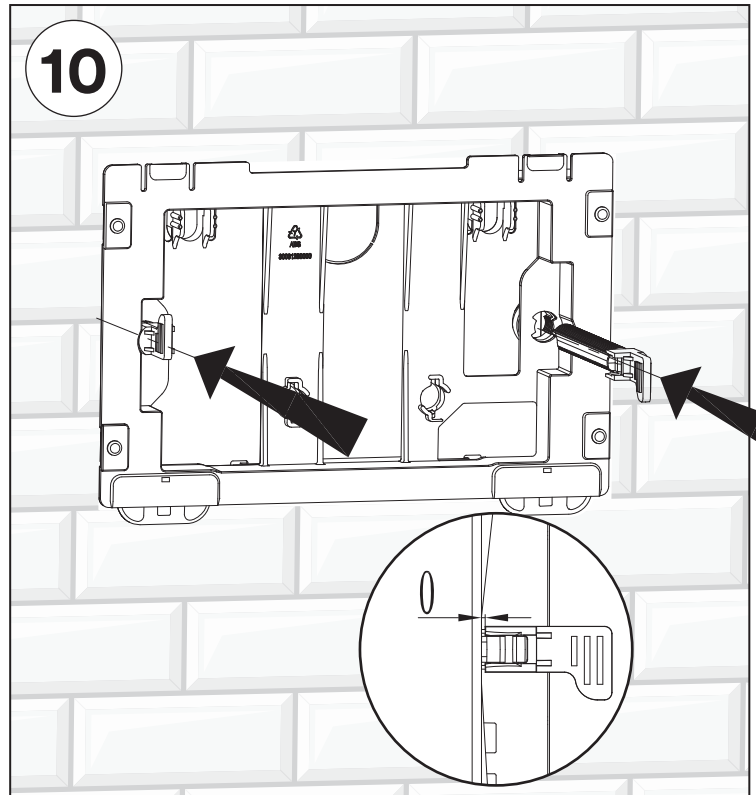
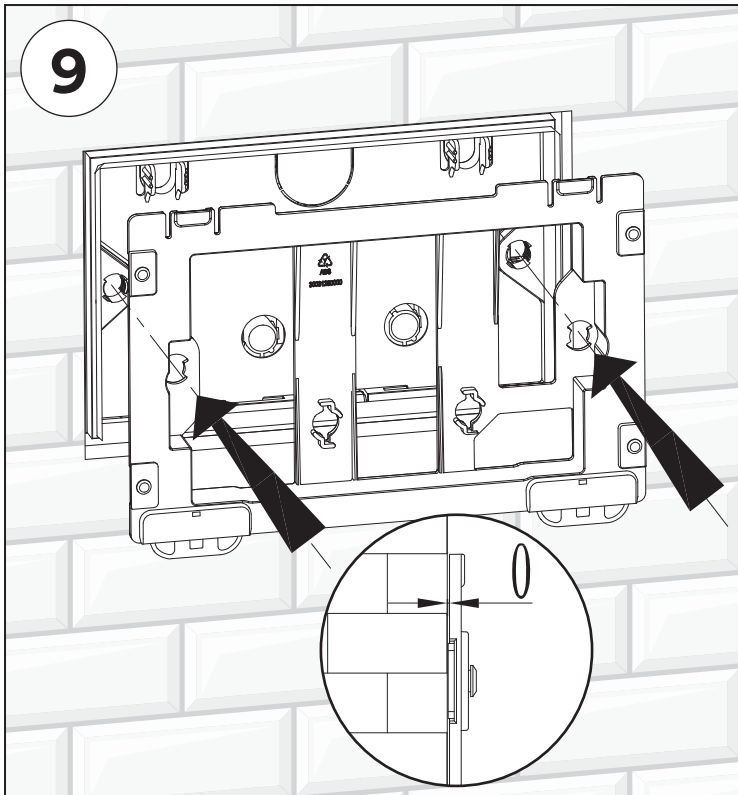
**! READ ALL INSTRUCTIONS BEFORE UNPACKING THE PRODUCT**

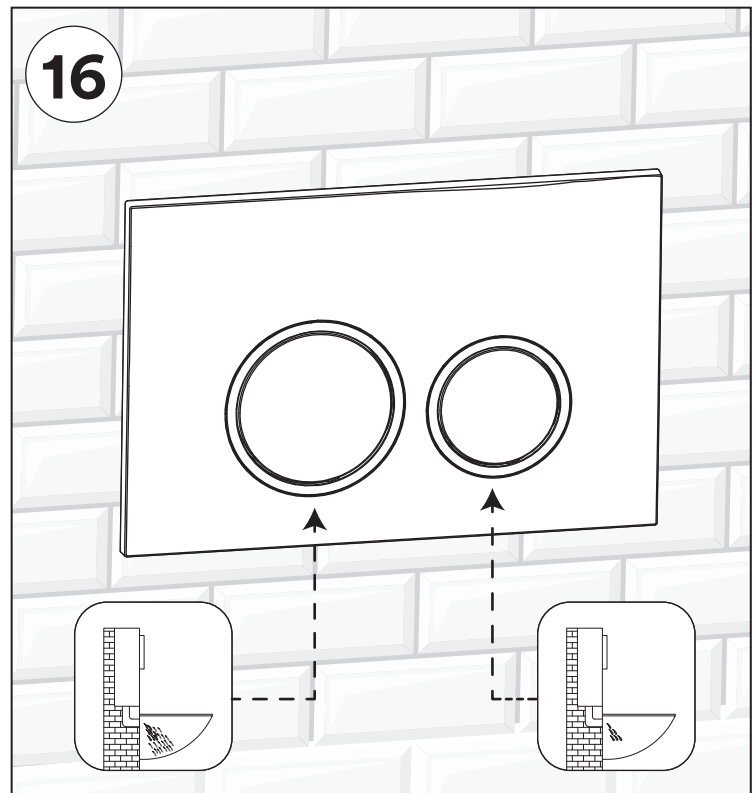
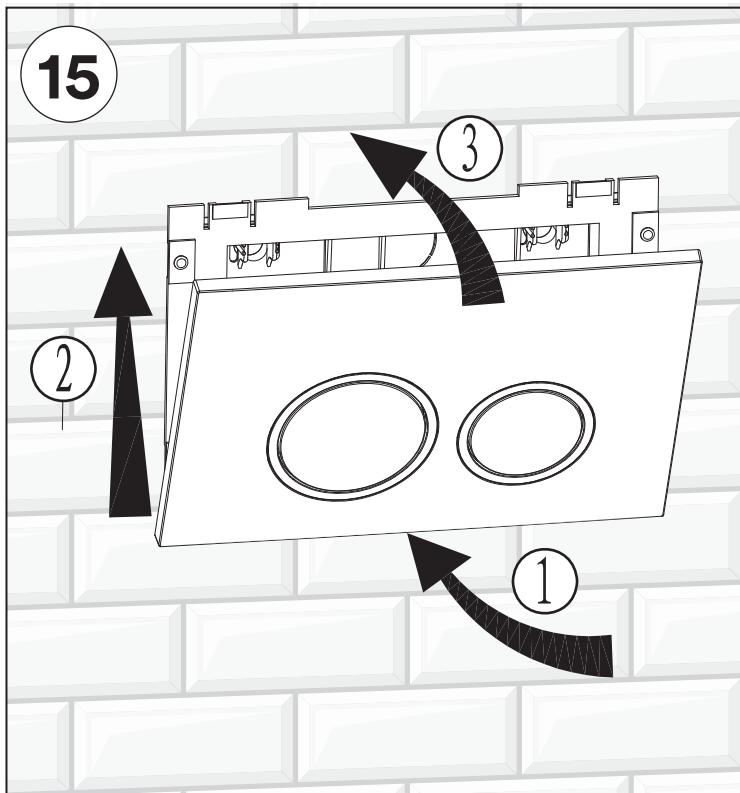
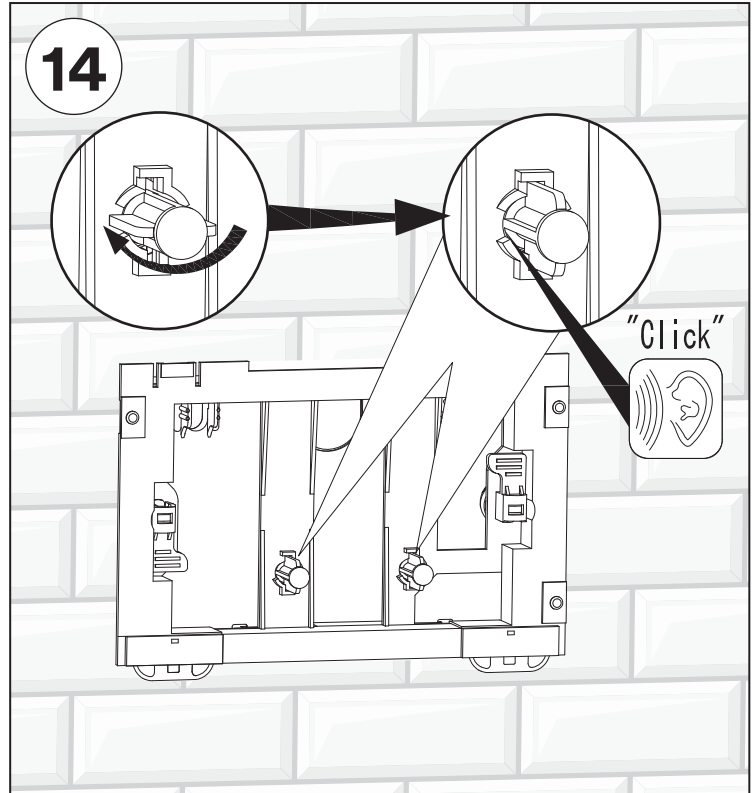
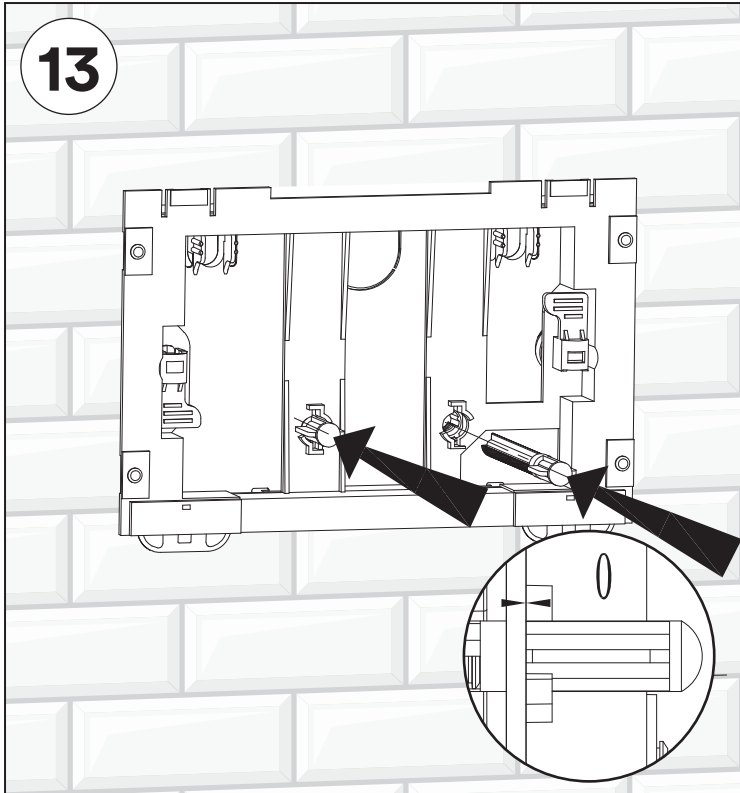


We reserves the right to change, update, modify, alter, redesign this manual/product or its policies without prior notice!  
It is your responsibility to visit website to download or contact customer service for the most updated version of the installation instructions.

We shall not be liable for any injuries or property damages in connection with this product during installation or use of this product!







Retain these installation instructions for future reference!

Thank you for using Fine Fixtures!