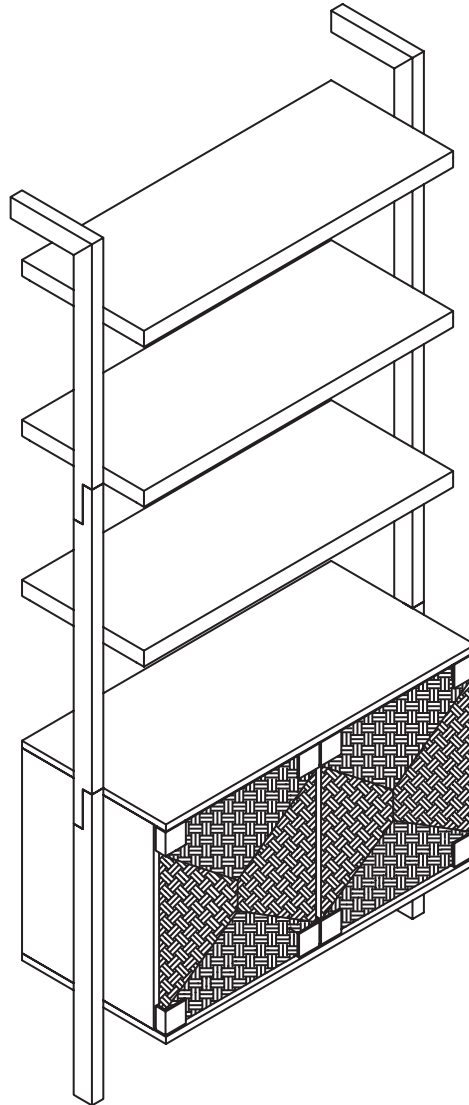


Let's build the

# Beacon Bookshelf

SKU 67601



**Scan me!**

Free Lifetime  
Warranty

nathan james

23-1017-VN

# Ok, let's get rolling

This should be easy, just follow our instructions and you will be back to Netflix in no time.

## Estimated time for assembly



80:00

## What you need

- Some bubbly or your preferred relaxant
- Use the packaging carton as a working surface to prevent product damage during assembly
- Phillips head screwdriver
- Drill
- 1/4" Drill Bit

## Weight Limitation



110

lbs max weight capacity

Storage Cabinet Top Max. Capacity: 25lbs.

Adjustable Shelf Max. Capacity: 20lbs.

Bottom Cabinet Shelf Max. Capacity: 20lbs.

Open Shelf Max. Capacity: 15lbs. per shelf (x3)

## What's included

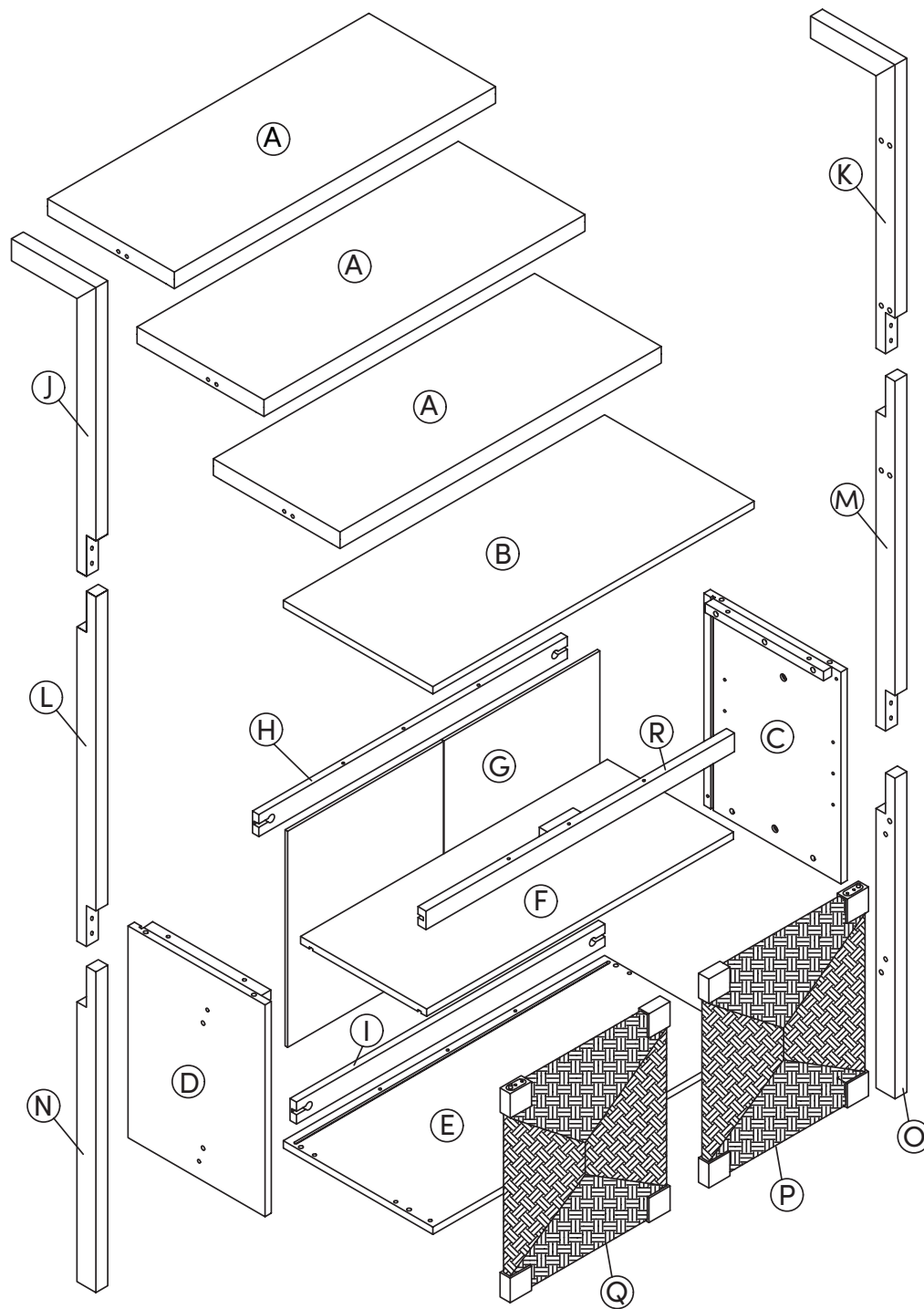
Description	Qty
A Top Open Shelf Panel	3
B Cabinet Top Panel	1
C Cabinet Right Side Panel	1
D Cabinet Left Side Panel	1
E Cabinet Bottom Panel	1
F Adjustable Shelf	1
G Back panel	1
H Top Stretcher (Back)	1
I Bottom Stretcher (Back)	1
J Top Vertical Support (Left)	1
K Top Vertical Support (Right)	1
L Middle Vertical Support (Left)	1
M Middle Vertical Support (Right)	1
N Bottom Vertical Support (Left)	1
O Bottom Vertical Support (Right)	1
P Left Door	1
Q Right Door	1
R Top Stretcher (Front)	1

Scan me!

Free Lifetime  
Warranty







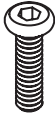























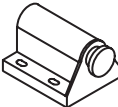

# The goods



## IMPORTANT

1. Do not tighten bolts / screws completely until all bolts / screws are lined up and inserted into holes.
2. Do not over tighten screws and bolts to avoid stripping.

# What's included

Description		Qty			
1	M6*35mm Cam Bolt	6			
2	1/4\" data-bbox="146 238 416 253"/>	28			
3	Flat Washer	32			
4	Allen Key	1			
5	M8*30mm Wooden Dowel	12			
6	15* 10 mm Cam Lock	6			
7	M4*35 mm Screw	9			
8	1/4\" data-bbox="146 548 416 563"/>	4			
9	Barrel Nuts	4			
10	Shelf Pin	4			
11	M4*50mm Screw	3			
12	Wall Anchor	3			
13	M3* 15 mm Screw	8			
14	Magnetic Door Catch	2			
15	Flat Washer (Plastic)	8			

# Step 1

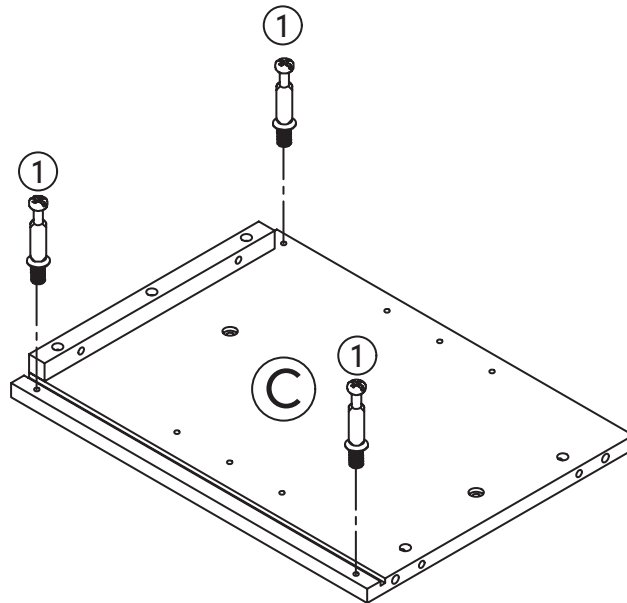
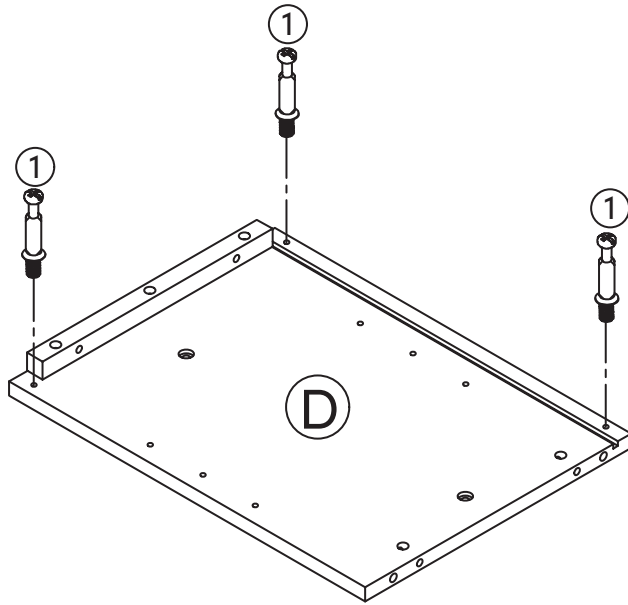
Let's get this thing fired up! Start by placing three Cam Bolts (1) into the Cabinet Left Side Panel (D) and three Cam Bolts (1) into the Cabinet Right Side Panel (C). Use a screwdriver to tighten.



1



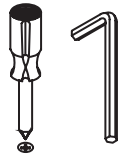
x6



# Step 2

You can pull out the Allen Key for this step!

Secure the side panels from Step 1 onto the Cabinet Top Panel (B) as pictured below. Be sure to place a Flat Washer (3) onto the Hex Button Head Bolt (2) before tightening.



2



x4

3

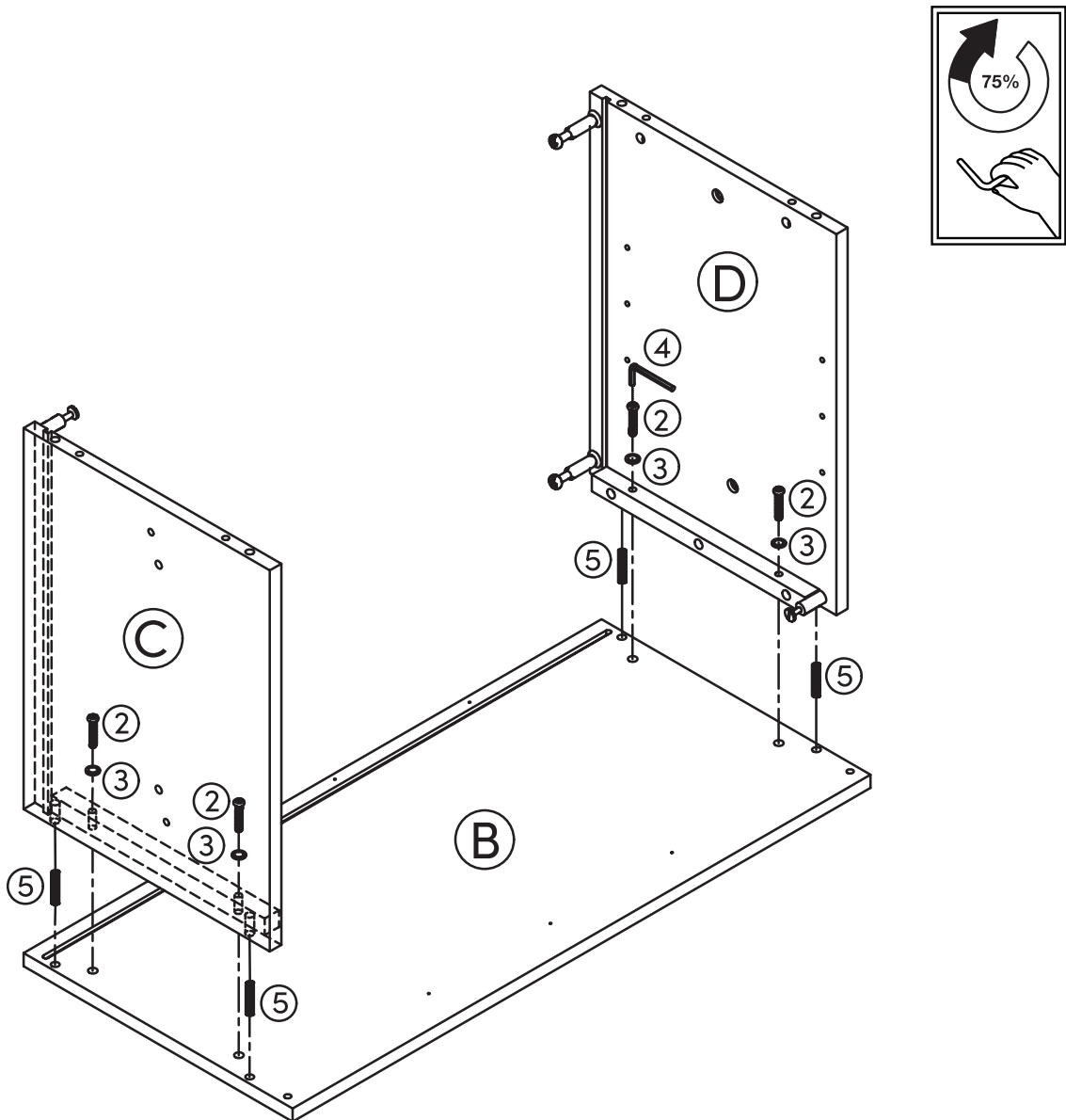


x4

5



x4



# Step 3

Secure the Magnetic Door Catches (14) to the Top Stretcher (R) using the M3\* 15 mm Screws (13). Pay careful attention that the door catches are facing the correct way!

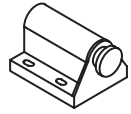


13

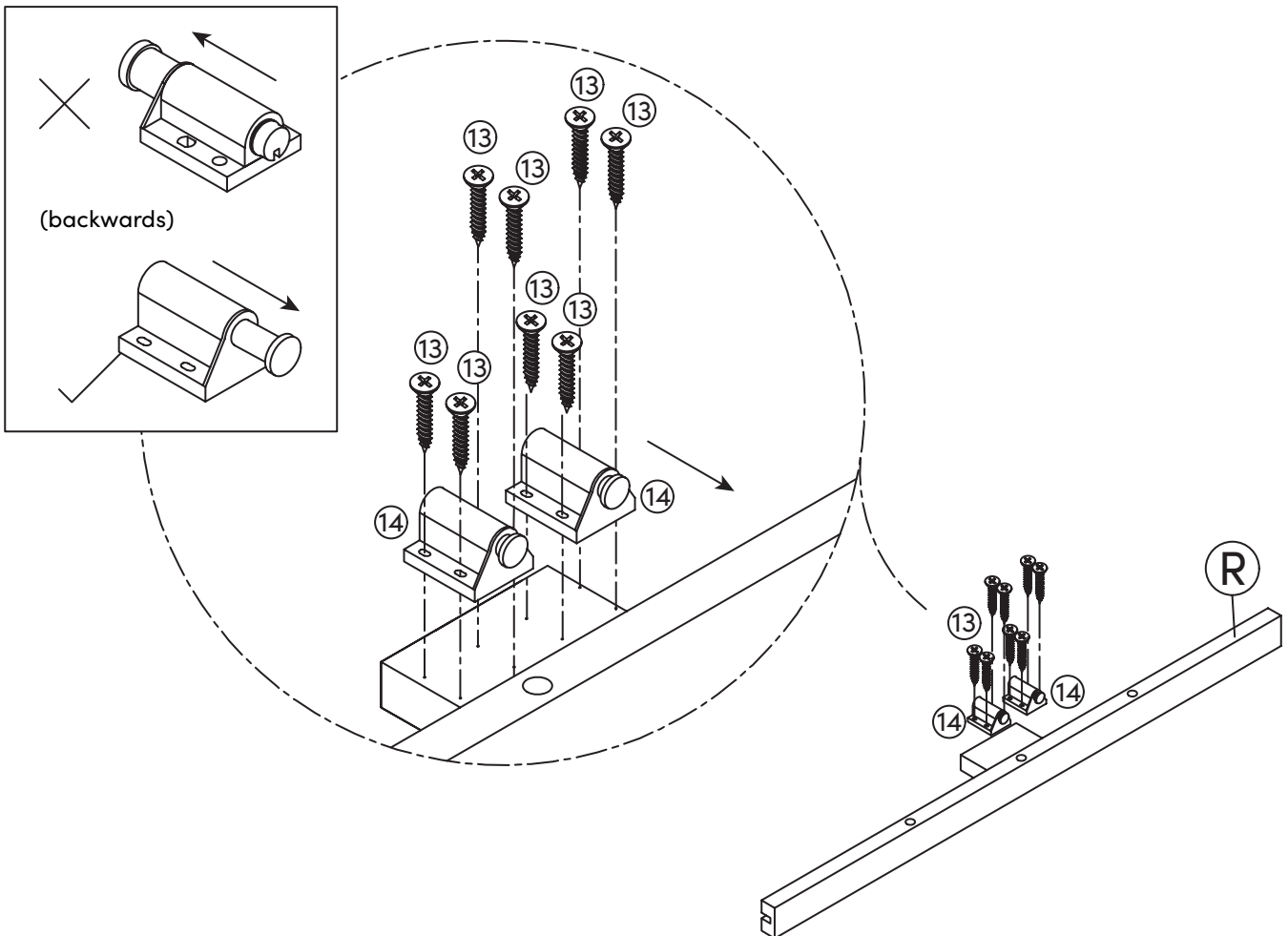


x8

14



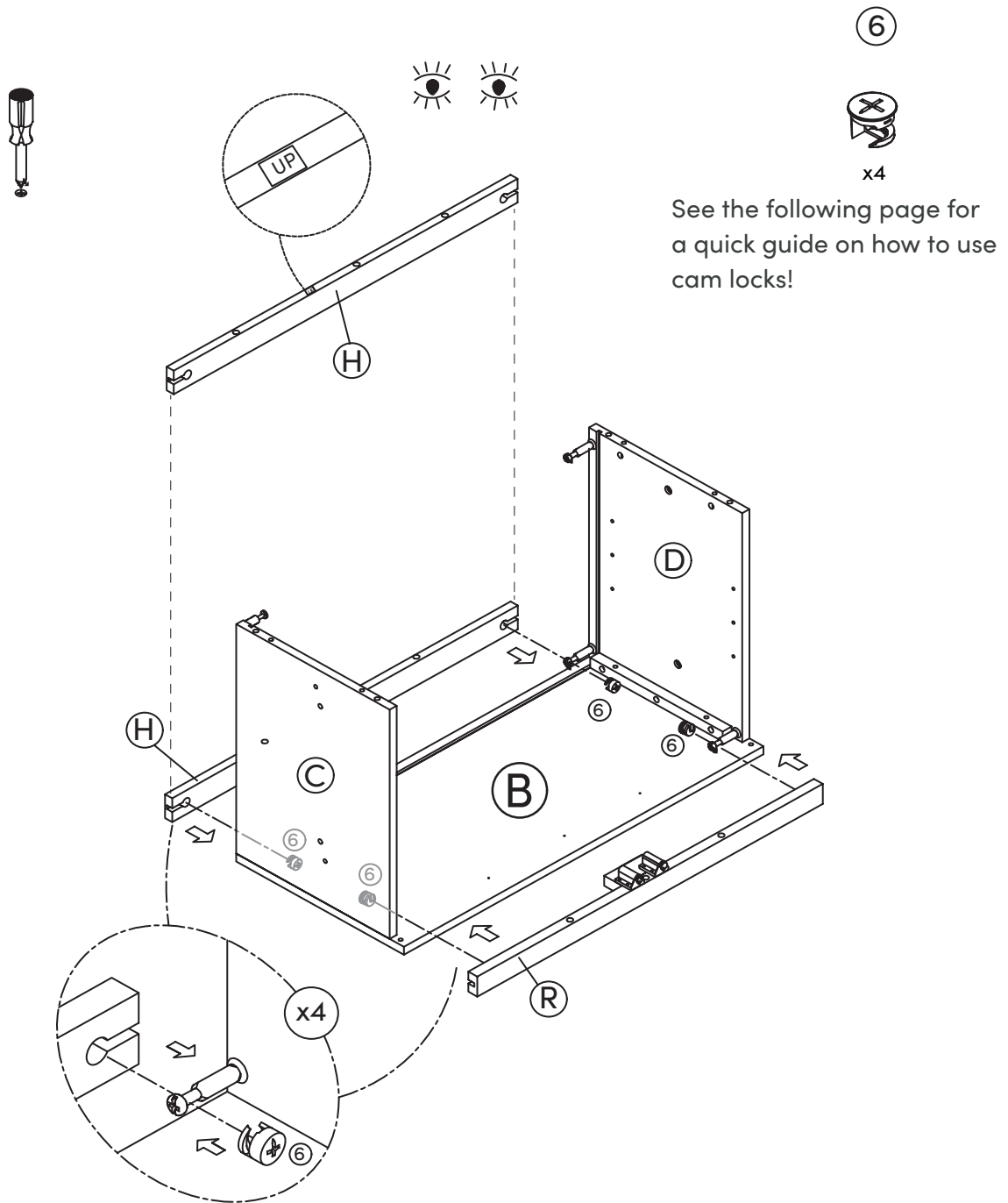
x2



# Step 4

Secure the Top Stretcher Back (H) and Top Stretcher Front (R) to the Cabinet Top Panel (B) using the Cam Locks (6).

Double check to make sure the Top Stretcher (H) is facing the right way before tightening!



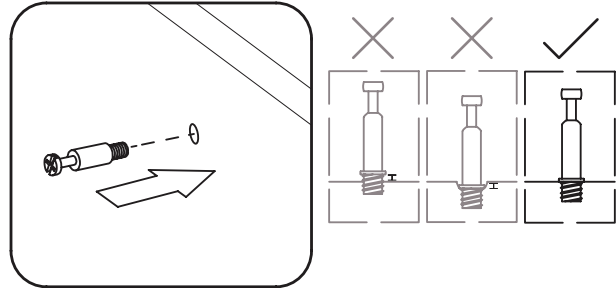
# How to use cam locks

## Did you know?

Cam locks are used to join two panels together, usually the edge of one to the flat side of another.

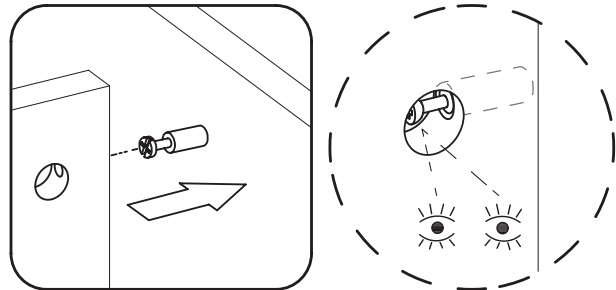
First, your cam bolt (or cam pin) will need to be properly inserted into the flat side of the board.

**Important Note:** Only tighten the cam bolt until it is secure. Do not over-tighten.



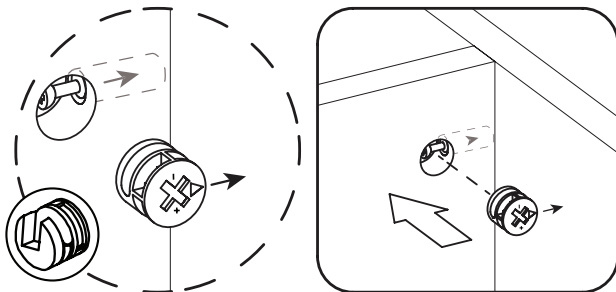
Next, you will fit the proper hole on the edge of the associated joining panel over the cam bolt.

**Important Note:** When installed properly, the head of the cam bolt will be visible through the larger hole on the side of the joining panel.



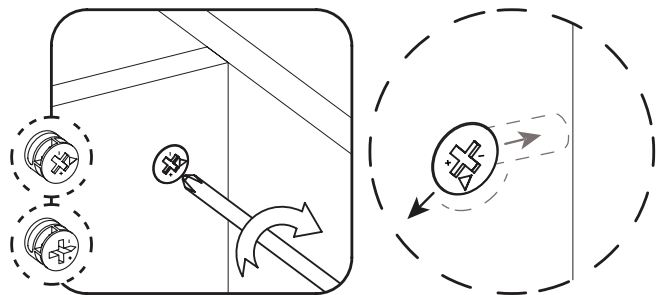
Next, you will notice the cam lock has a “C” shaped back. Commonly, an arrow on the front of the cam lock points in the same direction as the open section on back.

Using these as your cue, insert the cam lock into the large hole so the opening of the “C” fits over the head of the cam bolt.



Using a screwdriver, you will turn the cam lock until it stops, usually between 130° or 180°. You will feel the panels pulling closer until they are secured.

**Important Note:** Only turn the cam lock until the panels are fully engaged & feel secure. Turning too far may lead to hardware failure.



## Still having issues?

If a cam lock seems to be spinning in place or is not “catching” or pulling the panels together as expected, first remove the cam lock & try again while making sure that everything is properly positioned & oriented.

If you are still having issues getting things working as expected, first remove the cam lock then unscrew the cam bolt slightly (less than 1 complete turn) to see if that helps with the alignment of the cam lock & bolt.

# Step 5

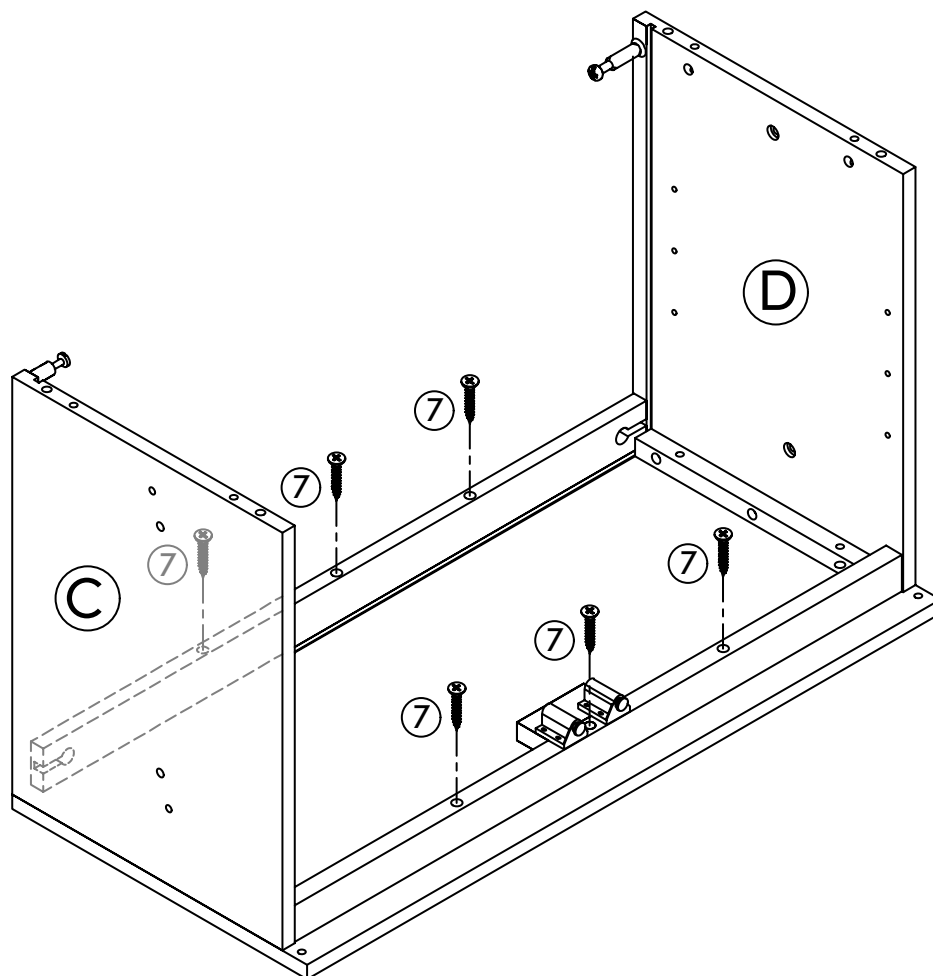
Tighten the Top Stretcher Back (H) and Top Stretcher Front (R) using the M4\*35 mm Screws (7).



7



x6



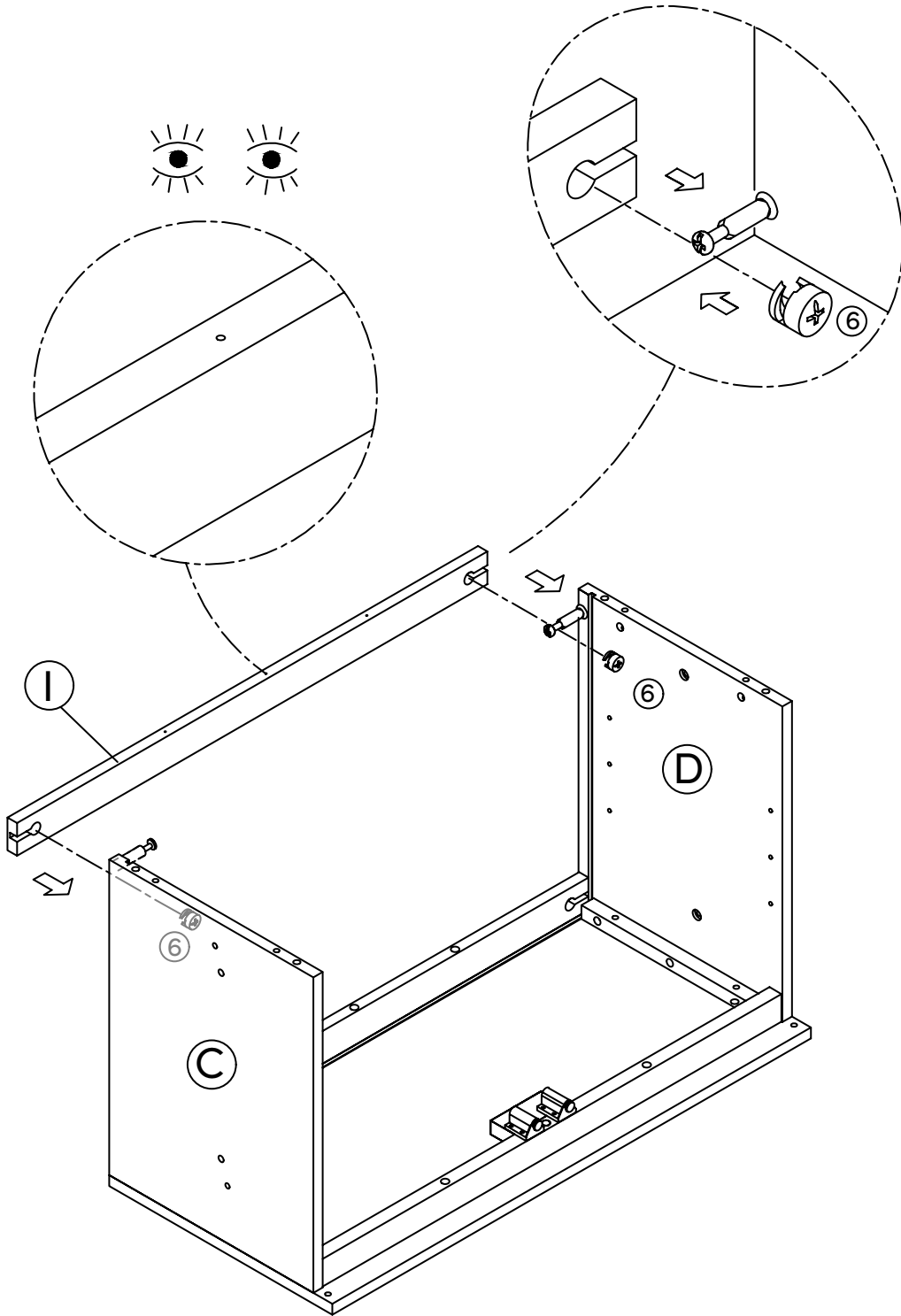
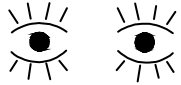
# Step 6

Secure the Bottom Stretcher Back (I) to the Cabinet Left Side Panel (D) and Cabinet Right Side Panel (C) using two Cam Locks (6).

6



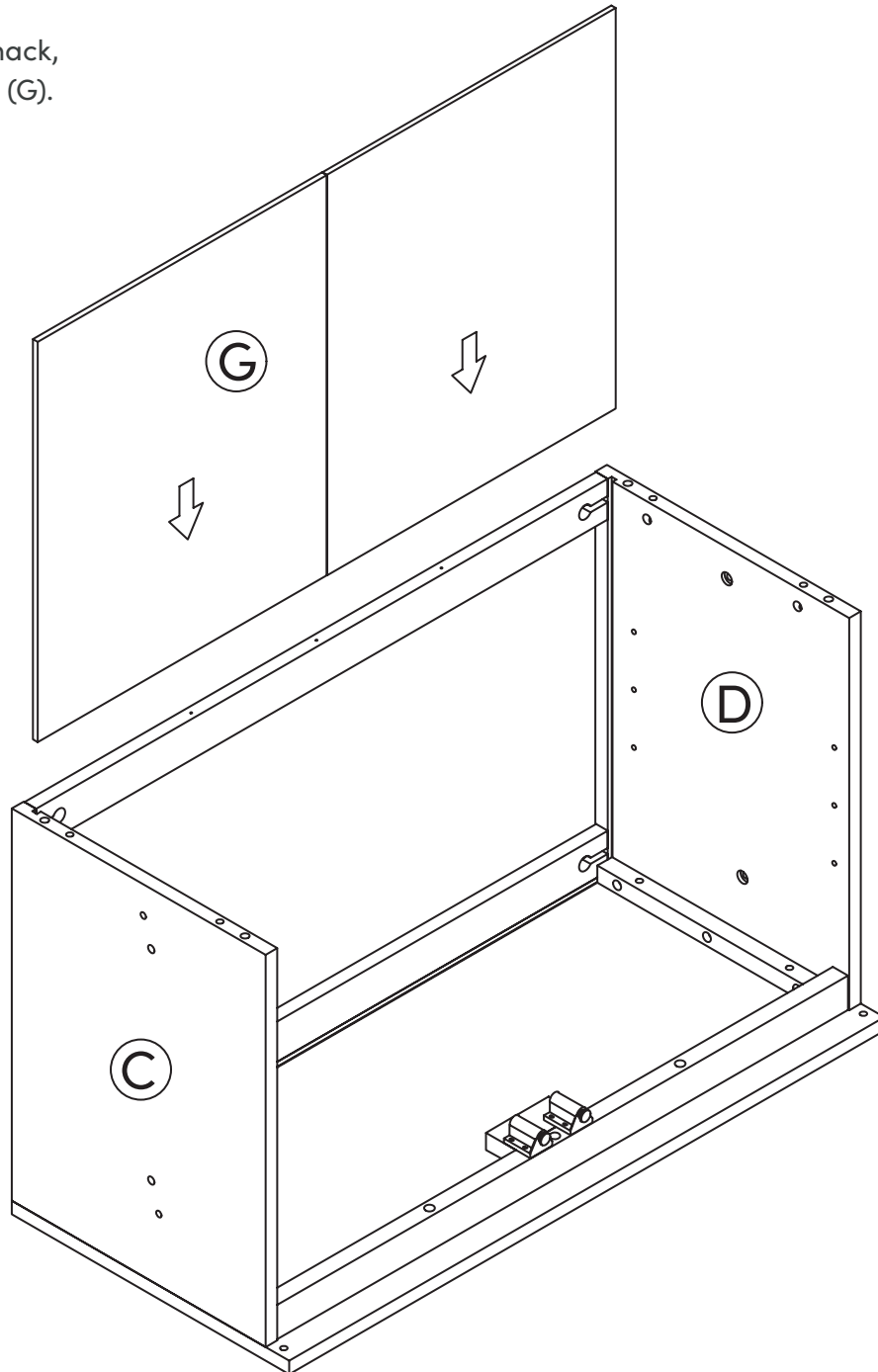
x2



# Step 7

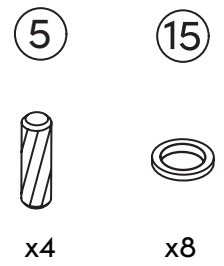
You're doing great! Now would be a great time to grab a mid-assembly snack. Chips and salsa anyone?

Once you have your snack, slide in the Back Panel (G).



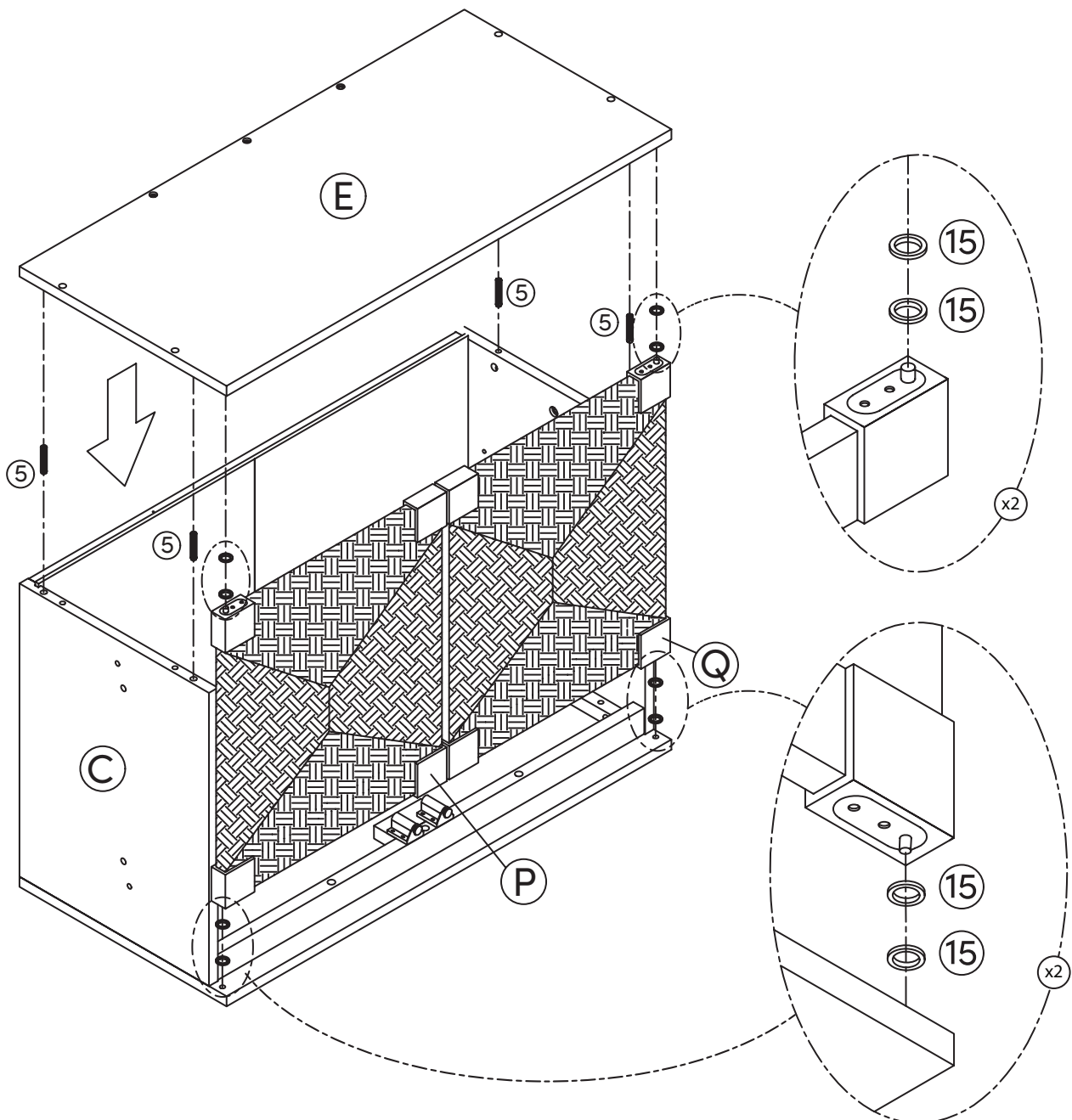
# Step 8

Insert the M8\*30mm Wooden Dowels (5) into the pre-drilled holes as shown below to secure the Cabinet Bottom Panel (E).



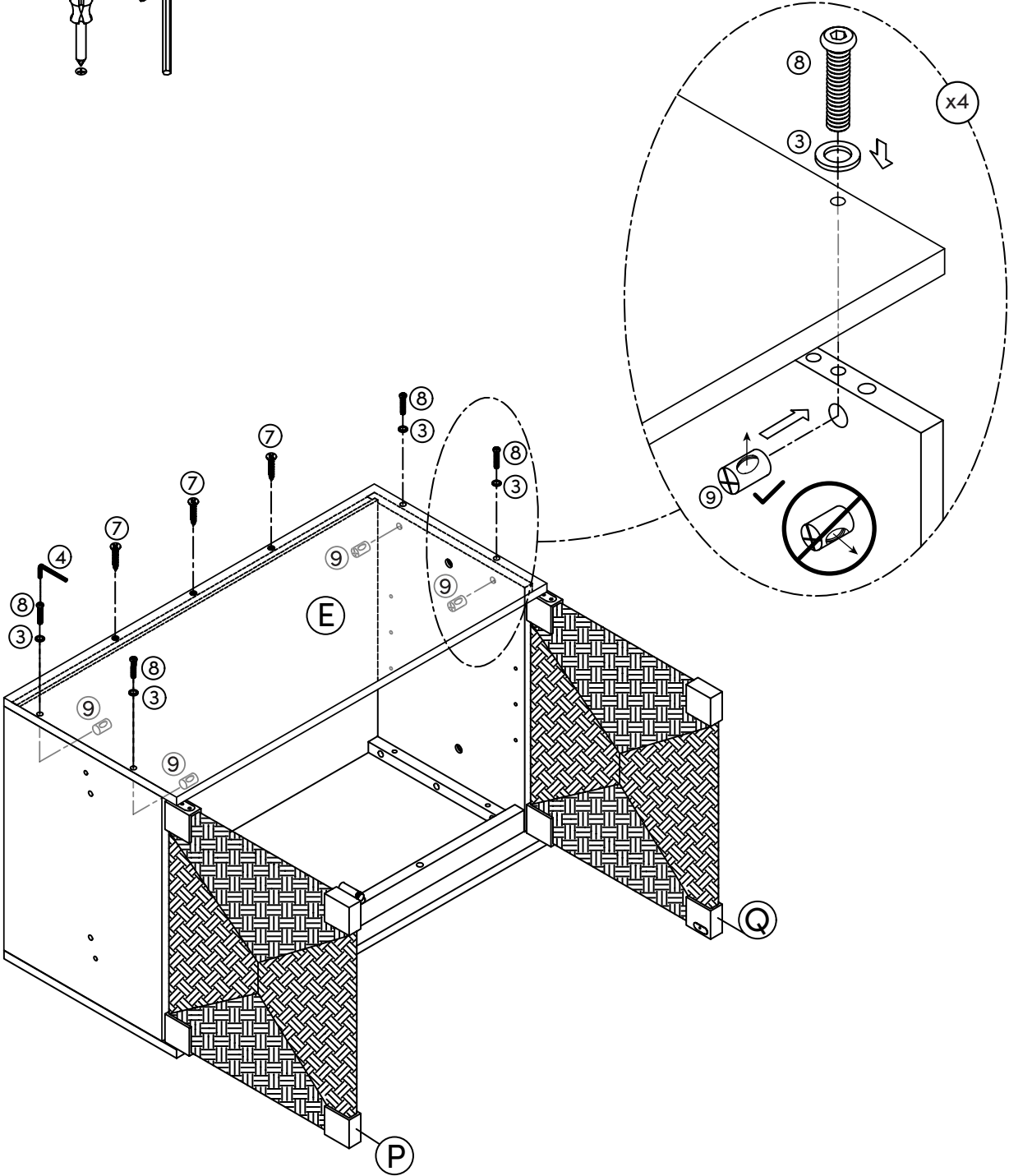
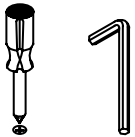
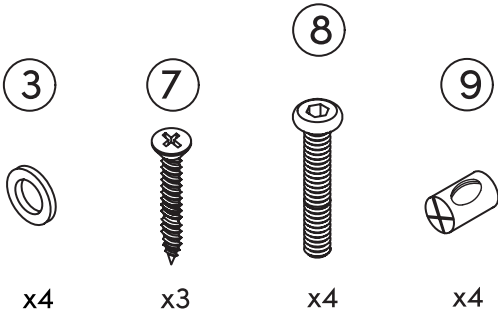
Line up the doors with their respective holes in the top & bottom panels before moving forward with placing the bottom panel and doors in place.

Be sure to sandwich 2 Flat Washers (Plastic) between each door's pin hinge & the top & bottom panels.



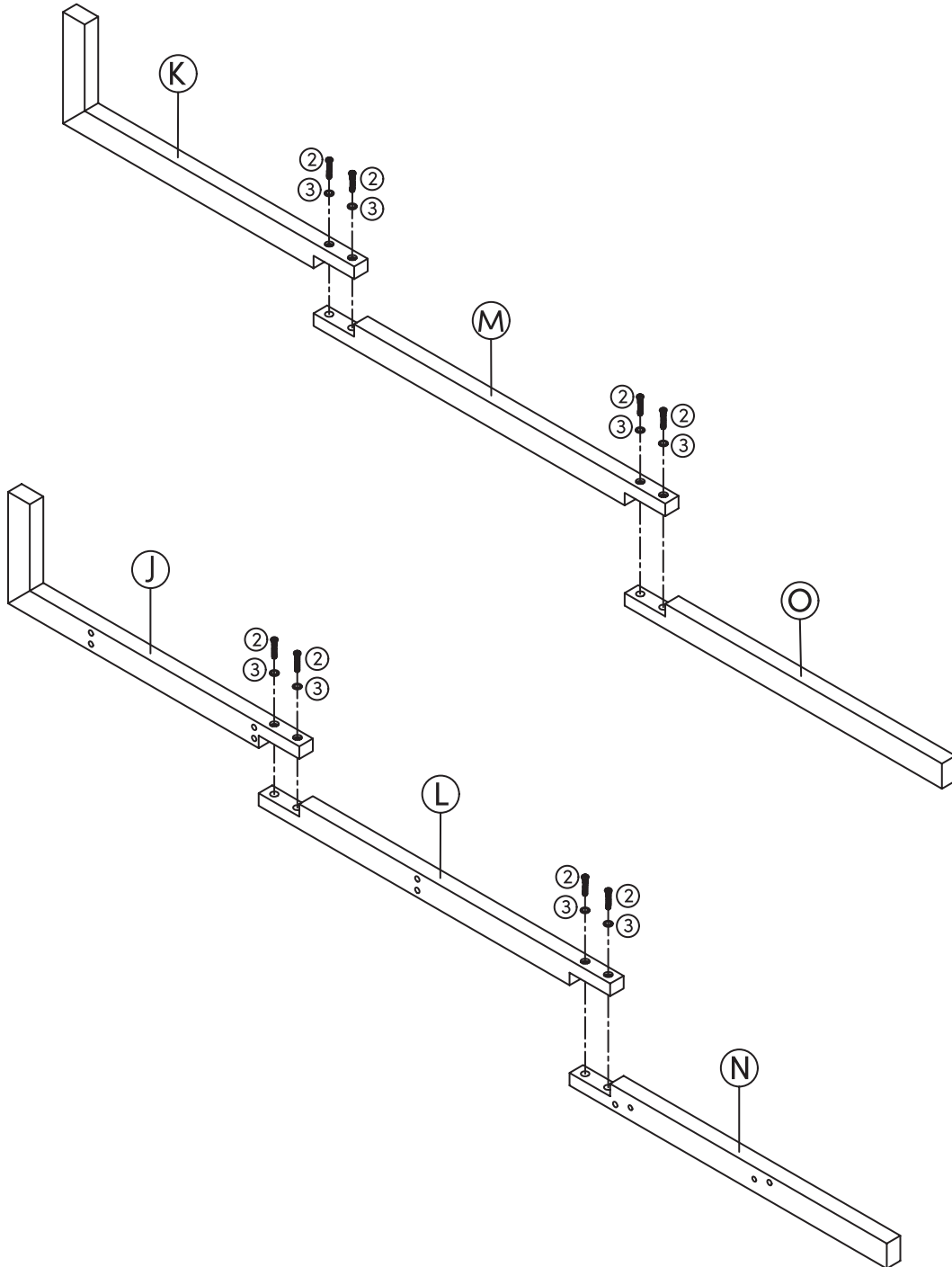
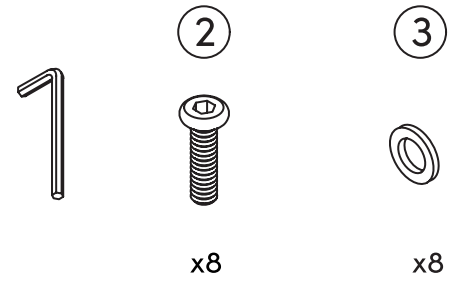
# Step 9

Secure the Cabinet Bottom Panel (E) using three M4\*35 mm Screws (7). Then secure four 1/4" \* 55mm Hex Button Head Bolts (8) and Flat Washers (3) into the Barrel Nuts (9) as shown below.



# Step 10

Let's get the frame built! Secure the Top Vertical Support (Right) (K), Middle Vertical Support (Right) (M), and Bottom Vertical Support (Right) (O) together and the Top Vertical Support (Left) (J), Middle Vertical Support (Left) (L), Bottom Vertical Support (Left) using the 1/4" x 32mm Hex Button Head Bolts (2) and Flat Washers (3).



# Step 11

Secure the right supports on to the bookcase unit first.

2



x2

3

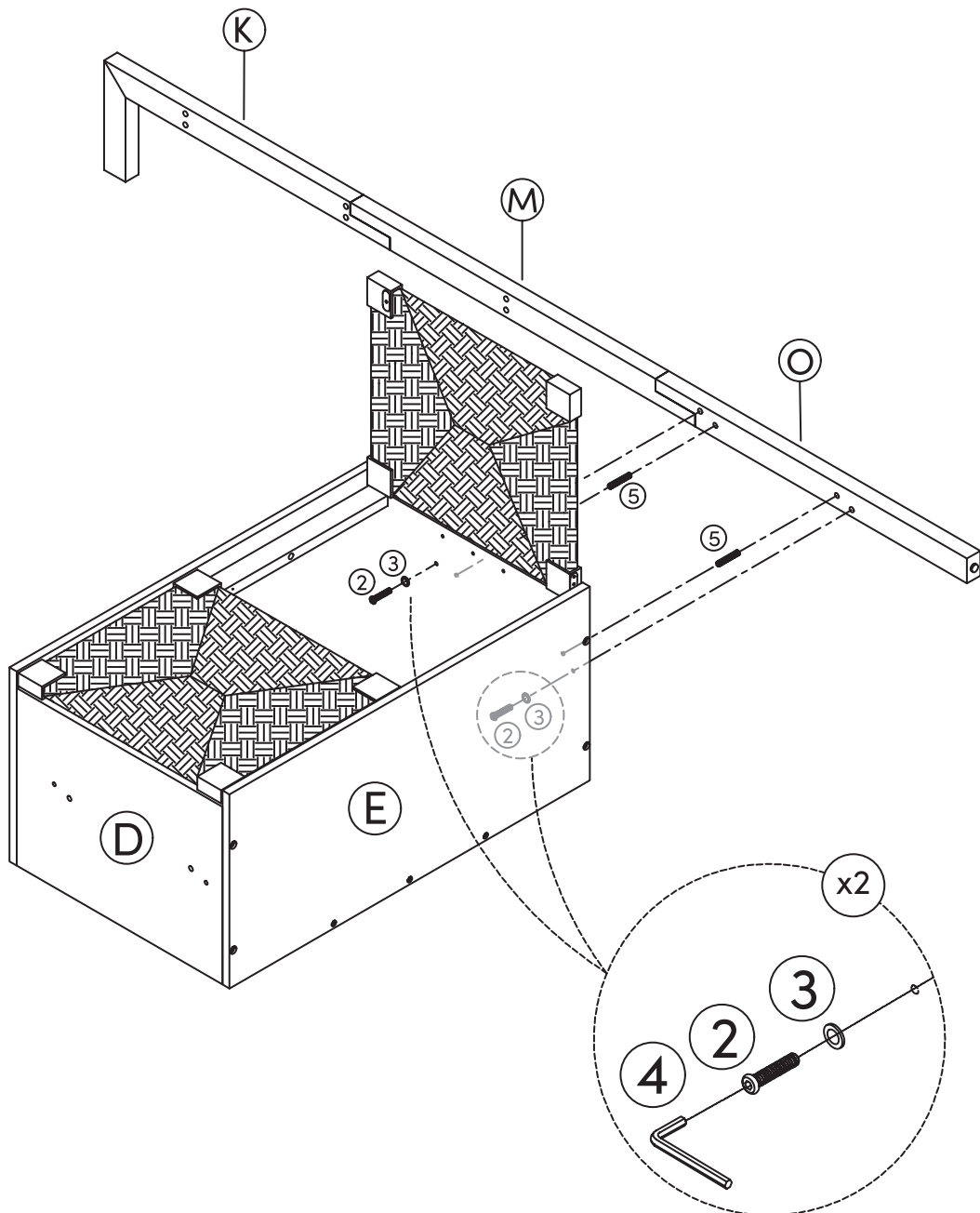


x2

5



x2



# Step 12

Next, secure the Top Open Shelf Panels (A) to the right supports. Make sure that the holes on the panels are in the back before securing.

2

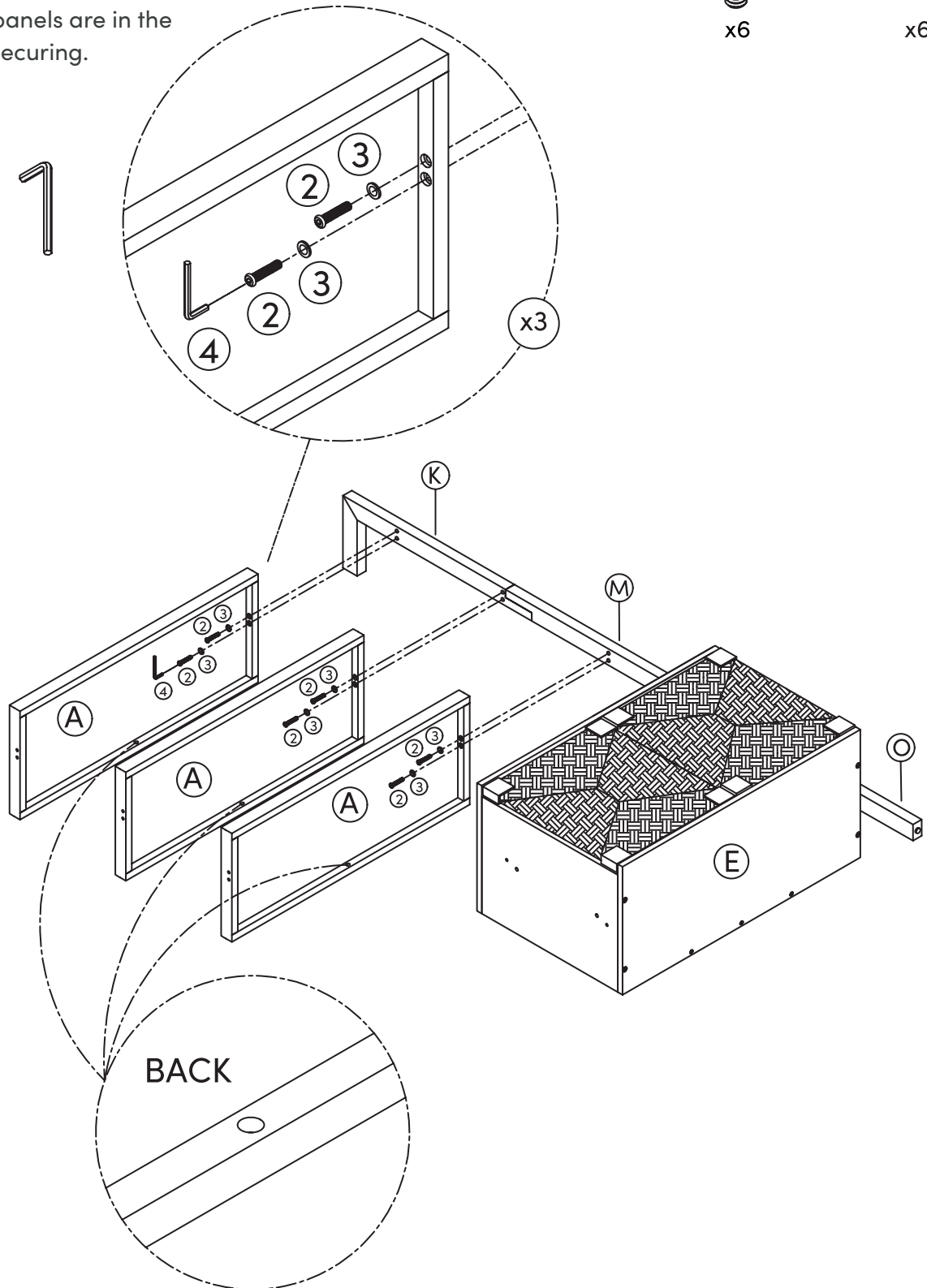


x6

3



x6



# Step 13

It's all coming together! Time to secure the left supports.

②



x8

③

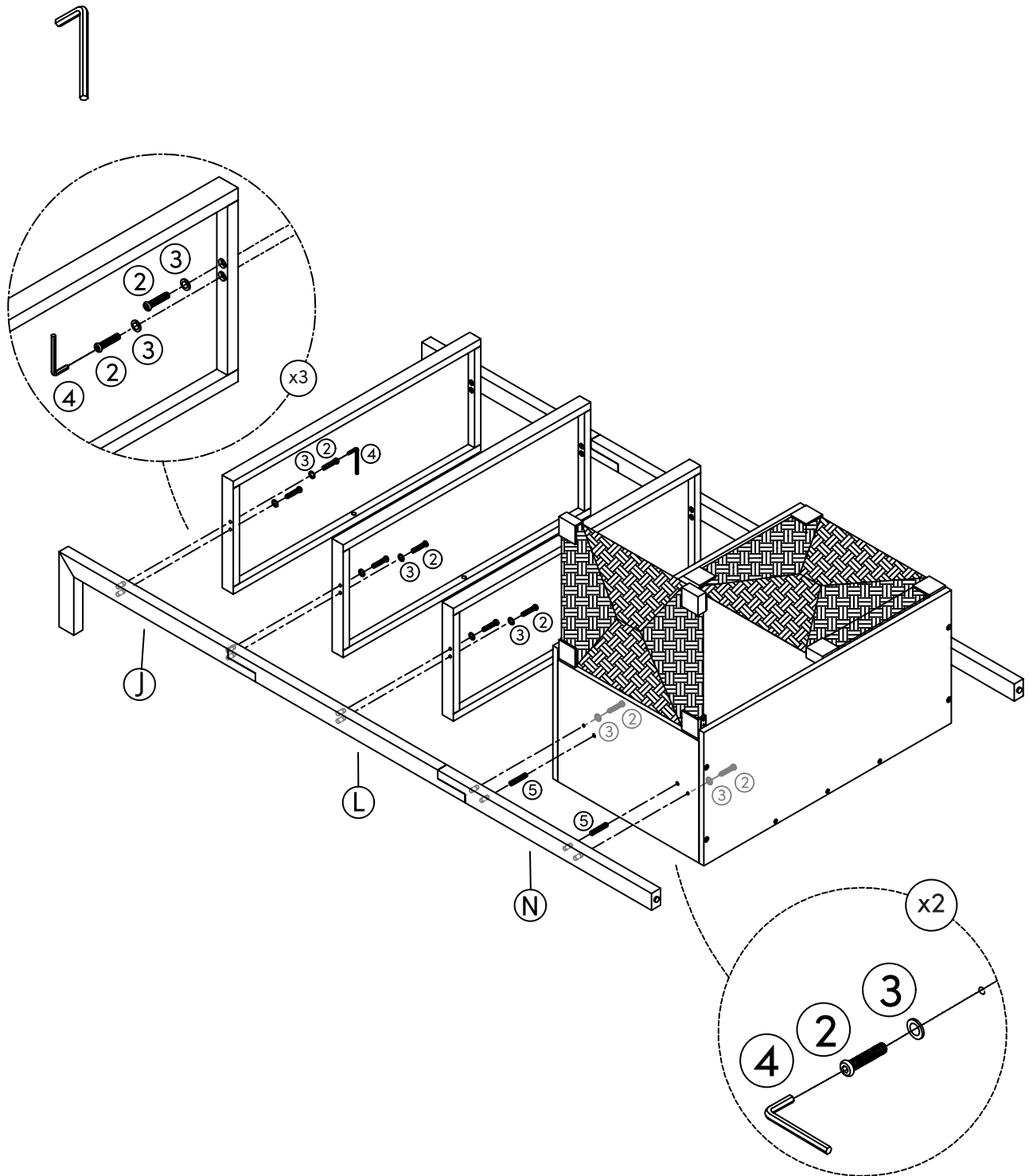


x8

⑤



x2



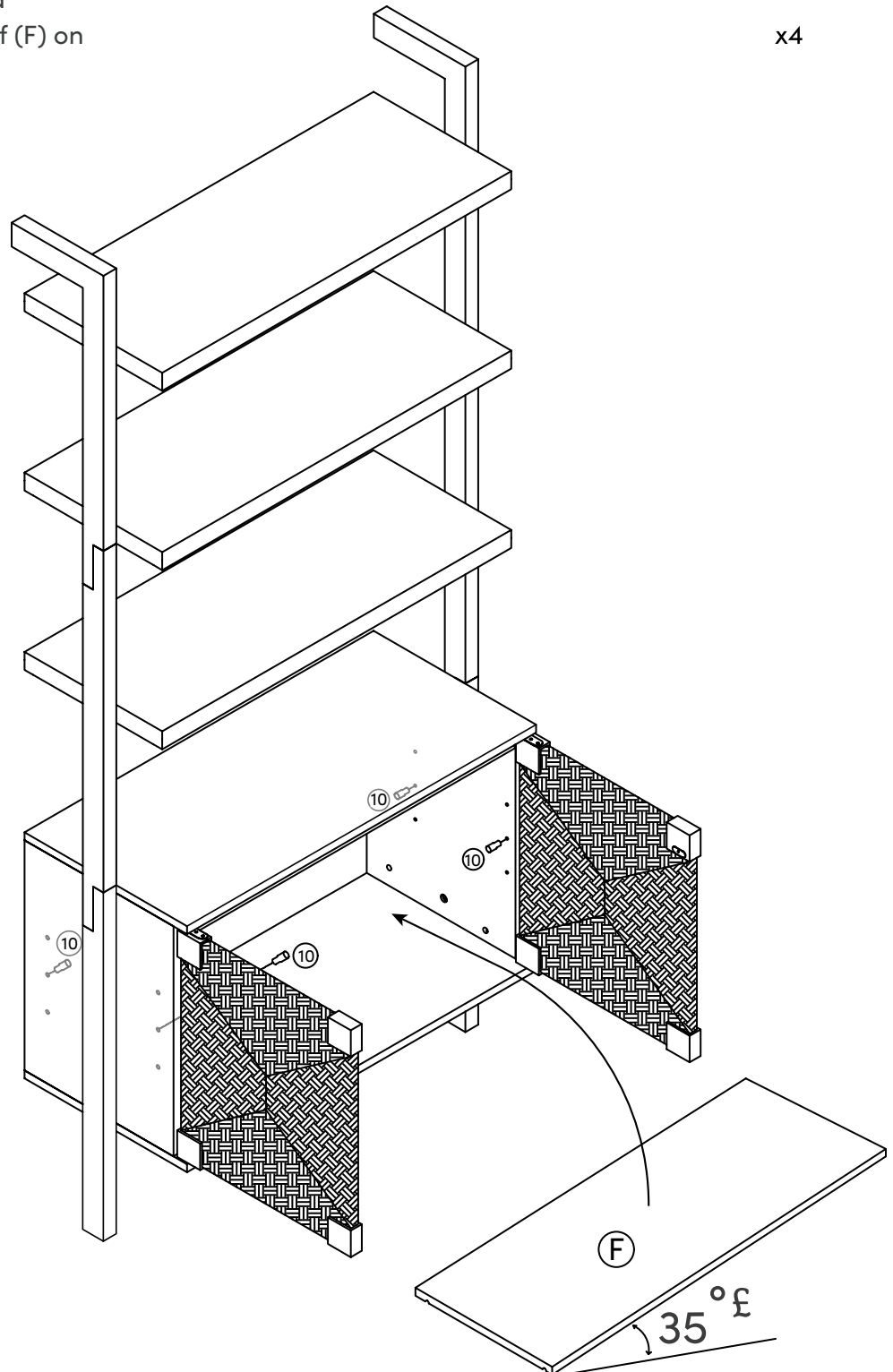
# Step 14

Place the Shelf Pins (10) at your desired height and carefully place the Shelf (F) on top of the pins.

⑩



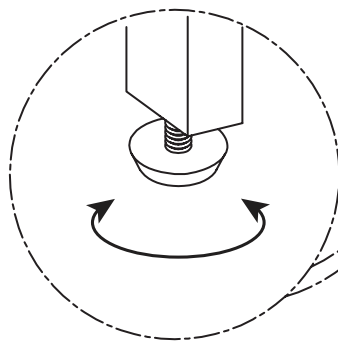
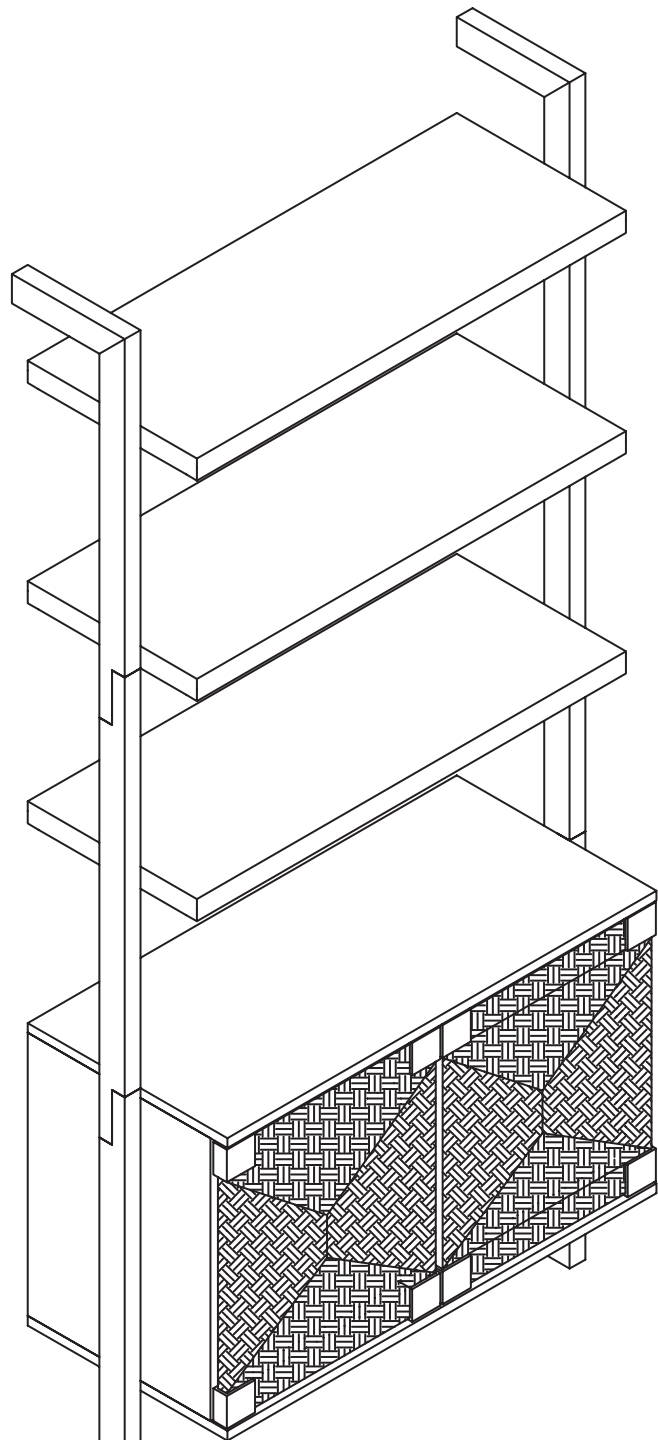
x4



\*tilt shelf 35 degrees before trying to place inside the cabinet on shelf pins

# Step 15

Looking good! Adjust feet if the bookcase seems wobbly or unlevel when placed against the wall.



Wobbly or unlevel?  
Adjust feet until stable!

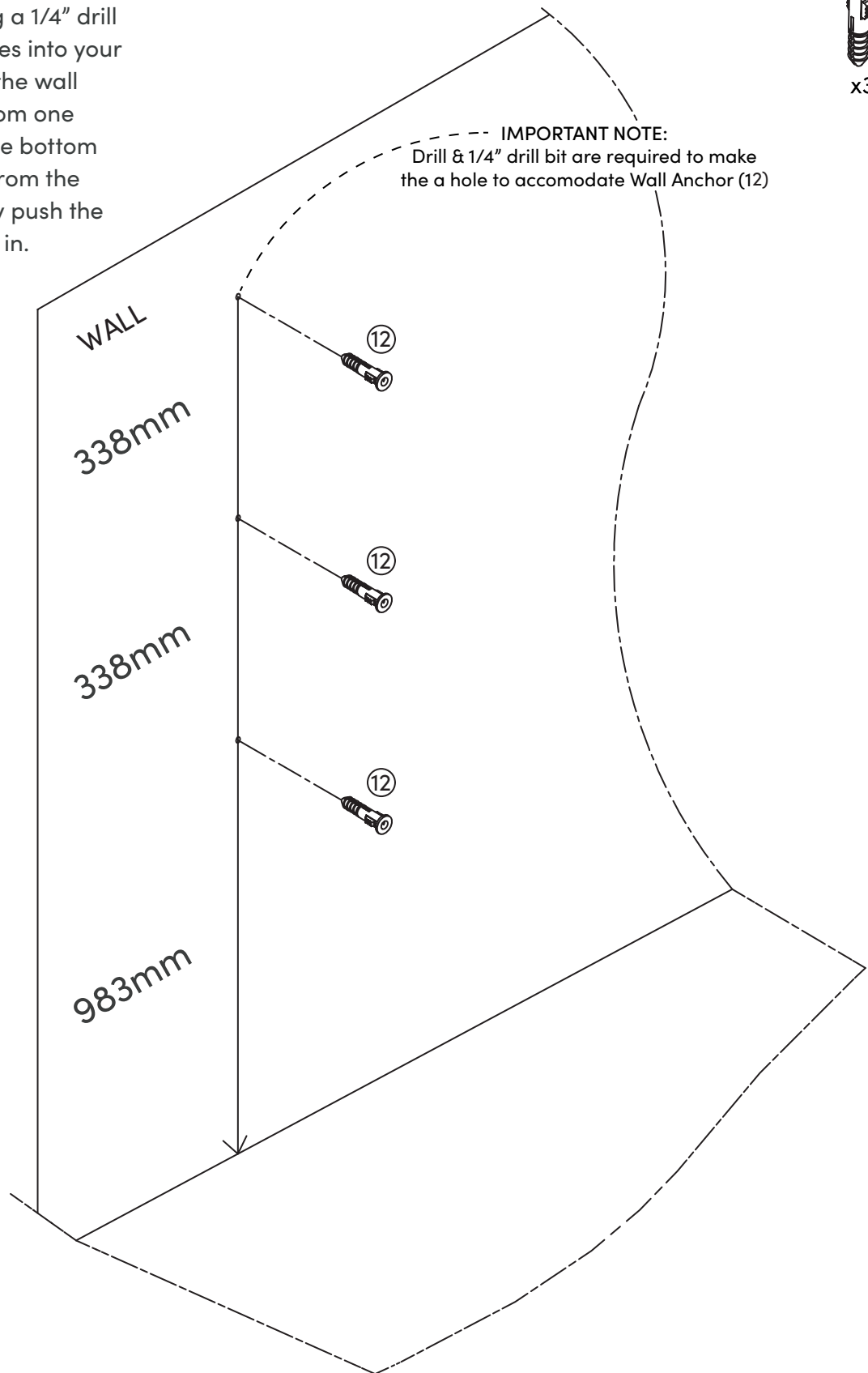
# Step 16

Safety first! Using a 1/4" drill bit, drill three holes into your desired area on the wall 338mm apart from one another. Make the bottom Anchor 983mm from the ground. Carefully push the Wall Anchors (12) in.

12

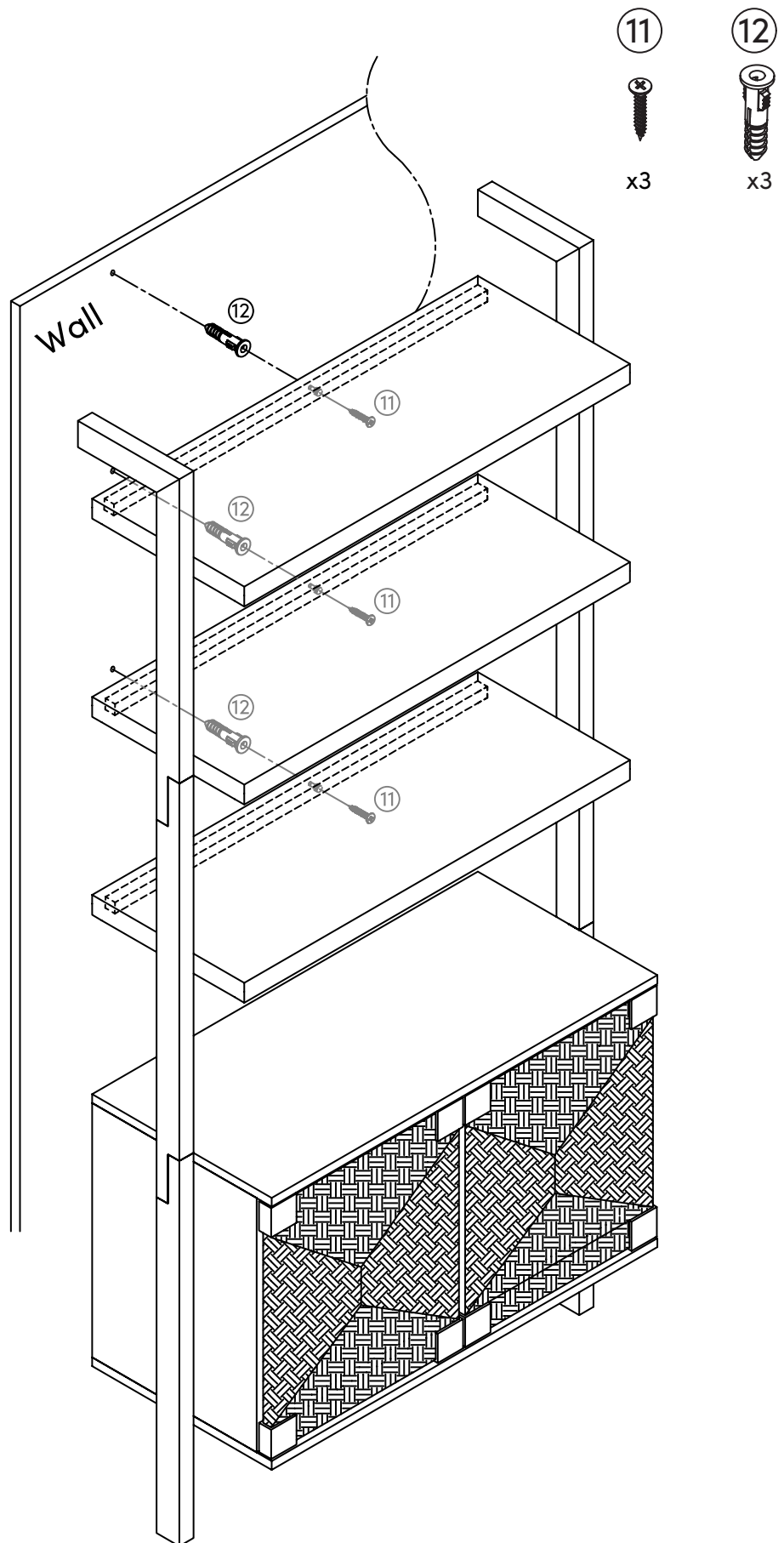


x3



# Step 17

Last but not least, grab a friend and carefully line up your bookshelf to the Wall Anchors (12) and secure using the M4\*50mm Screws (11).



# No heartburn, when we handle the return

Give us a call **1-866-619-1004** or shoot us a message at **help@nathanjames.com** we will issue you a free replacement with **zero hassle**.

## Our way



Give us a call

---



Replacement

---



You

## Their way



Re-package item

---



Schedule pick up

---



Track package

---



Replacement

---



You

We really don't want you to go through the hassle of re-packaging your item and sending it back, because let's be honest...nobody has time for that.

# Safety first, fun later

We want your product to last as long as possible, so we recommend that you tighten the screws 2 weeks after assembly and for added safety check the tightness of all screws every 2 months.

For proper care and treatment, please check our website at [NathanJames.com/products](http://NathanJames.com/products)

## Safe use of this product starts with you.

Use this product responsibly with the primary concern for your safety. Follow assembly instructions carefully and inspect product upon receipt and each use.

Nathan James and its parent companies cannot be held legally responsible for any injuries or death resulted from failure to follow instructions or improper use of this product.

## Do not modify the structure of this product in any way.

Our products have been tested to meet specific safety measures as they were originally intended to be sold. Any modifications will present the risk of creating significant safety issues which NJ will not be responsible for.

## Proper use

- DO NOT** use for commercial purposes
- DO NOT** frolic on bookshelf
- DO NOT** use as foot stool
- DO NOT** leave spilled liquid on shelves
- DO NOT** use if damaged
- DO NOT** make temporary repairs
- DO NOT** use outdoors

# We are only in business if you're happy

For starters, thanks for being you.

☎ Toll-free at 1-866-619-1004

✉ Help@nathanjames.com

🌐 NathanJames.com/help

We do our best to ensure your furniture arrives without any problems, but occasionally mistakes happen—as humans we are imperfect beings. In the event that a part is damaged or missing, we will be more than happy to provide you with replacement part(s) for free.

## Warranty

This product comes with a lifetime warranty from the date of purchase. Please use your phone to scan the QR code to register your product or visit <https://goo.gl/i9dk3q>



### Did we do alright? Please spread the love!

If you are happy with your product, tell your friends and family about us or even better leave us a review online. Spreading the word gives us the opportunity to make more people happy and keep our prices low for your next purchase.

*Brooklyn Burdon*

Founder, Nathan James