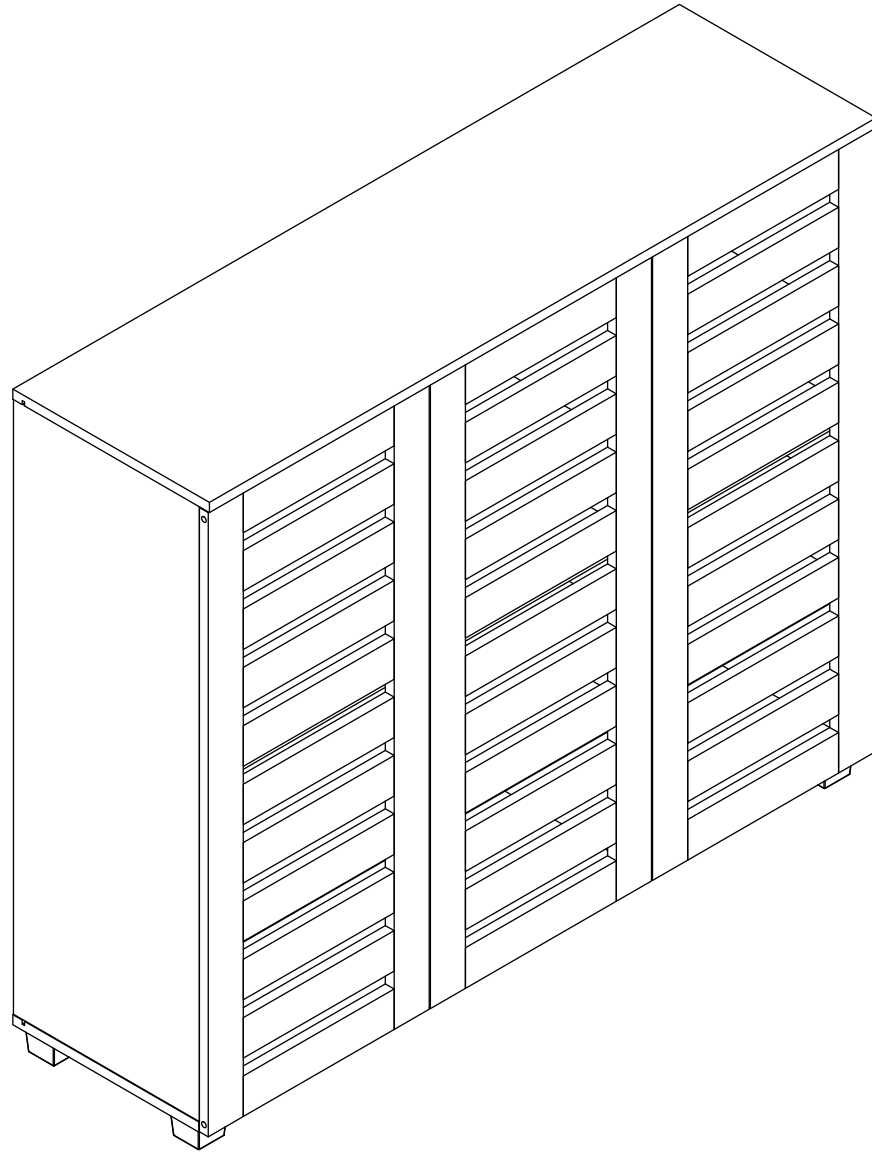
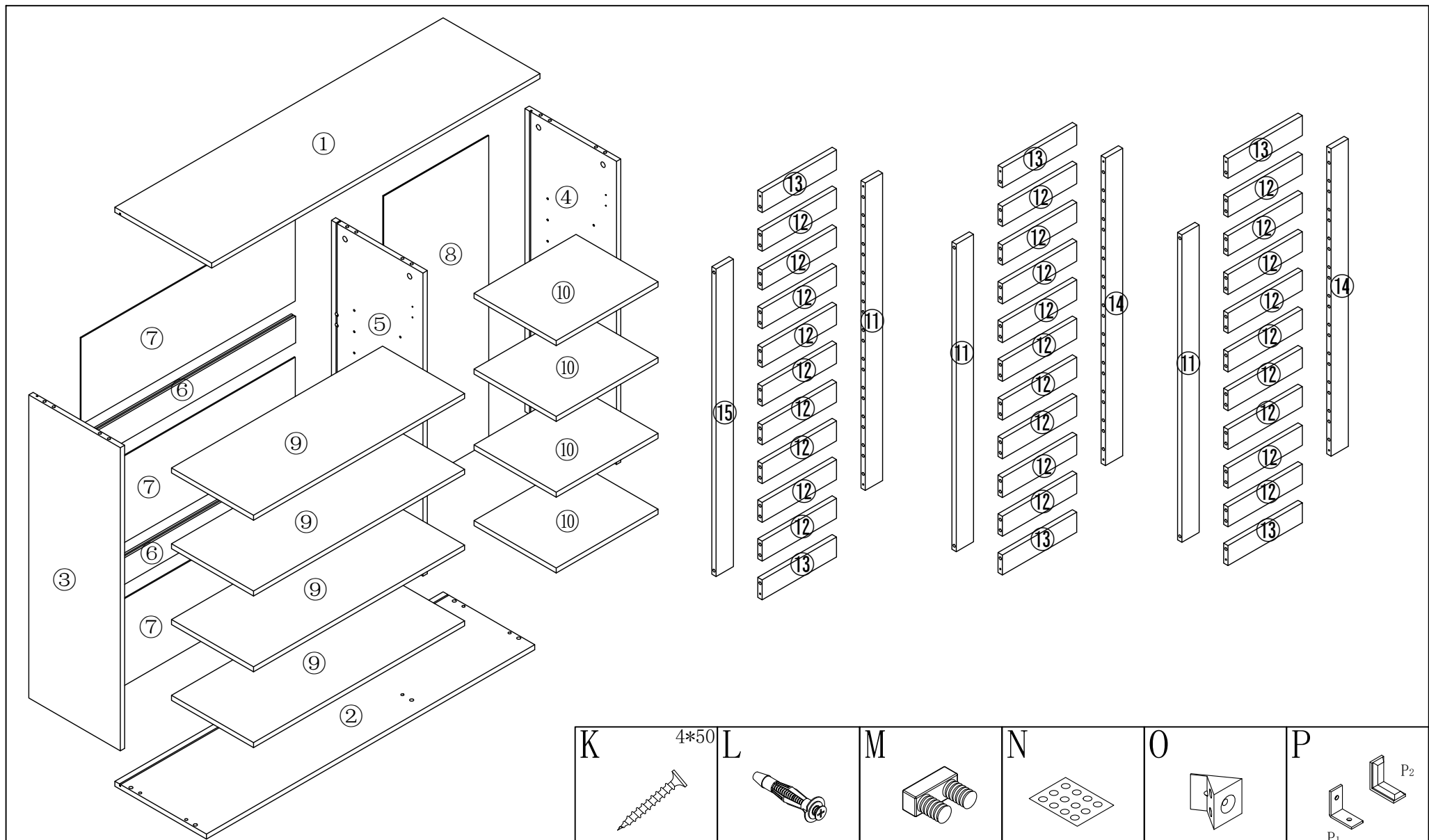
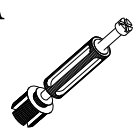

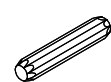
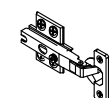


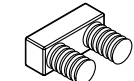
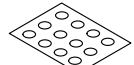
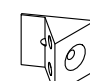
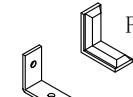
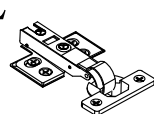
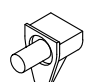
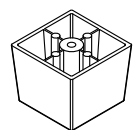



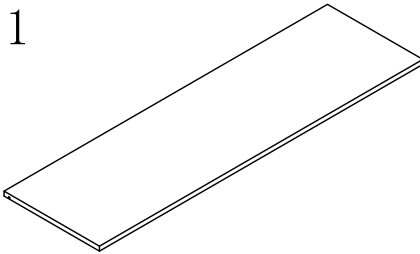
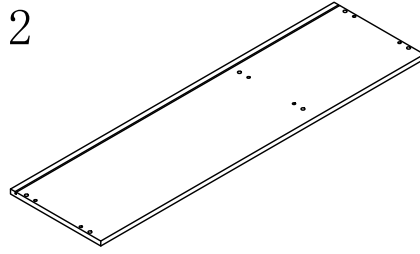
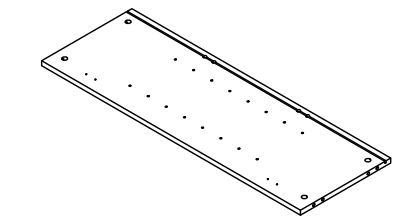
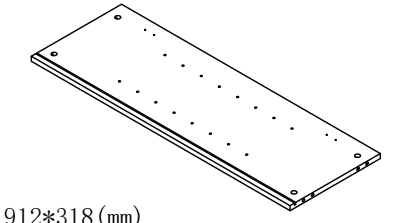
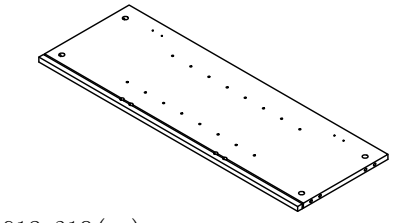
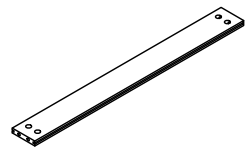
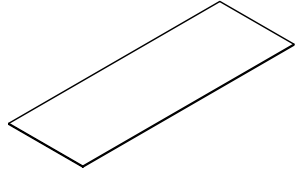
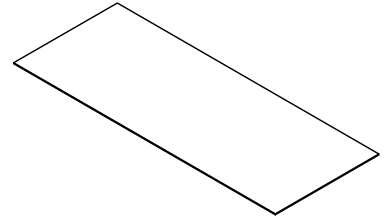
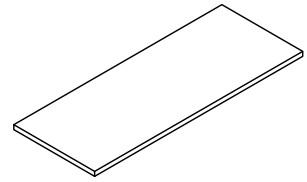
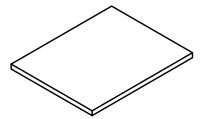
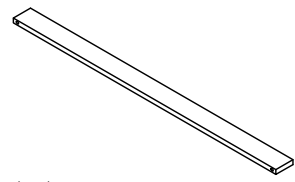
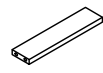
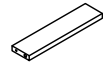
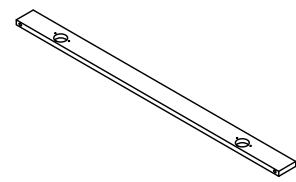
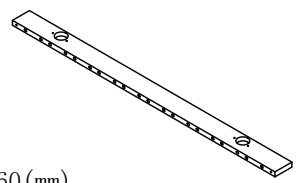


# Installation & Assembly





<b>A</b>  20PCS	<b>B</b>  20PCS	<b>C</b> 8*40  132PCS	<b>D</b>  4PCS	<b>K</b> 4*50  12PCS	<b>L</b>  2PCS	<b>M</b>  1PCS	<b>N</b>  12PCS	<b>O</b>  24PCS	<b>P</b>  P <sub>1</sub> 2PCS P <sub>2</sub>
<b>E</b>  2PCS	<b>F</b>  32PCS	<b>G</b>  6PCS	<b>H</b> 3*12  24PCS	<b>I</b> 3.5*14  38PCS	<b>J</b> 3.5*35  6PCS				

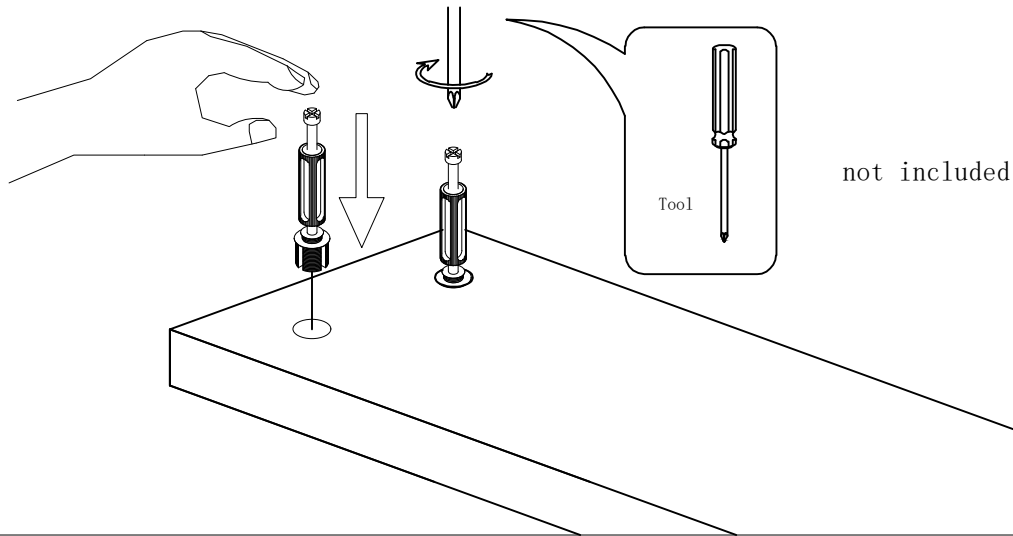
<p>1</p>  <p>1140*336 (mm) 44.88*13.23 (inch) 1PC</p>	<p>2</p>  <p>1140*318 (mm) 44.88*12.52 (inch) 1PC</p>	<p>3</p>  <p>912*318 (mm) 35.91*12.52 (inch) 2PCS</p>	<p>4</p>  <p>912*318 (mm) 35.91*12.52 (inch) 2PCS</p>	<p>5</p>  <p>912*318 (mm) 35.91*12.52 (inch) 1PC</p>
<p>6</p>  <p>736*80 (mm) 28.98*3.15 (inch) 2PCS</p>	<p>7</p>  <p>261*744 (mm) 10.28*29.29 (inch) 3PCS</p>	<p>8</p>  <p>922*365 (mm) 36.3*14.37 (inch) 1PC</p>	<p>9</p>  <p>733*285 (mm) 28.86*11.22 (inch) 4PCS</p>	<p>10</p>  <p>354*285 (mm) 13.94*11.22 (inch) 4PCS</p>
<p>11</p>  <p>925*60 (mm) 36.42*2.36 (inch) 3PCS</p>	<p>12</p>  <p>258*60 (mm) 10.16*2.36 (inch) 27PCS</p>	<p>13</p>  <p>258*60 (mm) 10.16*2.36 (inch) 6PCS</p>	<p>14</p>  <p>925*60 (mm) 36.42*2.36 (inch) 2PCS</p>	<p>15</p>  <p>925*60 (mm) 36.42*2.36 (inch) 1PC</p>



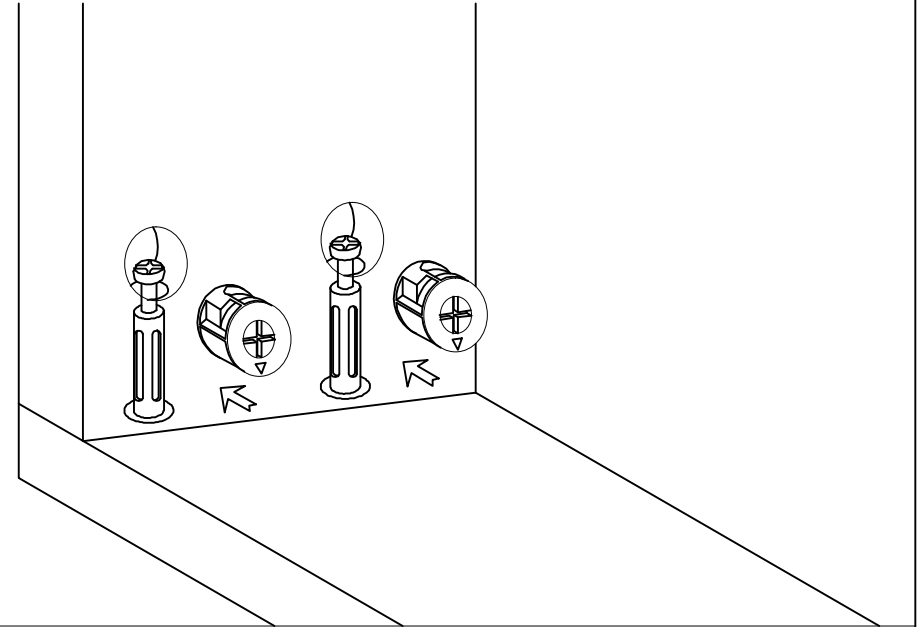
# Hardware installation demonstration

NOTE: Please make sure "A" hardware tightened and can't be pulled out!

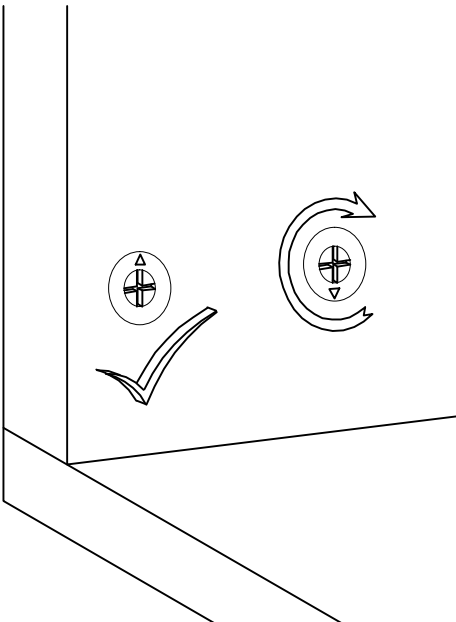
I



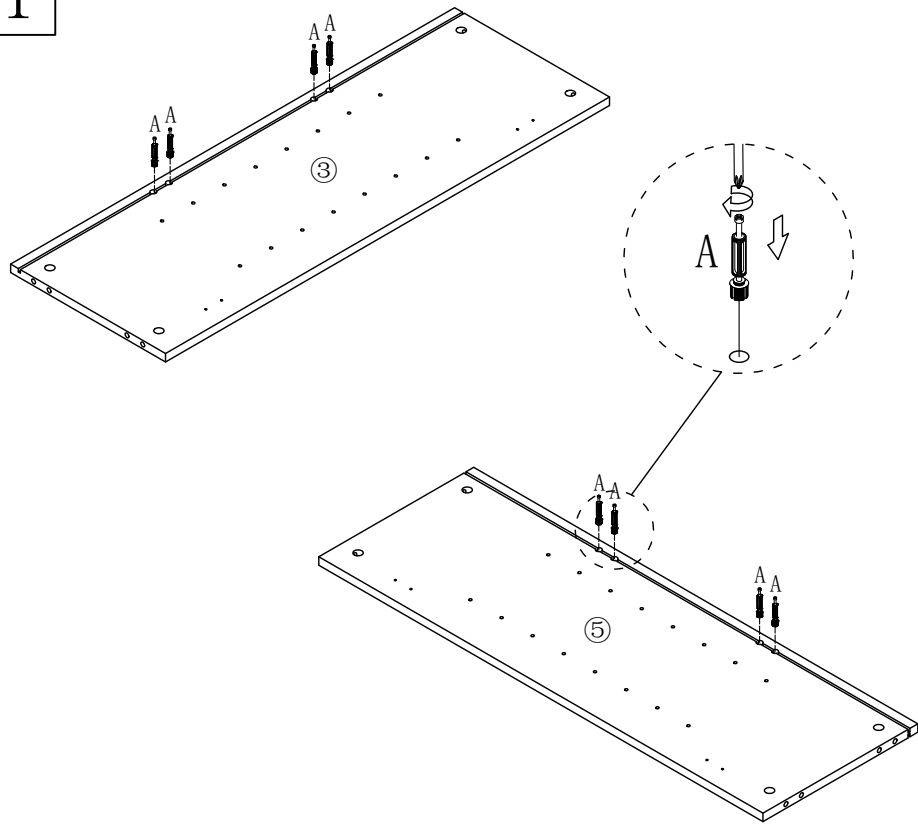
II



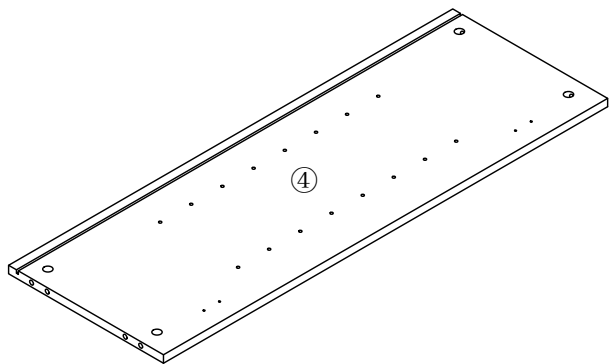
III



1

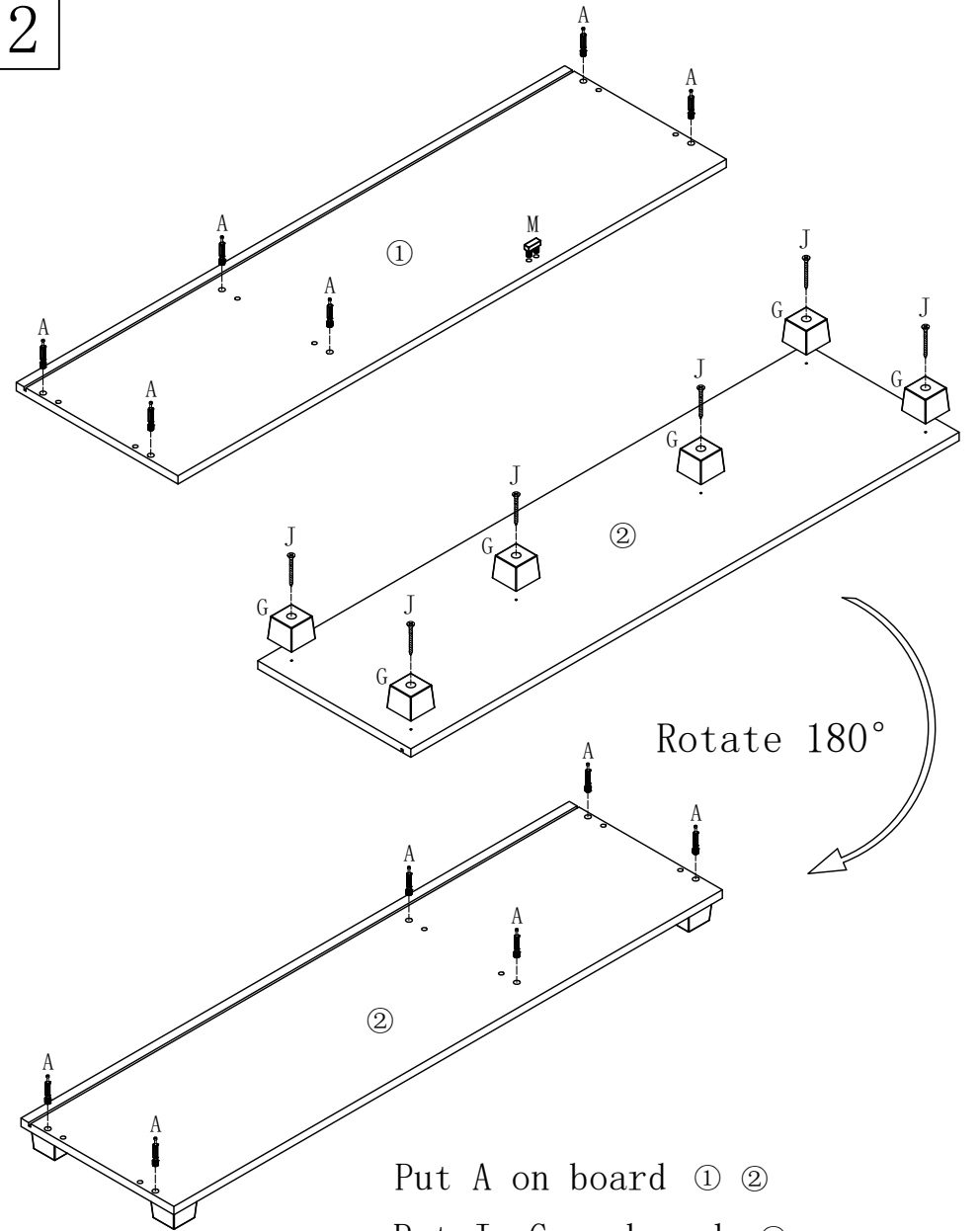


Put A on board ③ ⑤



A\*8

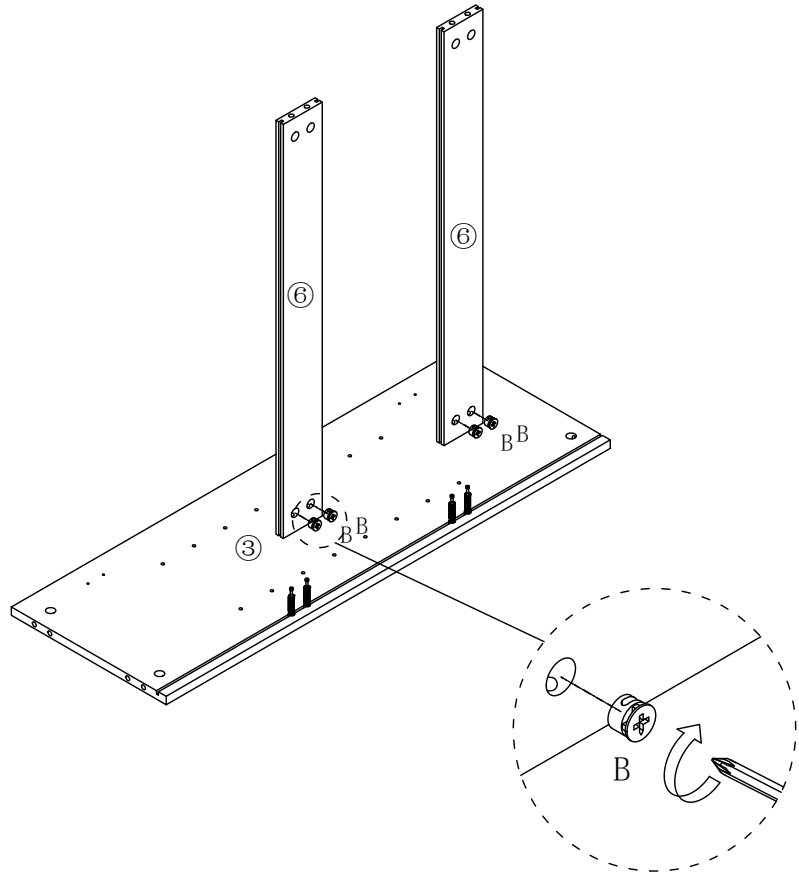
2



Put A on board ① ②  
Put J, G on board ②

A\*12 G\*6 J\*6 M\*1

3

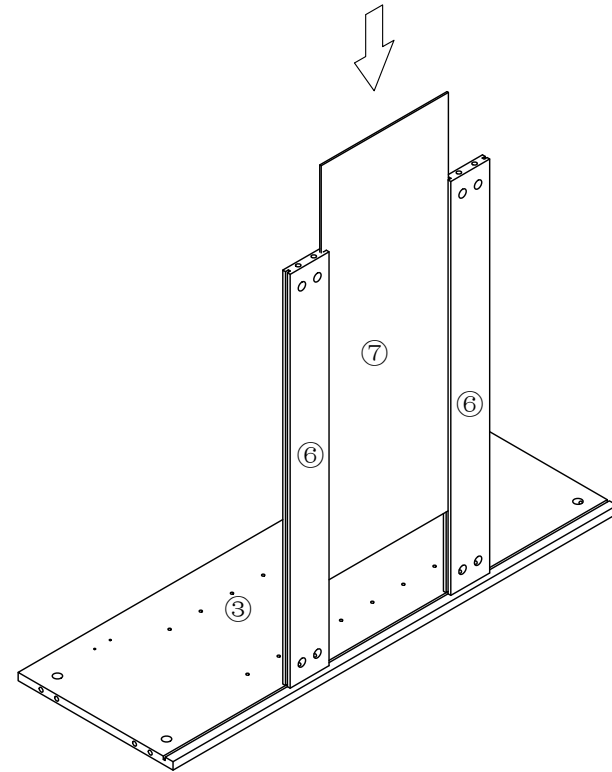


Make sure the arrow on the screw align to the hole on the side.

Put B on board ⑥

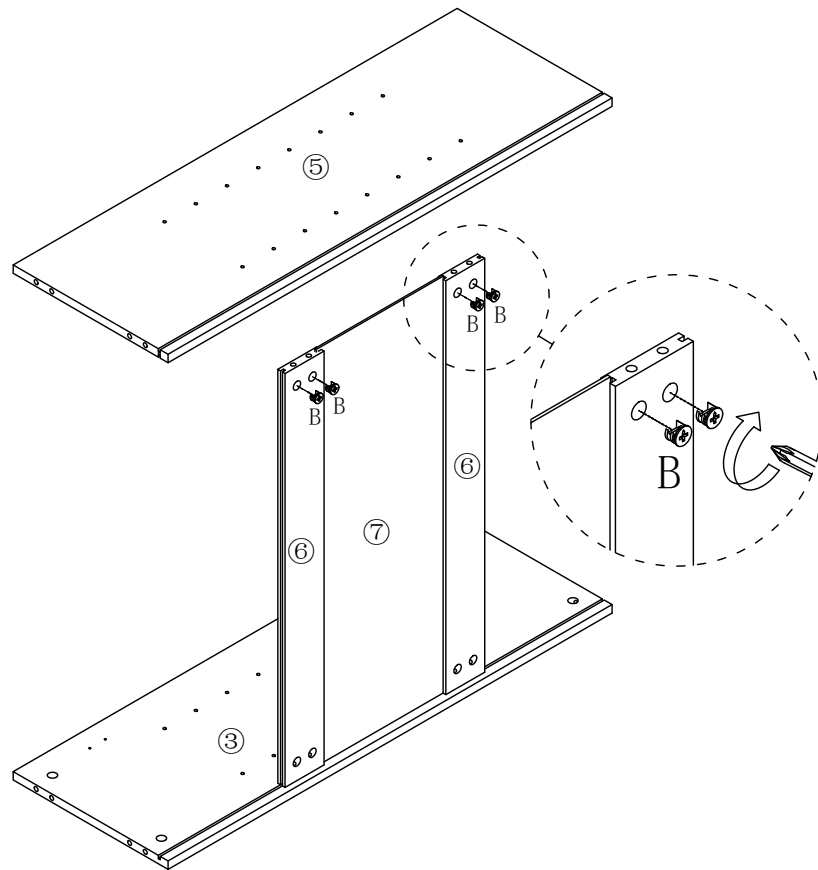
B\*4

4



5

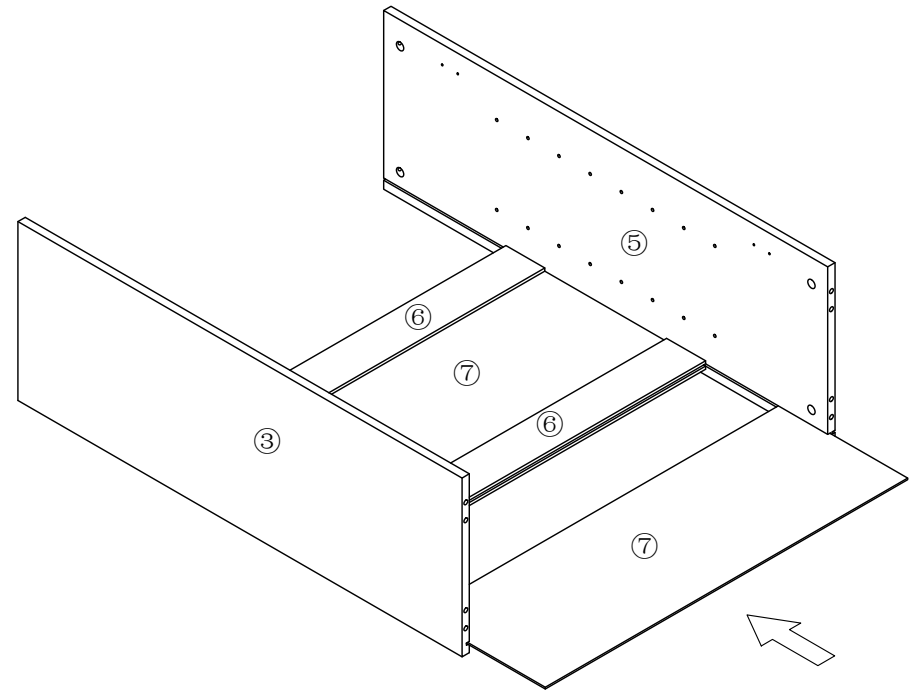
Put B on board ⑥



Make sure the arrow on the screw align to the hole on the side.

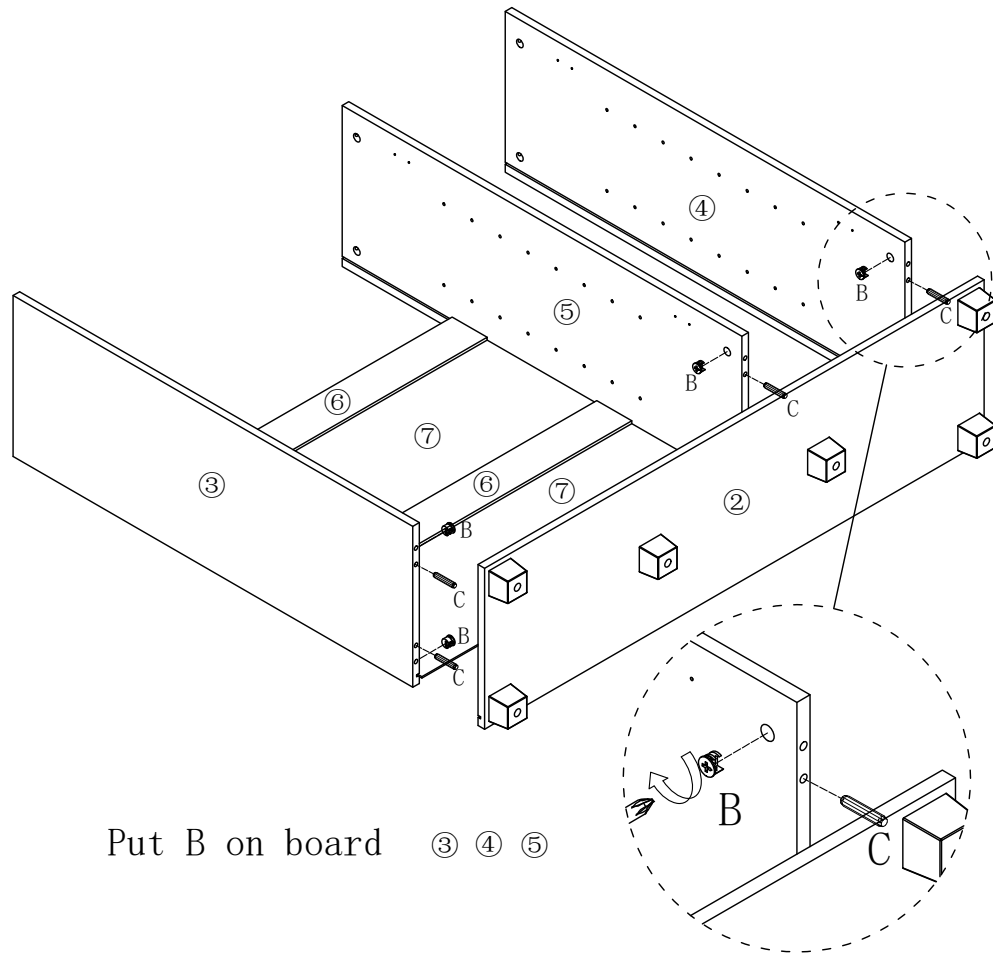
B\*4

6



7

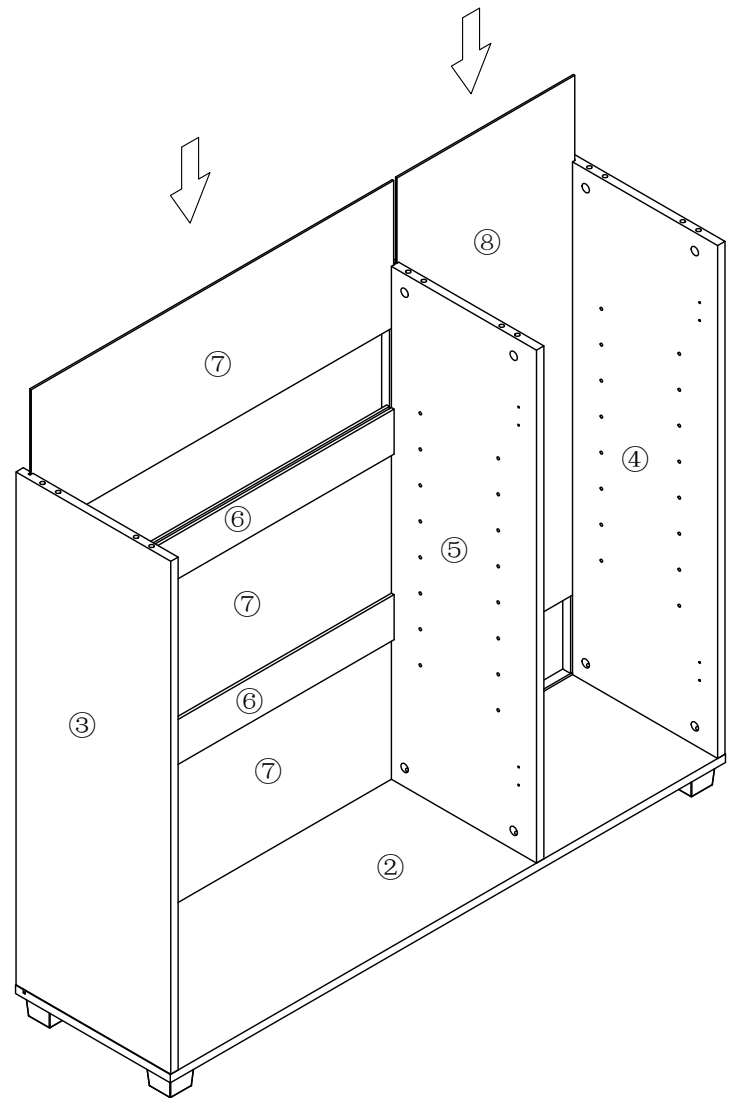
Make sure the arrow on the screw align to the hole on the side.



Put B on board ③ ④ ⑤

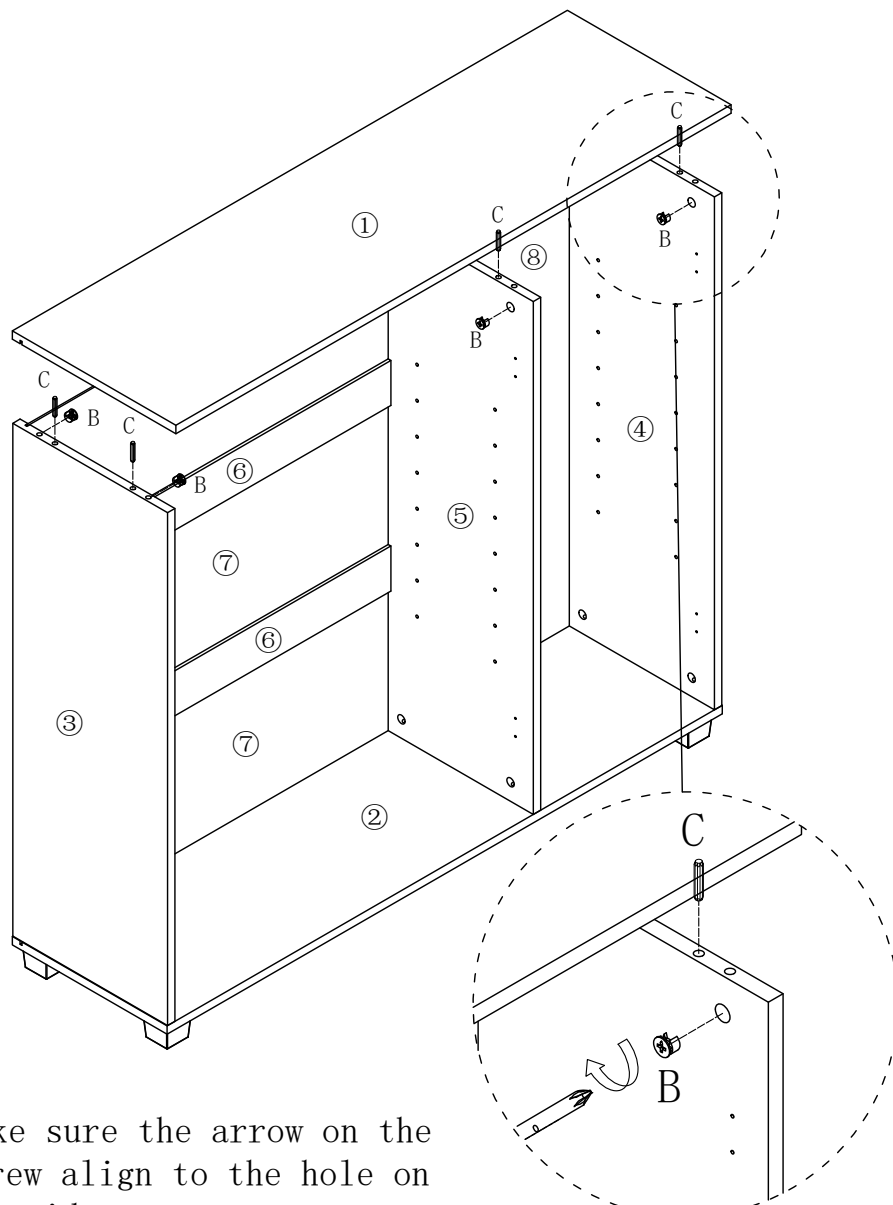
B\*6 C\*6

8



9

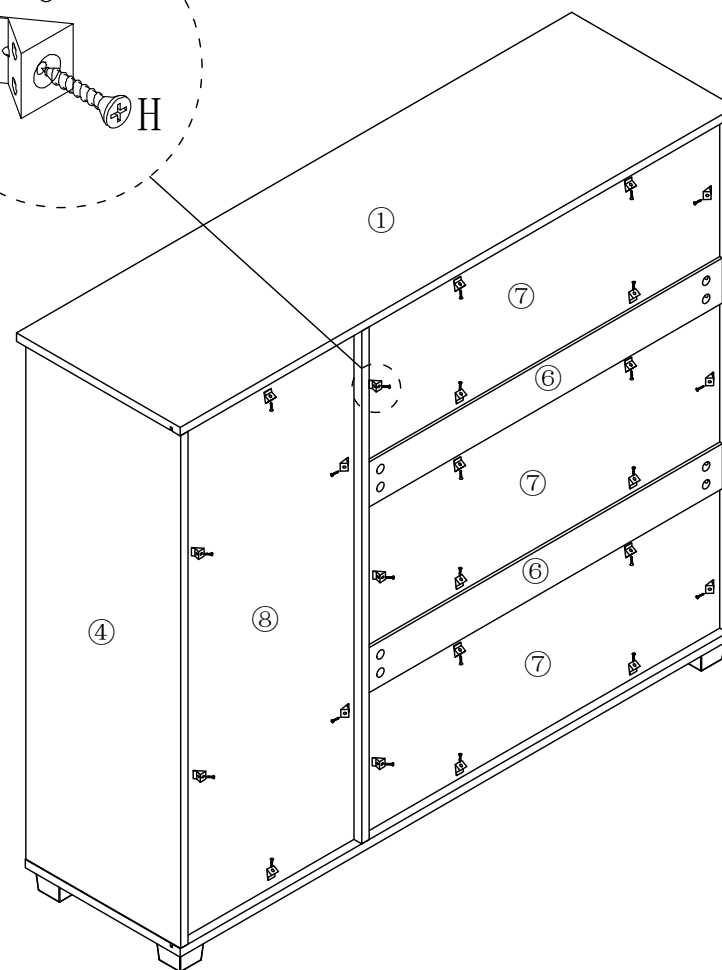
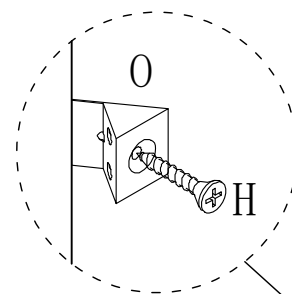
Put B on board ③ ④ ⑤



Make sure the arrow on the screw align to the hole on the side.

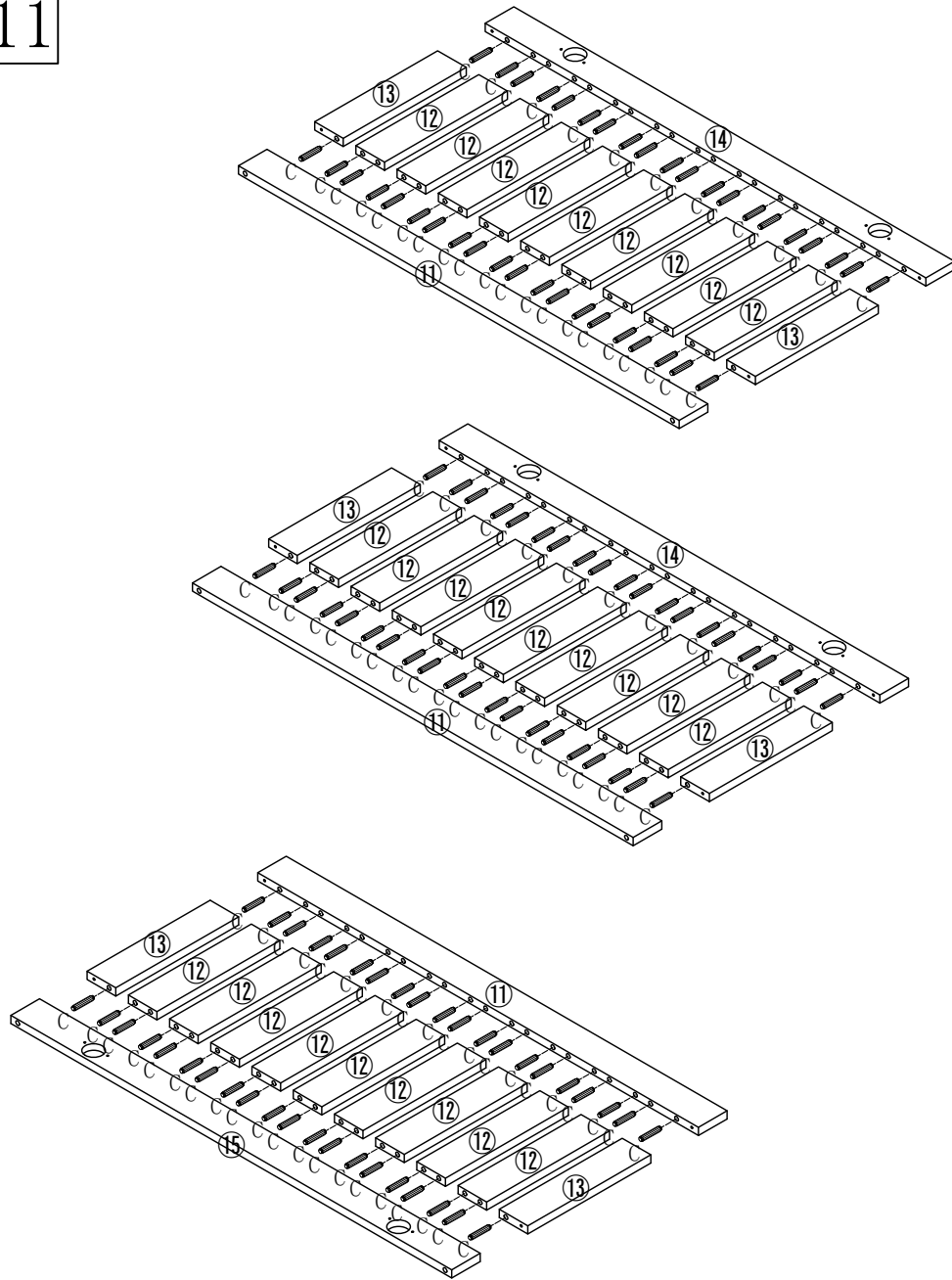
B\*6 C\*6

10



H\*24 O\*24

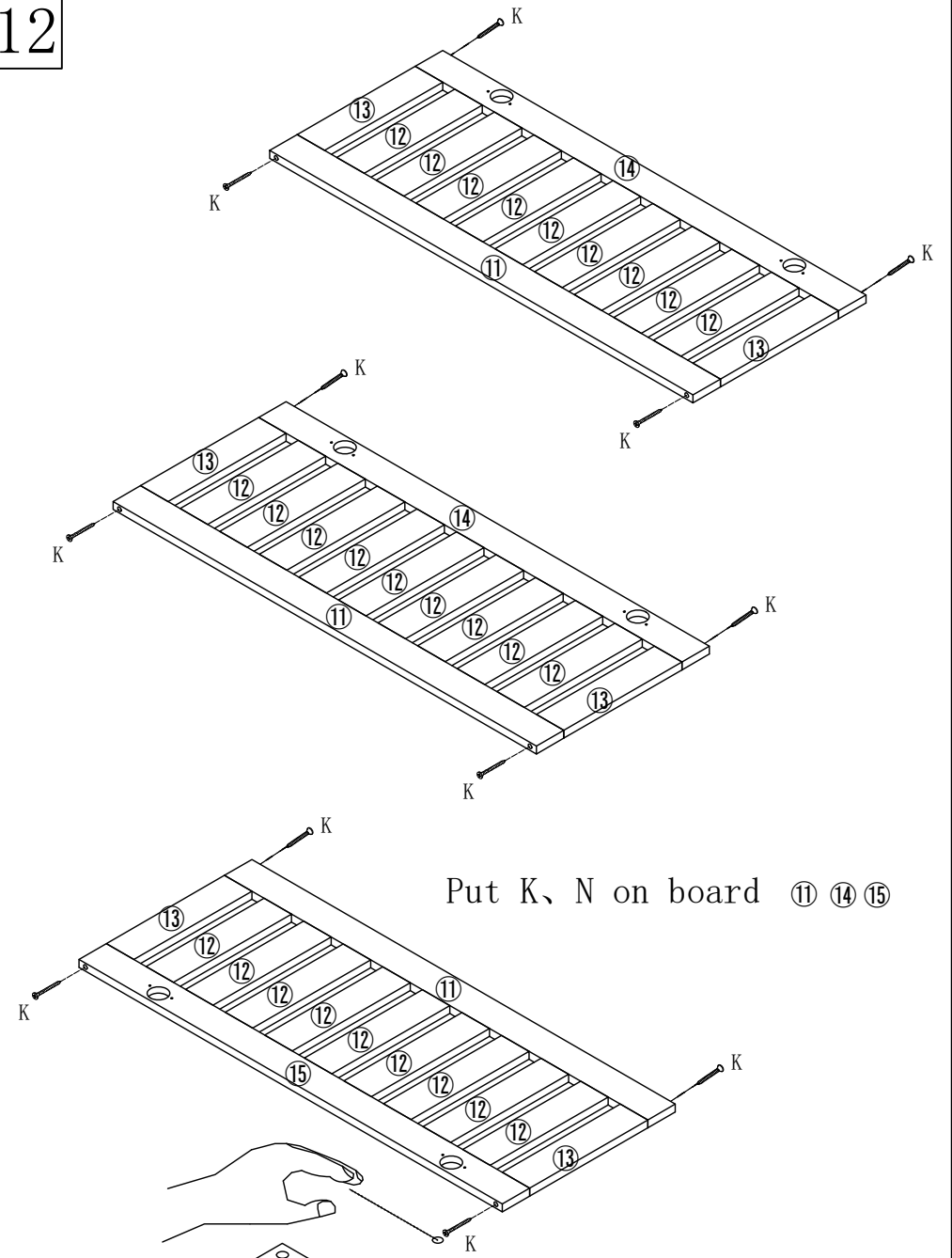
11



Put C on board ①② ③ ④ ⑤

C\*120

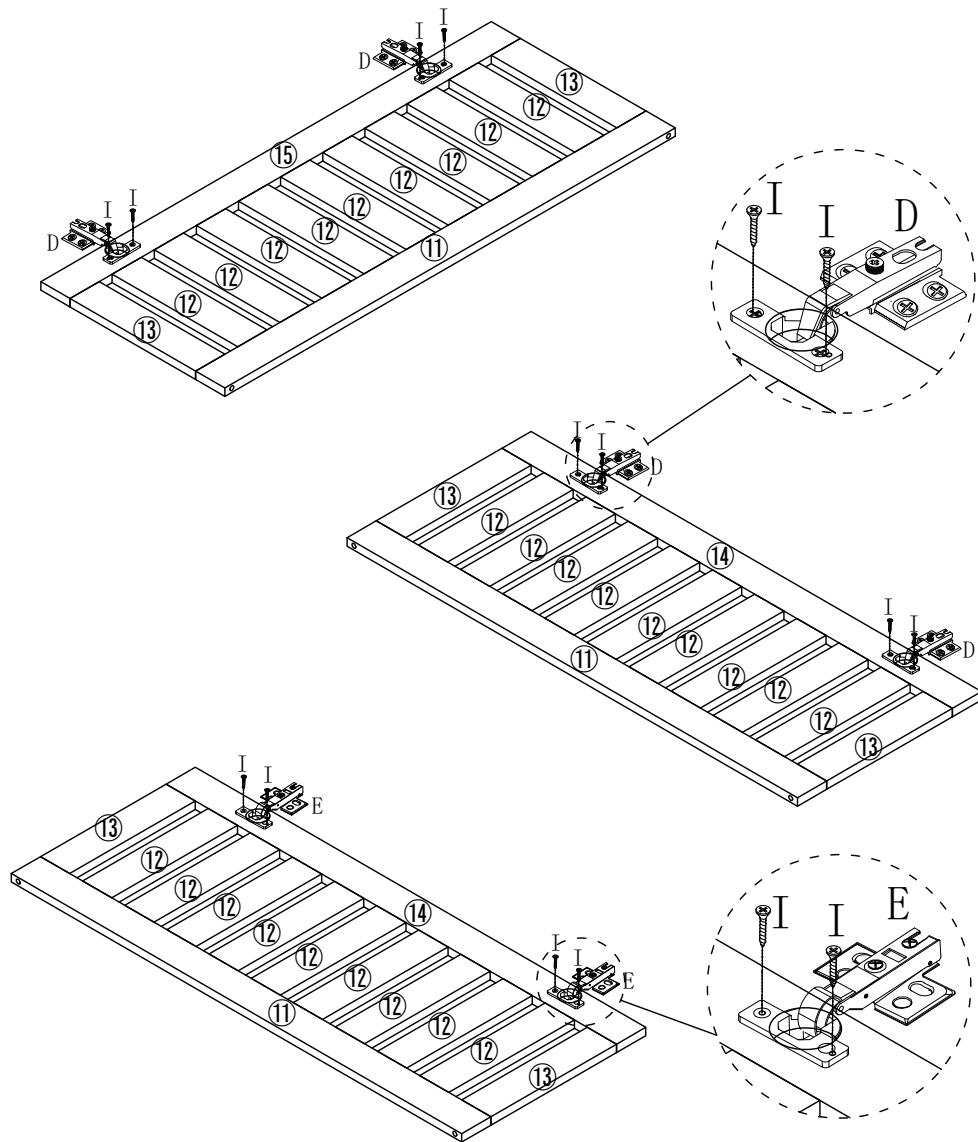
12



Put K, N on board ①④ ⑤

K\*12 N\*12

13

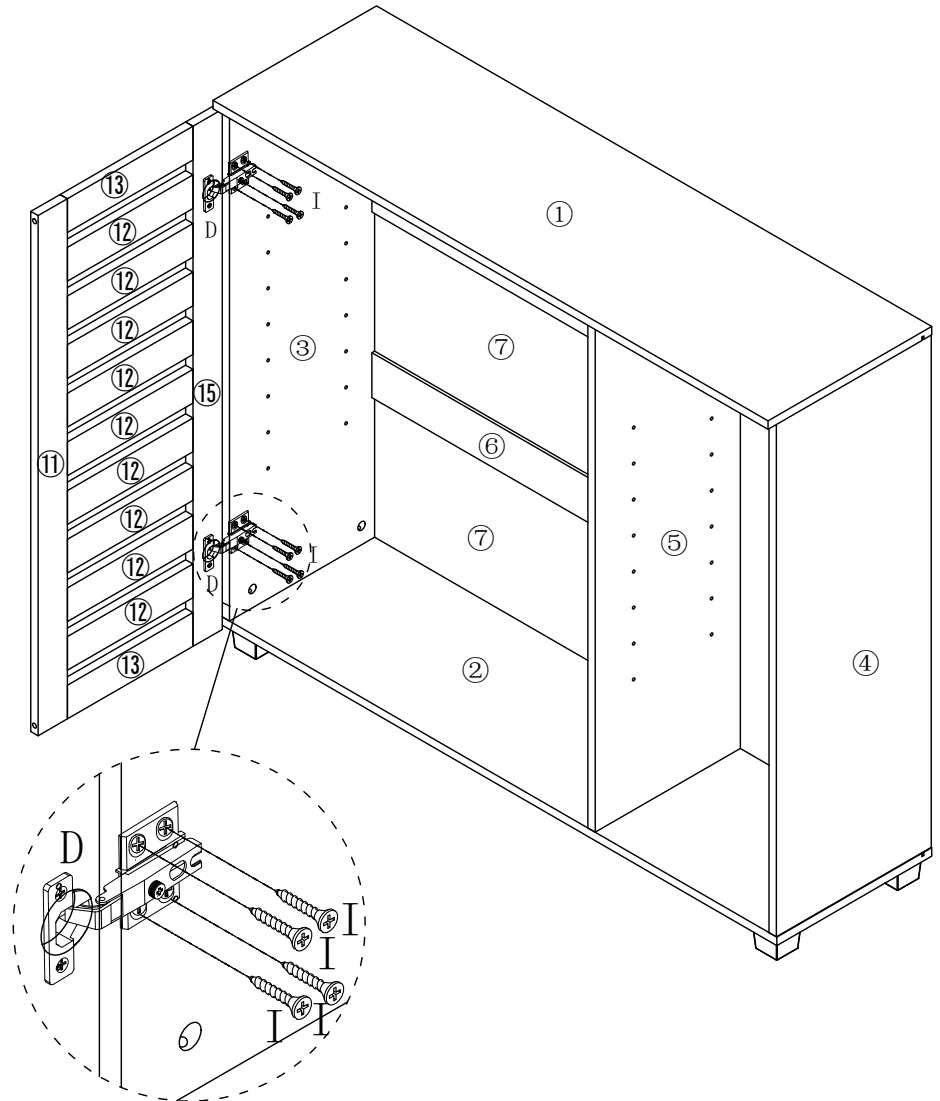


Put I, D on board ⑭ ⑮  
 Put I, E on board ⑭

D\*4 E\*2 I\*12

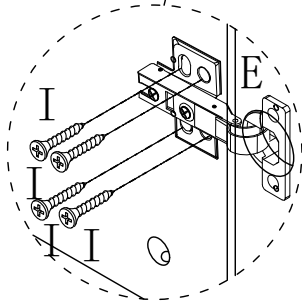
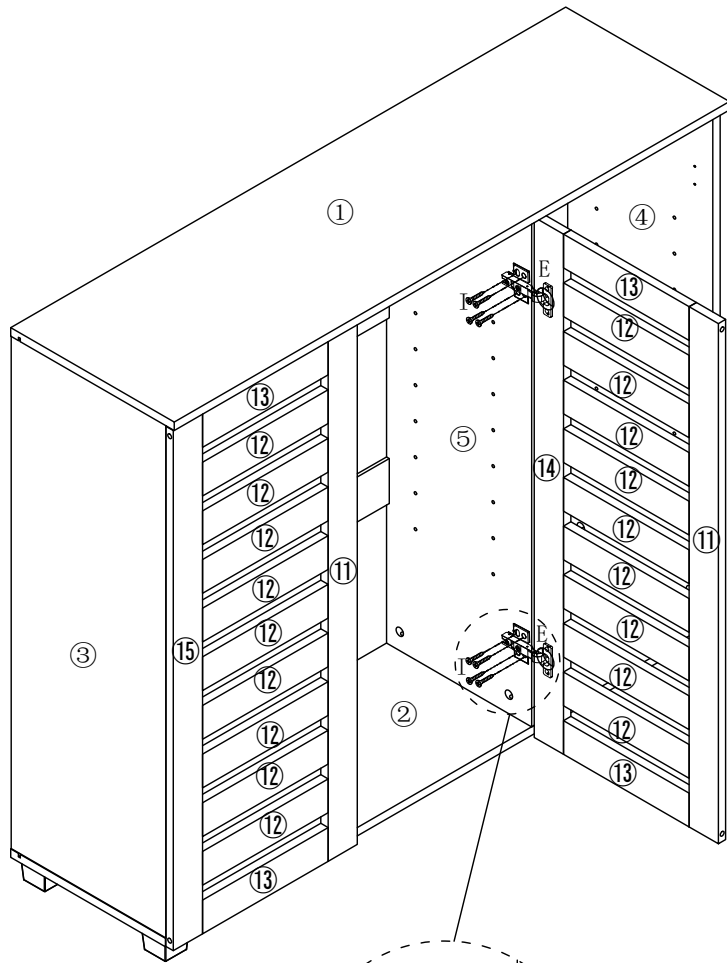
14

Put I, D on board ③



I\*8

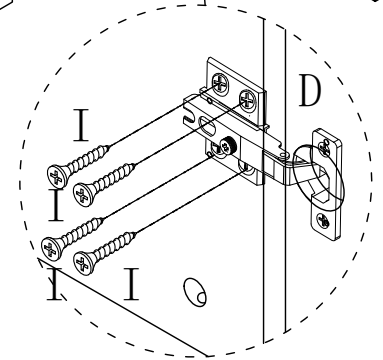
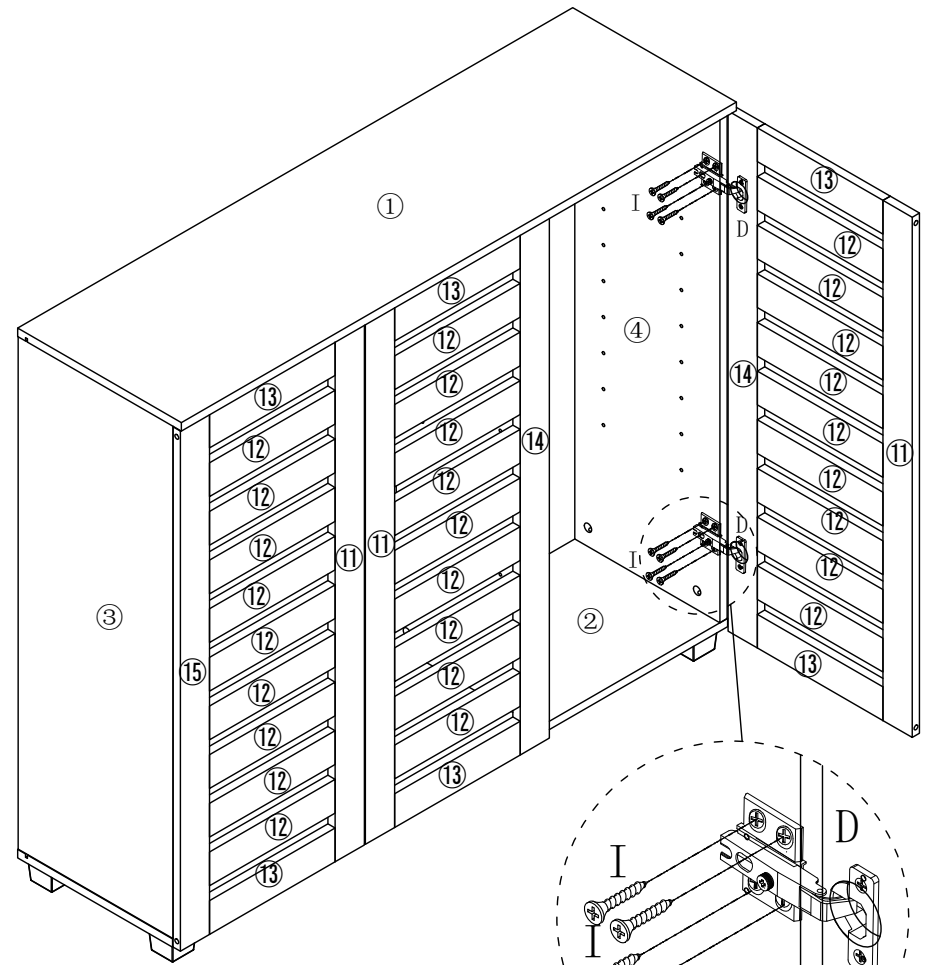
15



Put I, E on board ⑤

I\*8

16

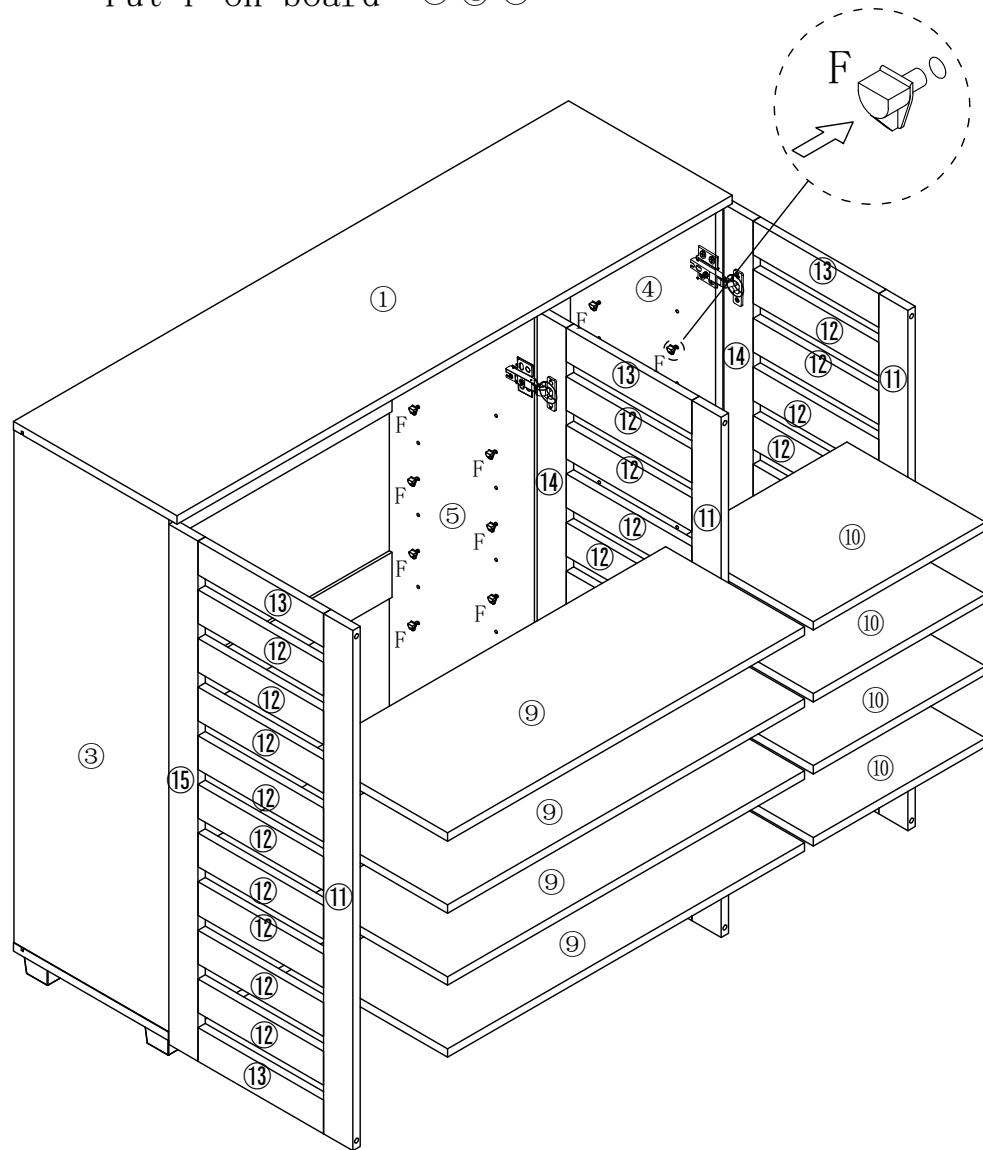


Put I, D on board ④

I\*8

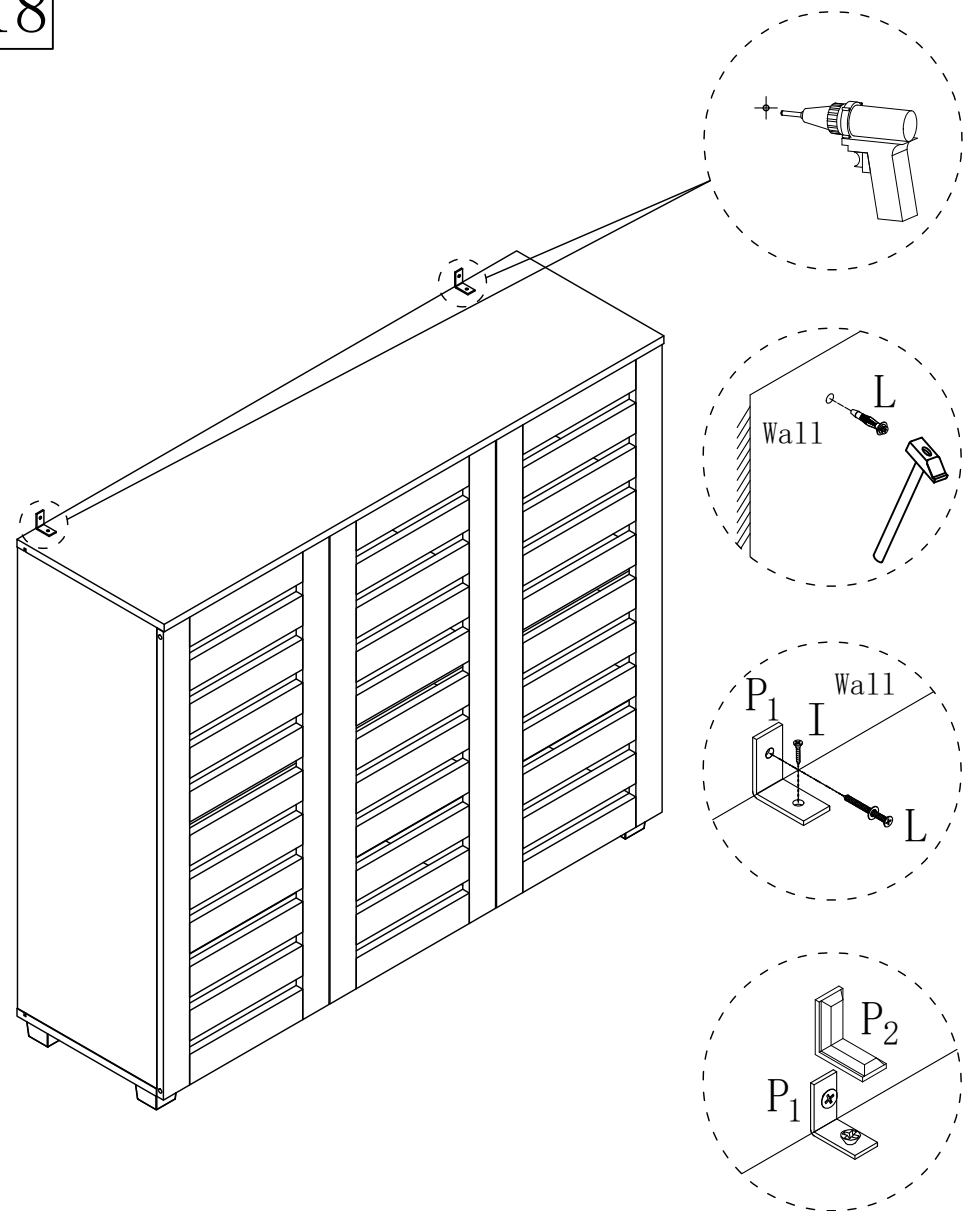
17

Put F on board ③ ④ ⑤



F\*32

18



I\*2 L\*2 P1\*2 P2\*2