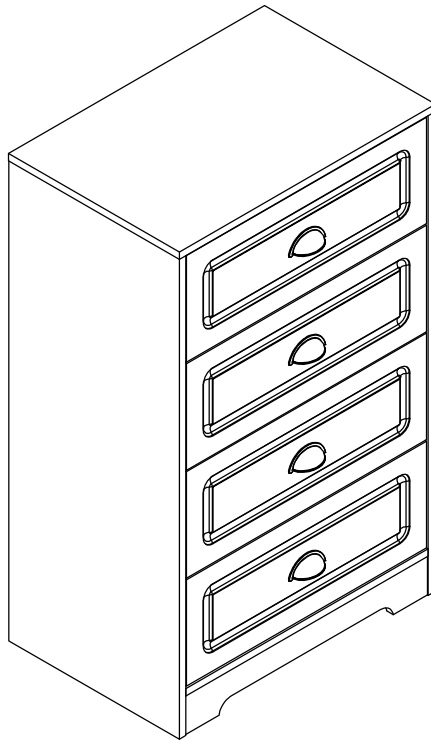


Dresser-4 Drawers



Instruction Manual

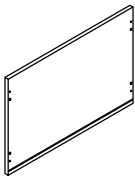


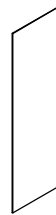
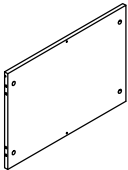
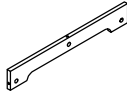
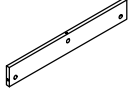
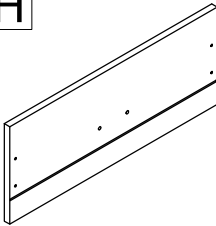
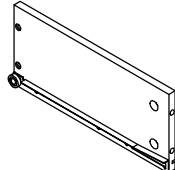
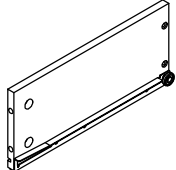
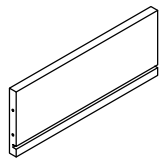
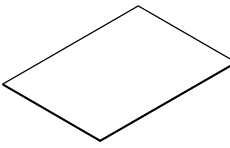
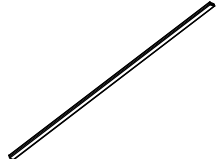
Thank you for shopping with us!

We appreciate your purchase and are ready to be at your service!

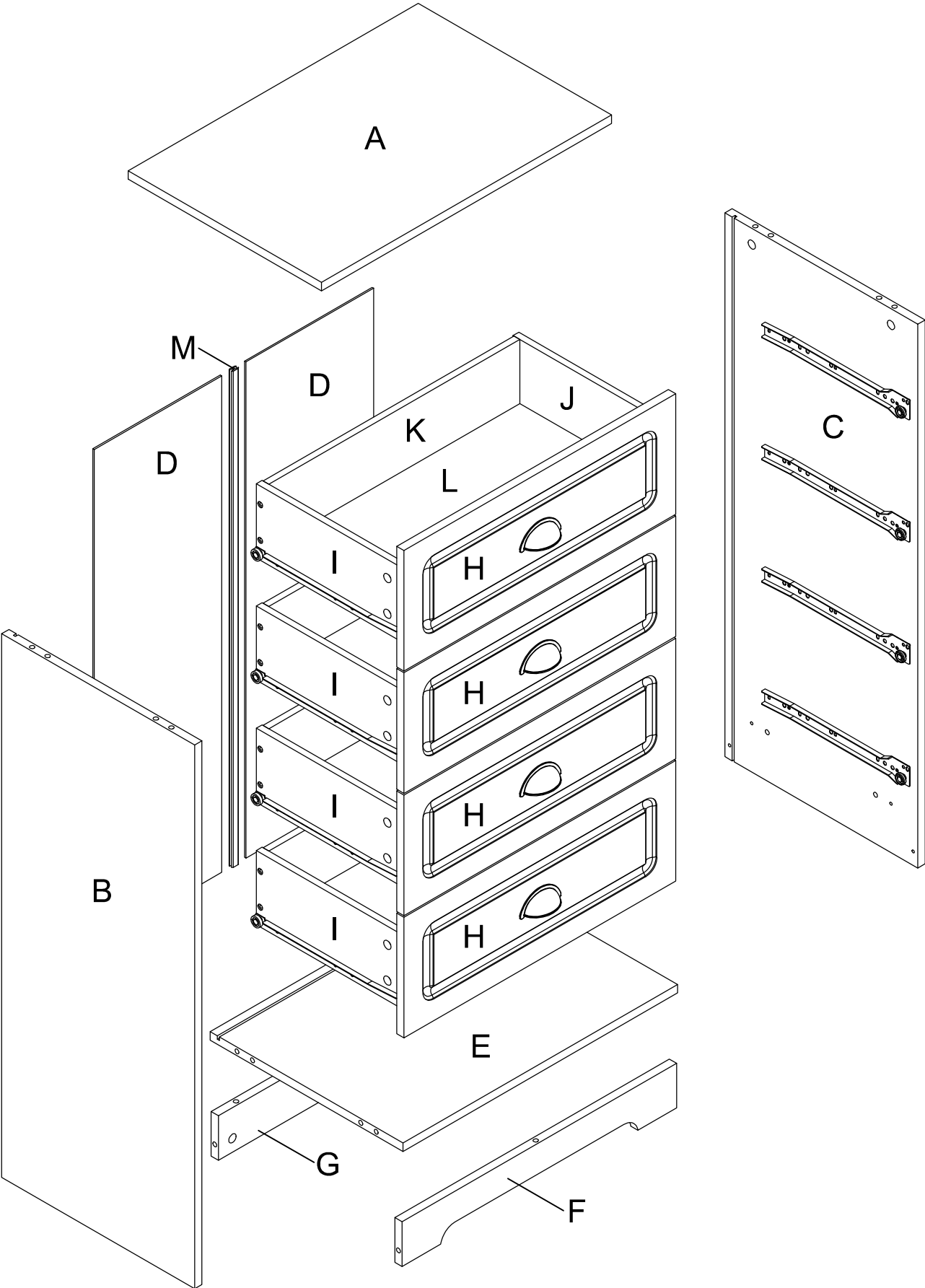
If you find parts missing, broken, or hard to put together or when you are not satisfied or have any valuable suggestions, please do not hesitate to contact us first!

We will definitely give you a satisfactory solution or answer then!







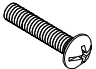
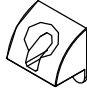

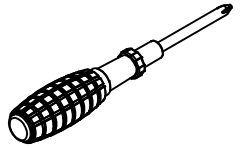
PART LIST

| | | | | |
|---|---|---|---|---|
| A  | B  | C  | D  | E  |
| Top Panel 1 PC | Left Panel 1 PC | Right Panel 1 PC | Back Panel 2 PCS | Bottom Panel 1 PC |
| F  | G  | H  | I  | J  |
| Front Foot Board 1 PC | Rear Foot Board 1 PC | Drawer Front Panel 4 PCS | Drawer Left Panel 4 PCS | Drawer Right Panel 4 PCS |
| K  | L  | M  | | |
| Drawer Back Panel 4 PCS | Drawer Bottom Panel 4 PCS | 877*12*7mm Back Plastic Strip 1 PC | | |

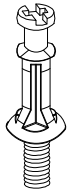
ASSEMBLY OVERVIEW



HARDWARE LIST

| | | | | |
|--|---|---|---|---|
| <p>#1</p>  <p>Ø3.5*15mm</p> | <p>#2</p>  <p>Ø8*30mm</p> | <p>#3</p>  <p>Ø3*30mm</p> | <p>#4</p>  <p>Ø6*35mm</p> | <p>#5</p>  <p>Ø15*9mm</p> |
| <p>Screw</p> | <p>Wood Dowel</p> | <p>Screw</p> | <p>Cam-bolt</p> | <p>Cam-lock</p> |
| <p>4 PCS (Extra 2)</p> | <p>8PCS (Extra 2)</p> | <p>16PCS (Extra 2)</p> | <p>30PCS (Extra 3)</p> | <p>30PCS(Extra 3)</p> |
| <p>#6</p>  <p>78*34*26mm</p> | <p>#7</p>  <p>M4*12mm</p> | <p>#8</p>  | <p>#9</p>  |  |
| <p>Handle</p> <p>4 PCS</p> | <p>Round Head Bolt</p> <p>8 PCS (Extra 2)</p> | <p>Back Bracket</p> <p>4 PCS (Extra 2)</p> | <p>Safety Strap Kit</p> <p>2 SET</p> | <p>Phillips Screwdriver</p> <p>1 PC</p> |

Instructions For Fastening CAM-BOLT and CAM-LOCK

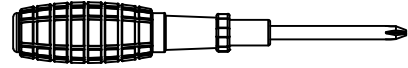


CAM-BOLT

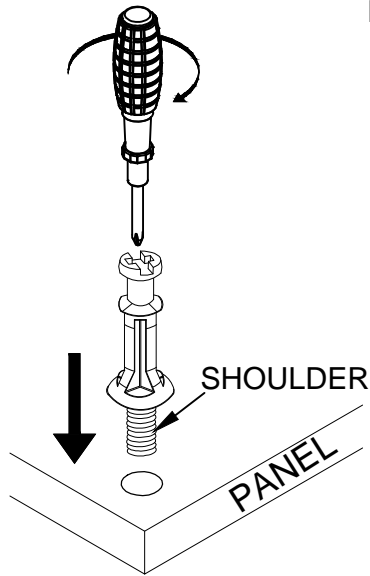


CAM-LOCK

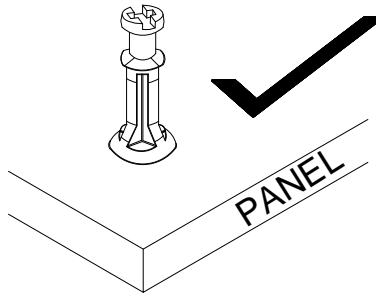
Tools Required



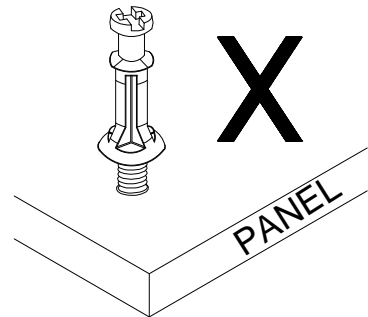
INSERTING AND TIGHTENING CAM-BOLT



Place Cam-bolt on pre-drilled hole and screw in vertically



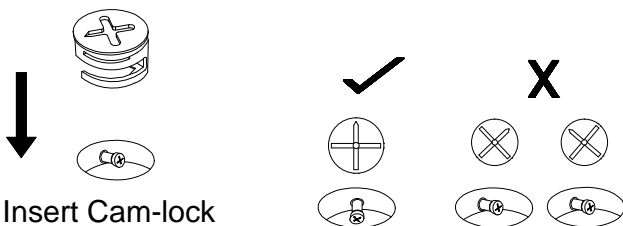
Shoulder is flushed (on the same level) with the panel.



Shoulder is above the panel.

Place Cam-bolt on the designated pre-drilled holes on the panel. Use a Phillips Screwdriver to screw-in Cam-bolt vertically until shoulder is flushed (on the same level) with panel.

INSERTING CAM-LOCK



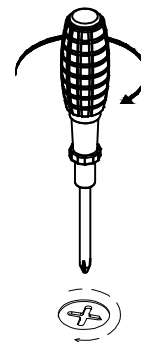
Insert Cam-lock with arrow align to Cam-bolt head

CORRECT

WRONG

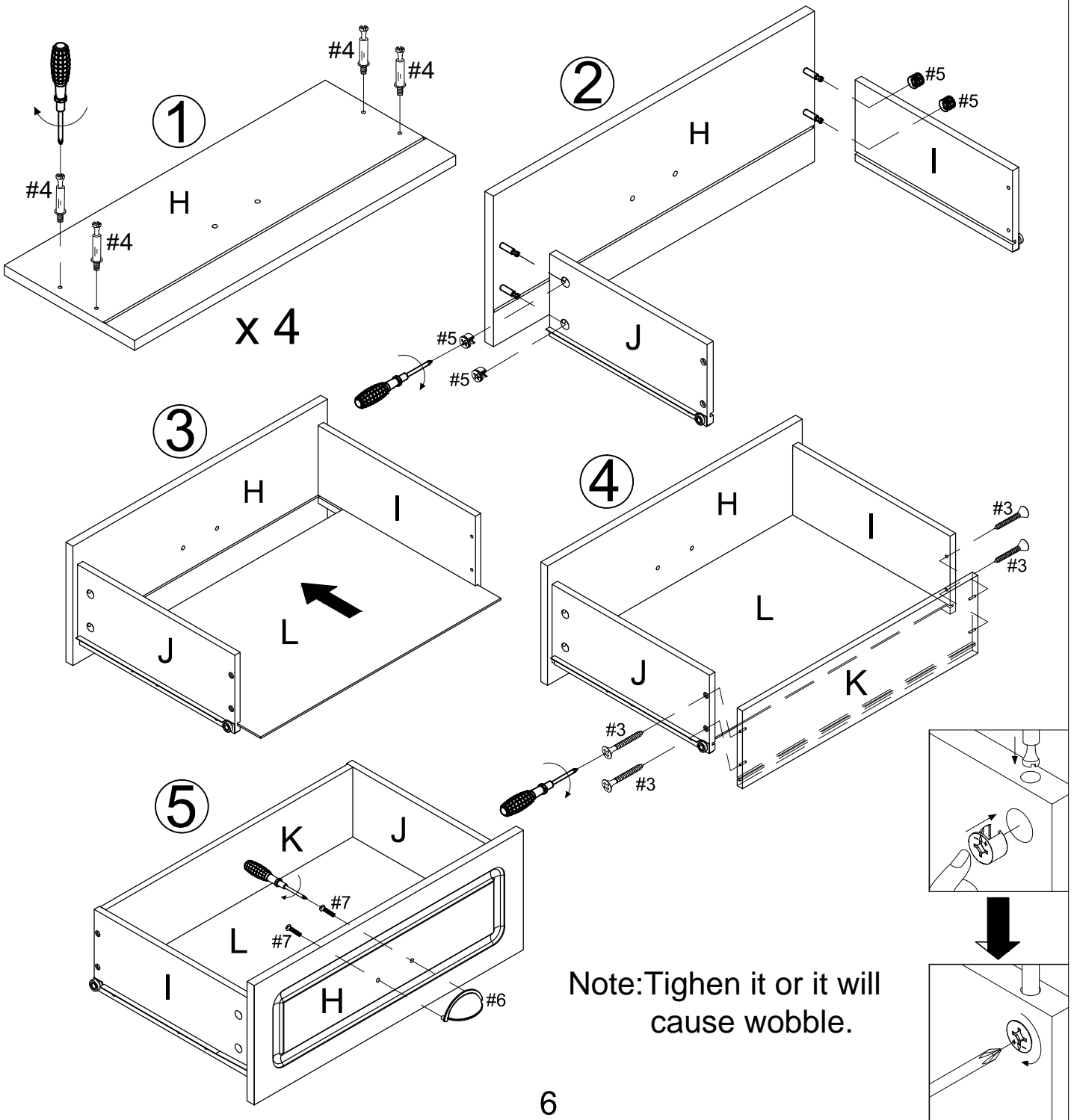
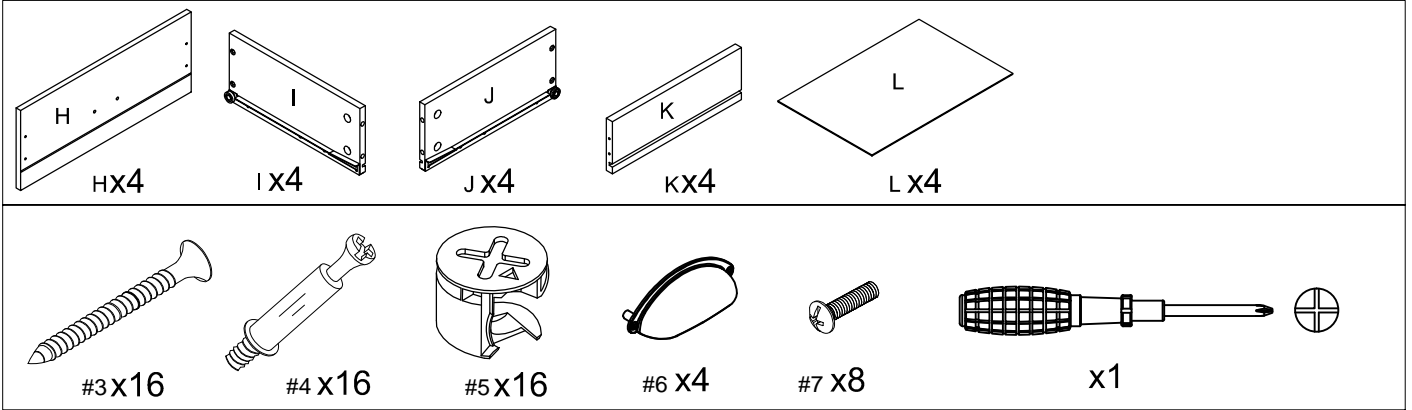
Align the arrow on the Cam-lock to the Cam-bolt head and insert the Cam-lock. Ensure Cam-lock is fully inserted.

TIGHTENING CAM-LOCK

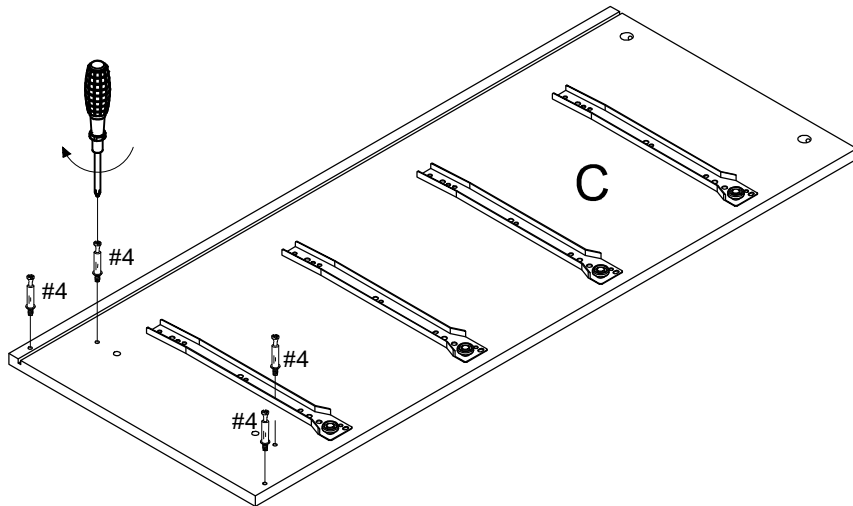
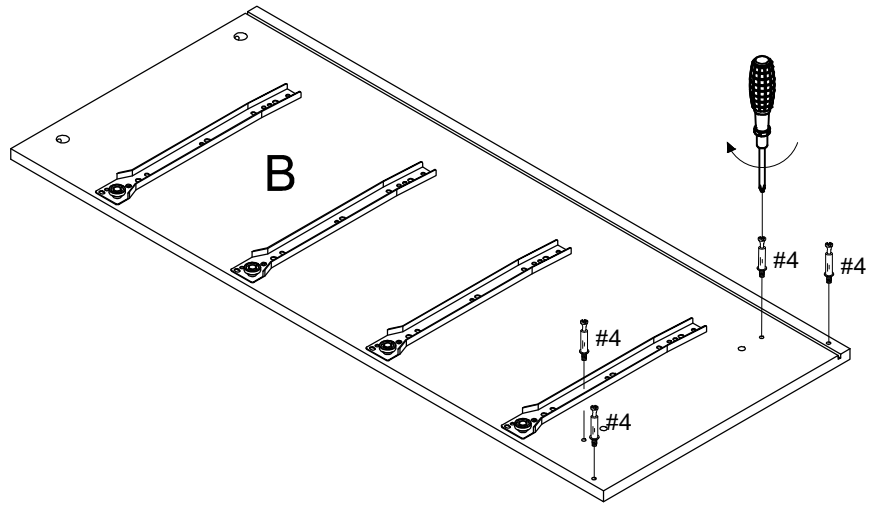
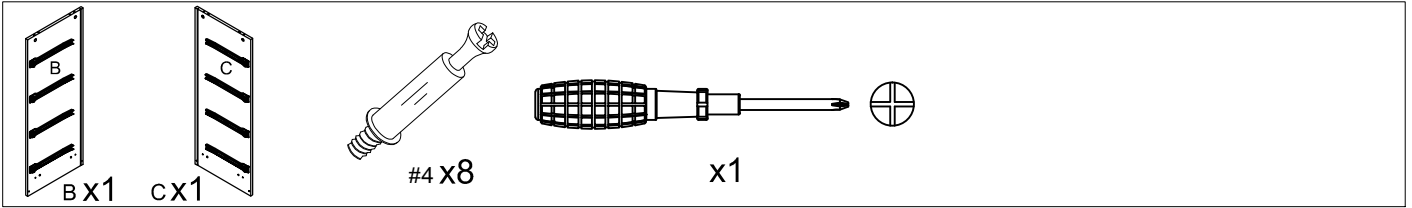


Use a Flat-head Screwdriver to turn Camlock clockwise so it locks onto the head of the Cam-bolt. Turn until it is snug (about 3/4ths of a turn) -- over-tightening could damage Cam-lock or/and Cam-bolt.

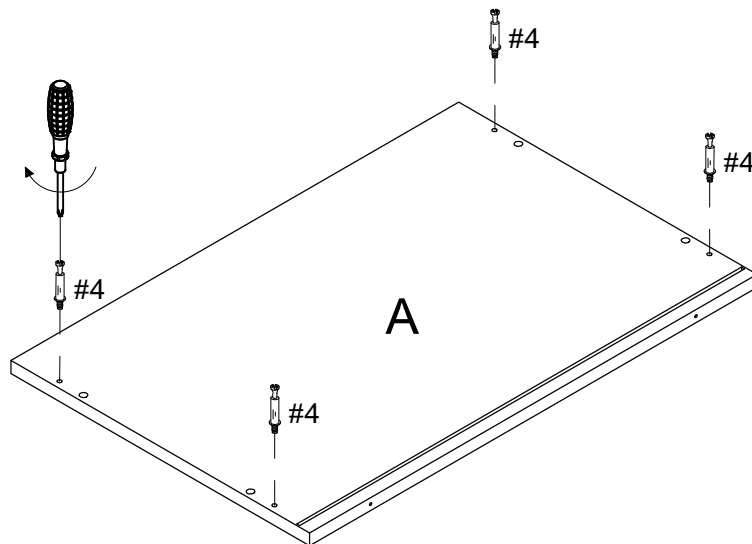
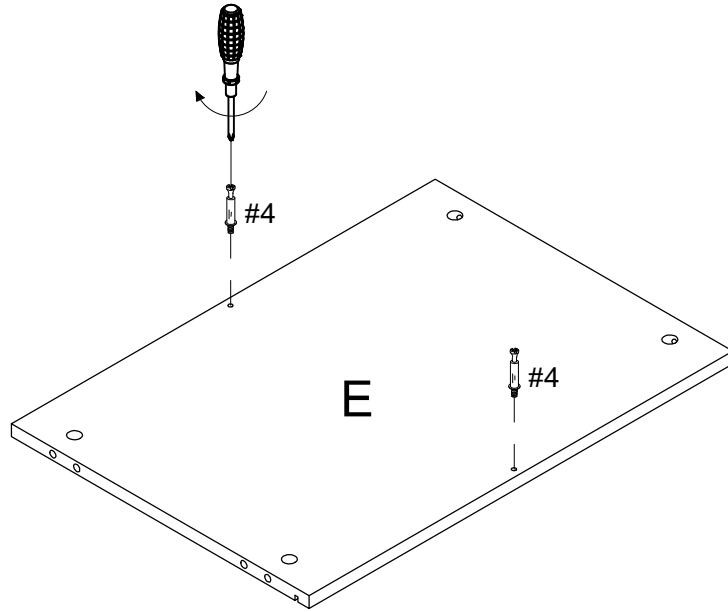
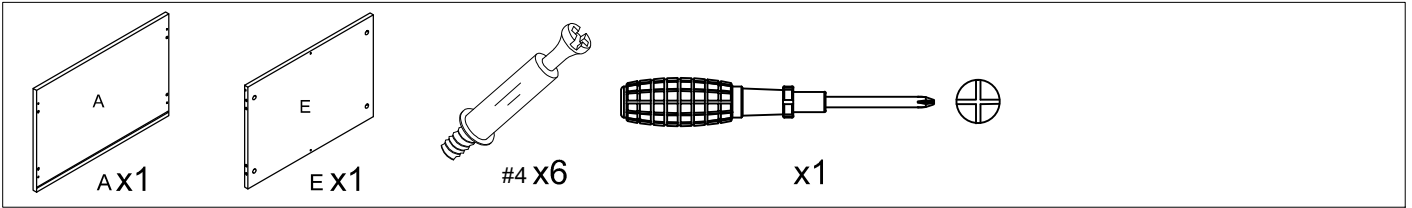
Step 1.



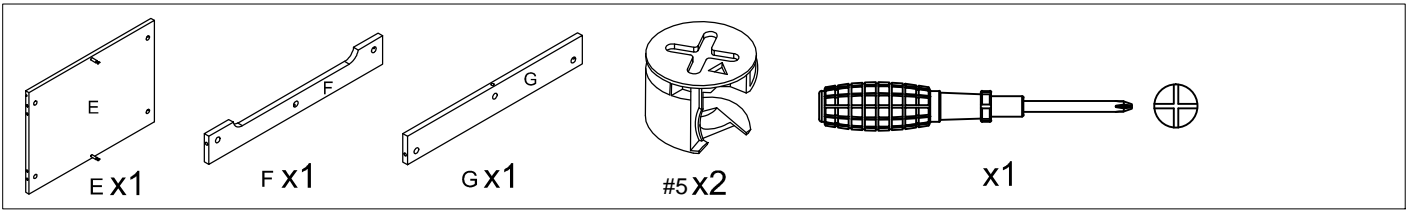
Step 2.



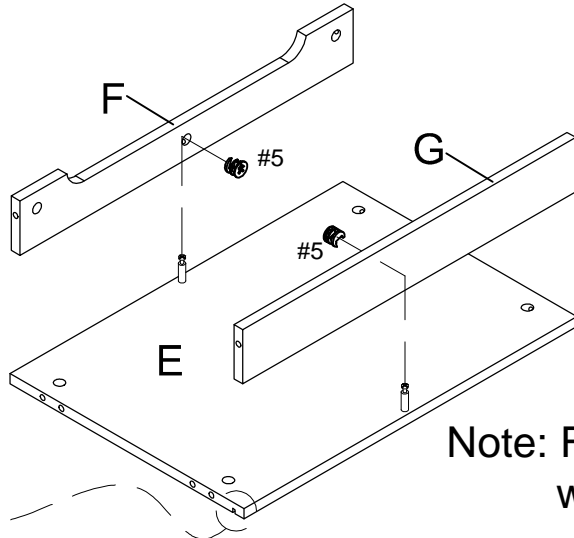
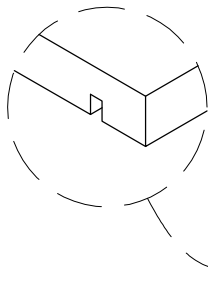
Step 3.



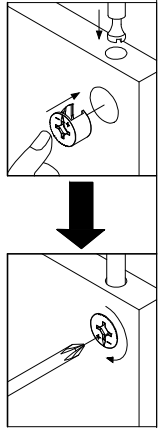
Step 4.



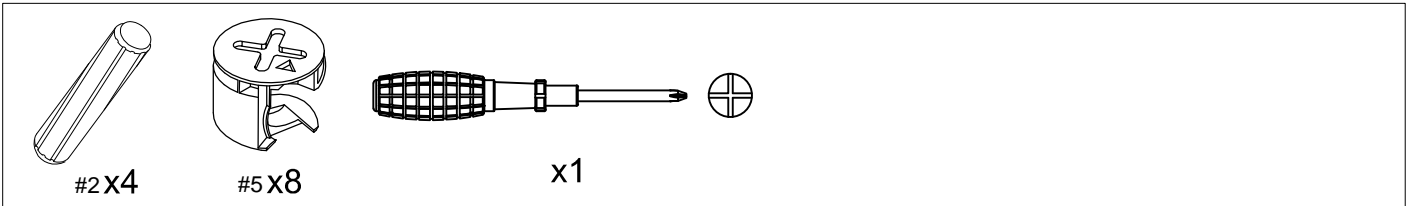
Back groove is on the opposite side.



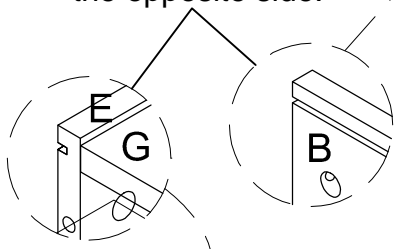
Note: Fully Tighten or it will cause wobble.



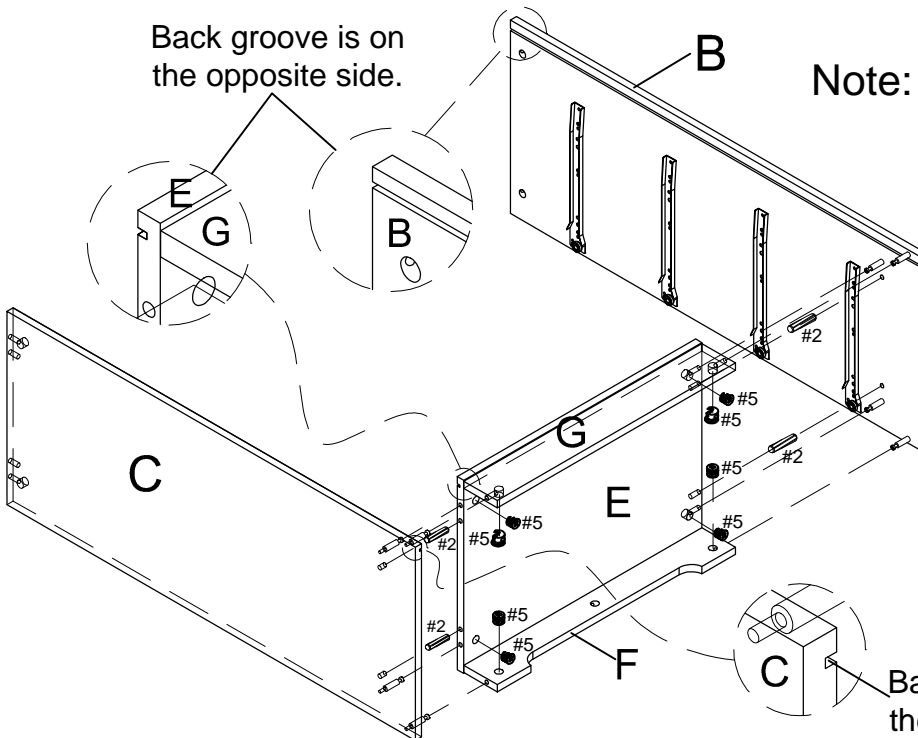
Step 5.



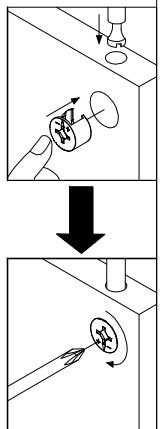
Back groove is on the opposite side.



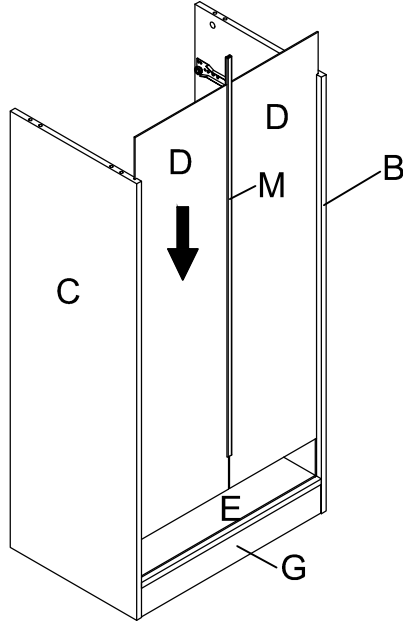
Note: Fully Tighten or it will cause wobble.



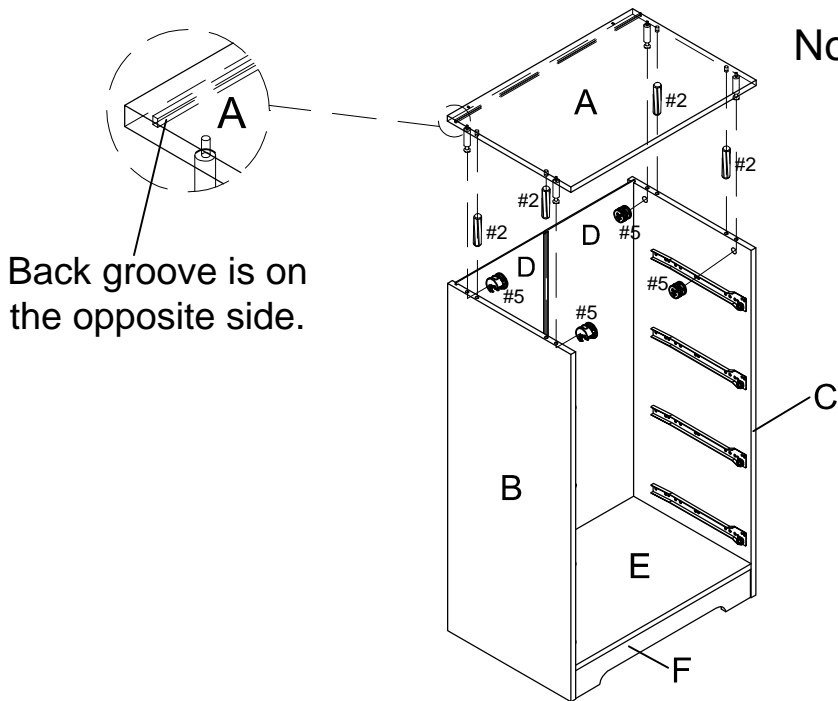
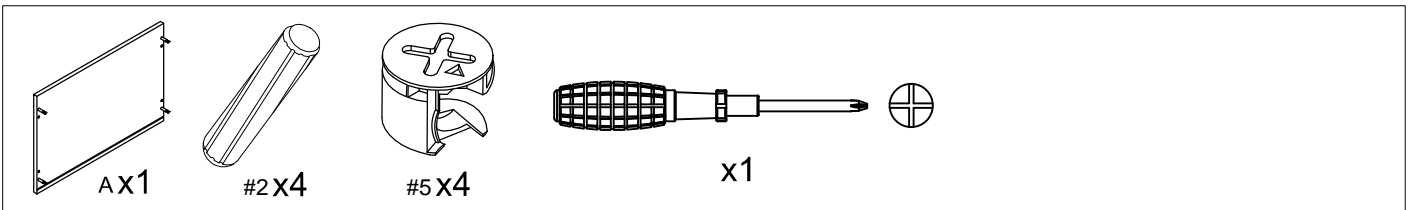
Back groove is on the opposite side.



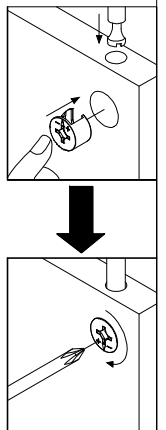
Step 6.



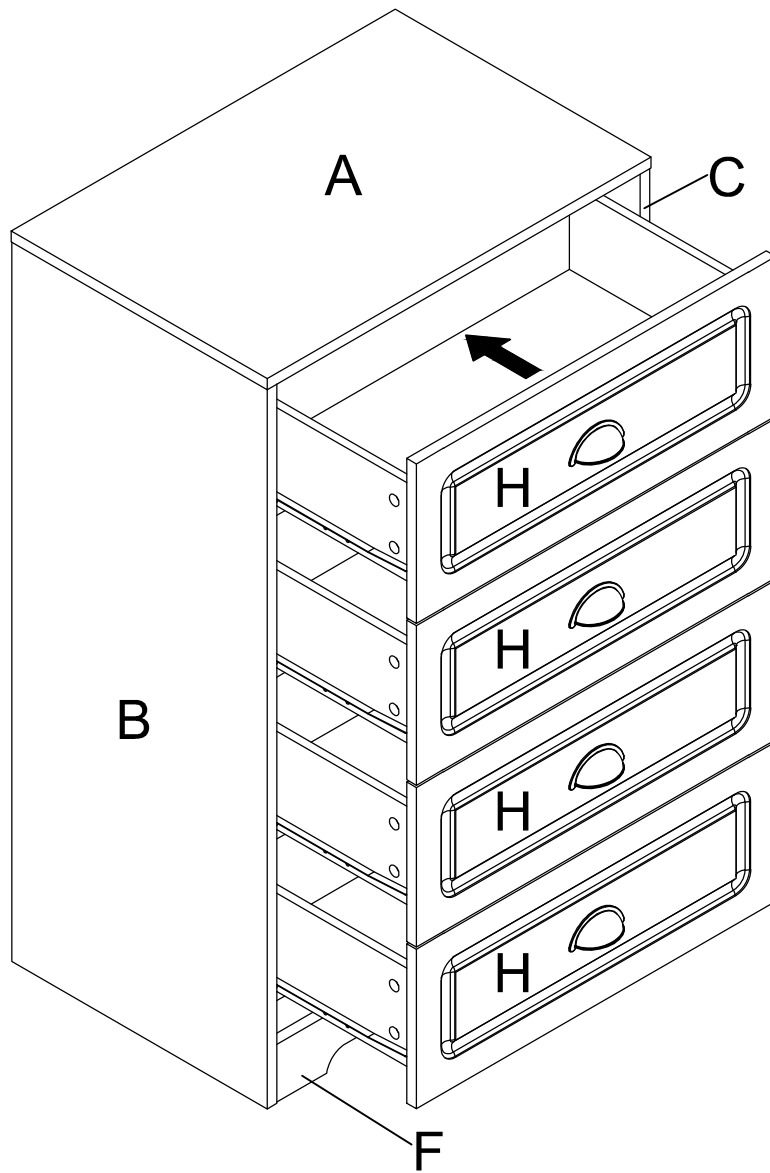
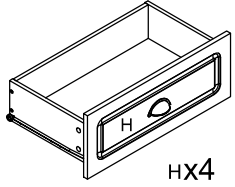
Step 7.



Note: Fully Tighen or it will cause wobble.



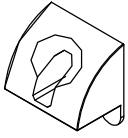
Step 8.



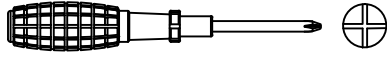
Step 9.



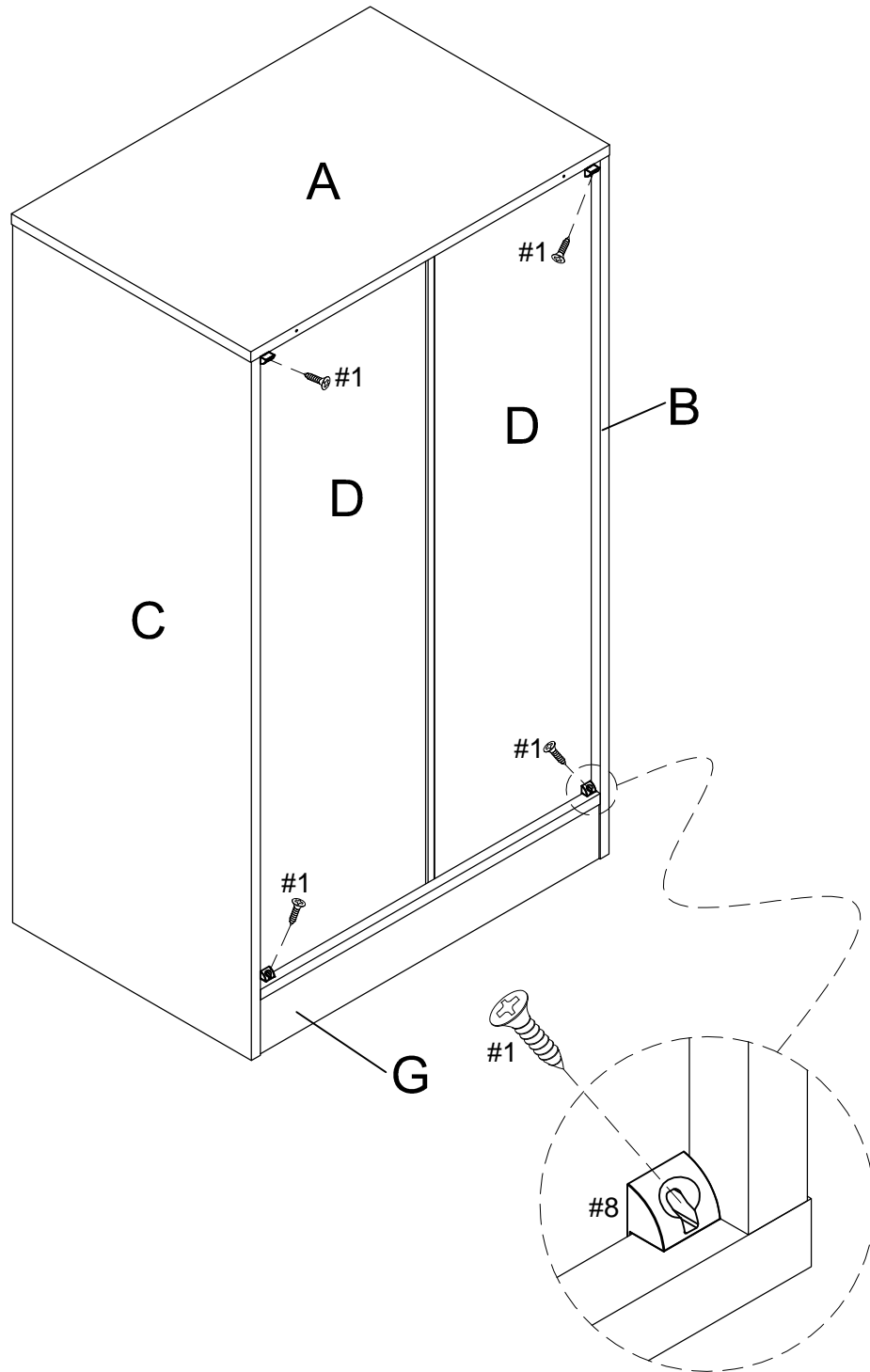
#1 x4



#8 x4



x1



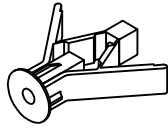
#9



Safety Strap Kit

2 SET

A



Wall Anchor

2 PCS

B



Washer

4 PCS

C



D8*3/4"

Short Screw

2 PCS

D

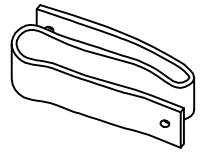


D8*1-1/2"

Long Screw

2 PCS

E



Safety Wall Strap

2 PCS

Wall

